



US00D743144S

(12) **United States Design Patent**  
**Swan**

(10) **Patent No.:** **US D743,144 S**  
(45) **Date of Patent:** **\*\* Nov. 17, 2015**

(54) **ATHLETIC SKIRT**

(71) Applicant: **Glenda Swan**, Bloomington, MN (US)

(72) Inventor: **Glenda Swan**, Bloomington, MN (US)

(\*\*) Term: **14 Years**

(21) Appl. No.: **29/454,546**

(22) Filed: **May 10, 2013**

(51) **LOC (10) Cl.** ..... **02-02**

(52) **U.S. Cl.**

USPC ..... **D2/738; D2/851**

(58) **Field of Classification Search**

USPC ..... **D2/731, 735, 738, 742, 851; 2/227, 2/228, 238, 47**

See application file for complete search history.

(56) **References Cited**

**U.S. PATENT DOCUMENTS**

1,024,181	A *	4/1912	Carrabine	2/67
1,396,203	A *	11/1921	Heinrich	2/212
1,994,990	A *	3/1935	Flesh	450/33
2,091,441	A *	8/1937	Hauser	2/212
2,613,363	A *	10/1952	Morgan	2/212
4,498,200	A *	2/1985	Livingstone	2/247

(Continued)

**FOREIGN PATENT DOCUMENTS**

CH 000121323 A \* 7/1927

*Primary Examiner* — Rashida Johnson

(74) *Attorney, Agent, or Firm* — Skinner and Associates; Joel Skinner

(57) **CLAIM**

The ornamental design for an athletic skirt, as shown and described.

**DESCRIPTION**

FIG. 1 is a perspective view of an athletic skirt showing an embodiment of the design of this invention, the outer skirt being rolled up around the waist of the shorts for exercising.

FIG. 2 is a front view thereof.

FIG. 3 is a back view thereof.

FIG. 4 is a side view thereof, the opposite side being symmetrical.

FIG. 5 is a top view thereof.

FIG. 6 is a bottom view thereof.

FIG. 7 is a perspective view of the athletic skirt with the skirt shown unrolled and let down when not exercising.

FIG. 8 is a front view thereof.

FIG. 9 is a back view thereof.

FIG. 10 is a side view thereof, the opposite side being symmetrical.

FIG. 11 is a top view thereof.

FIG. 12 is a bottom view thereof.

FIG. 13 is a perspective view of an athletic skirt, showing an alternative embodiment of the design, the outer skirt being rolled up around the waist of the shorts.

FIG. 14 is a front view thereof.

FIG. 15 is a back view thereof.

FIG. 16 is a side view thereof, the opposite side being symmetrical.

FIG. 17 is a top view thereof.

FIG. 18 is a bottom view thereof.

FIG. 19 is a perspective view of the athletic skirt of FIGS. 13-18, wherein the skirt is unrolled and let down.

FIG. 20 is a front view thereof.

FIG. 21 is a back view thereof.

FIG. 22 is a side view thereof, the opposite side being symmetrical.

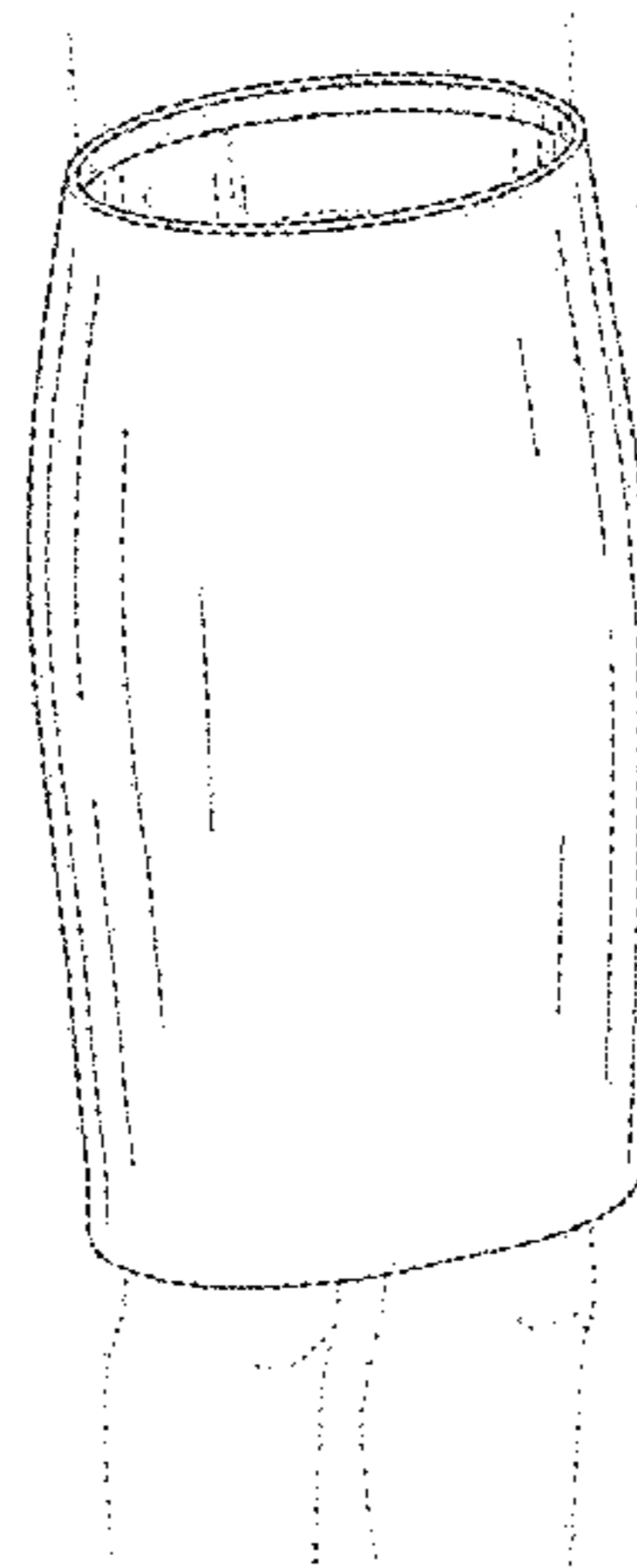
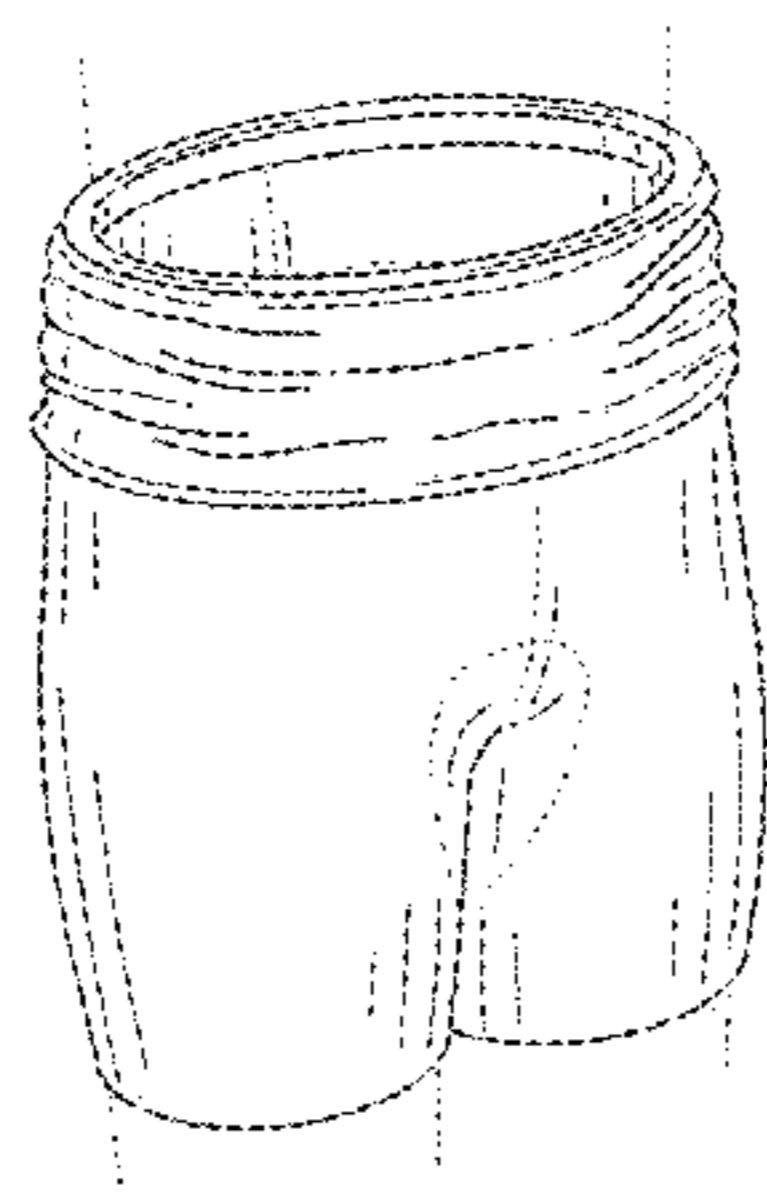
FIG. 23 is a top view thereof; and,

FIG. 24 is a bottom view thereof.

The broken lines shown in all of the drawing Figures in this application are for illustrative purposes only and form no part of the claimed design.

The design is for women's apparel worn during athletic activities, such as riding a bicycle, as well as before and after athletic activity. The athletic skirt includes an inner shorts and an outer skirt that can be rolled up around the waist for athletic wear or let down for casual wear.

**1 Claim, 14 Drawing Sheets**



# US D743,144 S

Page 2

---

(56)

## References Cited

### U.S. PATENT DOCUMENTS

D402,440 S	*	12/1998	Marks	.....	D2/851				
6,145,132 A	*	11/2000	Towner	.....	2/400				* cited by examiner
6,161,222 A	*	12/2000	Strickland et al.	.....	2/228				
D456,995 S	*	5/2002	Baker	.....	D2/614				
D503,513 S	*	4/2005	McCarthy	.....	D2/735				
2012/0090076 A1	*	4/2012	Kenney et al.	.....	2/212				

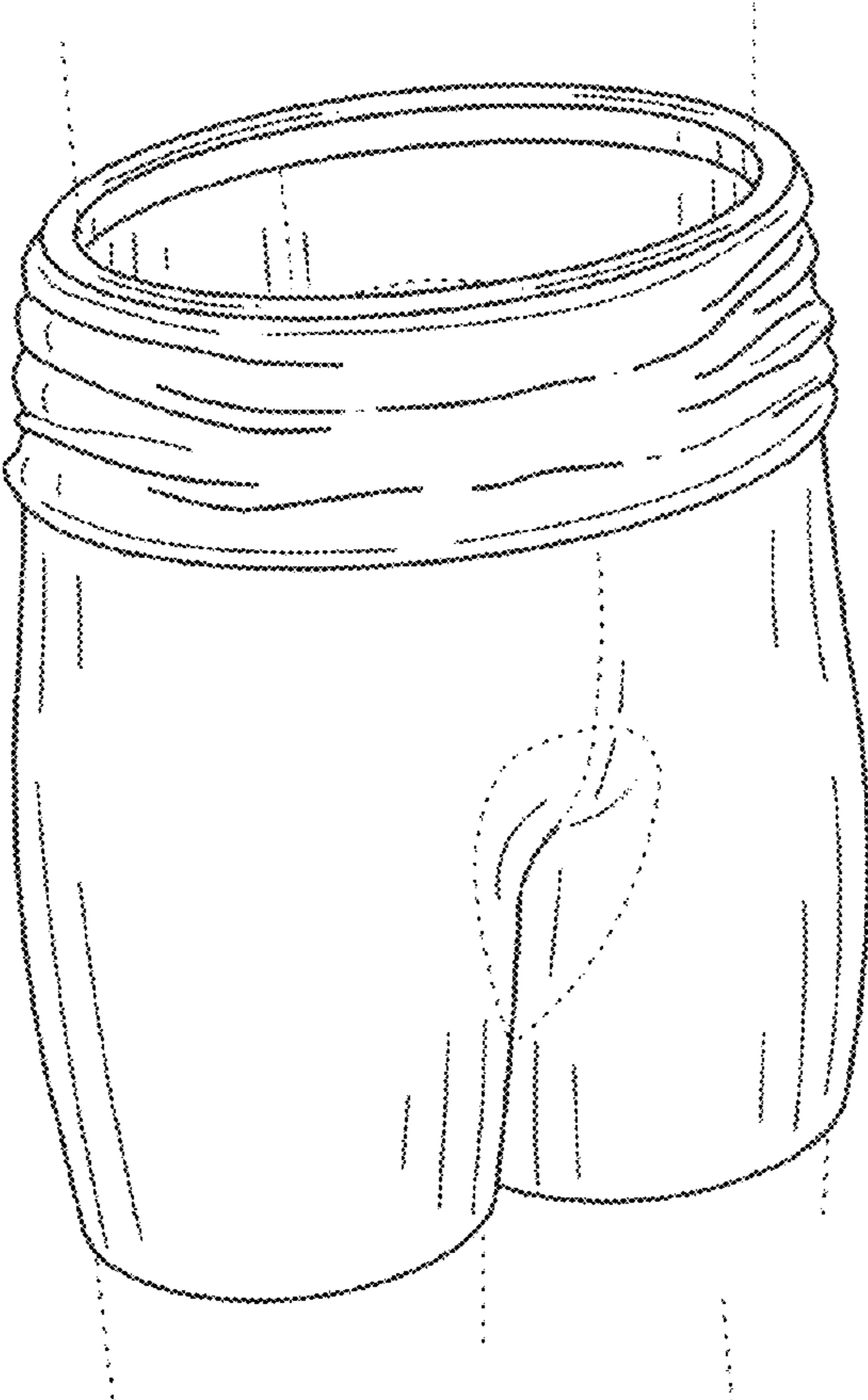


FIG. 1

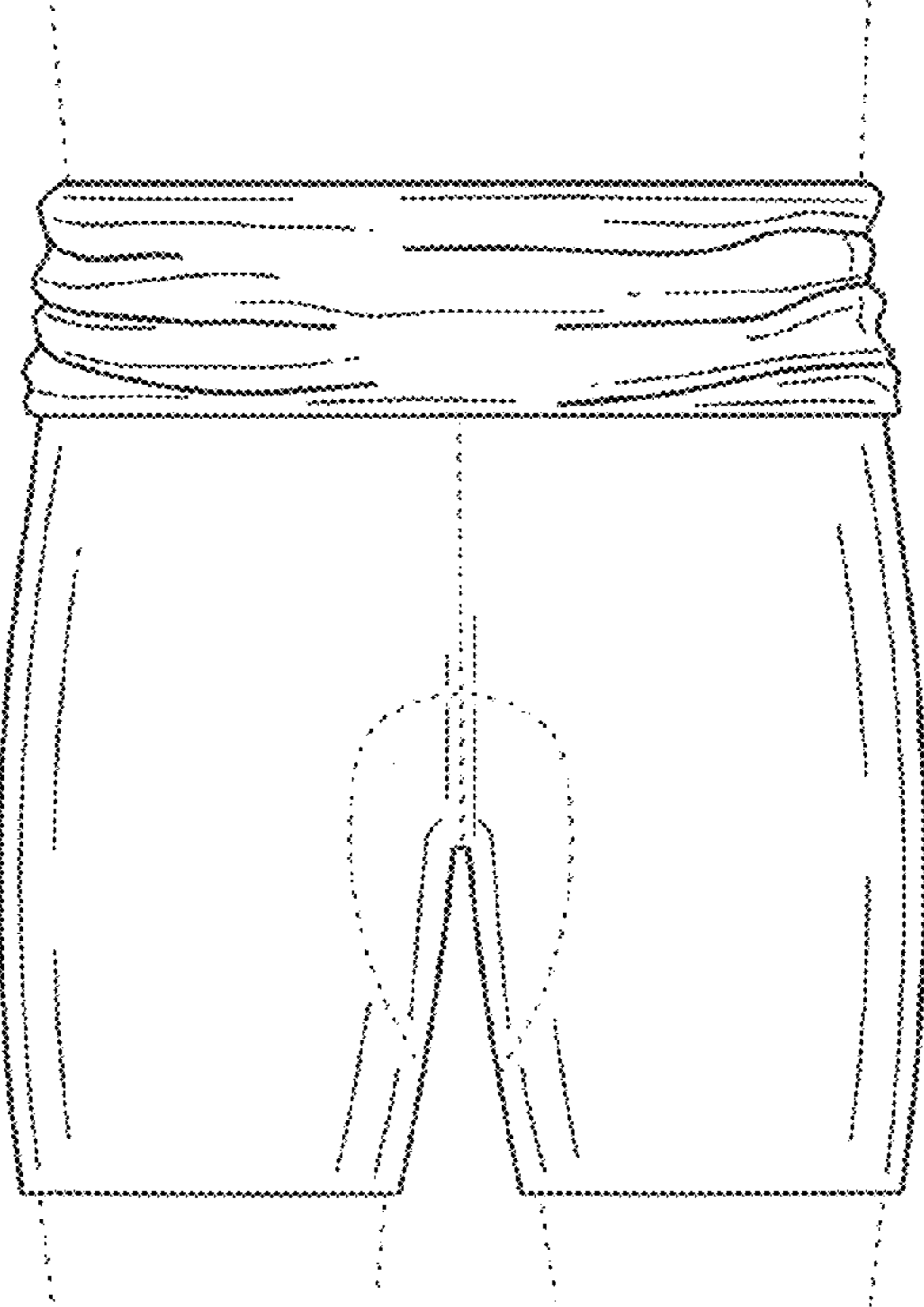


FIG. 2

FIG. 3

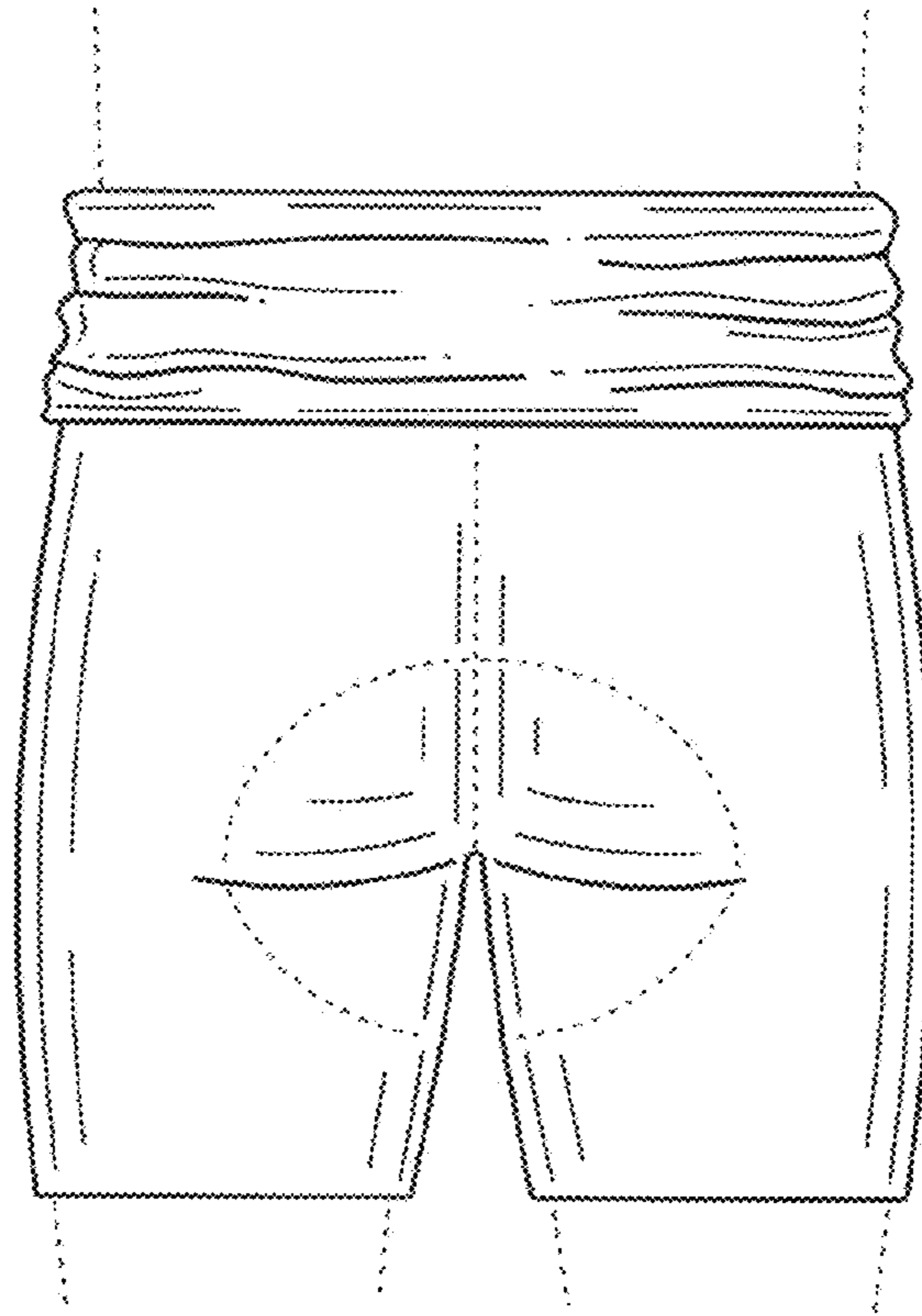
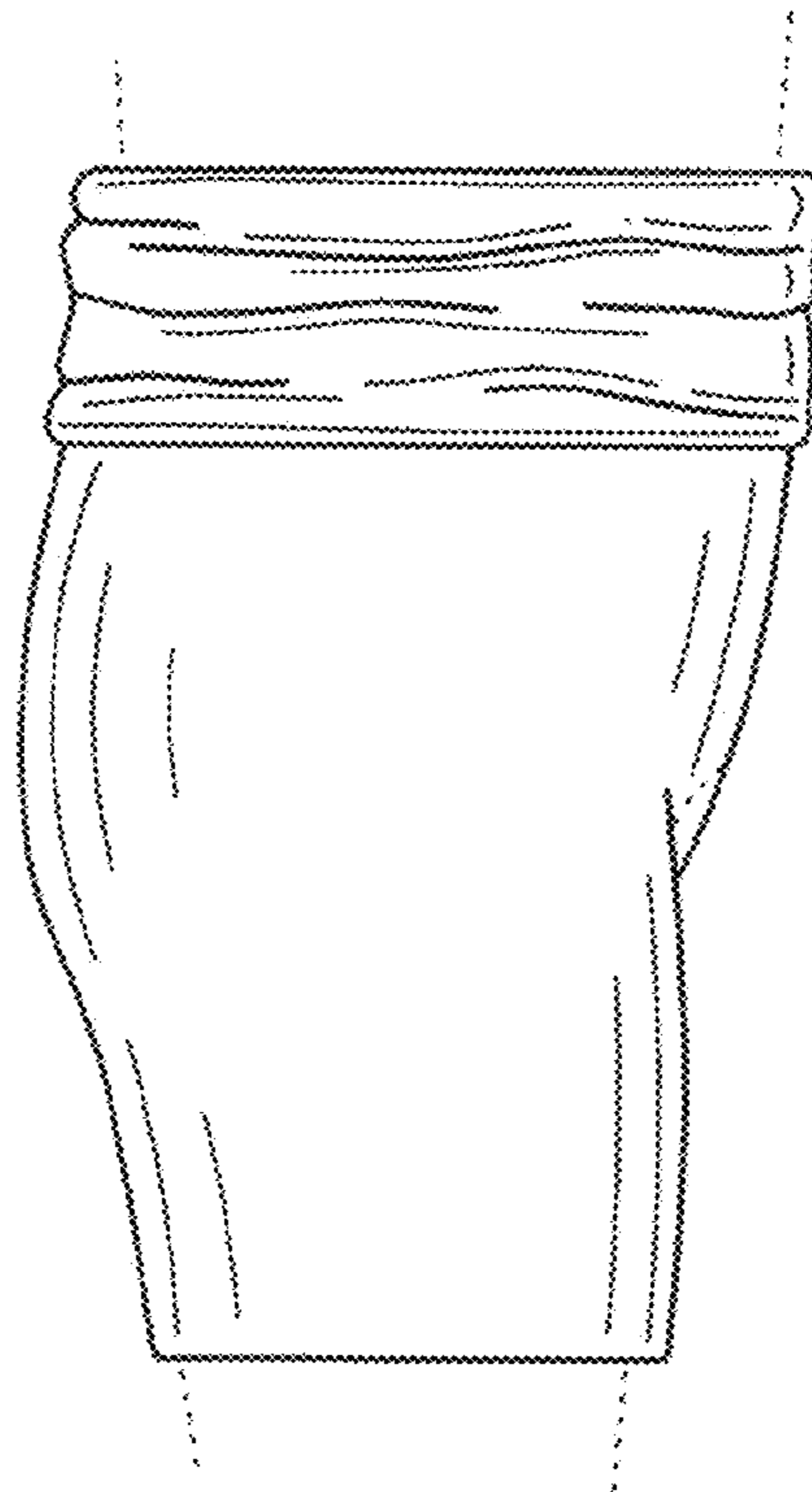


FIG. 4



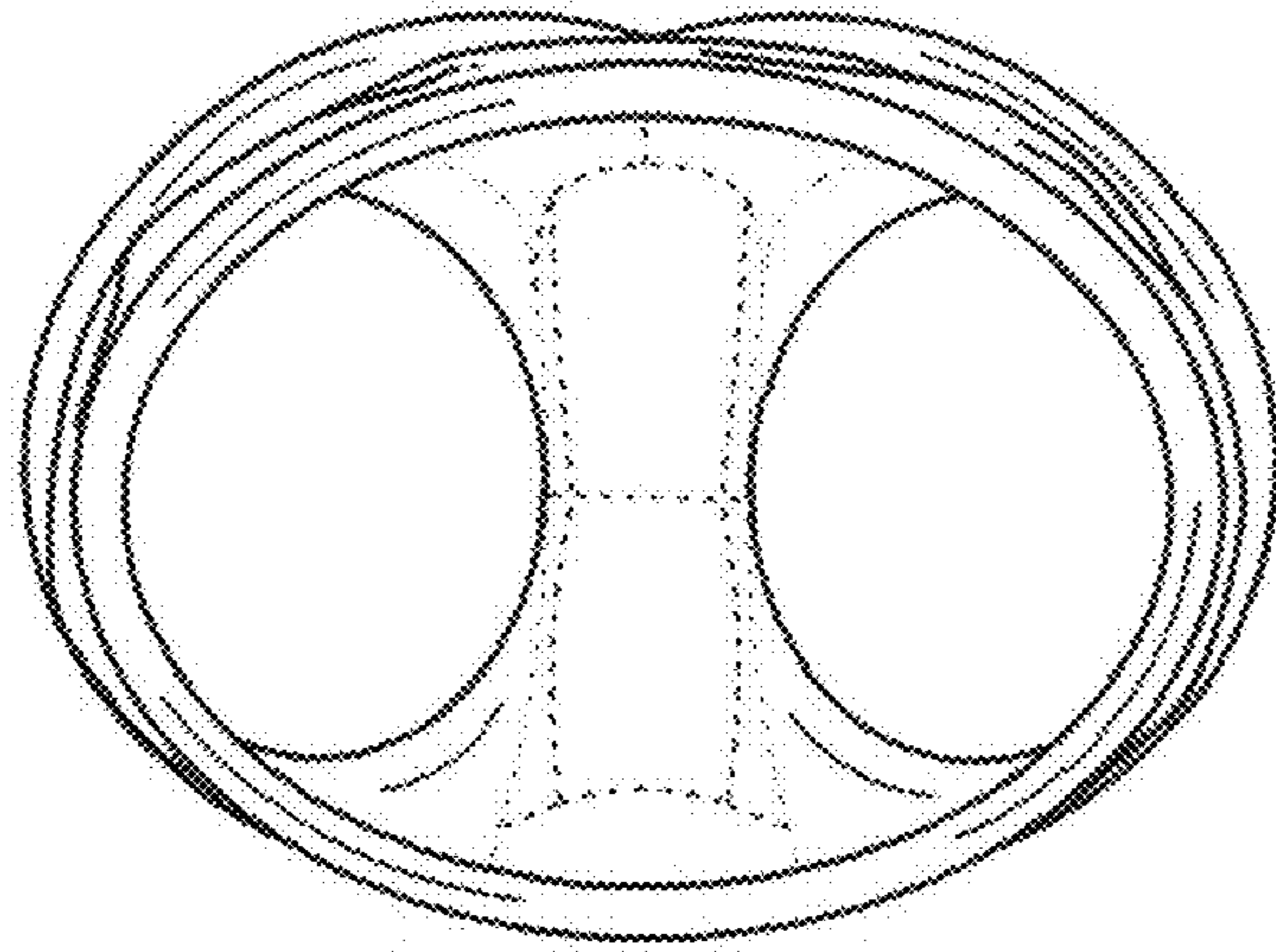


FIG. 5

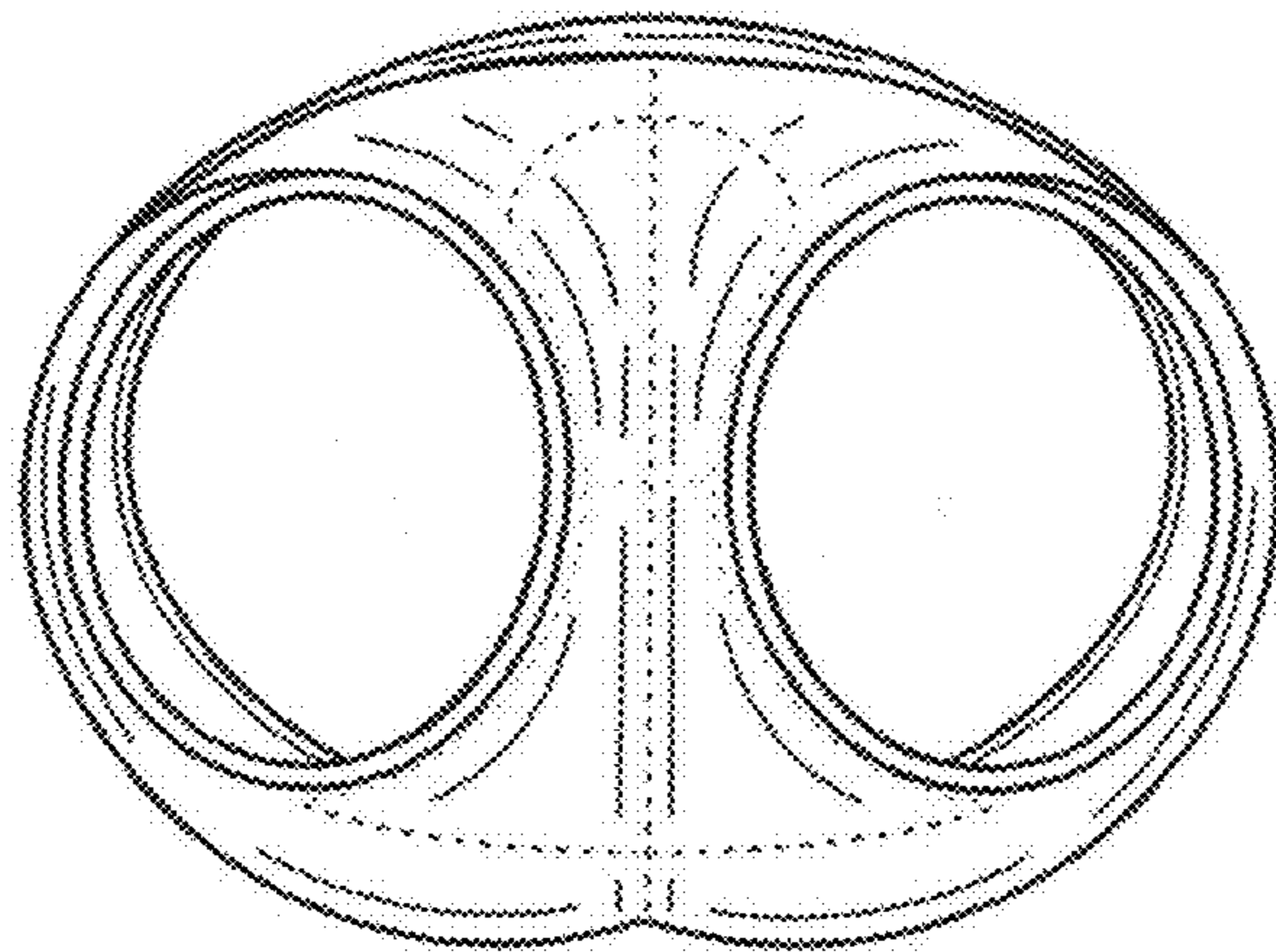


FIG. 6

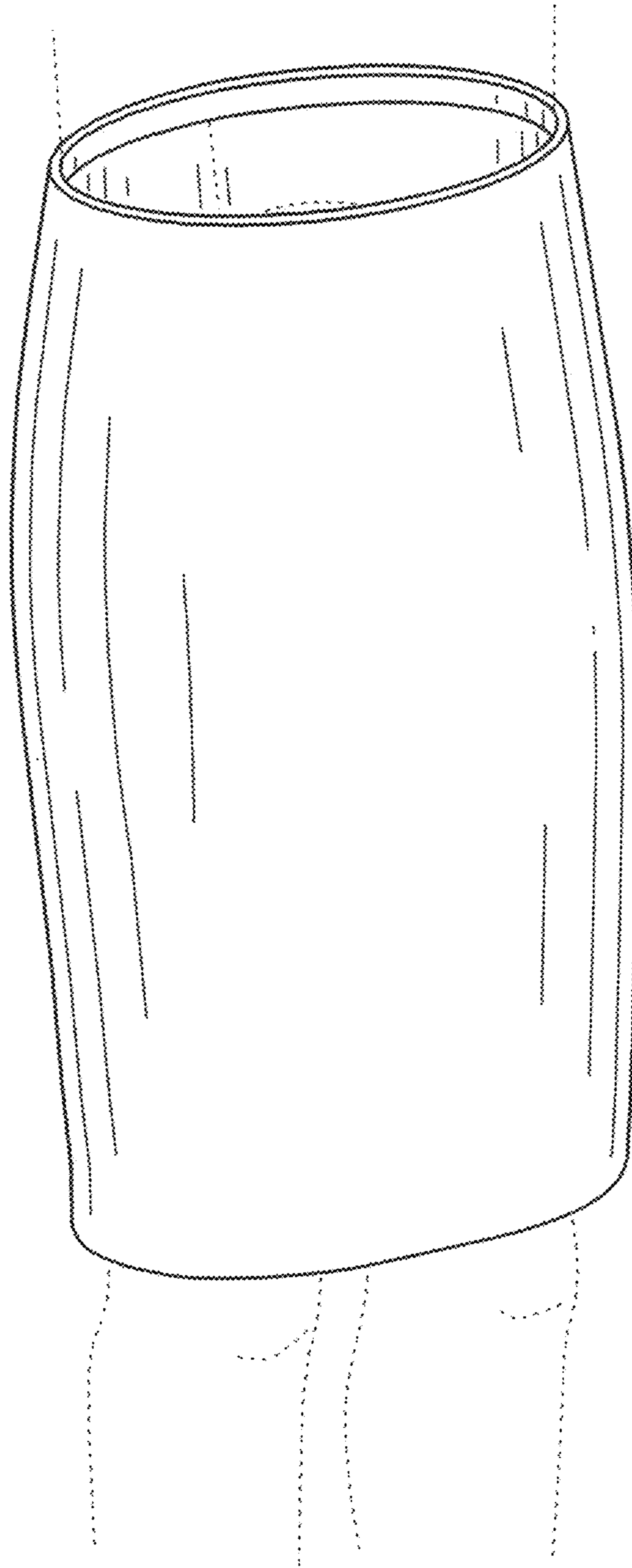


FIG. 7

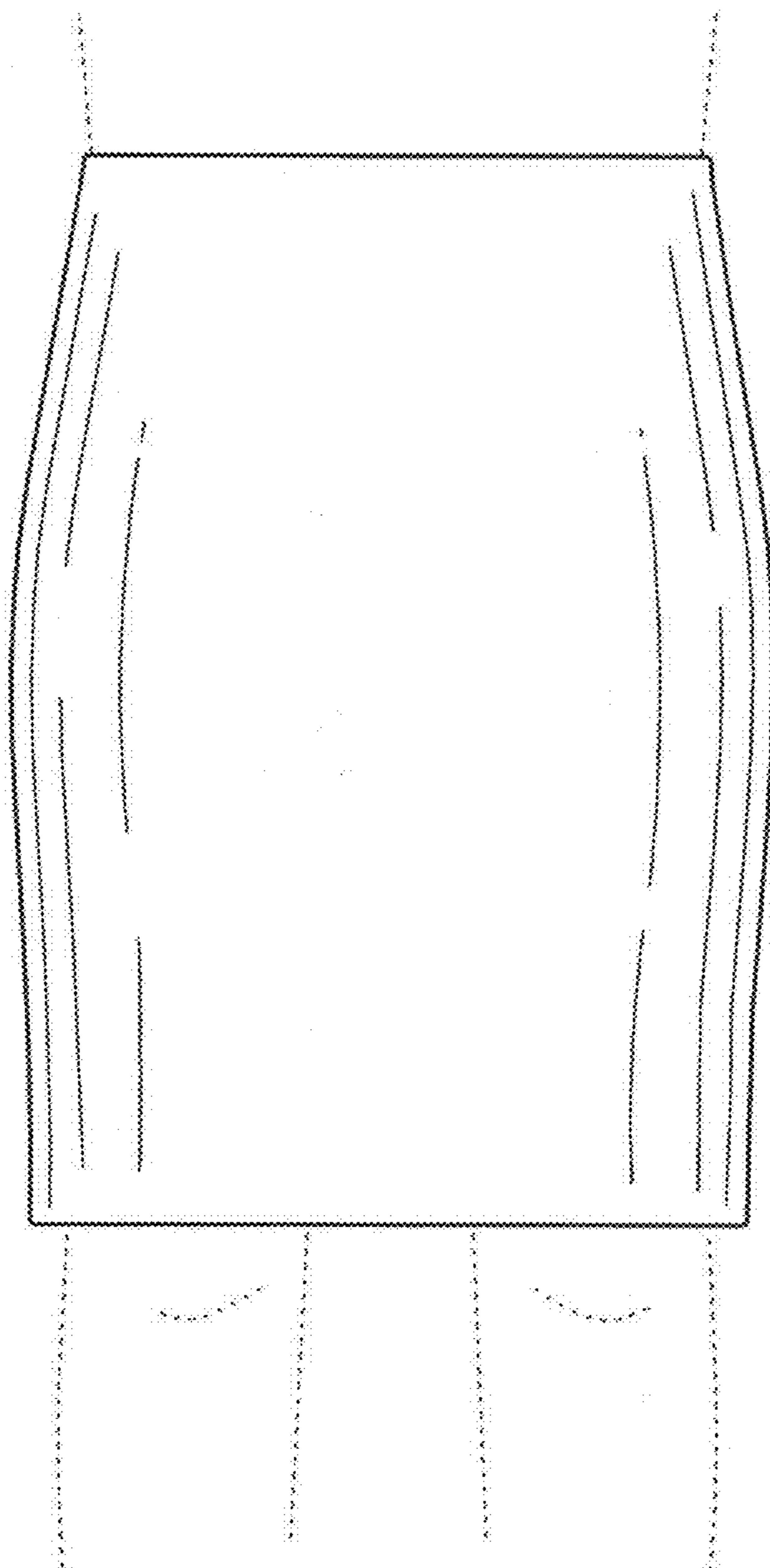


FIG. 8

FIG. 9

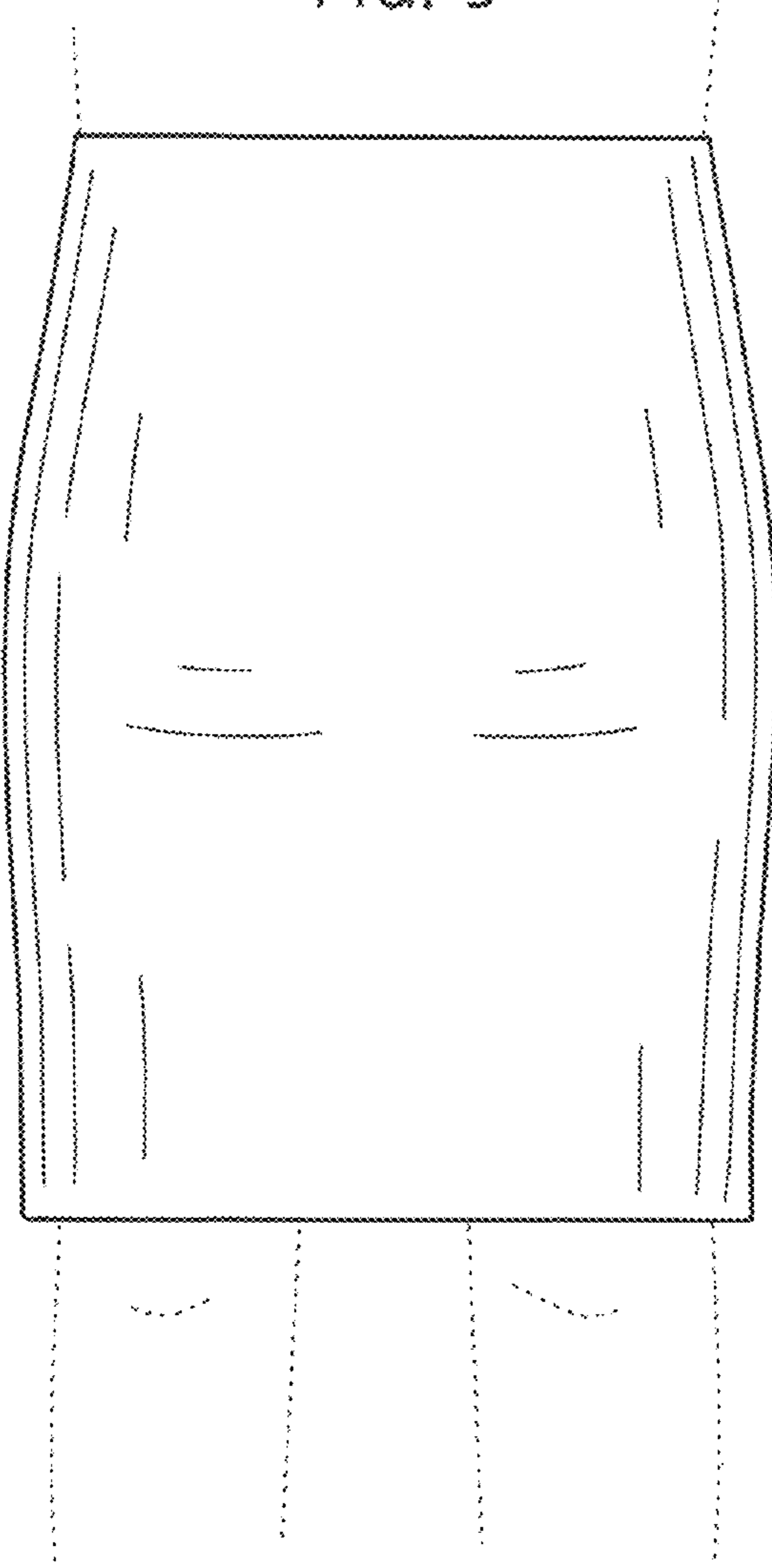


FIG. 10

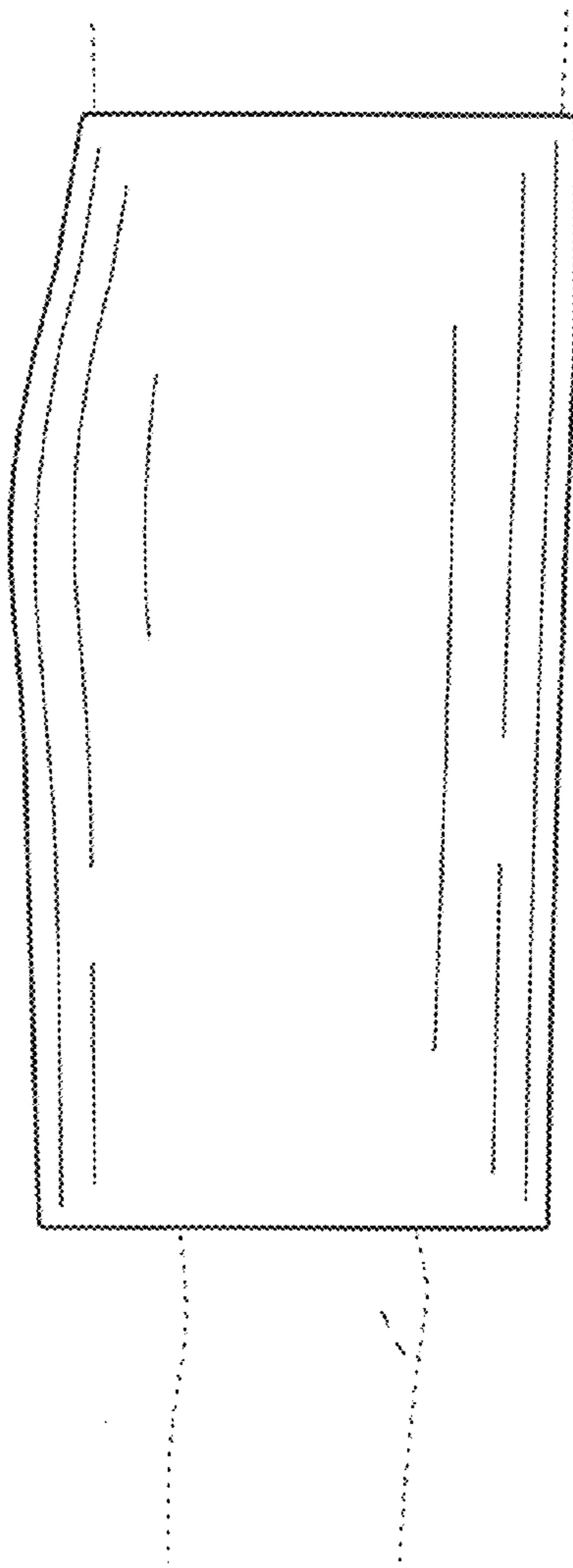




FIG. 11

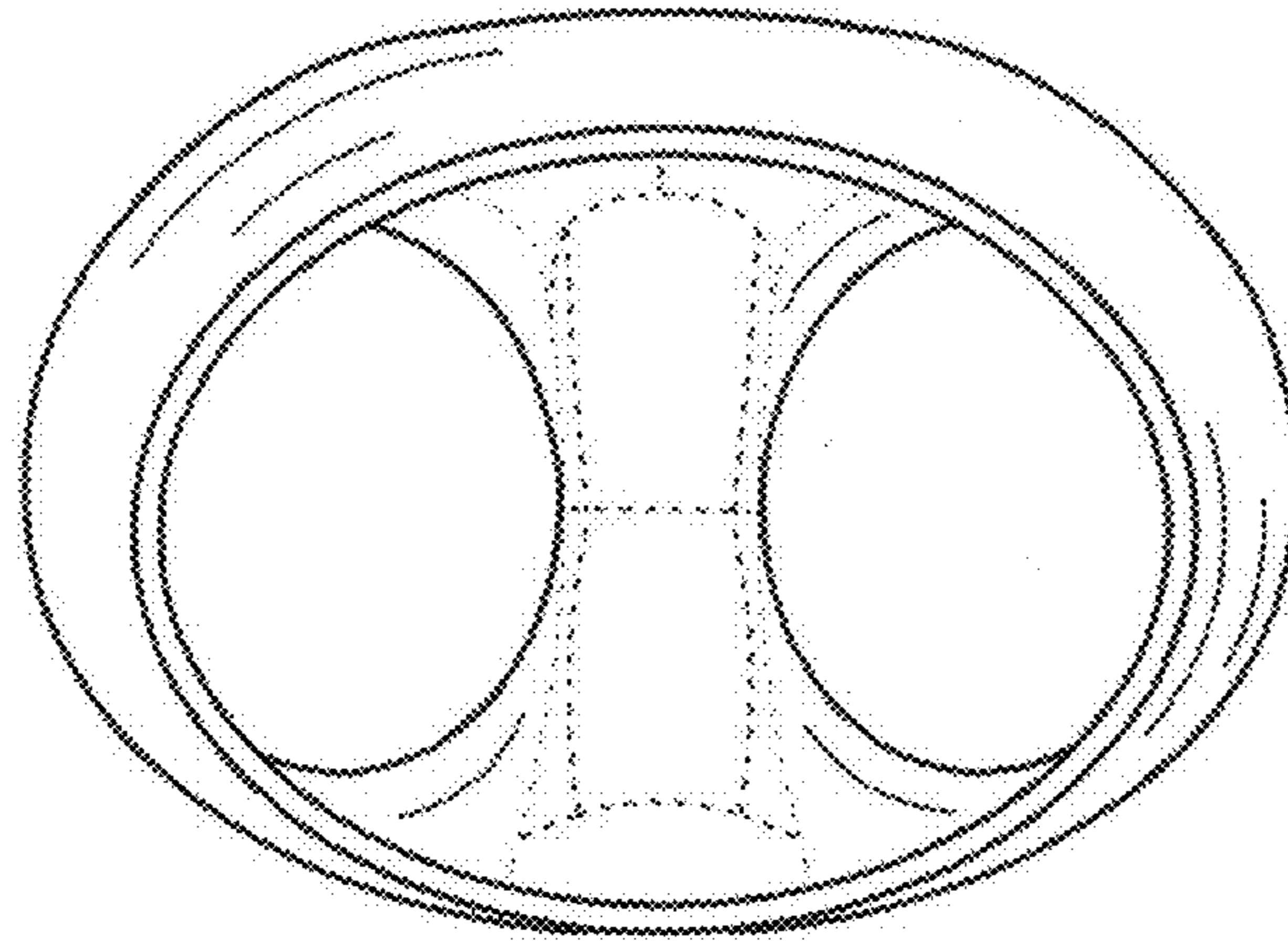
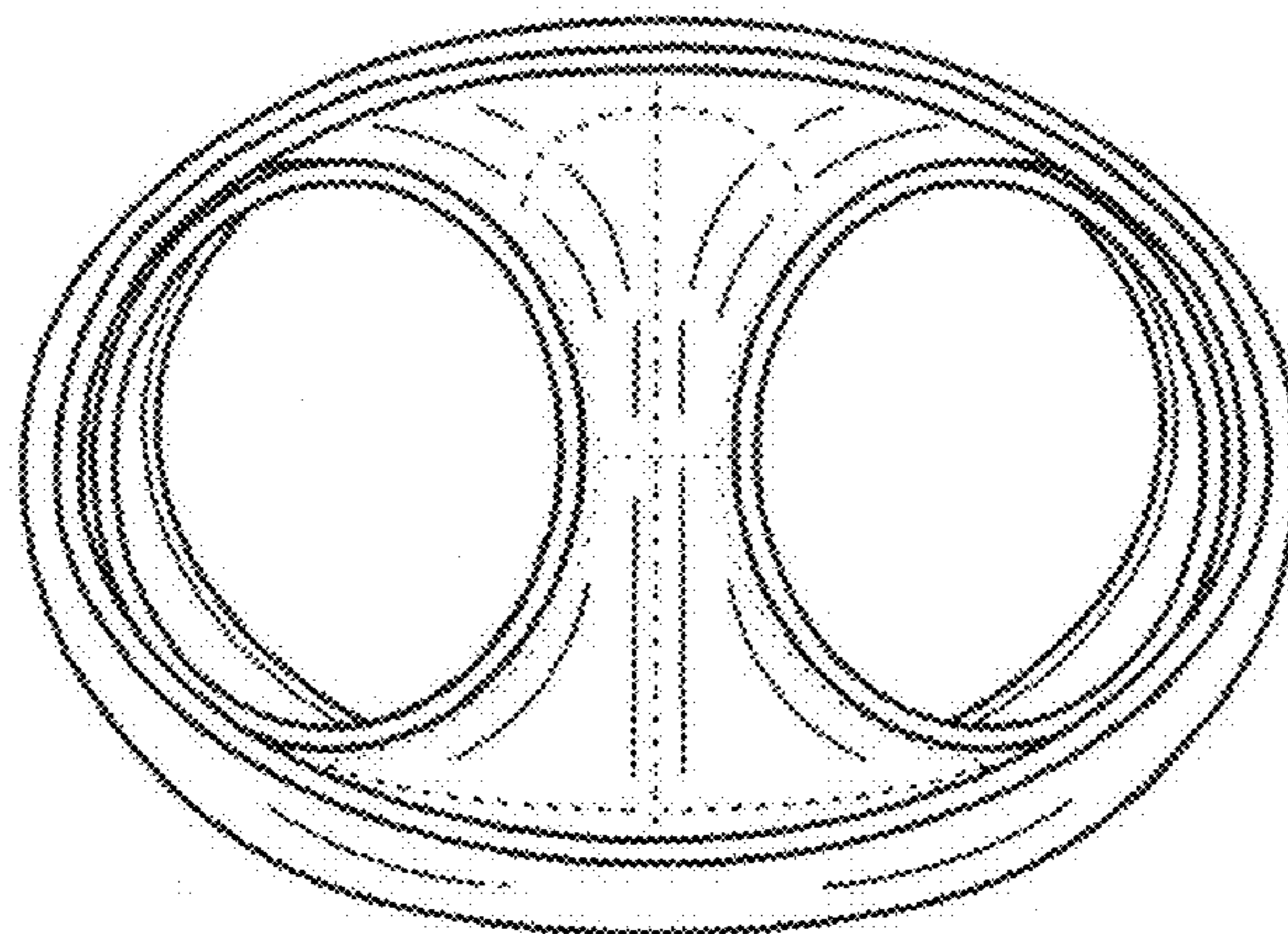


FIG. 12



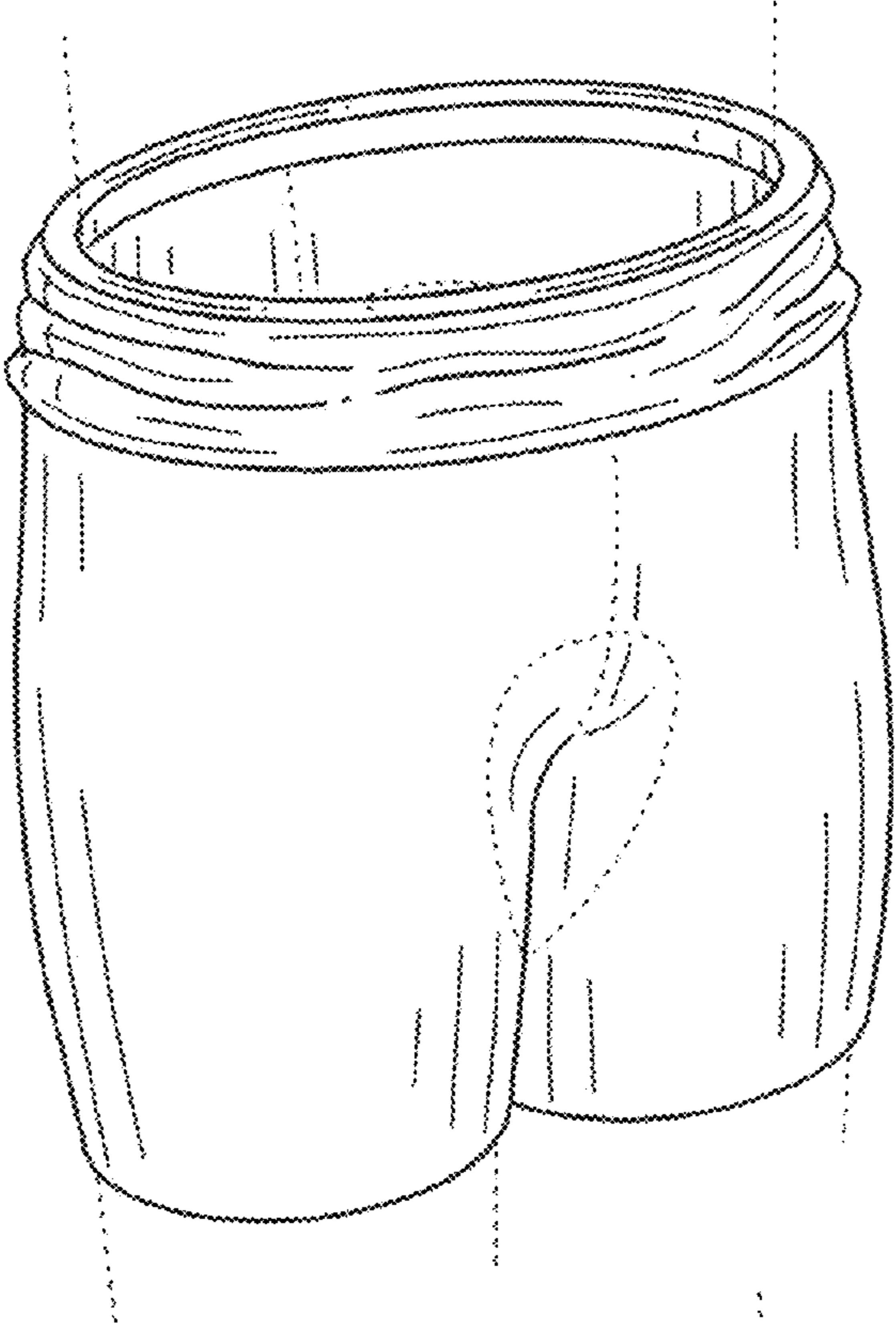


FIG. 13

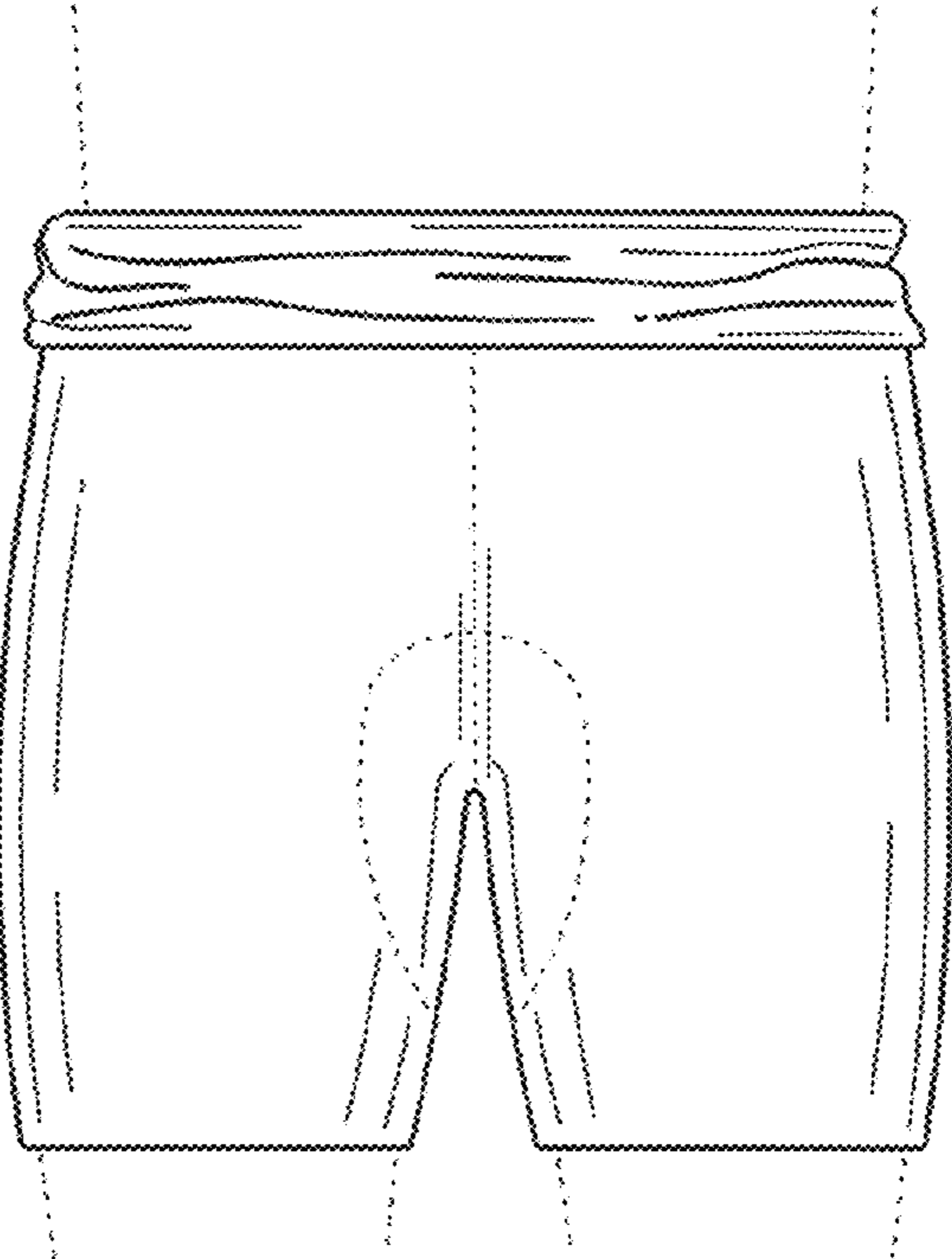


FIG. 14

FIG. 15

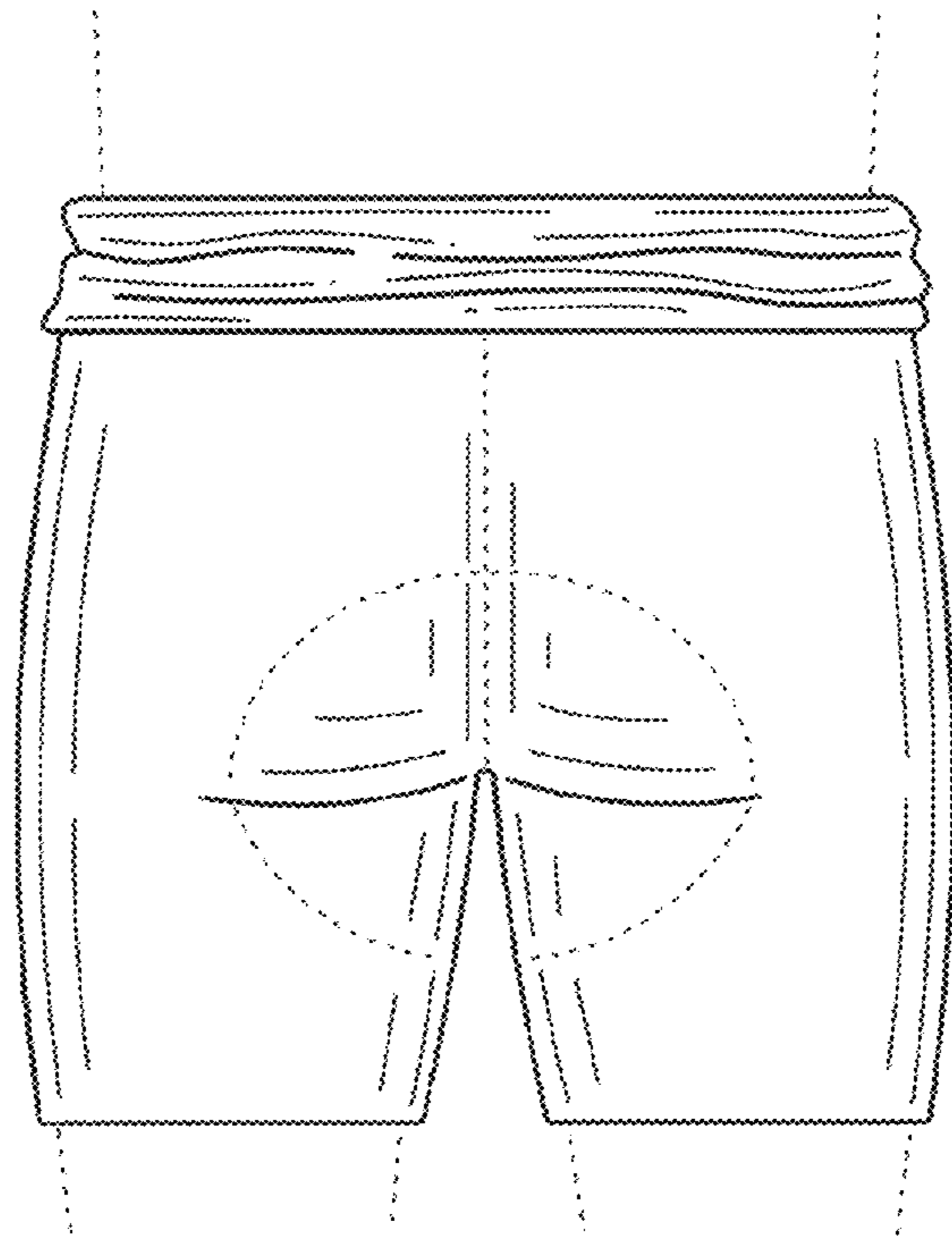
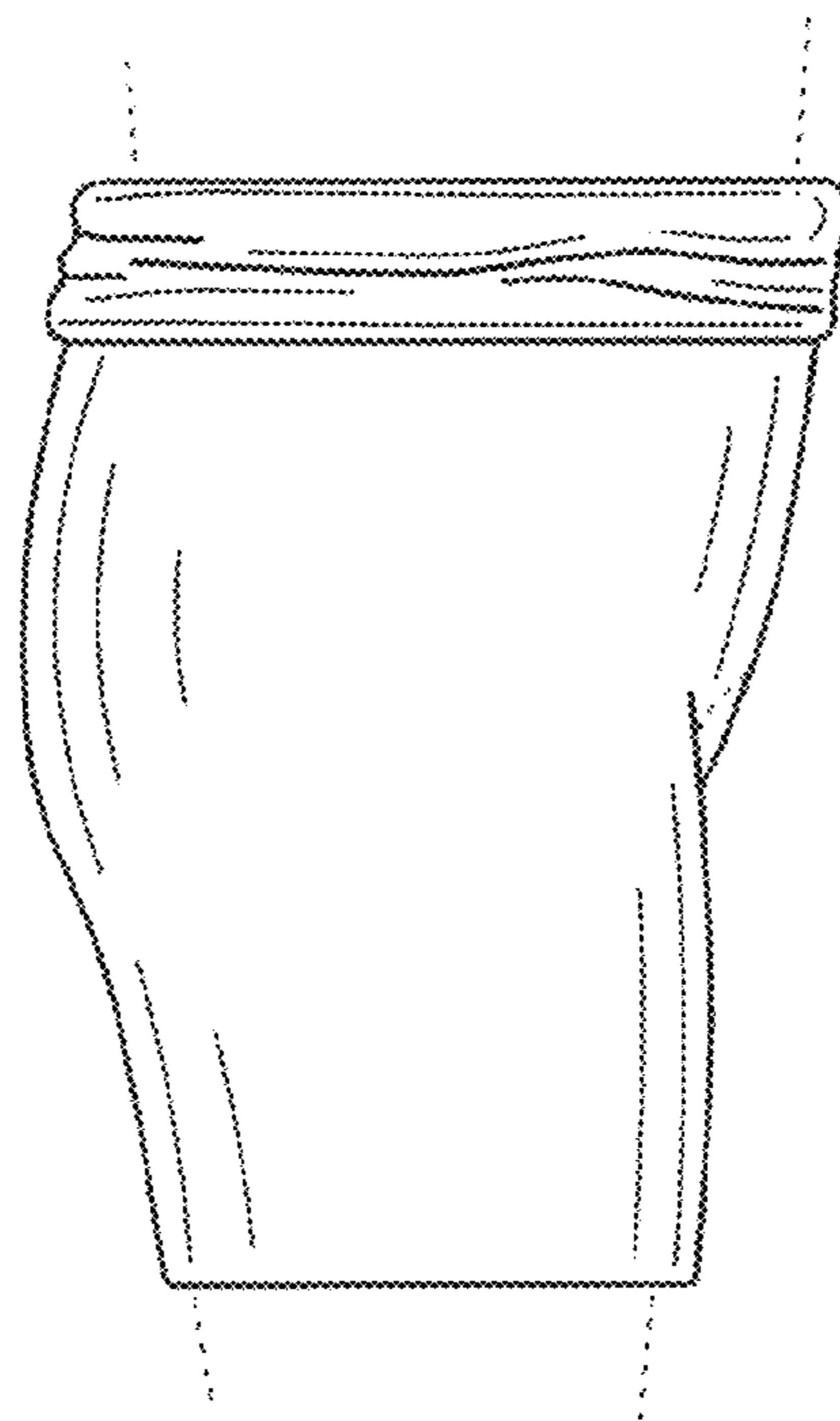


FIG. 16



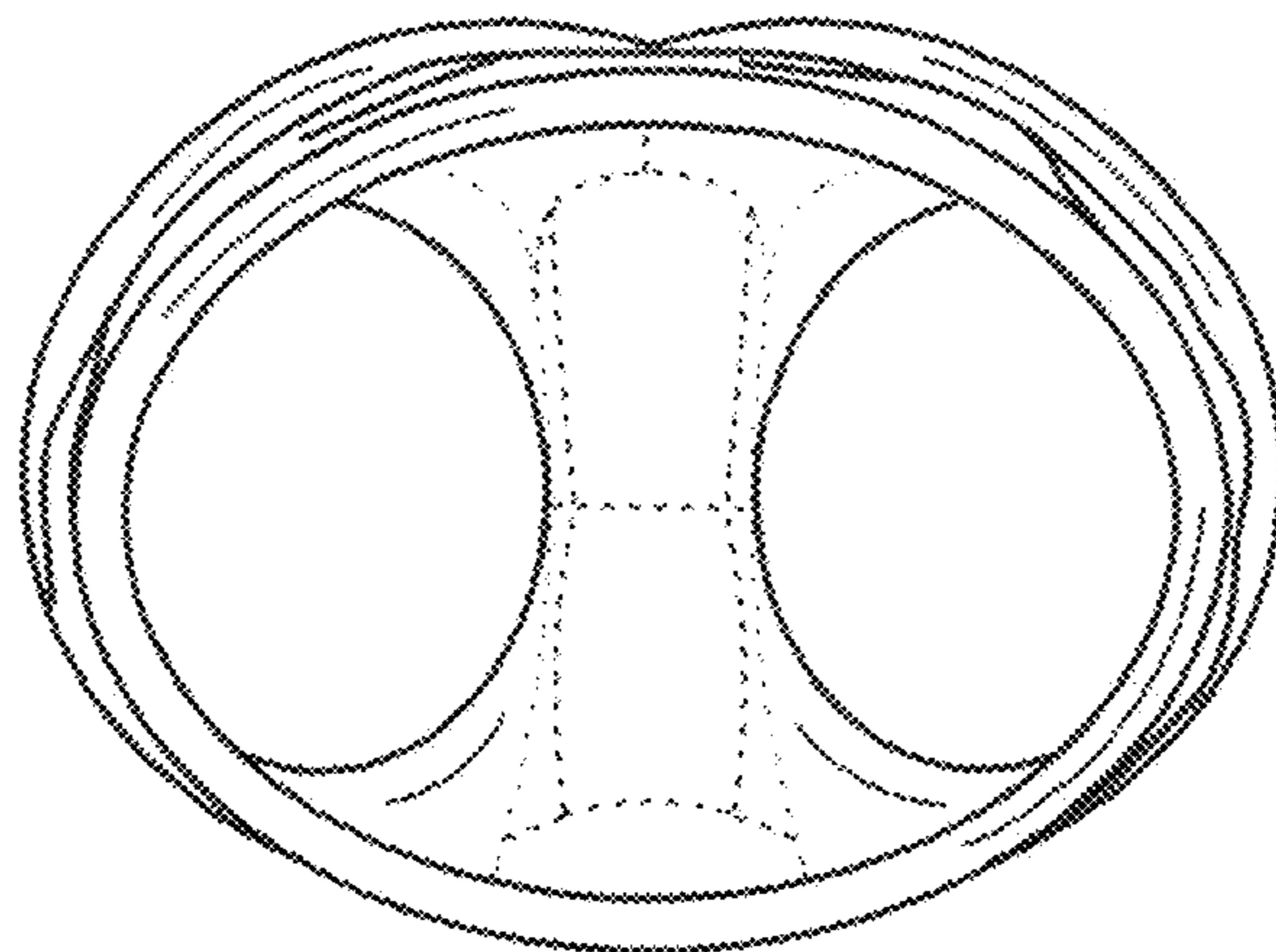


FIG. 17

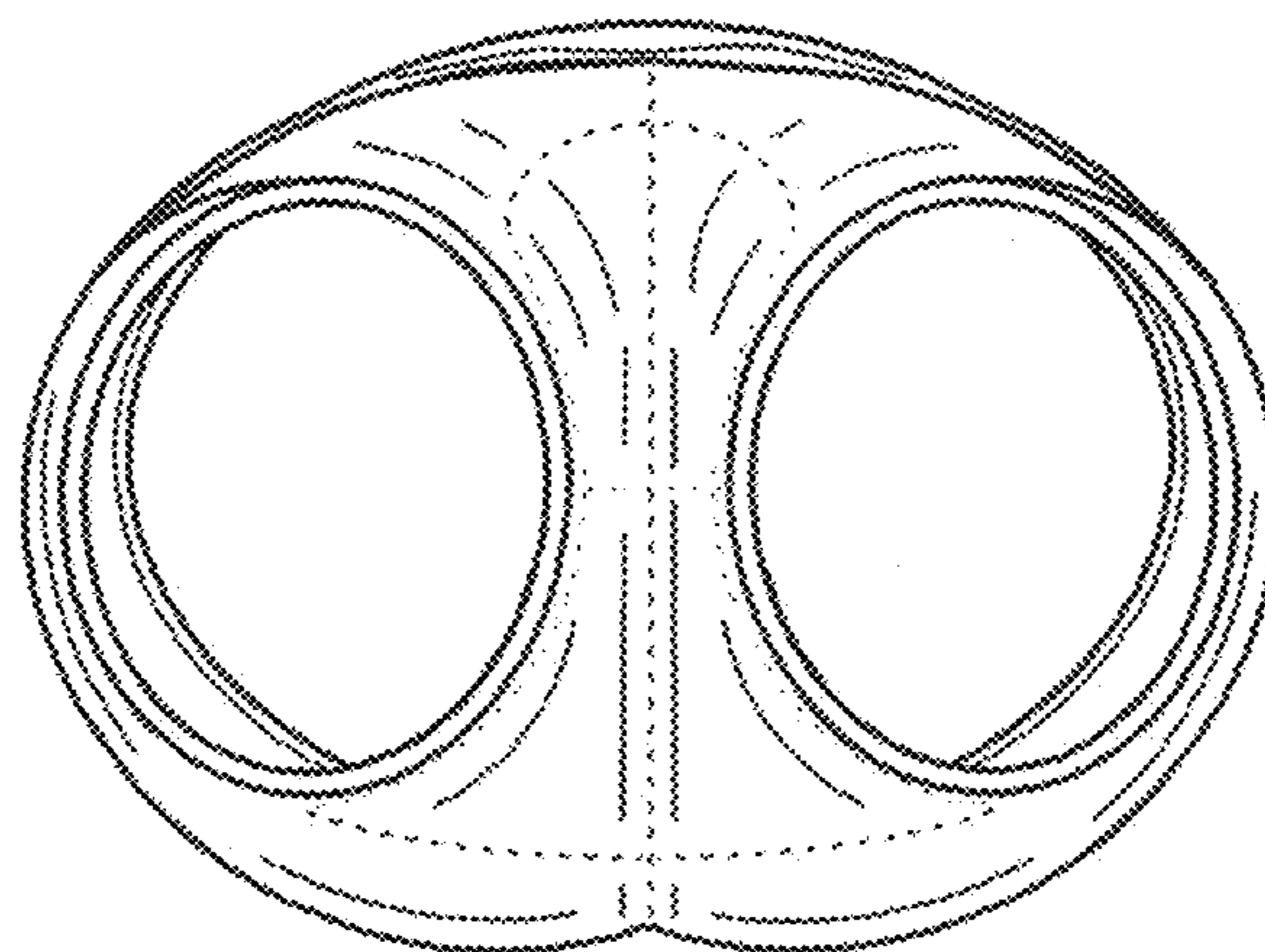


FIG. 18

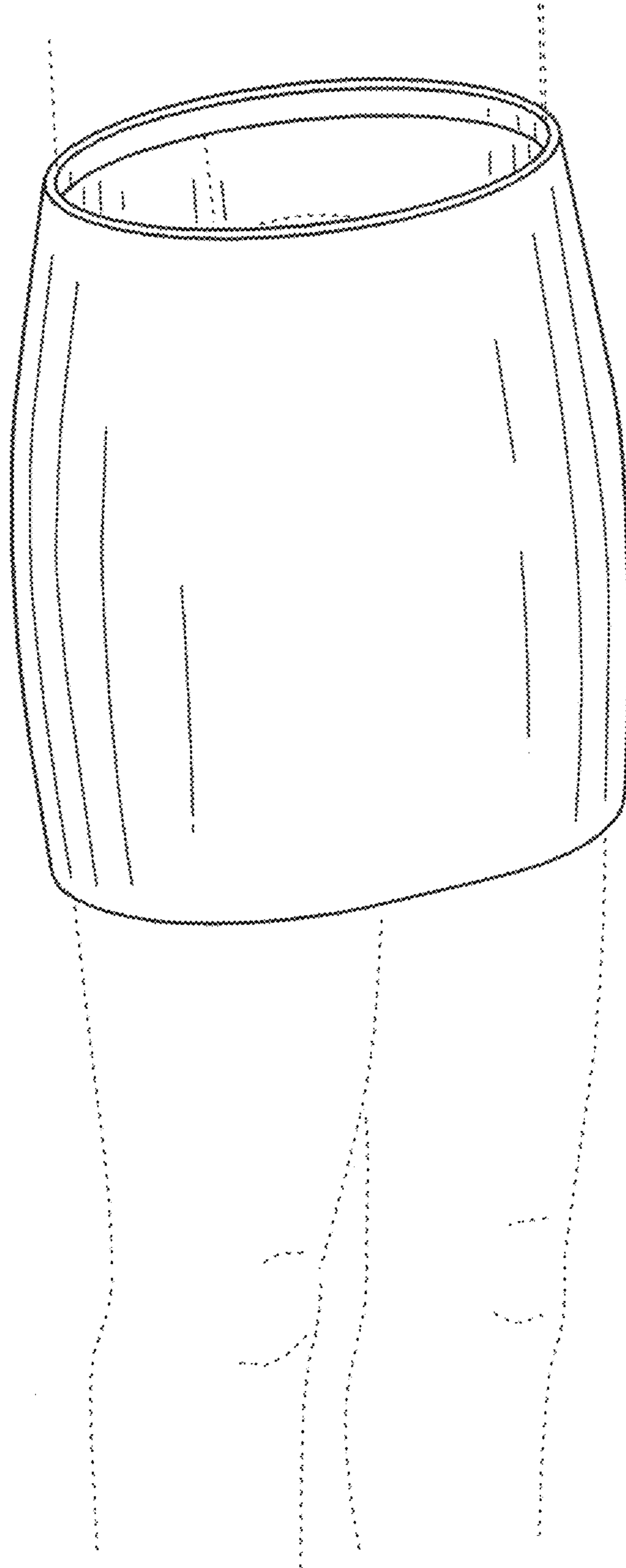


FIG. 19

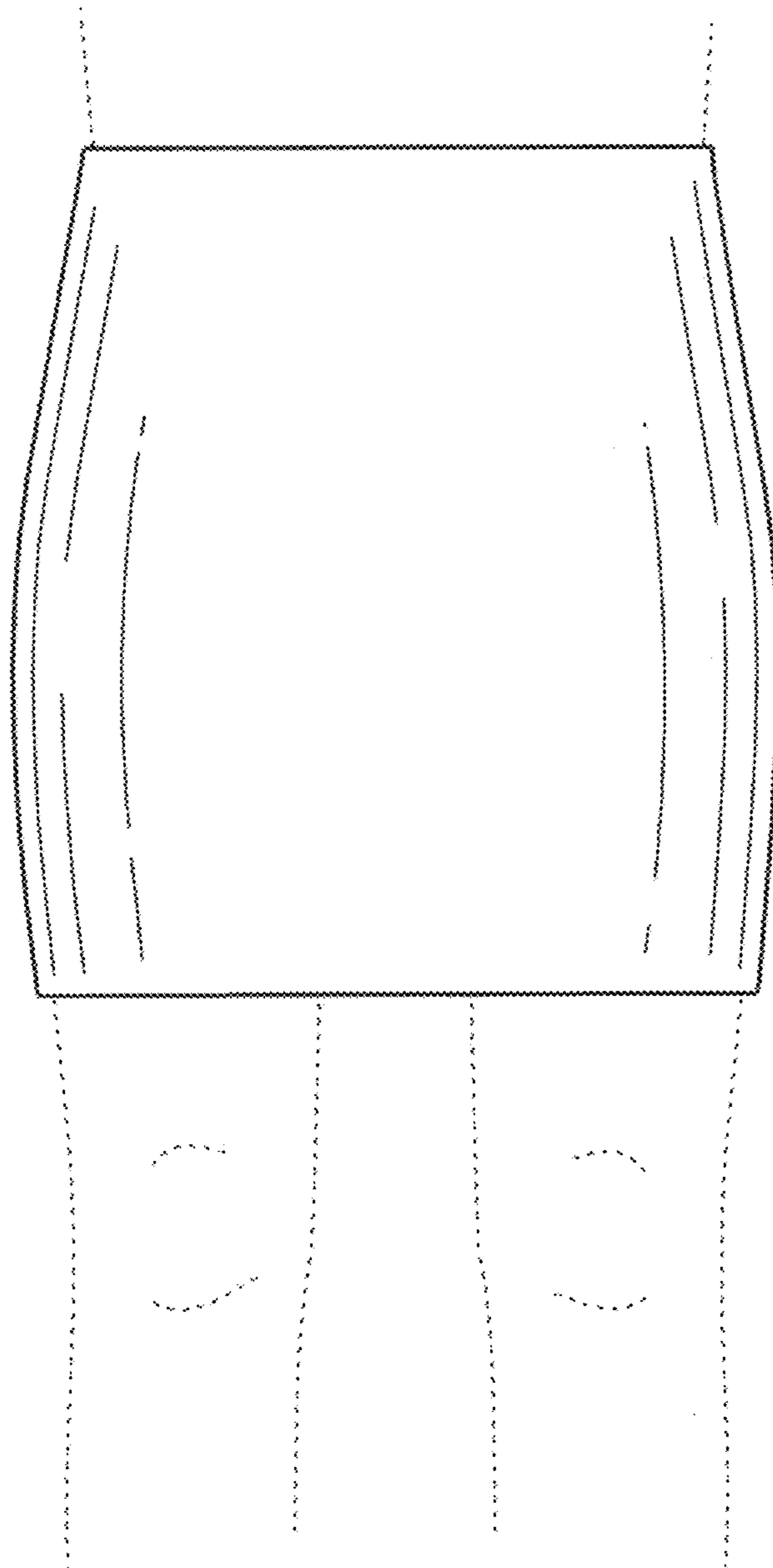


FIG. 20

FIG. 21

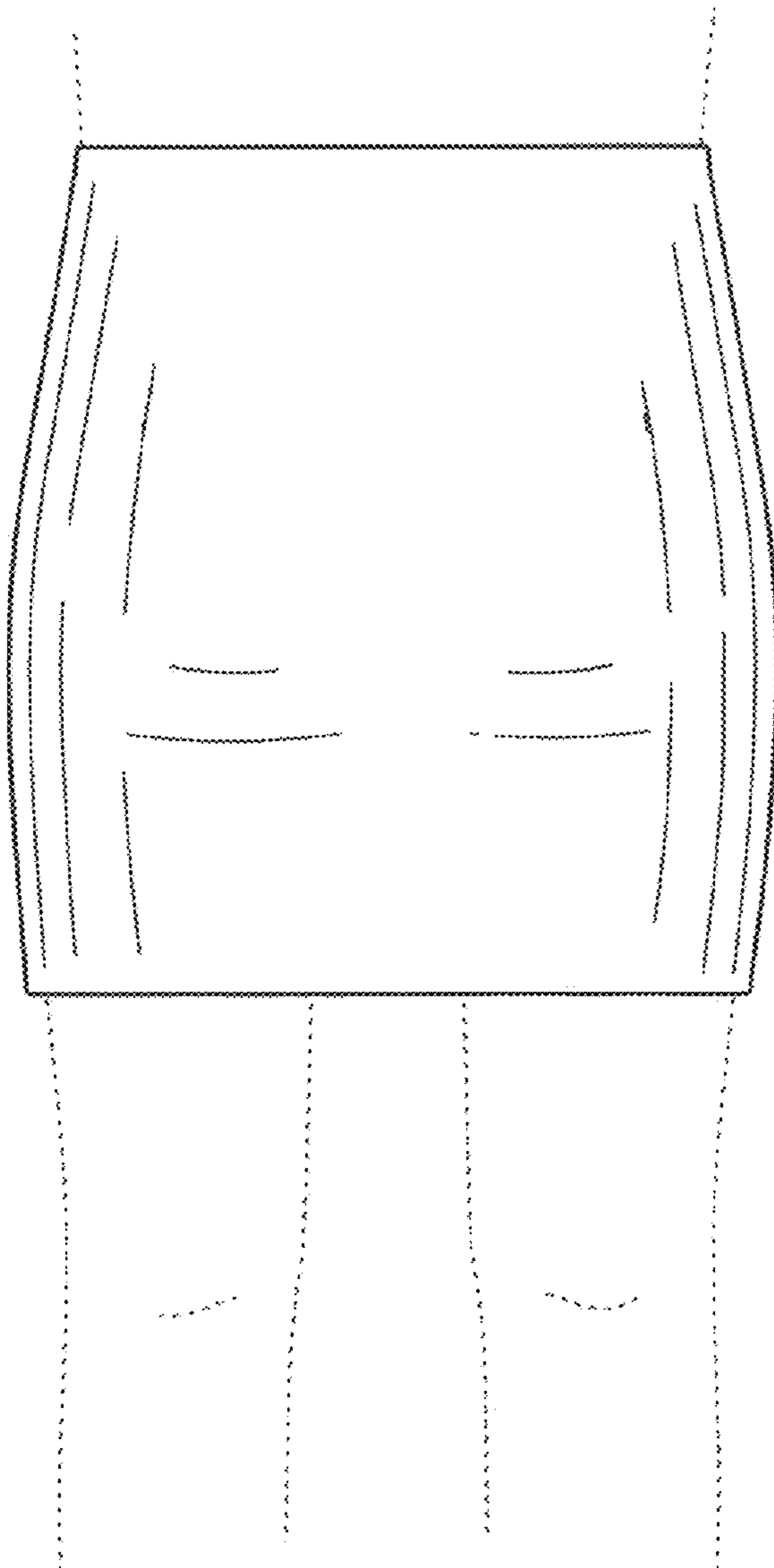
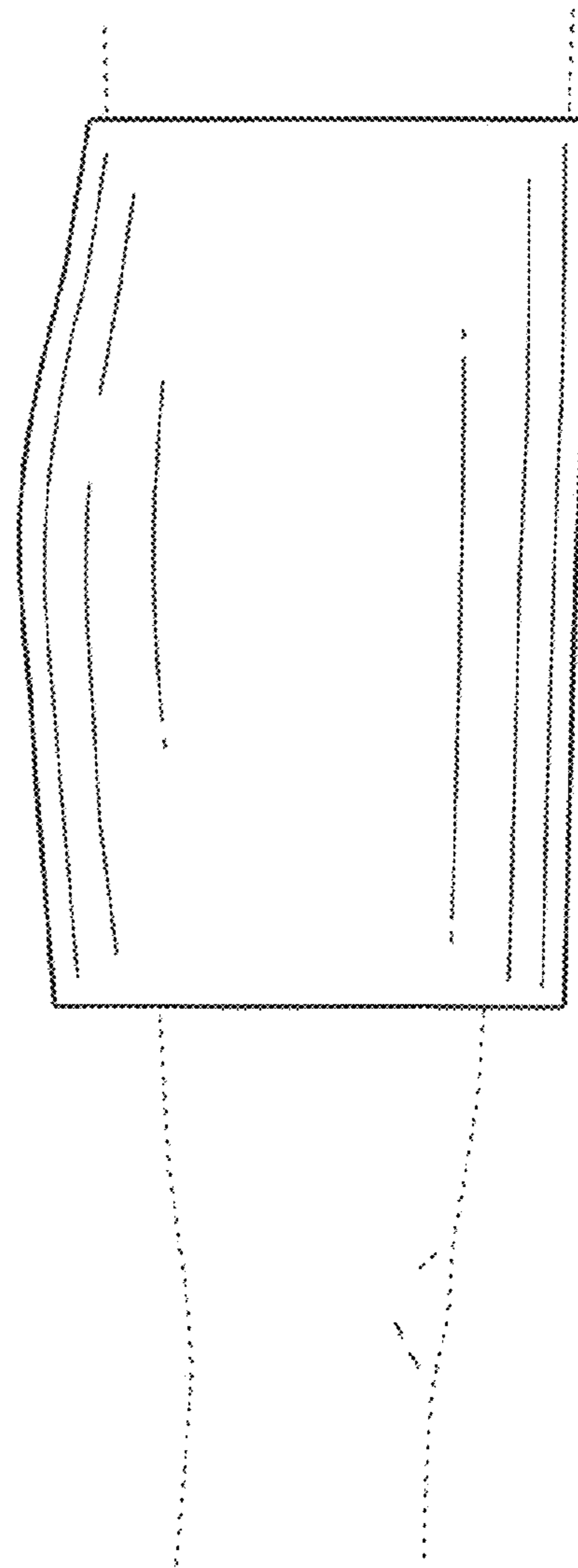


FIG. 22



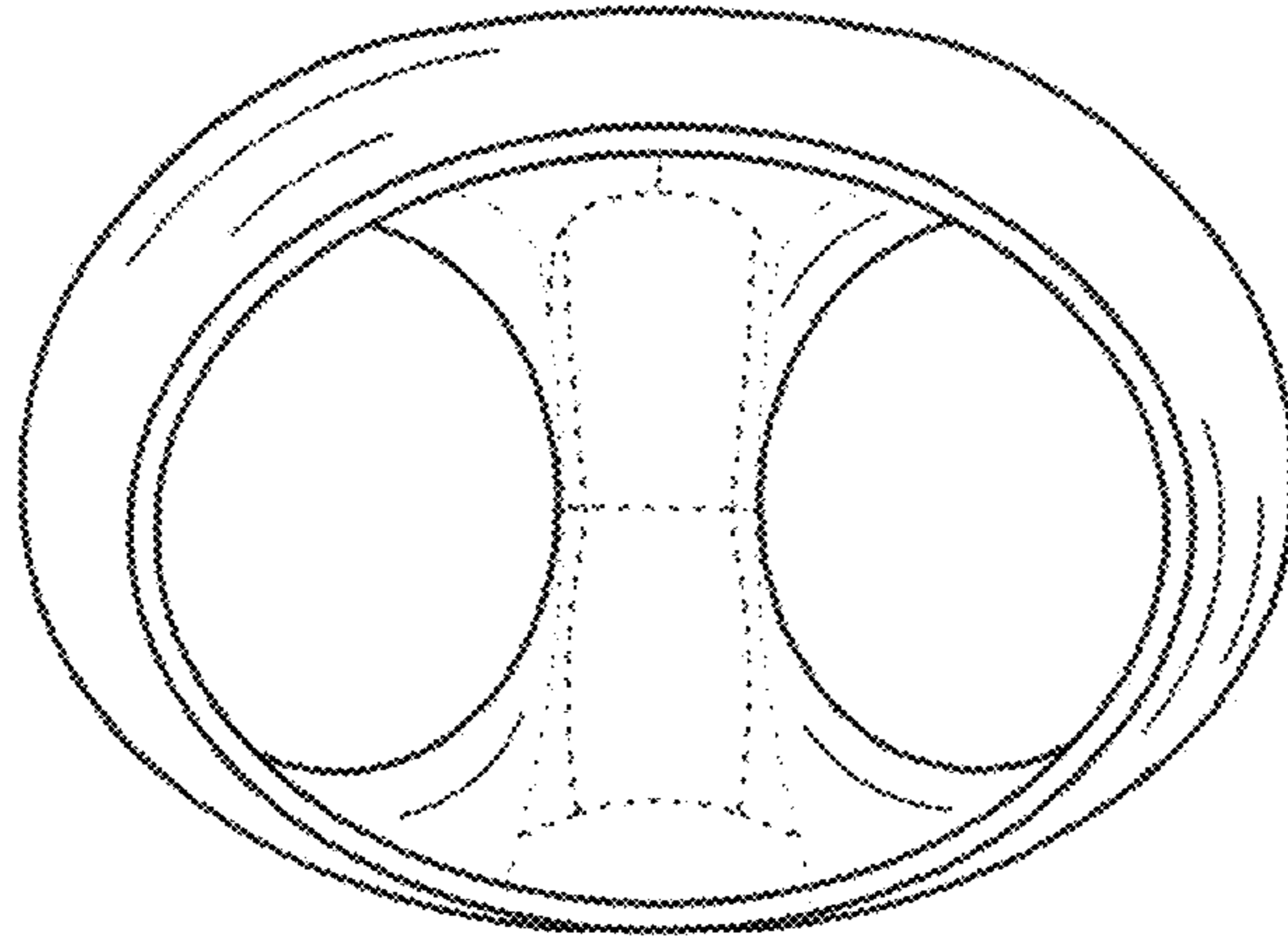


FIG. 23

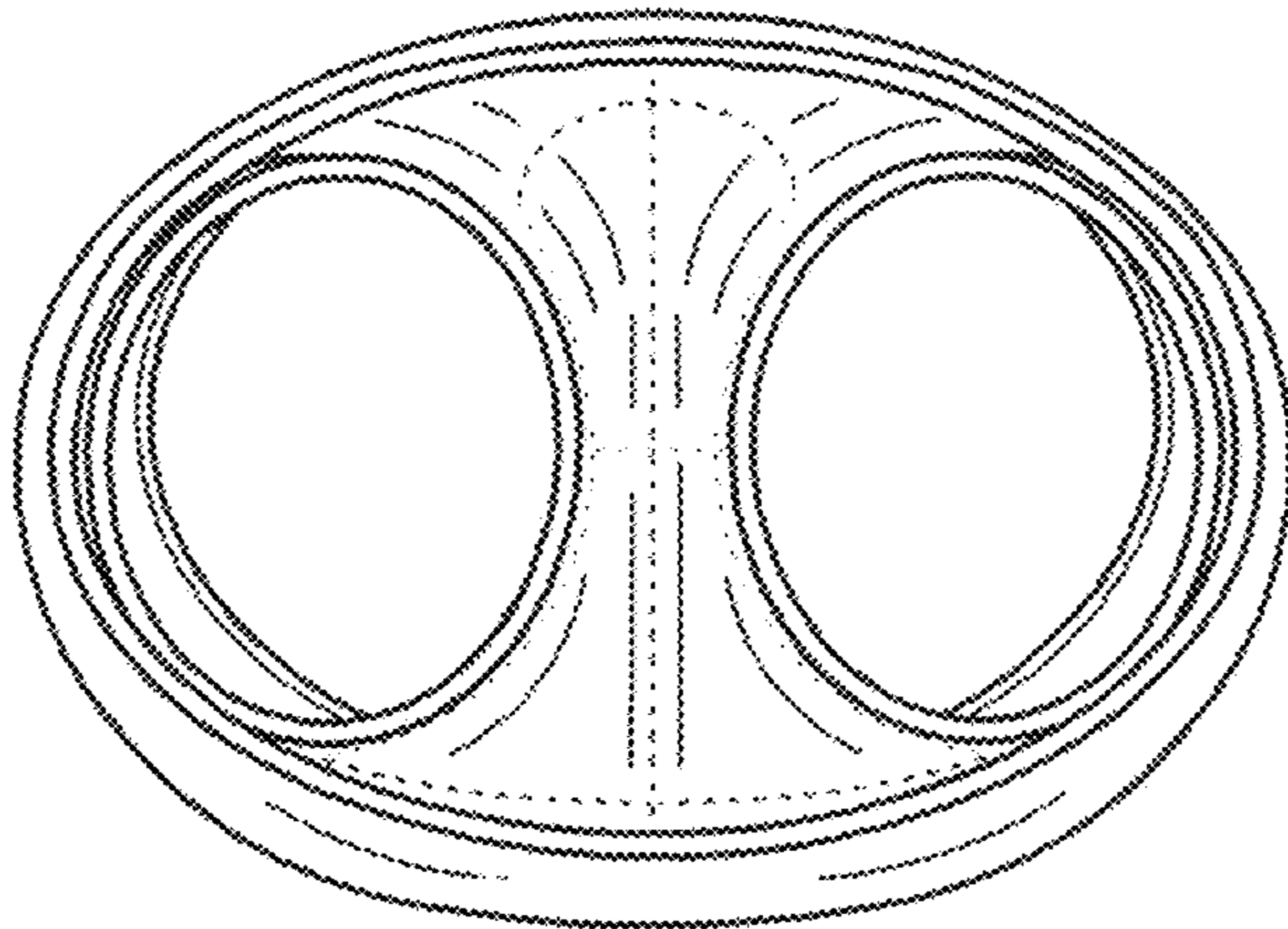


FIG. 24