



US00D743141S

(12) **United States Design Patent**  
**Kafka et al.**

(10) **Patent No.:** **US D743,141 S**

(45) **Date of Patent:** **\*\* Nov. 17, 2015**

(54) **HAND WARMER POUCH**

(71) Applicants: **Michael Kafka**, Phoenix, AZ (US);  
**Allison Kafka**, Phoenix, AZ (US)

(72) Inventors: **Michael Kafka**, Phoenix, AZ (US);  
**Allison Kafka**, Phoenix, AZ (US)

(\*\*) Term: **14 Years**

(21) Appl. No.: **29/508,681**

(22) Filed: **Nov. 10, 2014**

(51) **LOC (10) Cl.** ..... **02-06**

(52) **U.S. Cl.**  
USPC ..... **D2/611**

(58) **Field of Classification Search**

USPC ..... D2/610, 611, 612, 613, 615, 616, 617,  
D2/622, 623; D3/232, 233, 243, 226, 215,  
D3/217, 303; D29/113, 117.1, 122, 123  
CPC ..... A41D 13/08; A41D 13/081; A41D 19/00;  
A41D 19/01; A41D 19/015

See application file for complete search history.

(56) **References Cited**

**U.S. PATENT DOCUMENTS**

D22,828	S	*	10/1893	Juran	.....	D2/613
4,949,887	A	*	8/1990	Holmes	.....	A41D 13/081 126/204
5,241,706	A	*	9/1993	Netz	.....	A41D 13/0537 2/267
5,499,401	A	*	3/1996	Heinmiller	.....	A41D 13/081 2/208
D417,954	S	*	12/1999	Pearl-Lee	.....	D3/226
D440,738	S	*	4/2001	Cliche	.....	D2/612
D468,573	S	*	1/2003	Friend	.....	D6/601
6,681,974	B2	*	1/2004	Rotter	.....	A45F 4/02 128/876
D595,928	S	*	7/2009	Swanson	.....	D2/611
2010/0175161	A1	*	7/2010	Jarboe	.....	A41D 13/085 2/69
2010/0299800	A1	*	12/2010	Jackson, Jr.	.....	A41D 13/081 2/69

**OTHER PUBLICATIONS**

“Roo Inferno Hand Pouch Sport Hunter Green,” item available for sale on-line at Etsy. Publication date unknown. Retrieved from the internet on Aug. 14, 2015. URL: <https://www.etsy.com/listing/216364906/roo-inferno-hand-pouch-sport-hunter>. (3 pages).\*

\* cited by examiner

*Primary Examiner* — Karen E. Eldridge Powers

*Assistant Examiner* — Jasmine Mlinarcik

(74) *Attorney, Agent, or Firm* — Porzio, Bromberg & Newman, P.C.

(57) **CLAIM**

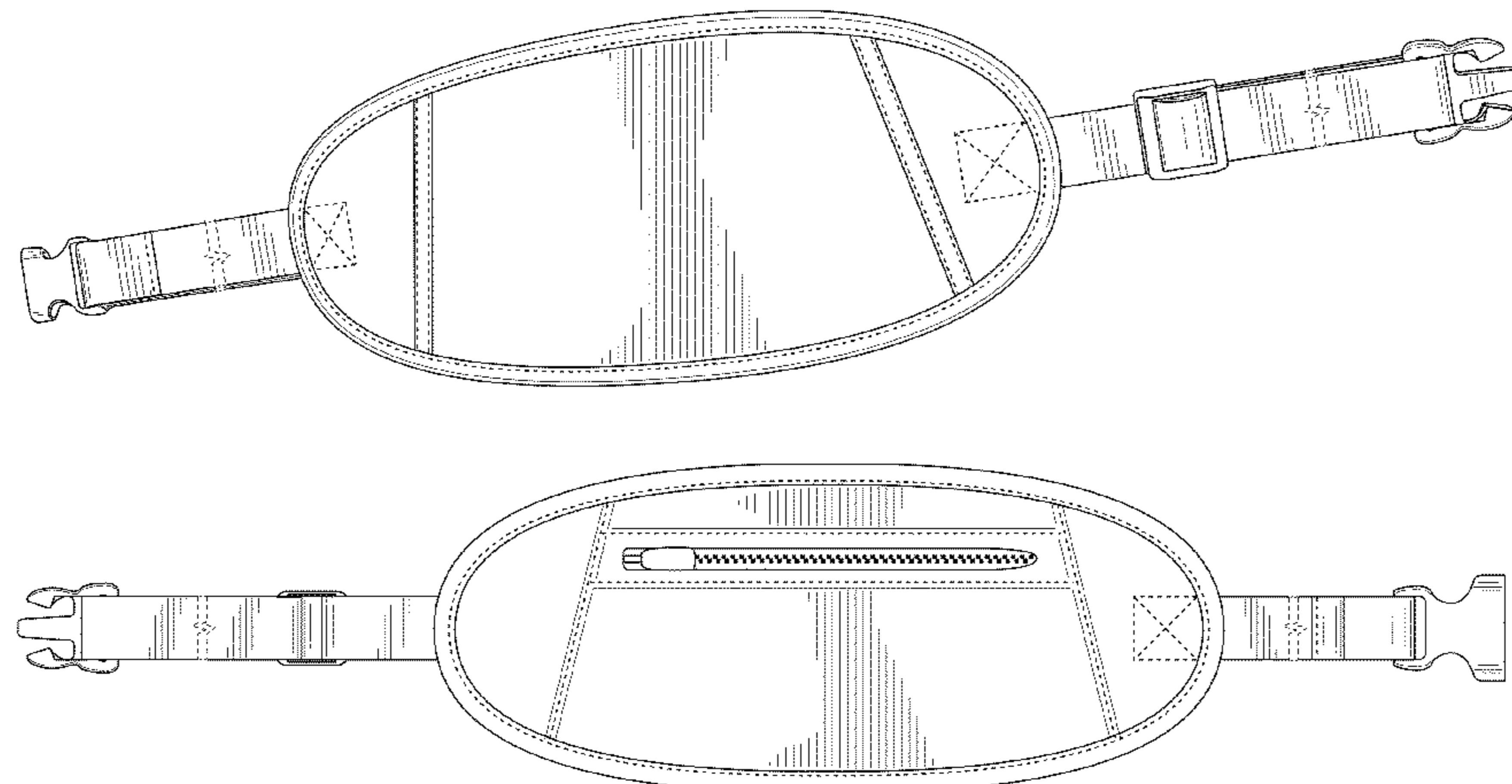
We claim, the ornamental design for a hand warmer pouch, as shown and described.

**DESCRIPTION**

FIG. 1 is a perspective view of a first embodiment of a hand warmer pouch, showing our new design;  
FIG. 2 is a top plan view thereof;  
FIG. 3 is a bottom plan view thereof;  
FIG. 4 is a side elevation view thereof;  
FIG. 5 is a side elevation shown from the side opposite that of FIG. 4;  
FIG. 6 is a right end elevation view thereof;  
FIG. 7 is a left end elevation view thereof;  
FIG. 8 is a perspective view of a second embodiment of a hand warmer pouch;  
FIG. 9 is a top plan view thereof;  
FIG. 10 is a bottom plan view thereof;  
FIG. 11 is a side elevation view thereof;  
FIG. 12 is a side elevation shown from the side opposite that of FIG. 11;  
FIG. 13 is a right end elevation view thereof; and,  
FIG. 14 is a left end elevation view thereof.

The broken lines shown on the claimed design represent stitching, which is part of the claimed design. The cut-aways shown in broken lines on the ends of the straps indicate that any portion of the article beyond what is shown forms no part of the claimed design.

**1 Claim, 12 Drawing Sheets**



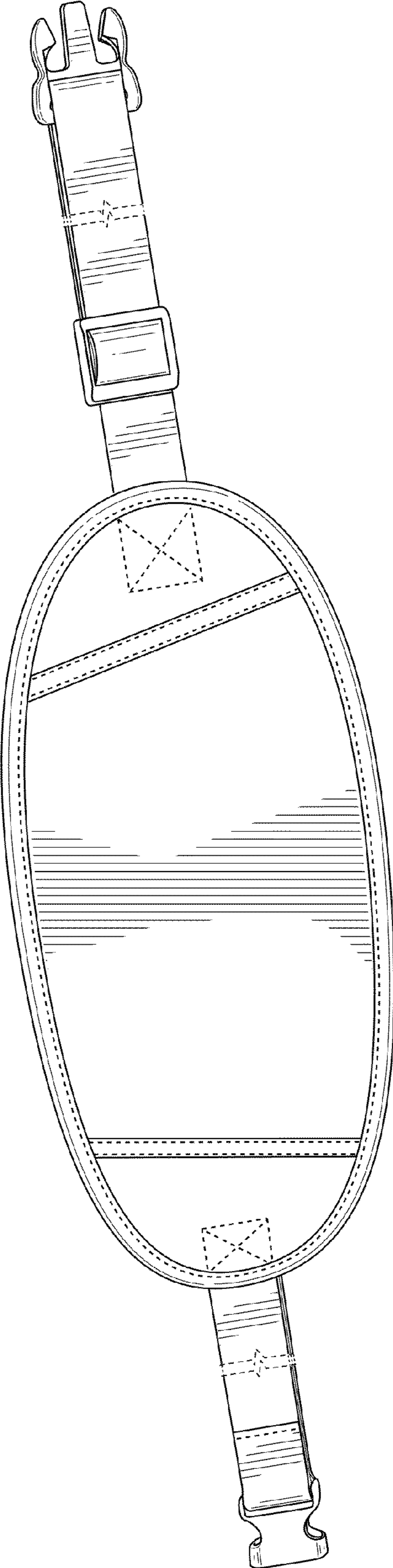


FIG. 1

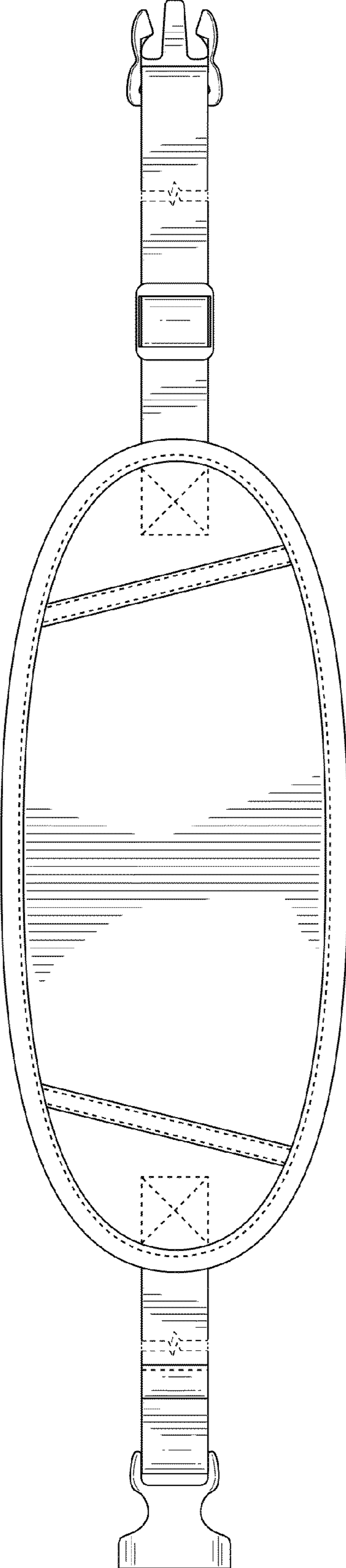


FIG. 2

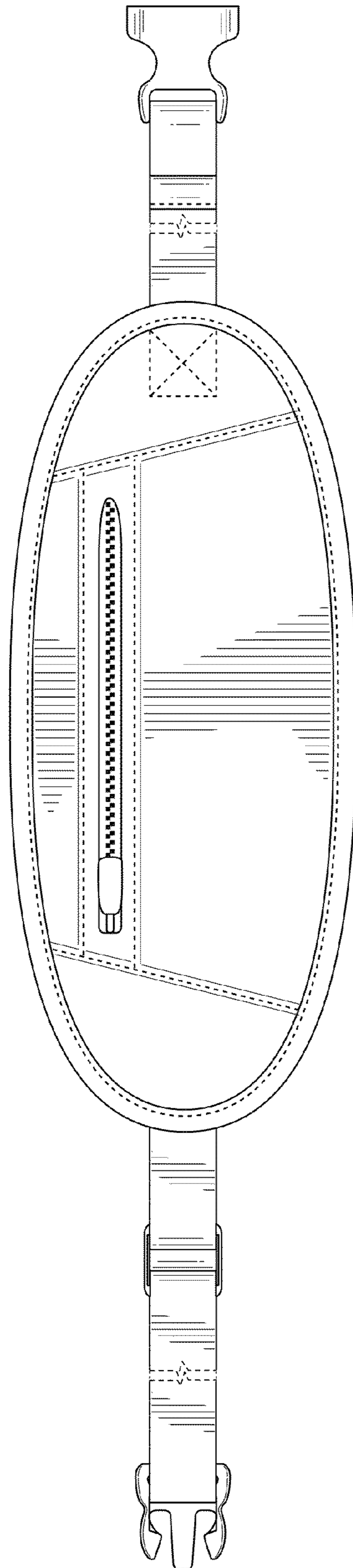


FIG. 3

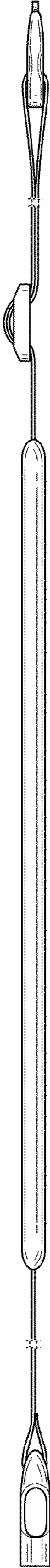


FIG. 4

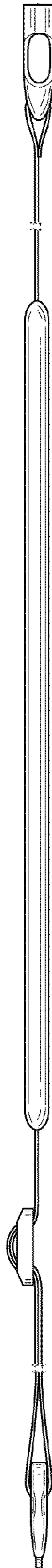
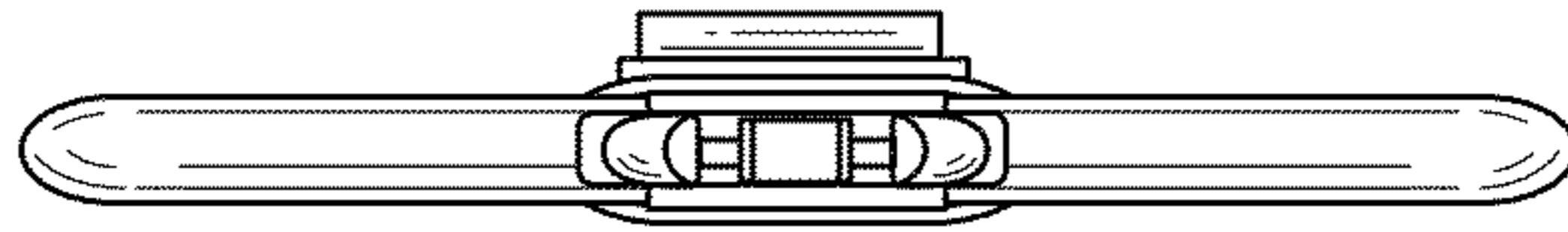


FIG. 5



*FIG. 6*



*FIG. 7*

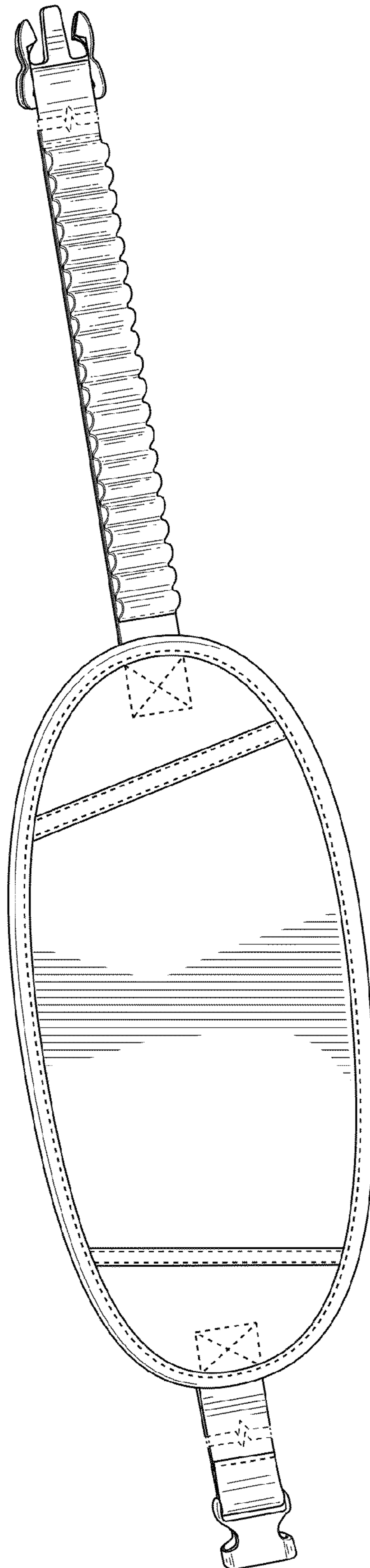


FIG. 8



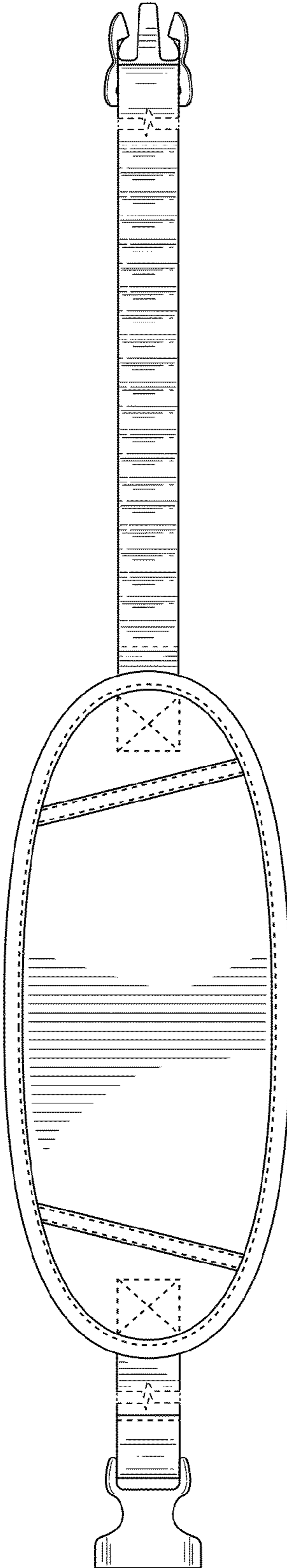


FIG. 9

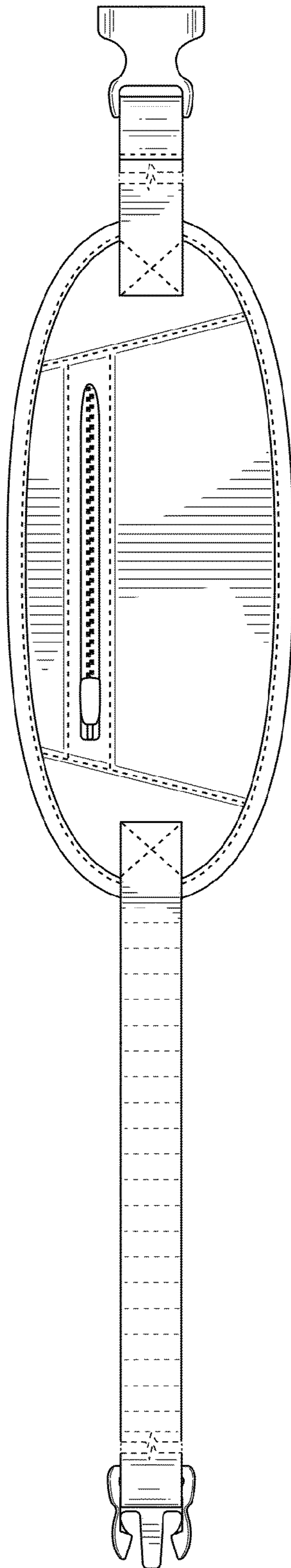


FIG. 10

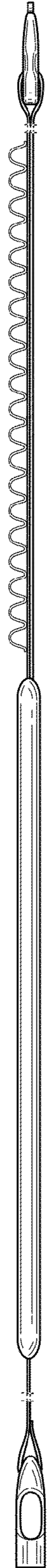
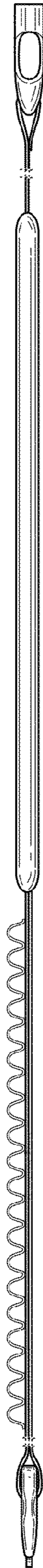
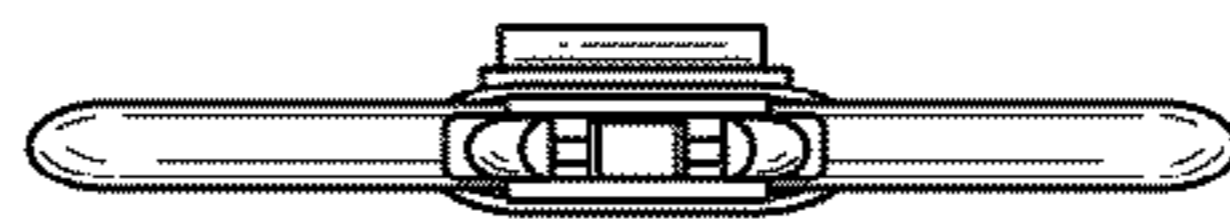


FIG. 17



**FIG. 12**



**FIG. 13**



**FIG. 14**