



US00D743139S

(12) **United States Design Patent**  
**Tuncel**

(10) **Patent No.:** **US D743,139 S**  
(45) **Date of Patent:** **\*\* Nov. 10, 2015**

- (54) **BELLMAN CART**
- (71) Applicant: **Levent Tuncel**, Marietta, GA (US)
- (72) Inventor: **Levent Tuncel**, Marietta, GA (US)
- (\*\*) Term: **14 Years**
- (21) Appl. No.: **29/502,143**
- (22) Filed: **Sep. 12, 2014**
- (51) **LOC (10) Cl.** ..... **12-02**
- (52) **U.S. Cl.**  
USPC ..... **D34/17**
- (58) **Field of Classification Search**  
USPC ..... D34/1-27; 280/79.3, 33.998, 47.34,  
280/47.35; D6/475, 410  
CPC ..... B62B 3/002; B62B 3/005; B62B 9/26;  
B62B 2202/24; B62B 3/1476  
See application file for complete search history.

D341,689 S *	11/1993	Putman	.....	D34/17
D341,690 S *	11/1993	Putman	.....	D34/17
D550,919 S *	9/2007	Tuncel	.....	D34/17
D550,920 S *	9/2007	Tuncel	.....	D34/17
D703,905 S *	4/2014	Tuncel	.....	D34/23
D713,112 S *	9/2014	Maher	.....	D34/17
D728,888 S *	5/2015	Tuncel	.....	D34/17
2008/0084039 A1 *	4/2008	Moulton	.....	A45C 13/385 280/47.35

\* cited by examiner

*Primary Examiner* — Cynthia Ramirez  
*Assistant Examiner* — Gino Colan

(57) **CLAIM**  
The ornamental design for a bellman cart, as shown and described.

**DESCRIPTION**

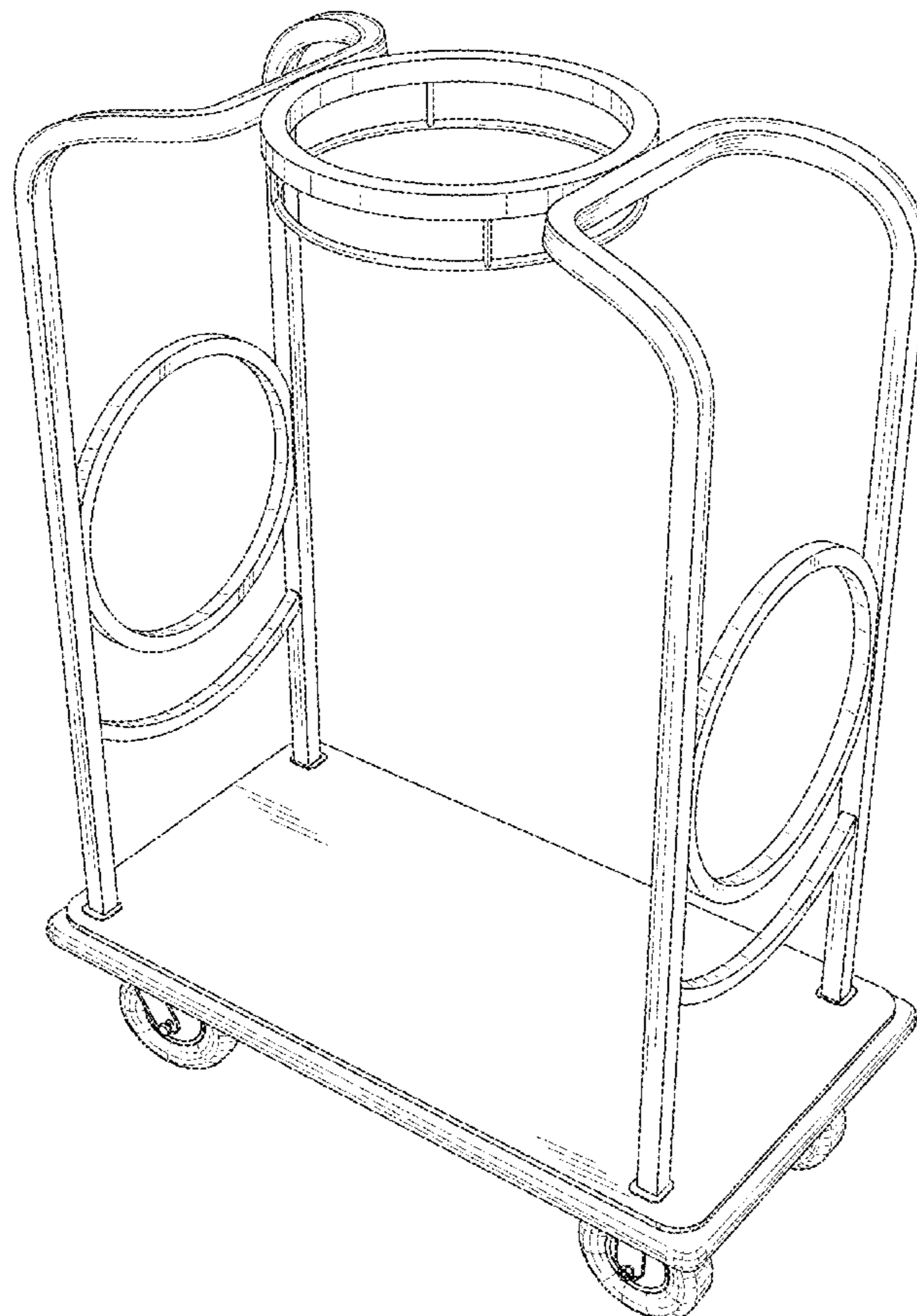
FIG. 1 is a perspective view of a bellman cart;  
FIG. 2 is a front elevational view thereof, the back view being a mirror image;  
FIG. 3 is a right side elevational view thereof, the left side being a mirror image;  
FIG. 4 is a top plan view thereof; and,  
FIG. 5 is a bottom plan view thereof.

**1 Claim, 5 Drawing Sheets**

(56) **References Cited**

U.S. PATENT DOCUMENTS

D323,049 S *	1/1992	DeWitt	.....	D34/17
D324,283 S *	2/1992	DeWitt	.....	D34/17
D329,727 S *	9/1992	DeWitt	.....	D34/17



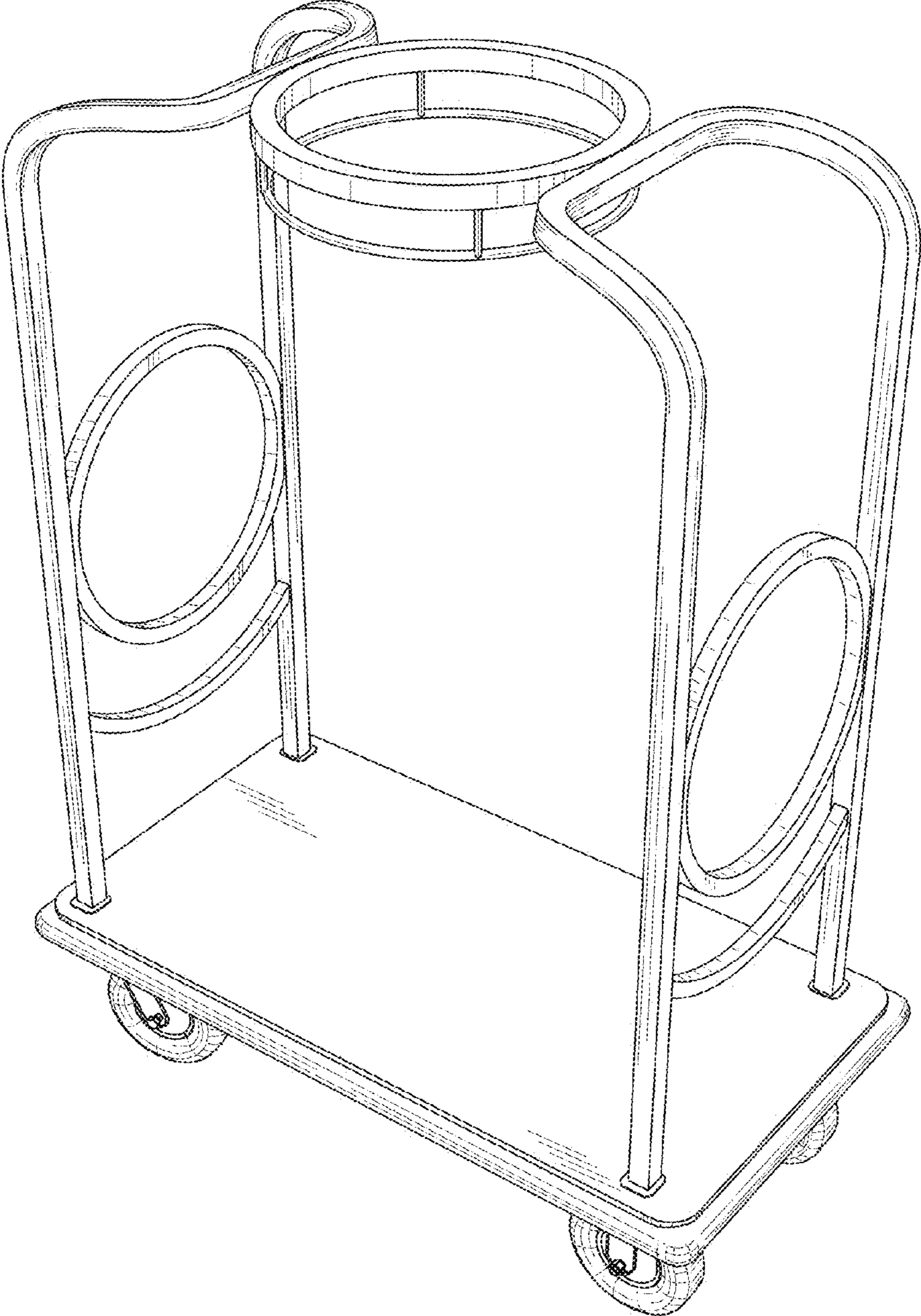


FIG. 1

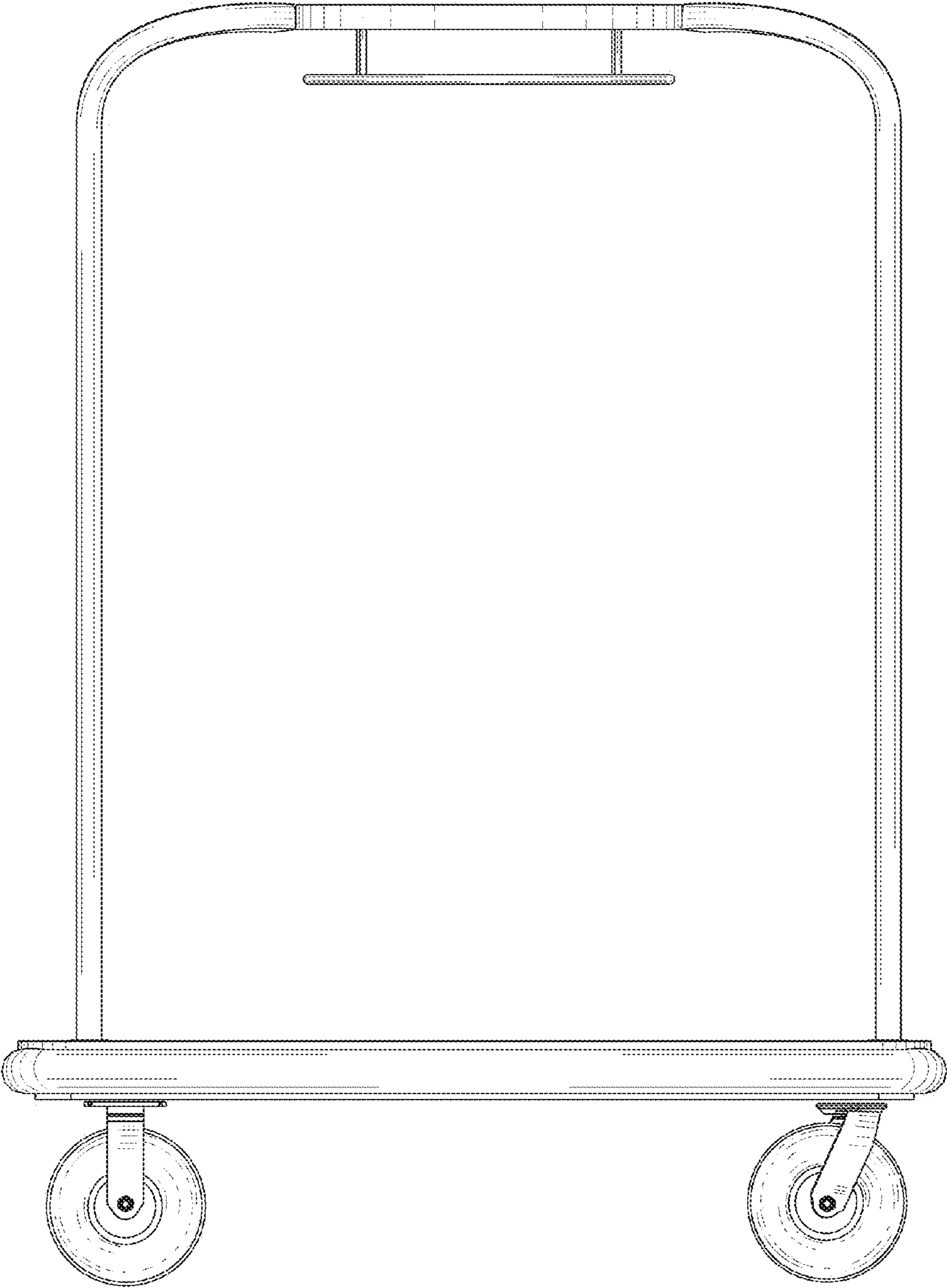


FIG. 2

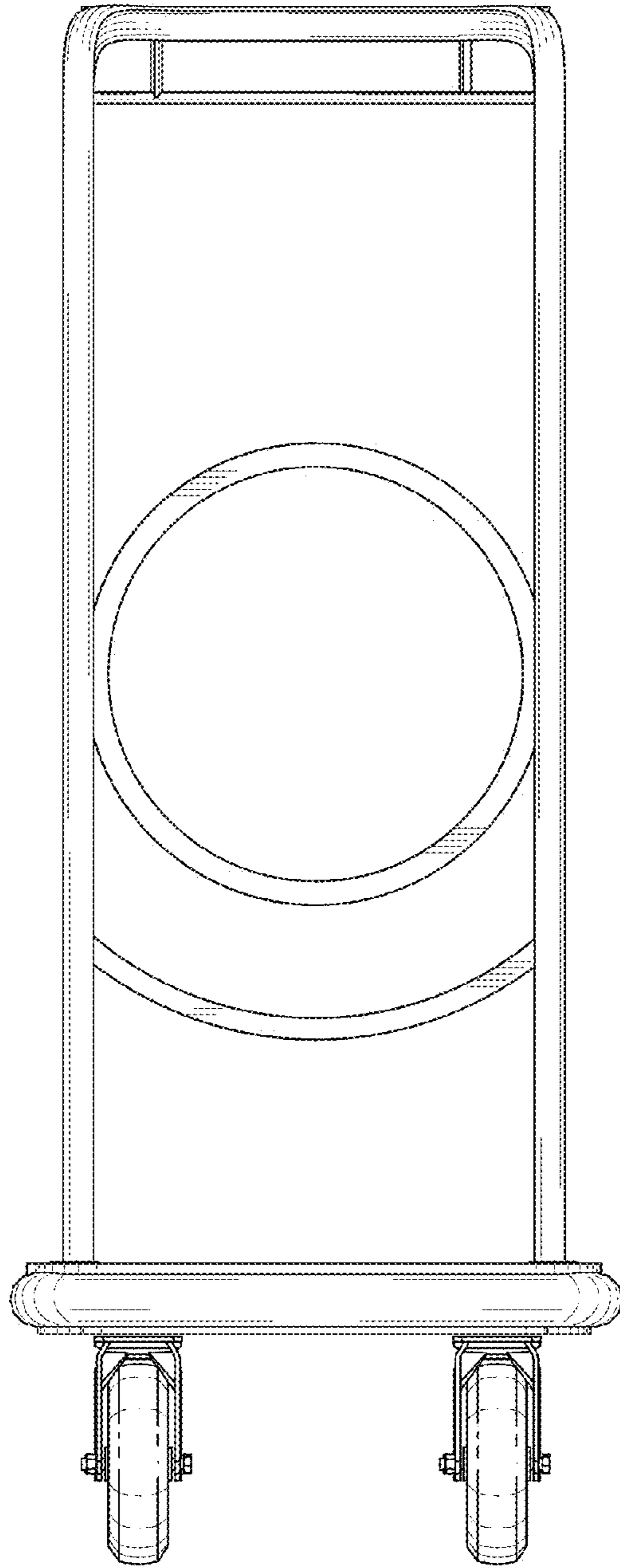


FIG. 3

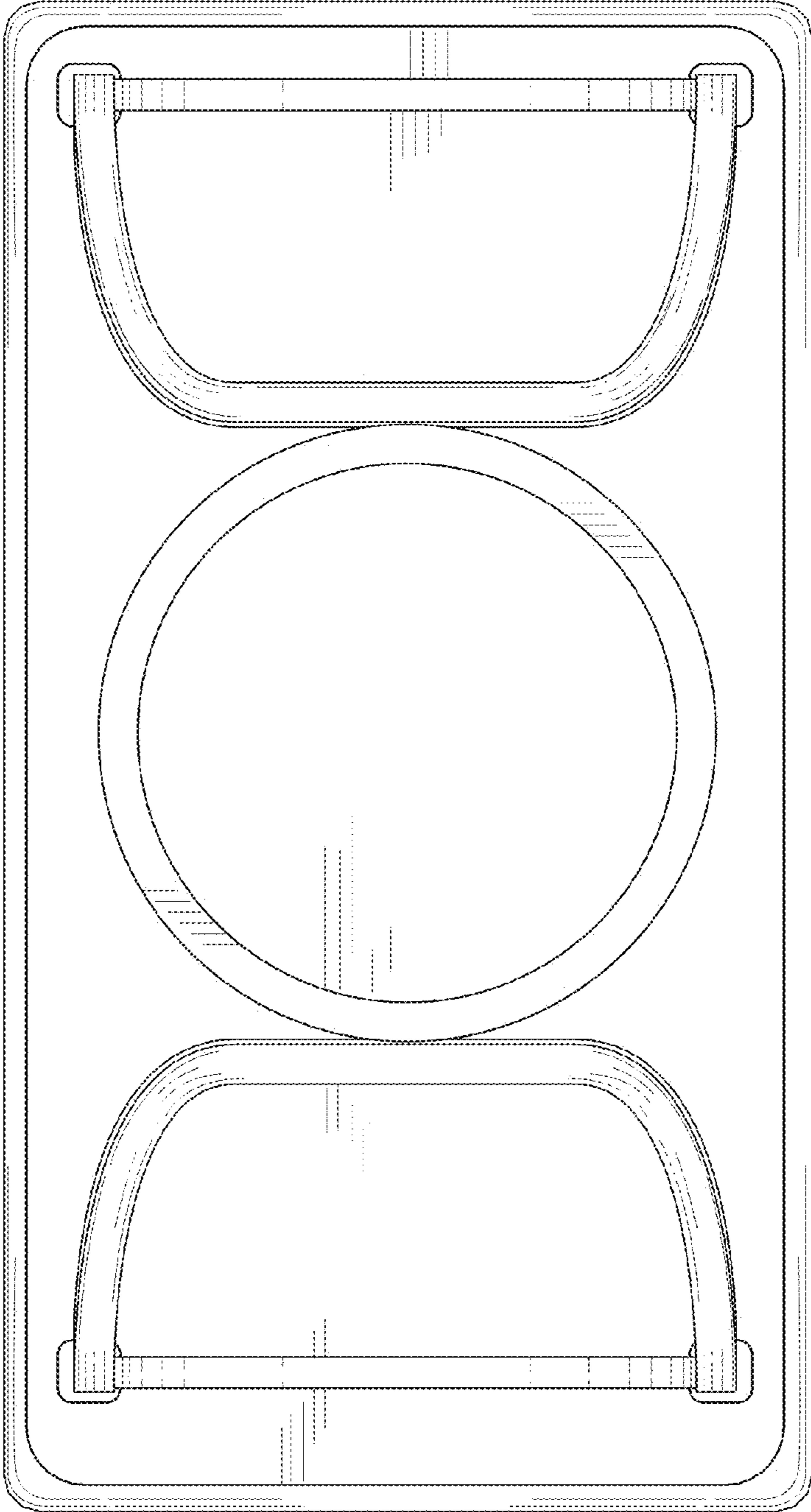


FIG. 4

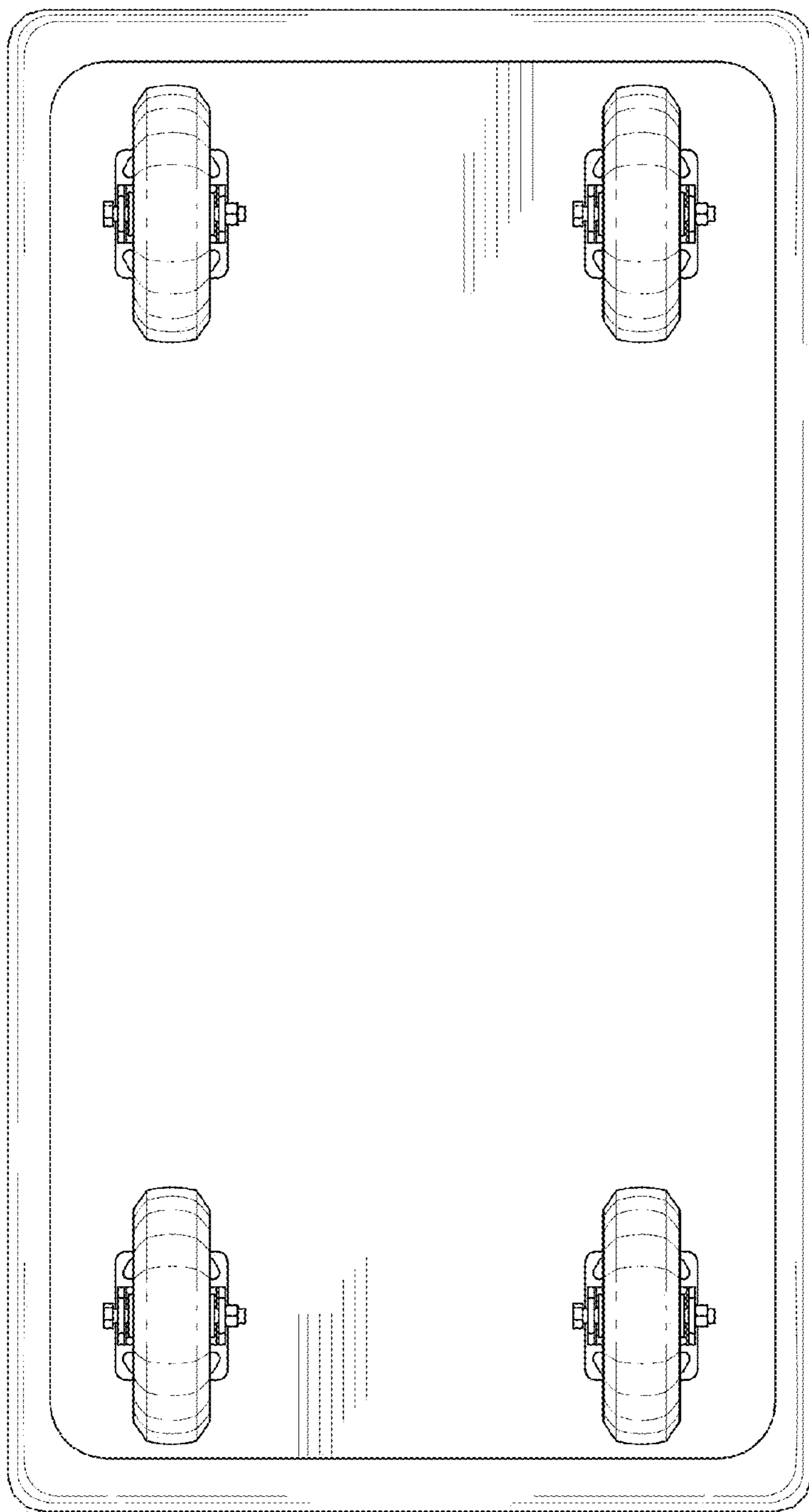


FIG. 5