



US00D743135S

(12) **United States Design Patent**
Pullen et al.

(10) **Patent No.:** **US D743,135 S**

(45) **Date of Patent:** **** Nov. 10, 2015**

(54) **CLEANING DEVICE**

(56) **References Cited**

(71) Applicant: **ENVIRONMENTAL SOLUTIONS INTERNATIONAL**, Batavia, IL (US)

U.S. PATENT DOCUMENTS

(72) Inventors: **Kent L. Pullen**, Downers Grove, IL (US); **Kenneth Arnswald**, Downers Grove, IL (US)

1,186,960 A *	6/1916	Wells	15/228
1,249,894 A *	12/1917	Brown	15/229.6
D90,703 S *	9/1933	Glover	D32/3
2,817,867 A	12/1957	Copelin	15/172

(Continued)

(73) Assignee: **KENT L. PULLEN, PRESIDENT ENVIRONMENTAL SOLUTIONS INTERNATIONAL**, Batavia, IL (US)

FOREIGN PATENT DOCUMENTS

CN	202376042 U	8/2012
GB	1128520 A	9/1968
GB	2 411 578 A	9/2005

Primary Examiner — John Windmuller

(**) Term: **14 Years**

(74) *Attorney, Agent, or Firm* — Winston & Strawn, LLP

(21) Appl. No.: **29/503,765**

(57) **CLAIM**

The ornamental design for a cleaning device, as shown and described.

(22) Filed: **Sep. 29, 2014**

DESCRIPTION

Related U.S. Application Data

(62) Division of application No. 29/468,412, filed on Sep. 30, 2013, now Pat. No. Des. 725,859.

(51) **LOC (10) Cl.** **04-01**

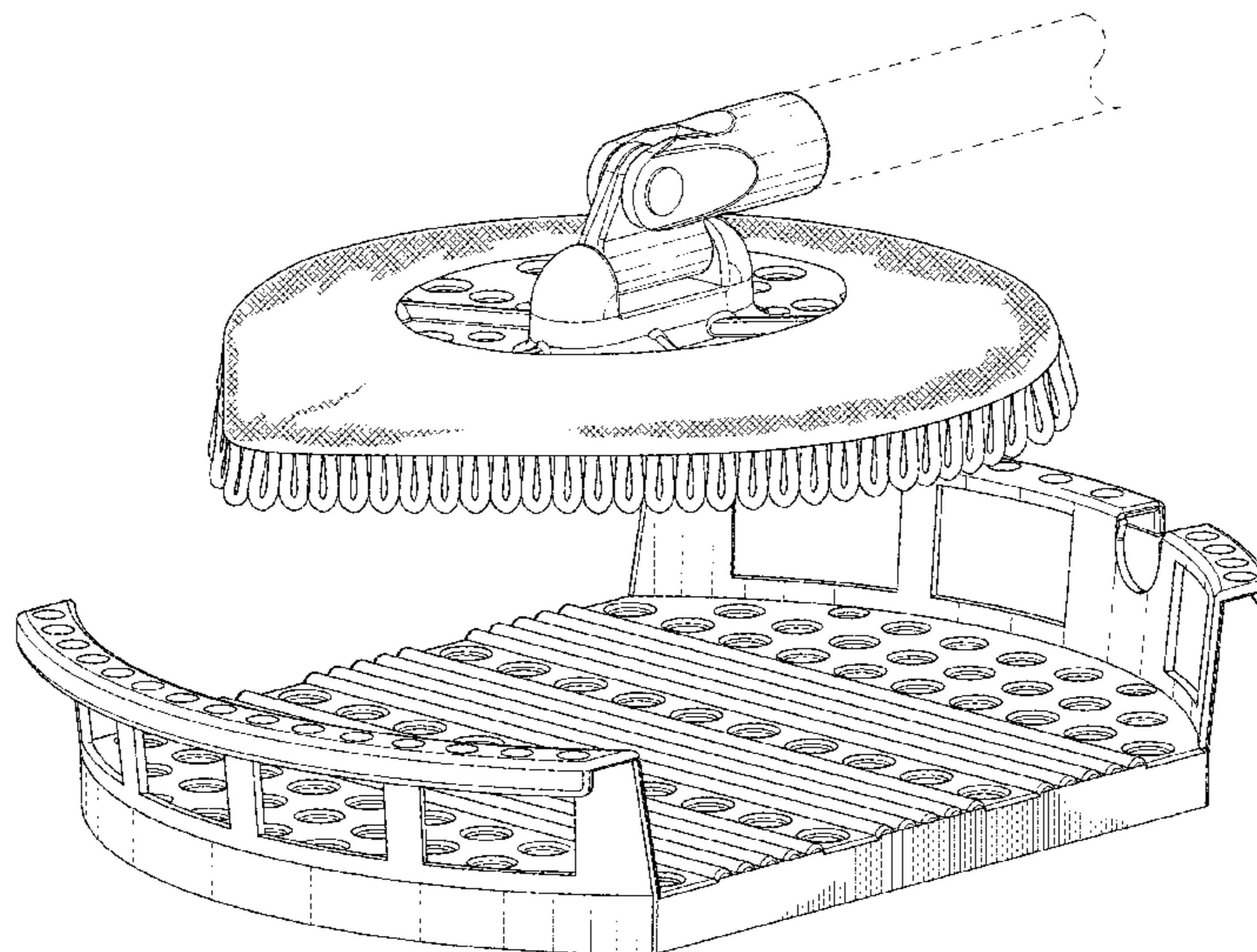
(52) **U.S. Cl.**
USPC **D32/50; D32/53**

(58) **Field of Classification Search**
USPC D32/40-45, 50-52, 55, 56, 53; 15/118, 15/244.1, 244.2, 244.3, 244.4, 116.1, 15/116.2, 119.1, 119.2, 104.9, 228, 229.2, 15/229.4; 401/135-140

See application file for complete search history.

FIG. 1 is a perspective view of a first embodiment of the new design for cleaning device;
FIG. 2 is a front view of the device of FIG. 1;
FIG. 3 is a back view of the device of FIG. 1;
FIG. 4 is a right side view of the device of FIG. 1;
FIG. 5 is a left side view of the device of FIG. 1;
FIG. 6 is a top view of the device of FIG. 1;
FIG. 7 is a bottom view of the device of FIG. 1;
FIG. 8 is a perspective view of a second embodiment of the new design for cleaning device;
FIG. 9 is a front view of the device of FIG. 8;
FIG. 10 is a back view of the device of FIG. 8;
FIG. 11 is a right side view of the device of FIG. 8;
FIG. 12 is a left side view of the device of FIG. 8;
FIG. 13 is a top view of the device of FIGS. 8; and
FIG. 14 is a bottom view of the device of FIG. 8.
The broken lines in the drawings are shown for illustrative purposes only and form no part of the claimed design.

1 Claim, 14 Drawing Sheets



(56)

References Cited

U.S. PATENT DOCUMENTS

D185,727 S * 7/1959 Yamen et al. D32/50
 3,076,216 A 2/1963 Anderson 15/116.2
 D214,287 S * 5/1969 Anderson D32/50
 D254,482 S * 3/1980 Bell D9/435
 4,524,484 A 6/1985 Graham 16/429
 4,794,663 A 1/1989 Vosbikian 15/229.6
 D317,570 S * 6/1991 Kryk D9/434
 D349,375 S * 8/1994 Berti D32/50
 D353,920 S * 12/1994 Daiker D32/54
 5,406,670 A 4/1995 Juratovac et al. 15/229.2
 D360,929 S * 8/1995 Albertson D23/209
 D398,663 S * 9/1998 Freeland D21/532
 D407,901 S 4/1999 Burton D4/135
 D414,005 S * 9/1999 Lehnertz D32/45
 D419,874 S * 2/2000 Smith D9/440
 D468,878 S * 1/2003 Reede D32/50
 6,842,937 B2 1/2005 Li 15/236.04
 D518,143 S * 3/2006 Weidler et al. D23/209

D549,415 S * 8/2007 Trotter et al. D32/50
 7,318,247 B2 * 1/2008 Libman et al. 15/260
 D591,956 S * 5/2009 Treacy D4/199
 D611,212 S * 3/2010 Kaminer et al. D32/40
 D611,214 S * 3/2010 Kaminer et al. D32/50
 D647,677 S * 10/2011 Dammkoehler D32/51
 D662,819 S * 7/2012 Broman et al. D9/454
 8,266,756 B1 9/2012 Kovarik 15/210.1
 8,272,801 B2 9/2012 Linzell 401/261
 D670,882 S * 11/2012 Meredith D32/55
 D683,509 S * 5/2013 Tseng D32/50
 D688,434 S * 8/2013 Kinskey et al. D32/53
 D693,078 S * 11/2013 Nordvik D32/50
 D723,758 S * 3/2015 Lentine D32/53
 2004/0064909 A1 4/2004 Locklear 15/160
 2005/0283933 A1 * 12/2005 Mitchell et al. 15/144.1
 2006/0117510 A1 6/2006 Sellers 15/160
 2006/0168748 A1 * 8/2006 Dotterman et al. 15/115
 2007/0186365 A1 8/2007 Armaly, Jr. 15/244.1
 2010/0065082 A1 3/2010 Dinh 134/6

* cited by examiner

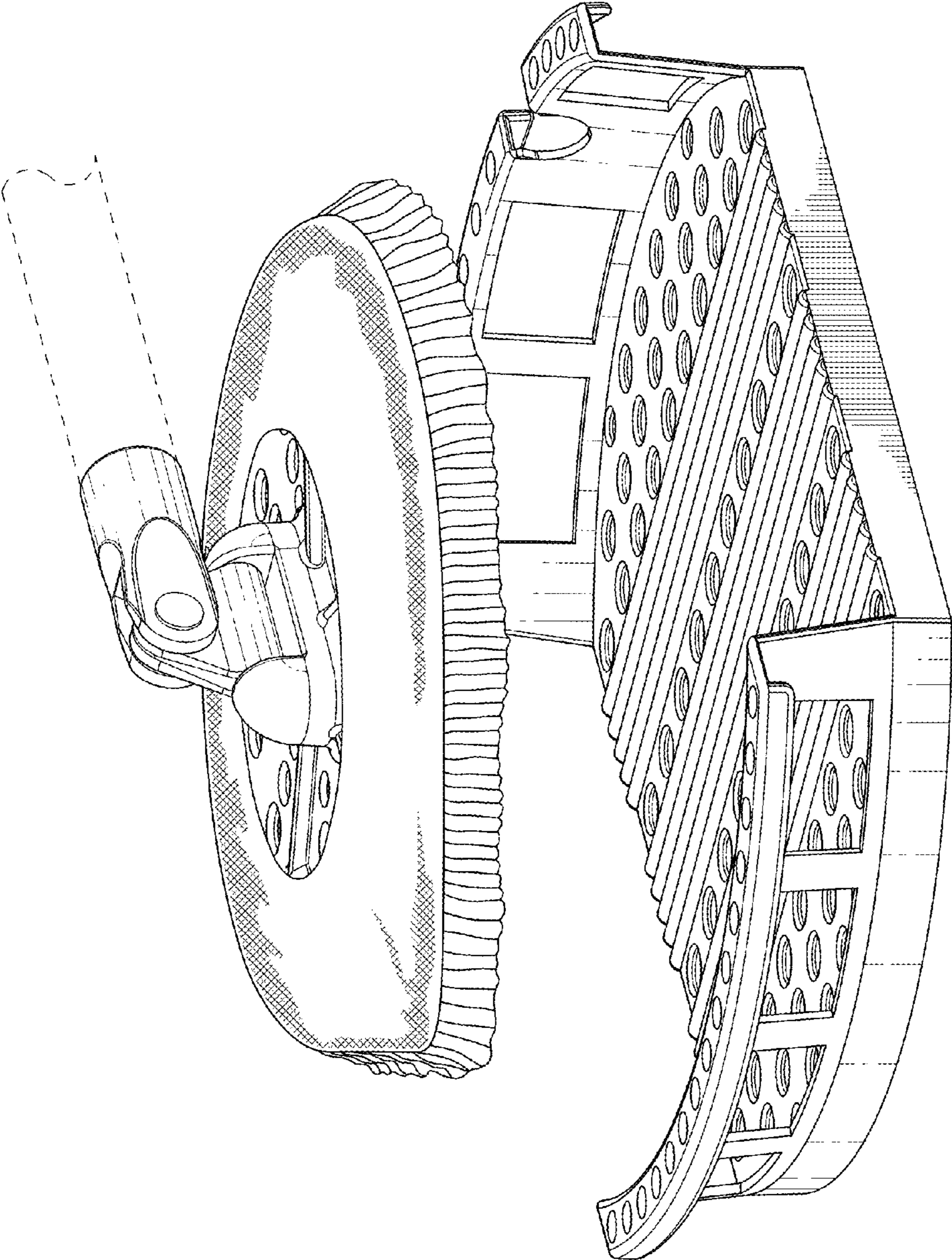


FIG. 1

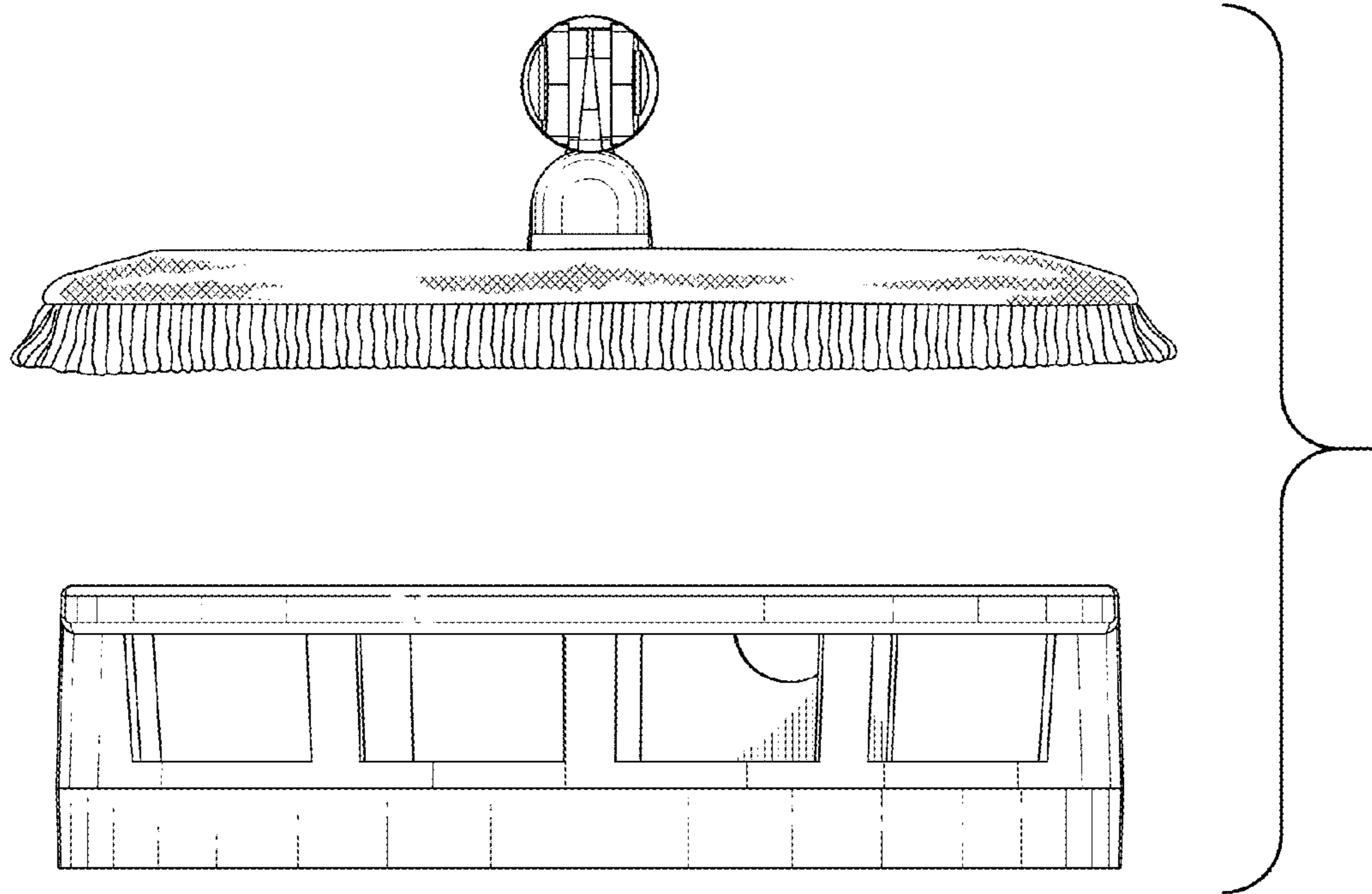


FIG. 2

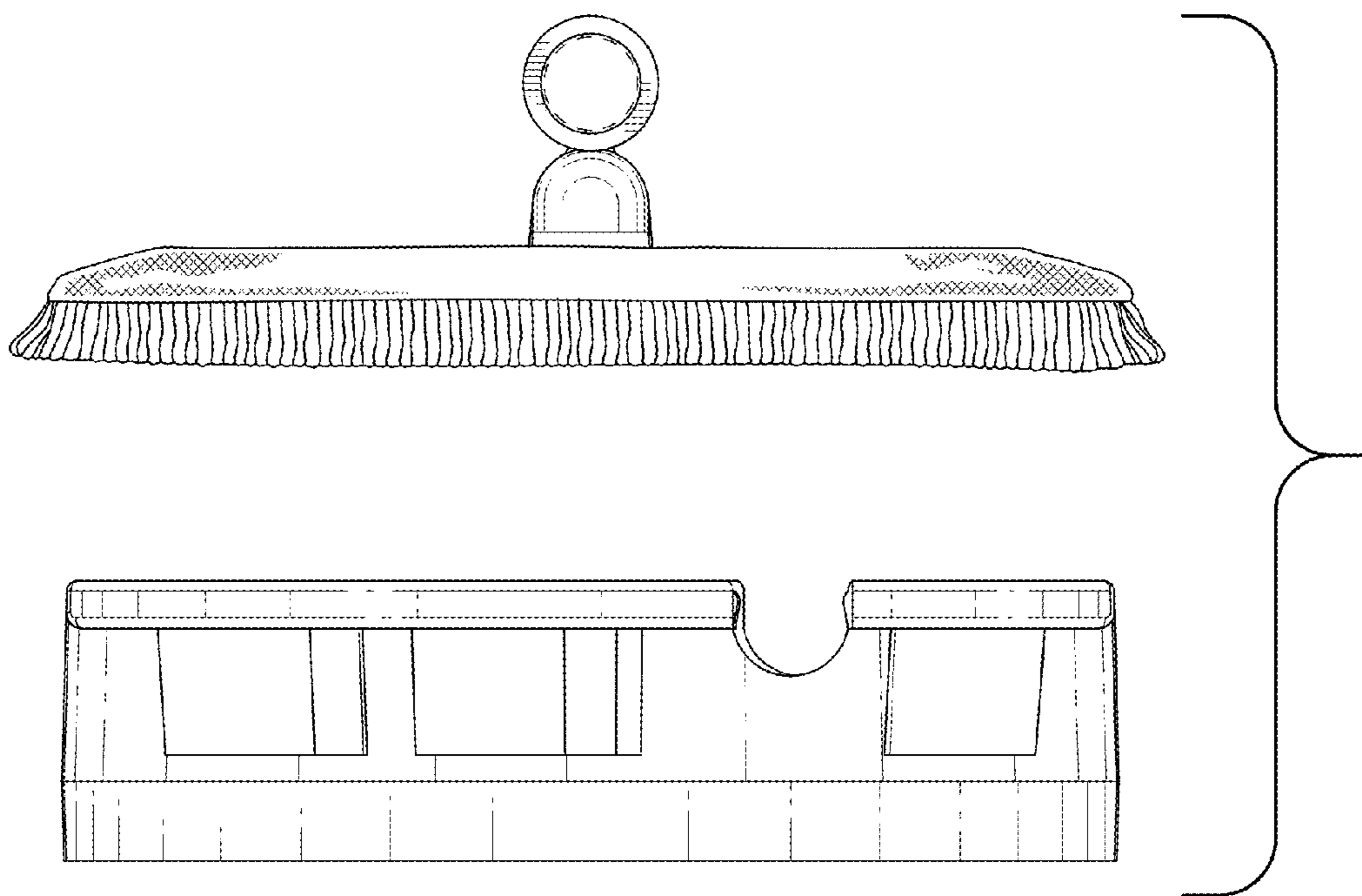


FIG. 3

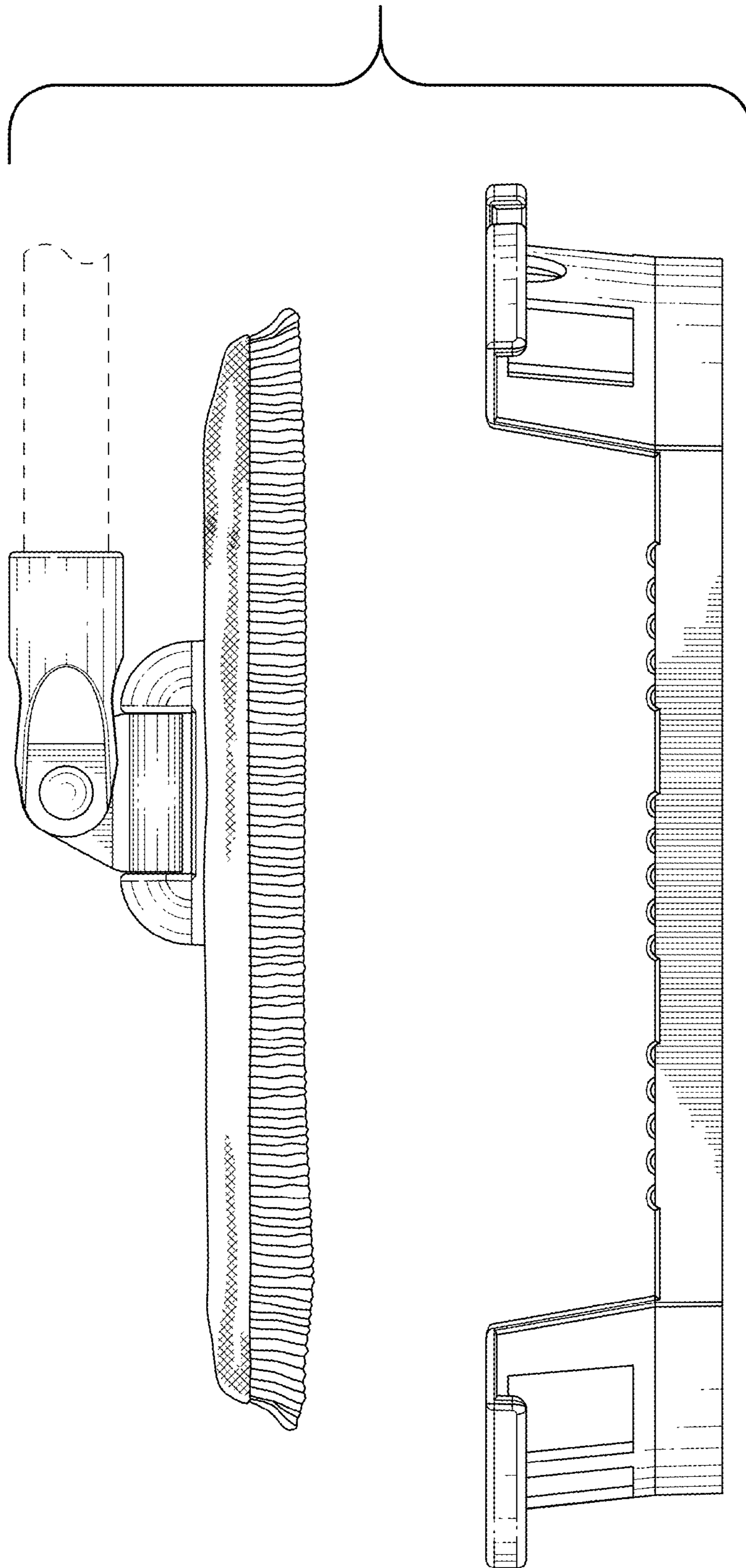


FIG. 4

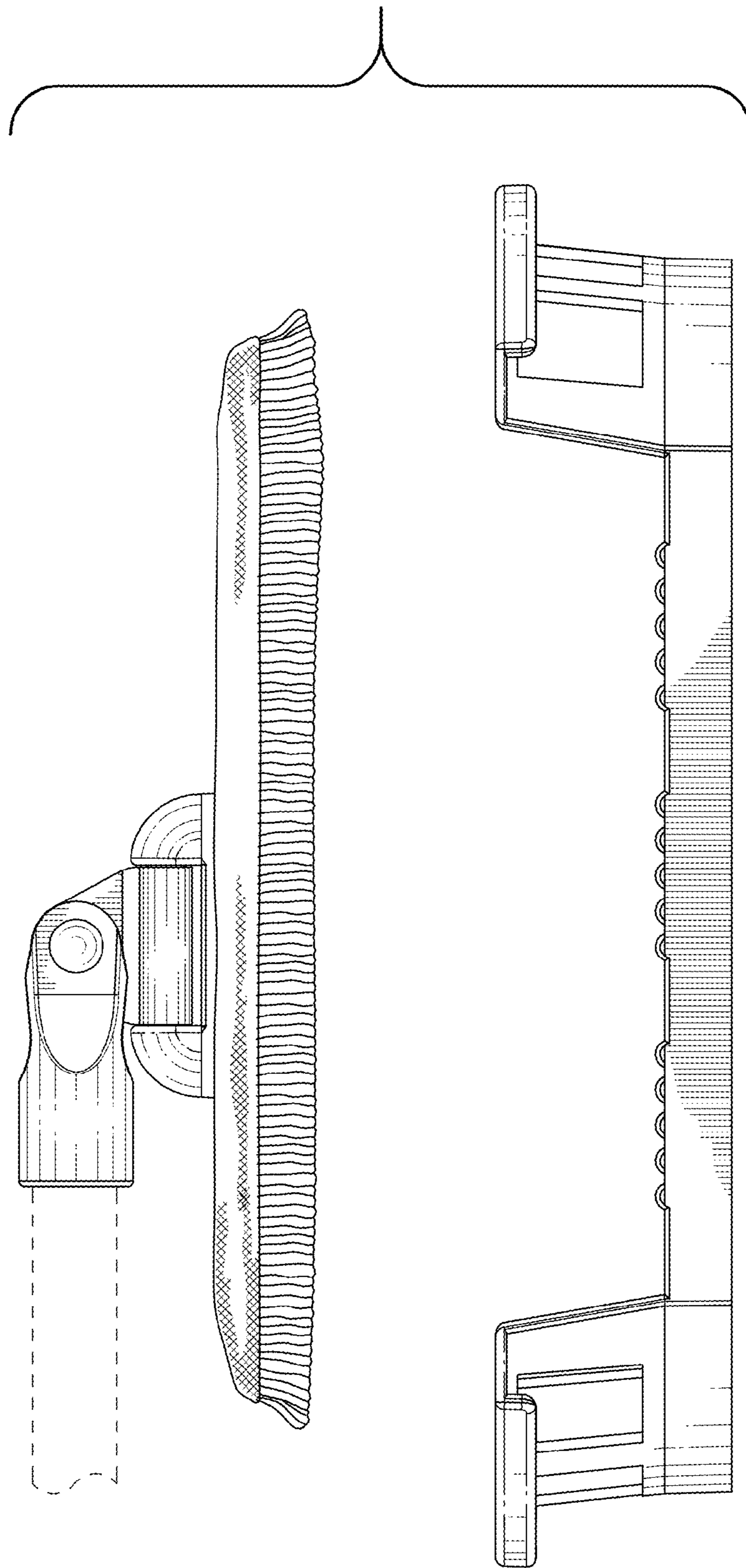


FIG. 5

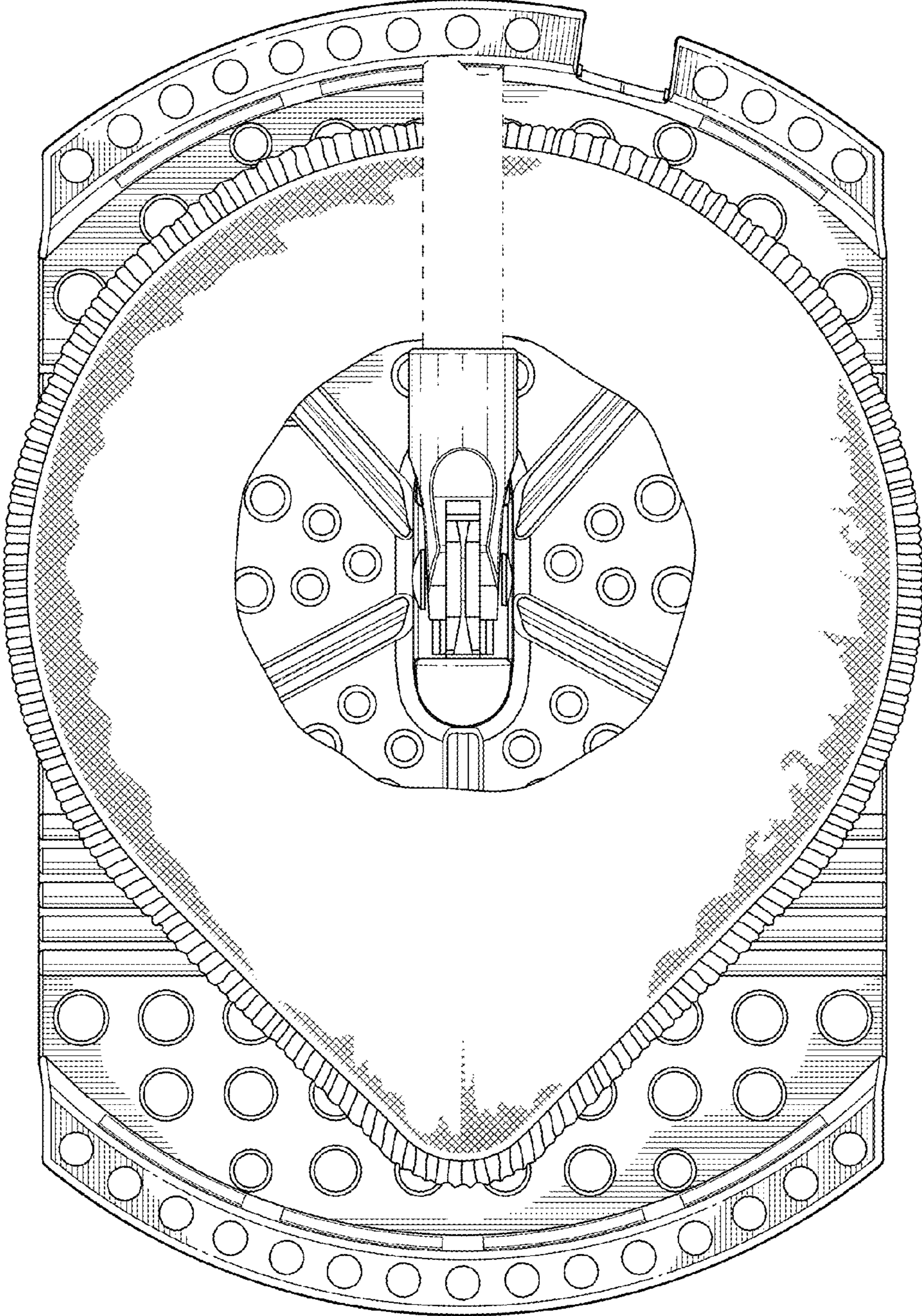


FIG. 6

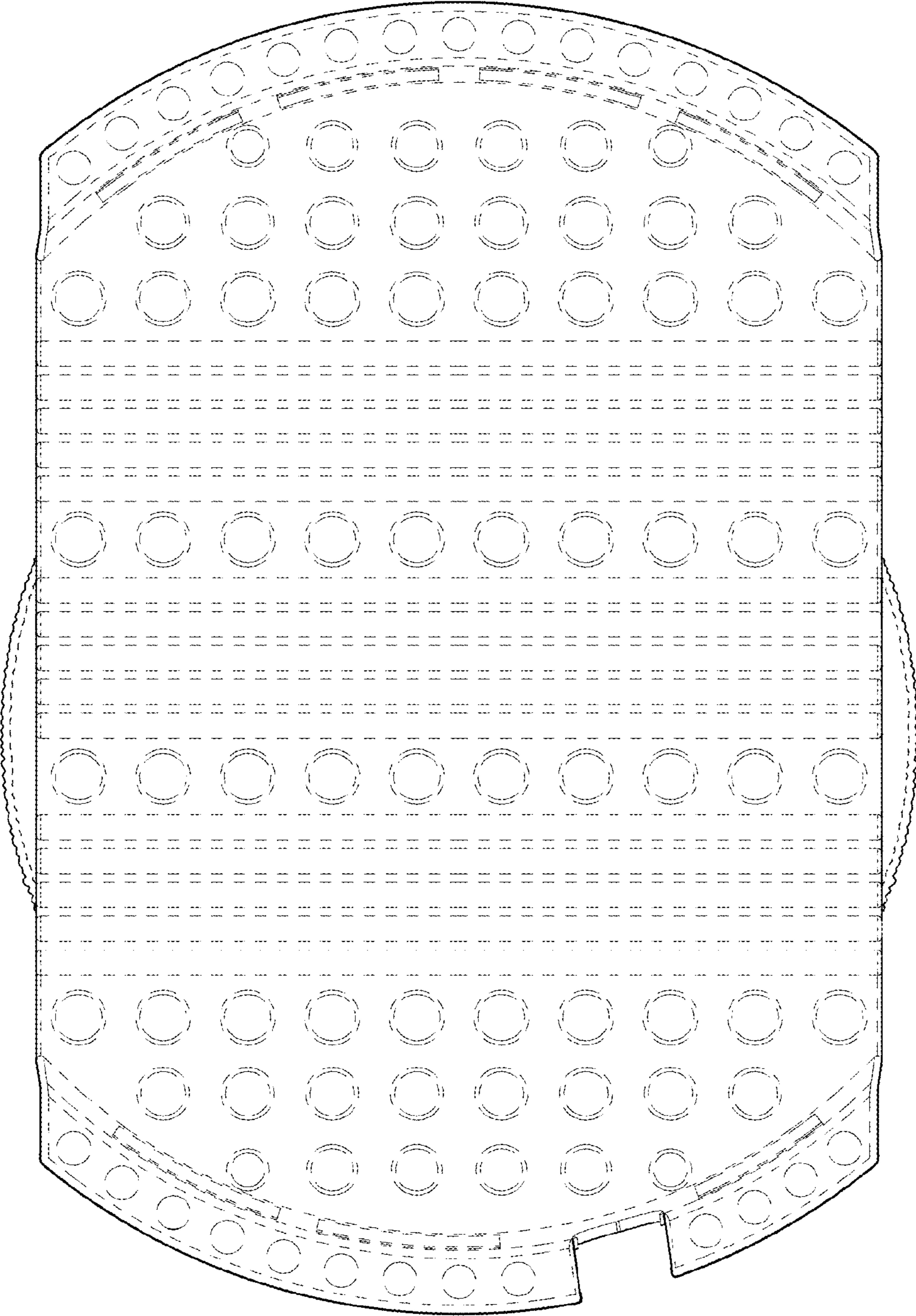


FIG. 7

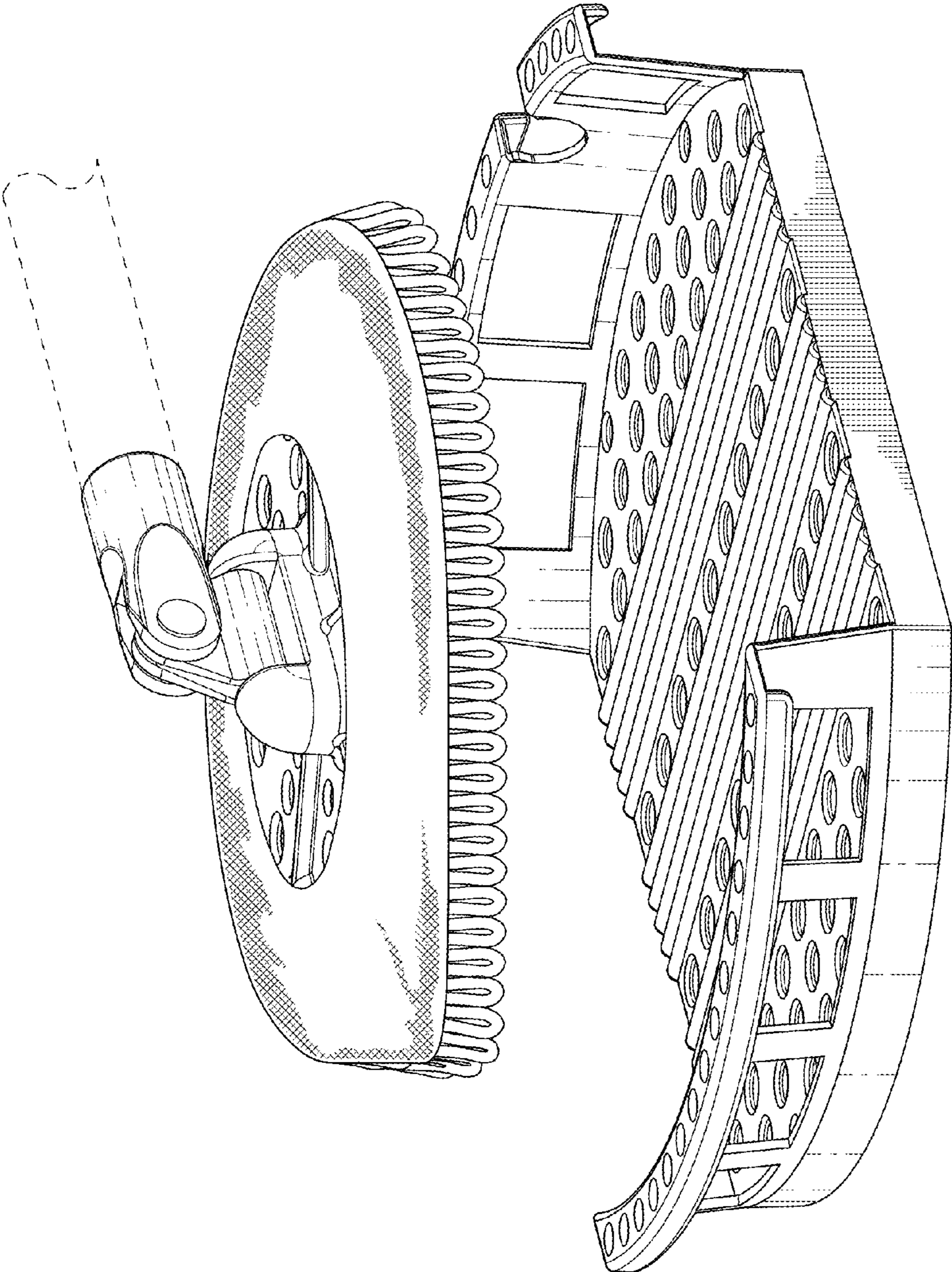


FIG. 8

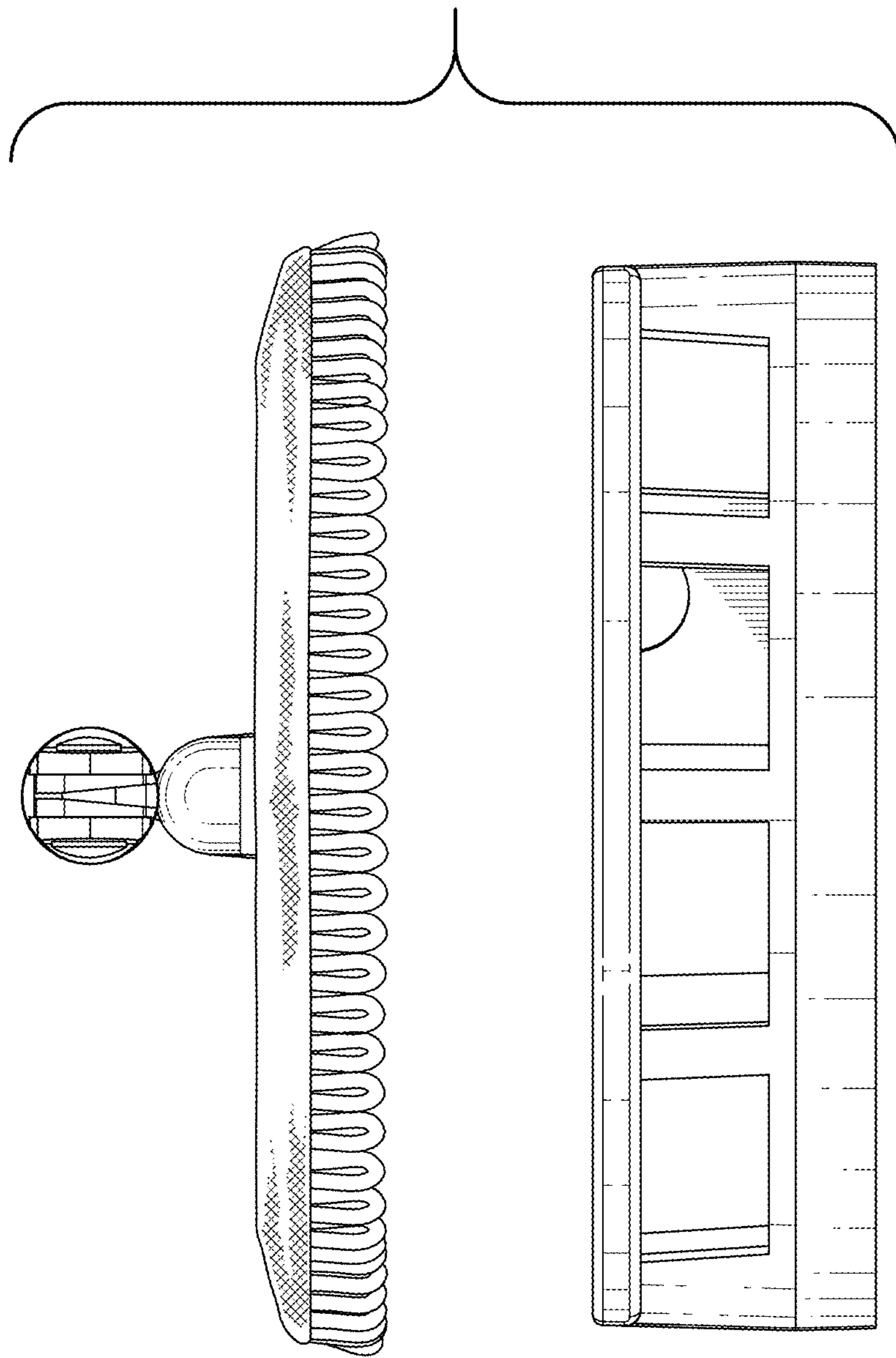


FIG. 9

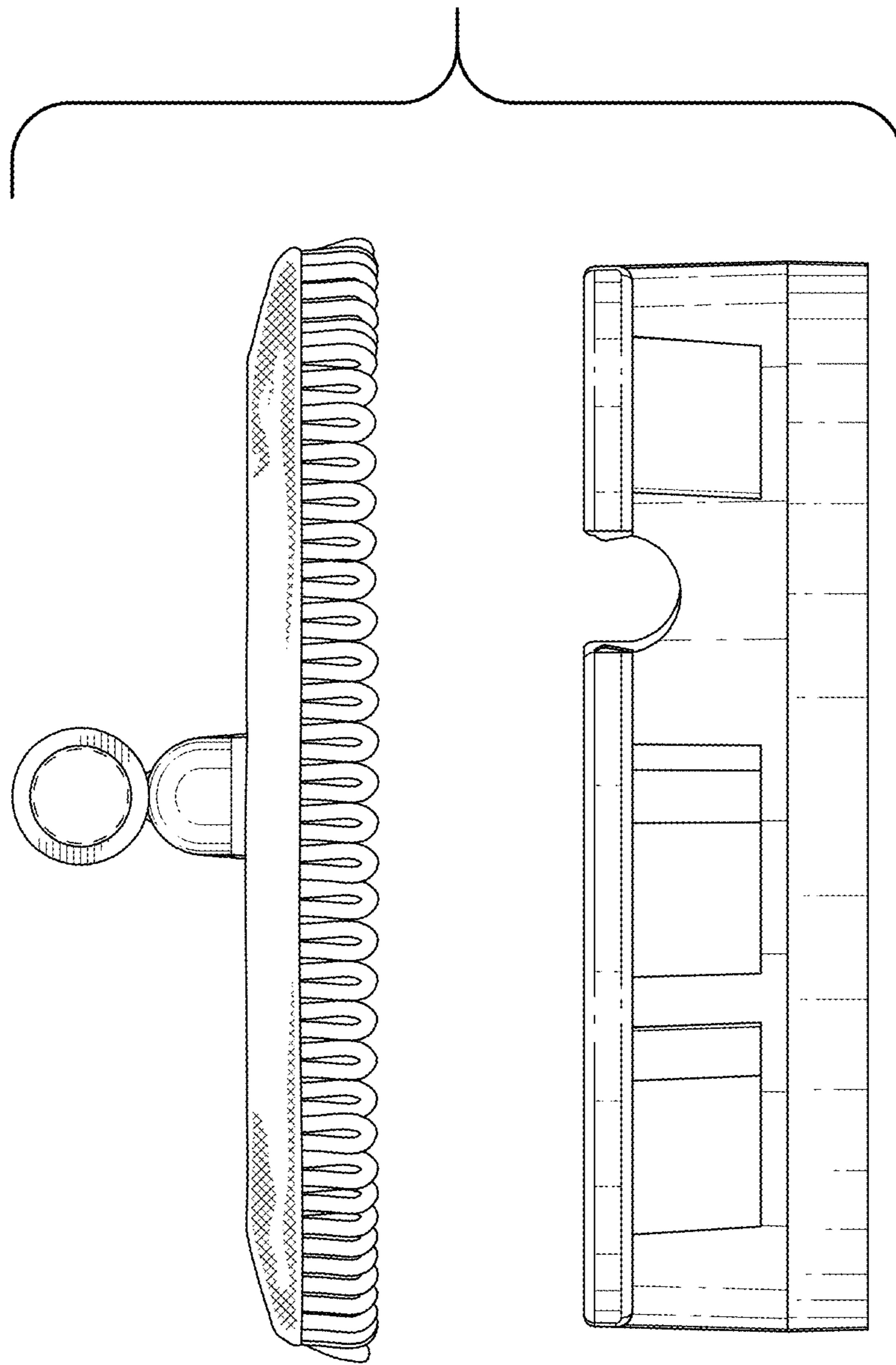


FIG. 10

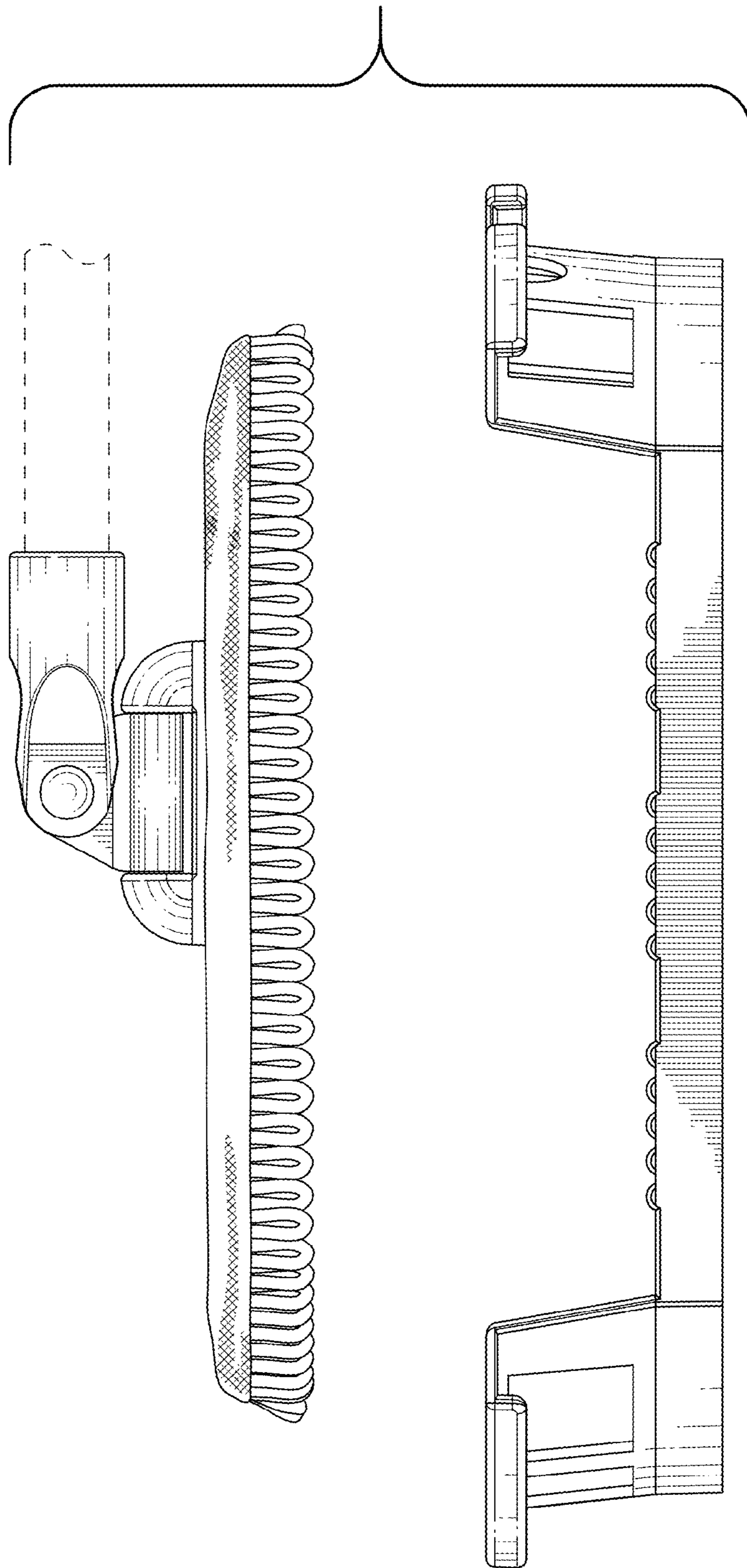


FIG. 11

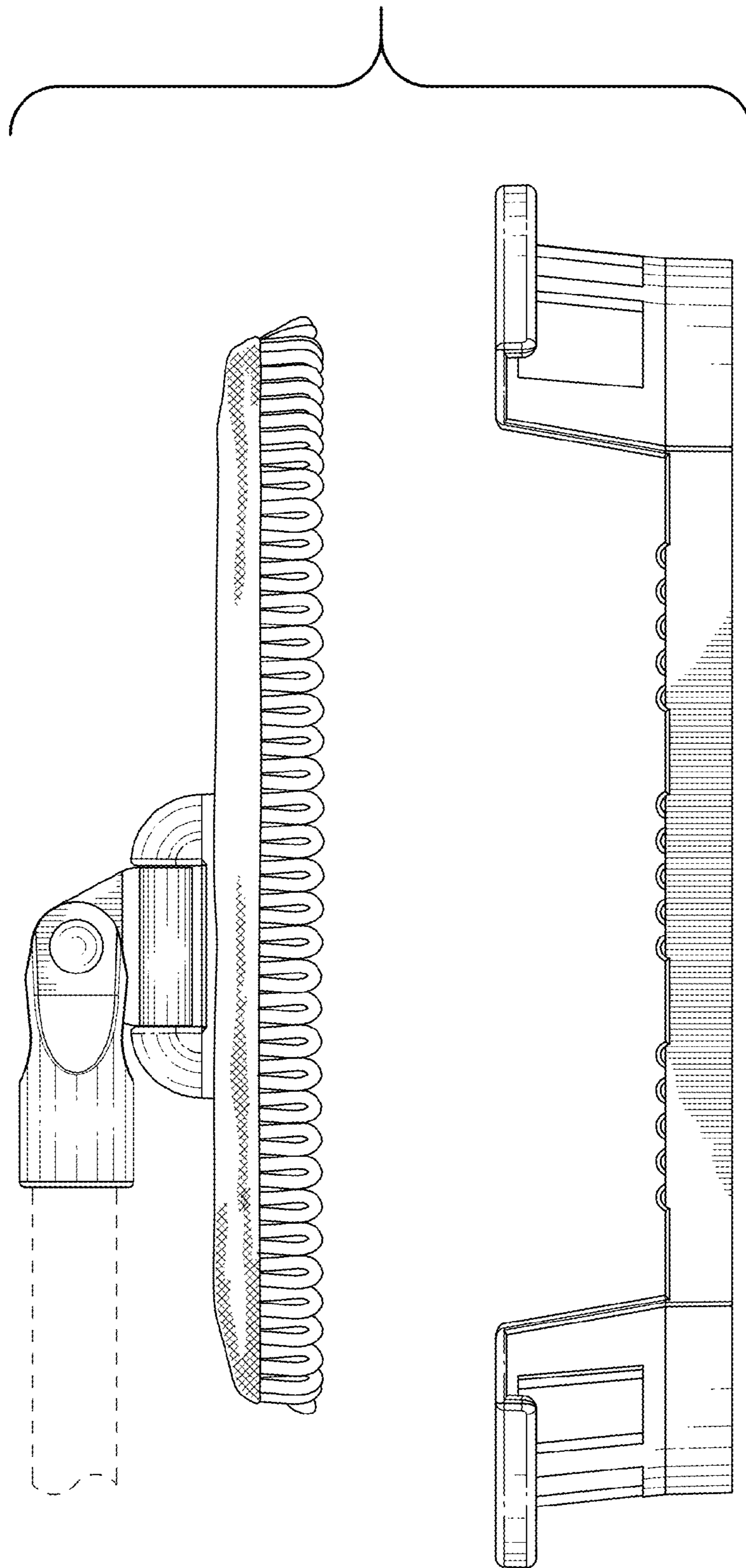


FIG. 12

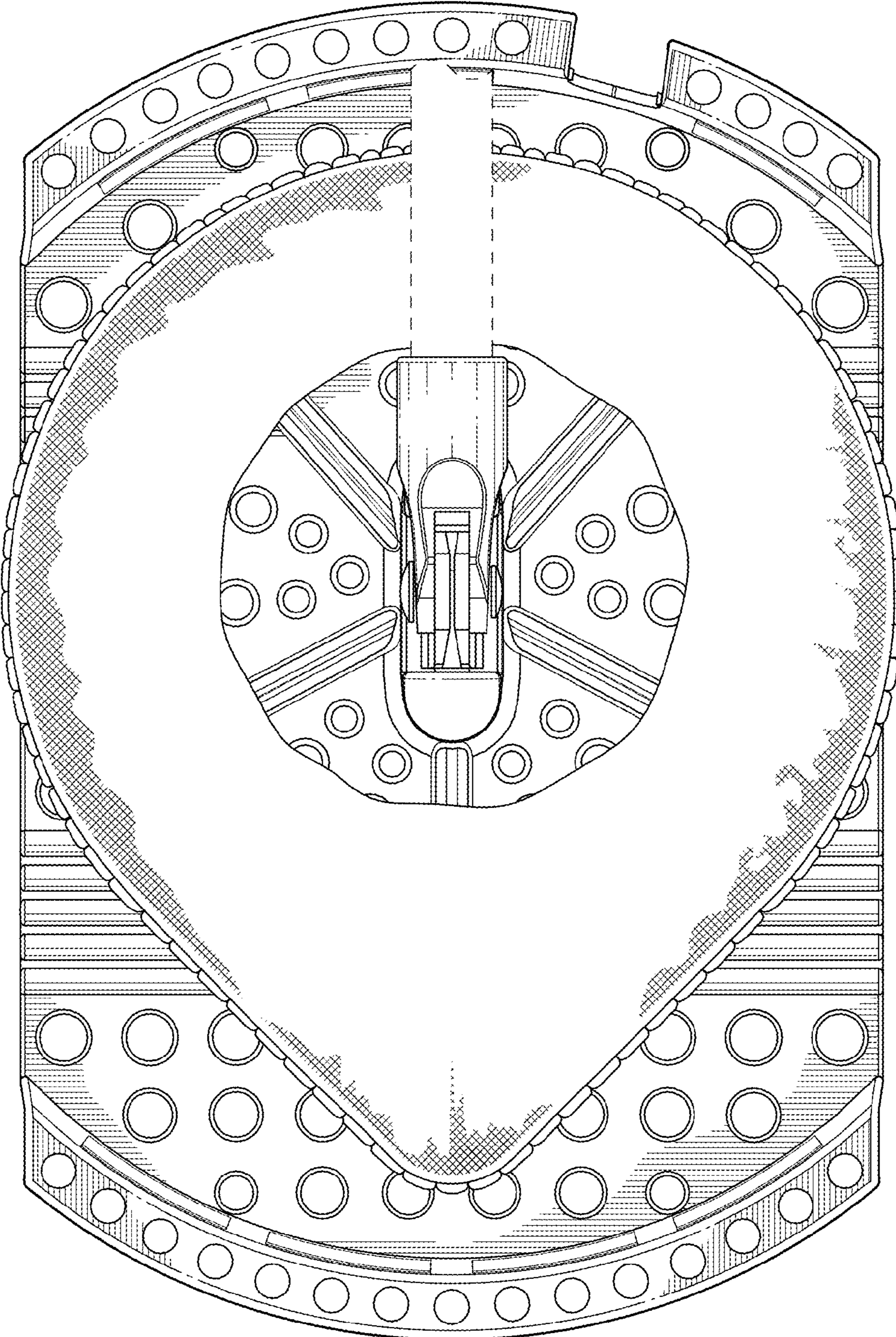


FIG. 13

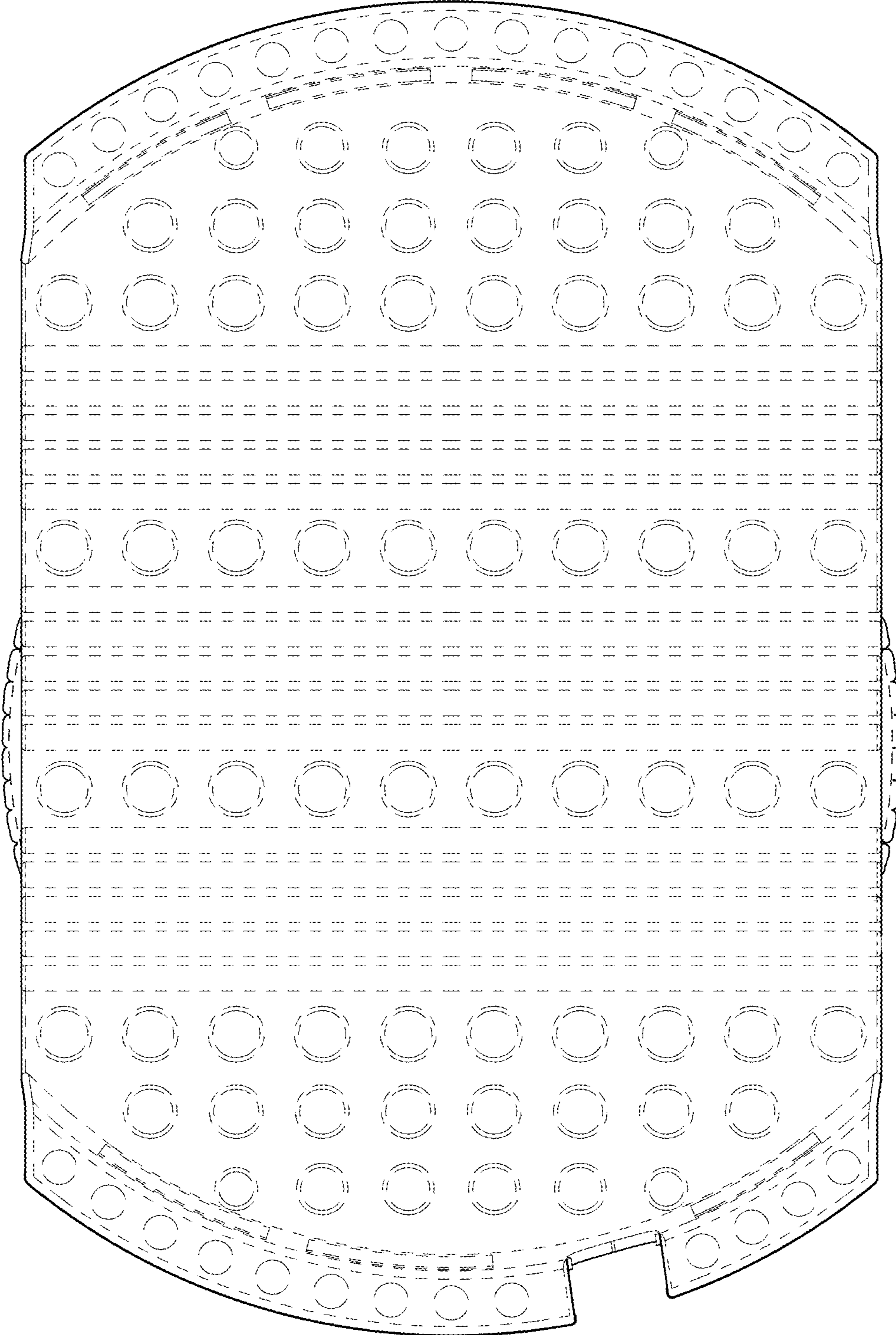


FIG. 14