



US00D743133S

(12) **United States Design Patent**
Shin

(10) **Patent No.:** **US D743,133 S**

(45) **Date of Patent:** **** Nov. 10, 2015**

(54) **MOP PAD**

(71) Applicant: **Manchul Shin**, New York, NY (US)

(72) Inventor: **Manchul Shin**, New York, NY (US)

(**) Term: **14 Years**

(21) Appl. No.: **29/499,028**

(22) Filed: **Aug. 11, 2014**

(51) **LOC (10) Cl.** **04-01**

(52) **U.S. Cl.**
USPC **D32/40**

(58) **Field of Classification Search**

USPC D32/40-50; 15/208, 209.1,
15/229.1-229.4, 227, 228, 210.1, 119.1,
15/220.2, 118, 244.1, 244.4
CPC A47L 13/16; A47L 13/46; A47L 13/24;
A47L 13/18; A47L 13/20; A47L 13/22
See application file for complete search history.

(56) **References Cited**

U.S. PATENT DOCUMENTS

1,585,006 A * 5/1926 Zell 15/228
4,914,778 A * 4/1990 Thompson 15/229.4

D426,039 S * 5/2000 Tintelnot et al. D32/40
6,606,757 B2 * 8/2003 Vosbikian et al. 15/118
D560,868 S * 1/2008 So D32/40
D575,918 S * 8/2008 Rosenzweig et al. D32/40
7,743,453 B2 * 6/2010 Kresse et al. 15/228
D622,921 S * 8/2010 Rosenzweig et al. D32/40
7,779,502 B2 * 8/2010 Fujiwara et al. 15/229.4
D636,136 S * 4/2011 Hoyle et al. D32/50

* cited by examiner

Primary Examiner — Robin V Webster

(74) *Attorney, Agent, or Firm* — John H. Choi

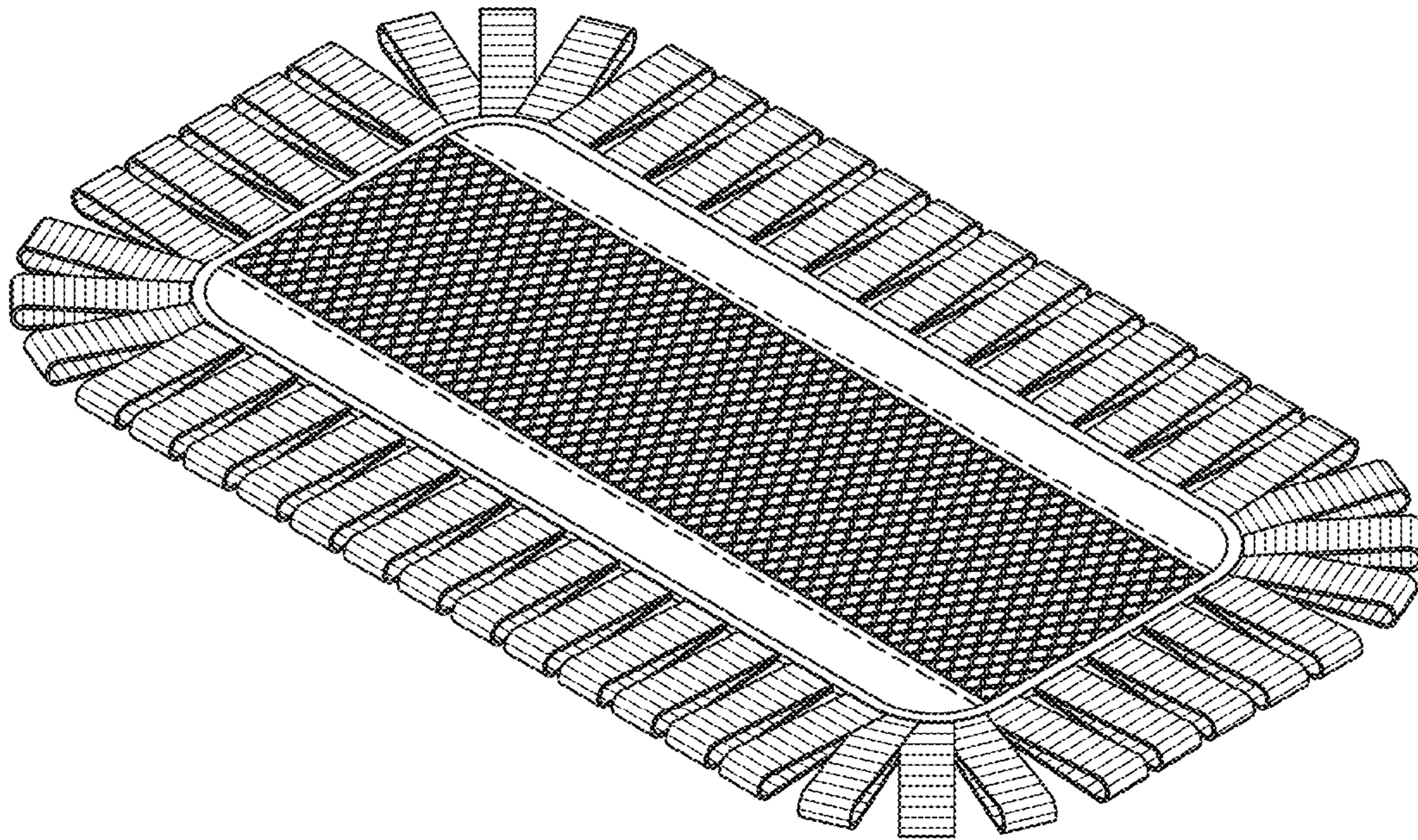
(57) **CLAIM**

The ornamental design for a mop pad, as shown and described.

DESCRIPTION

FIG. 1 is a top perspective view of a mop pad showing my new design;
FIG. 2 is a top view of the mop pad shown in FIG. 1;
FIG. 3 is a bottom view of the mop pad shown in FIG. 1;
FIG. 4 is a front view of the mop pad shown in FIG. 1, the rear view being a mirror image of that which is shown; and,
FIG. 5 is a right side view of the mop pad shown in FIG. 1, the left side view being a mirror image of that which is shown.

1 Claim, 5 Drawing Sheets



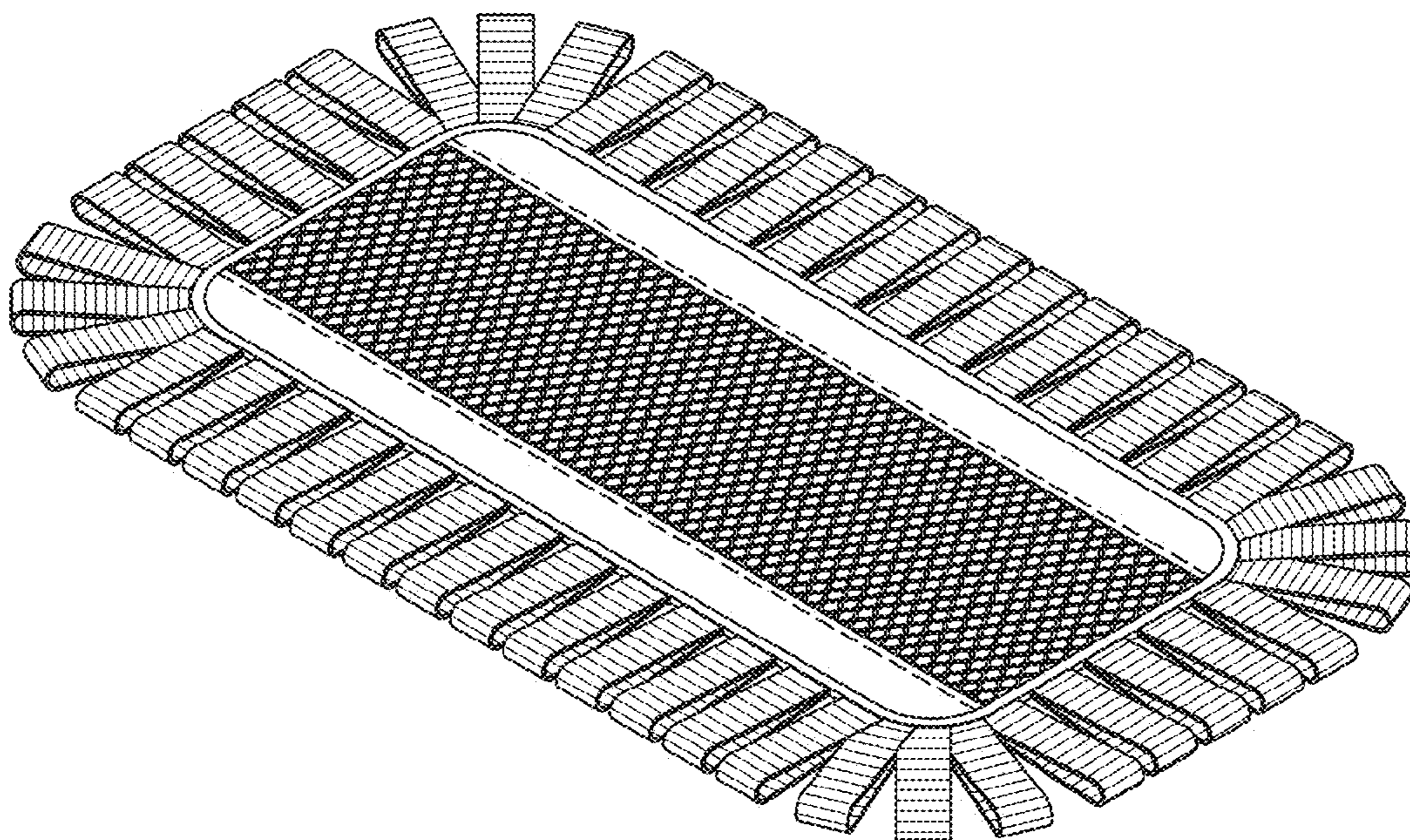


FIG. 1

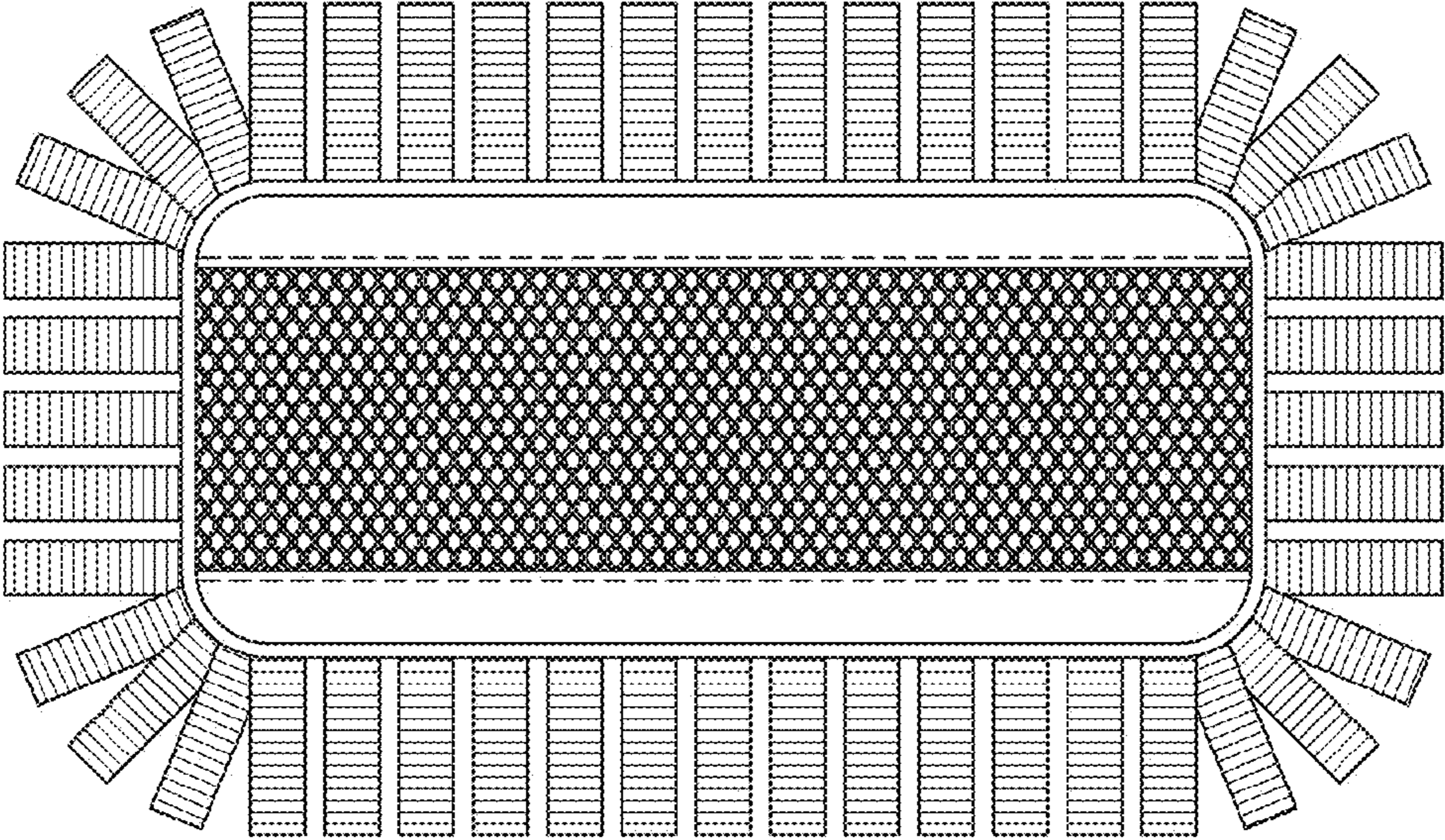


FIG. 2

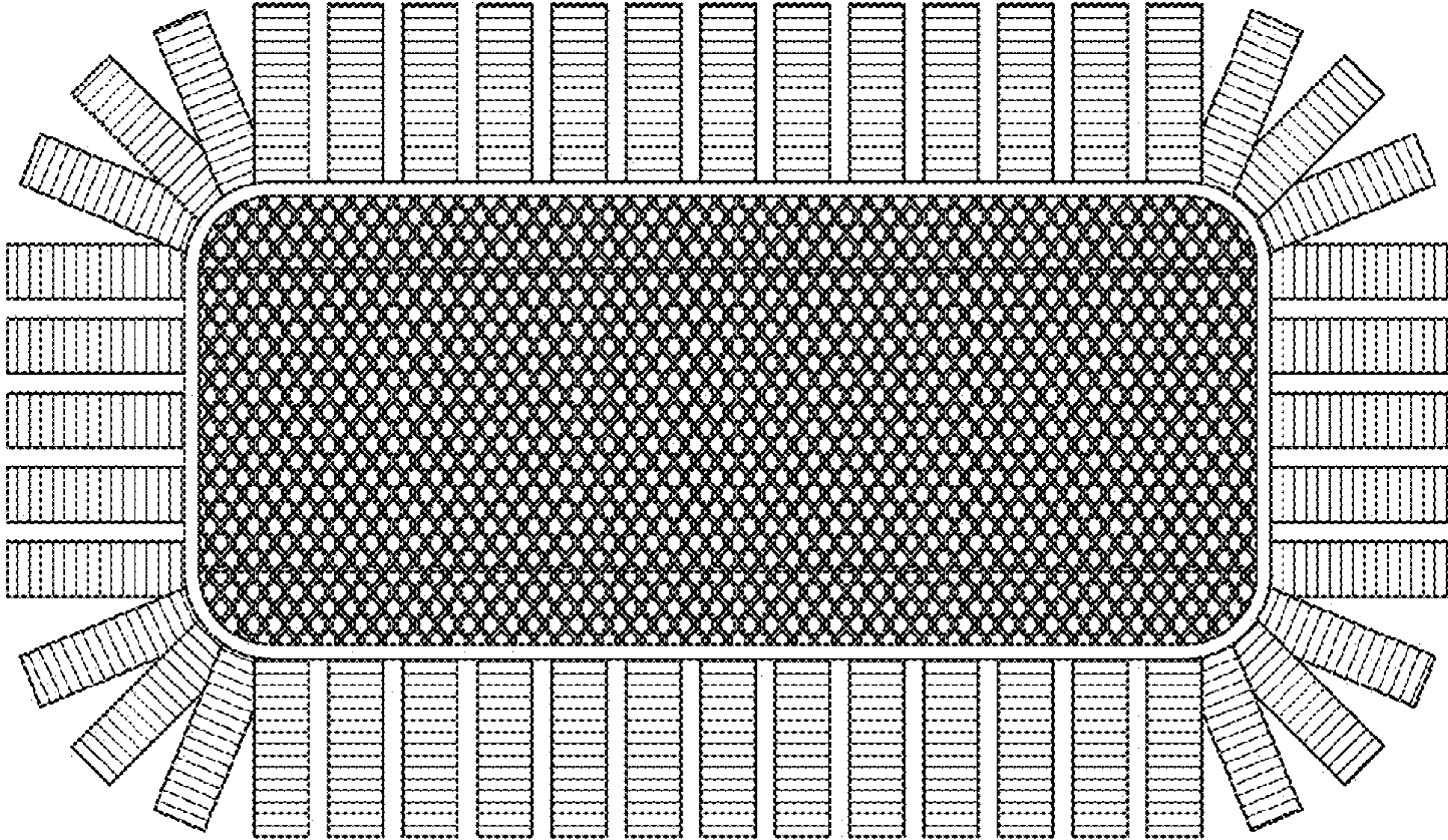


FIG. 3



FIG. 4

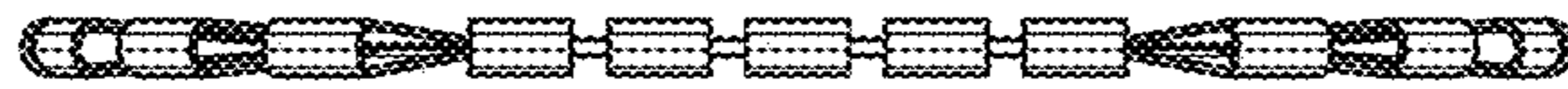


FIG. 5