



US00D743131S

(12) **United States Design Patent**  
**Jeon et al.**

(10) **Patent No.:** **US D743,131 S**

(45) **Date of Patent:** **\*\* Nov. 10, 2015**

- (54) **DRUM FOR WASHING MACHINE**
- (71) Applicant: **Samsung Electronics Co., Ltd.**,  
Suwon-si (KR)
- (72) Inventors: **Jong Su Jeon**, Seongnam-si (KR); **Ha Young Jang**, Seoul (KR); **Jaewon Choi**,  
Seoul (KR)
- (73) Assignee: **Samsung Electronics Co., Ltd.**,  
Suwon-si (KR)

D528,719	S	*	9/2006	No et al.	.....	D32/29
D532,566	S	*	11/2006	Park	.....	D32/29
D532,940	S	*	11/2006	Park	.....	D32/6
D556,404	S	*	11/2007	Park et al.	.....	D32/25
D652,591	S	*	1/2012	Kim	.....	D32/25
D668,826	S	*	10/2012	An et al.	.....	D32/29
D674,157	S	*	1/2013	Taewan et al.	.....	D32/29
D683,092	S	*	5/2013	Taewan et al.	.....	D32/29
D700,411	S	*	2/2014	Ha et al.	.....	D32/29
D720,901	S	*	1/2015	Bangle et al.	.....	D32/29
D720,902	S	*	1/2015	Bangle et al.	.....	D32/29
D722,212	S	*	2/2015	Kim et al.	.....	D32/29
D722,733	S	*	2/2015	Kim et al.	.....	D32/29
2006/0005585	A1	*	1/2006	Lee et al.	.....	68/142

(\*\*) Term: **14 Years**

\* cited by examiner

(21) Appl. No.: **29/495,104**

*Primary Examiner* — T. Chase Nelson

(22) Filed: **Jun. 27, 2014**

*Assistant Examiner* — Michelle E Wilson

(30) **Foreign Application Priority Data**

(74) *Attorney, Agent, or Firm* — NSIP Law

Jan. 3, 2014 (KR) ..... 30-2014-0000533

(51) **LOC (10) Cl.** ..... **15-05**

(52) **U.S. Cl.**  
USPC ..... **D32/29**

(58) **Field of Classification Search**  
USPC ..... D32/1, 25, 29  
CPC ..... D06F 58/00; D06F 58/02; D06F 58/04;  
D06F 58/20  
See application file for complete search history.

(56) **References Cited**

U.S. PATENT DOCUMENTS

D174,702	S	*	5/1955	Oberg	.....	D32/29
2,716,820	A	*	9/1955	Bourner	.....	34/82
4,888,965	A	*	12/1989	Fanson et al.	.....	68/23.4
5,287,989	A	*	2/1994	Luther	.....	220/676
D358,204	S	*	5/1995	Ferrier	.....	D23/314
5,881,909	A	*	3/1999	Crain et al.	.....	220/676
D426,686	S	*	6/2000	Clausen et al.	.....	D32/29

(57) **CLAIM**

We claim the ornamental design for a drum for washing machine, as shown and described.

**DESCRIPTION**

FIG. 1 is a front perspective view of a drum for washing machine showing our new design;  
FIG. 2 is a front view thereof;  
FIG. 3 is a rear view thereof;  
FIG. 4 is a left-side view thereof;  
FIG. 5 is a right-side view thereof;  
FIG. 6 is a top view thereof;  
FIG. 7 is a bottom view thereof; and,  
FIG. 8 is an enlarged view of the portion 8 encircled in FIG. 2.

The dot-dash broken lines encircling portions of the claimed design that are illustrated in enlargements form no part of the claimed design.

**1 Claim, 8 Drawing Sheets**

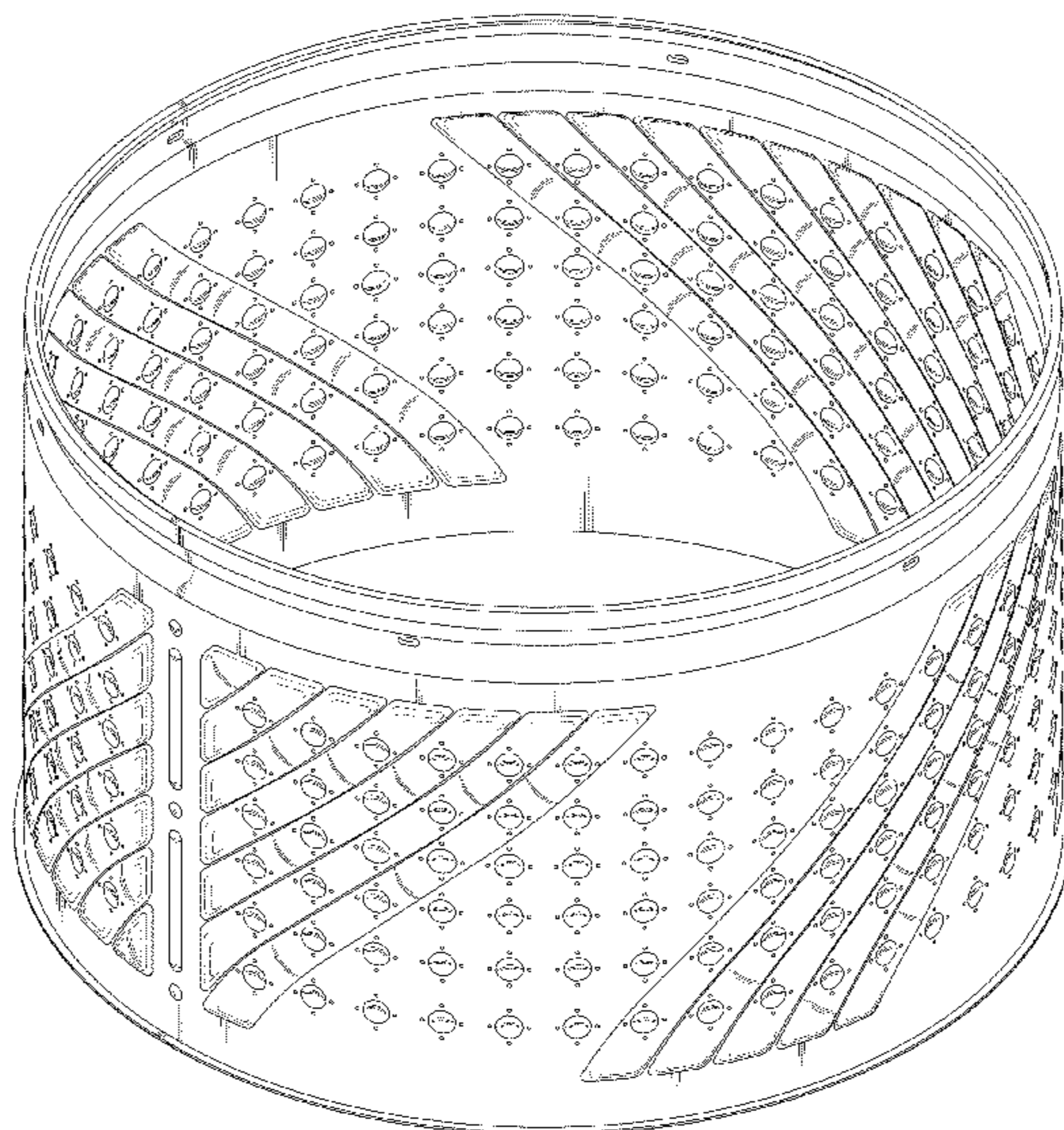


FIG. 1

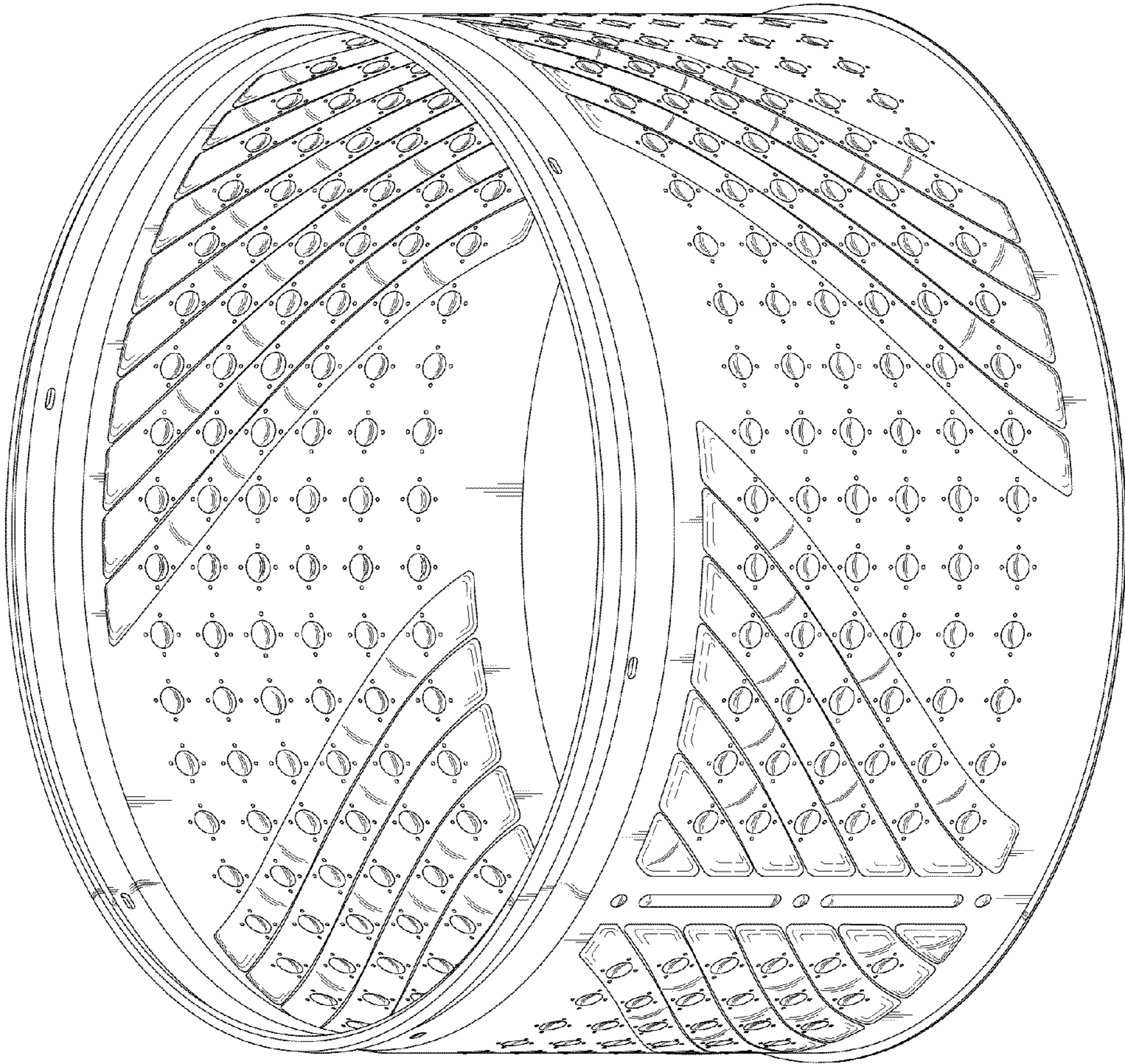


FIG. 2

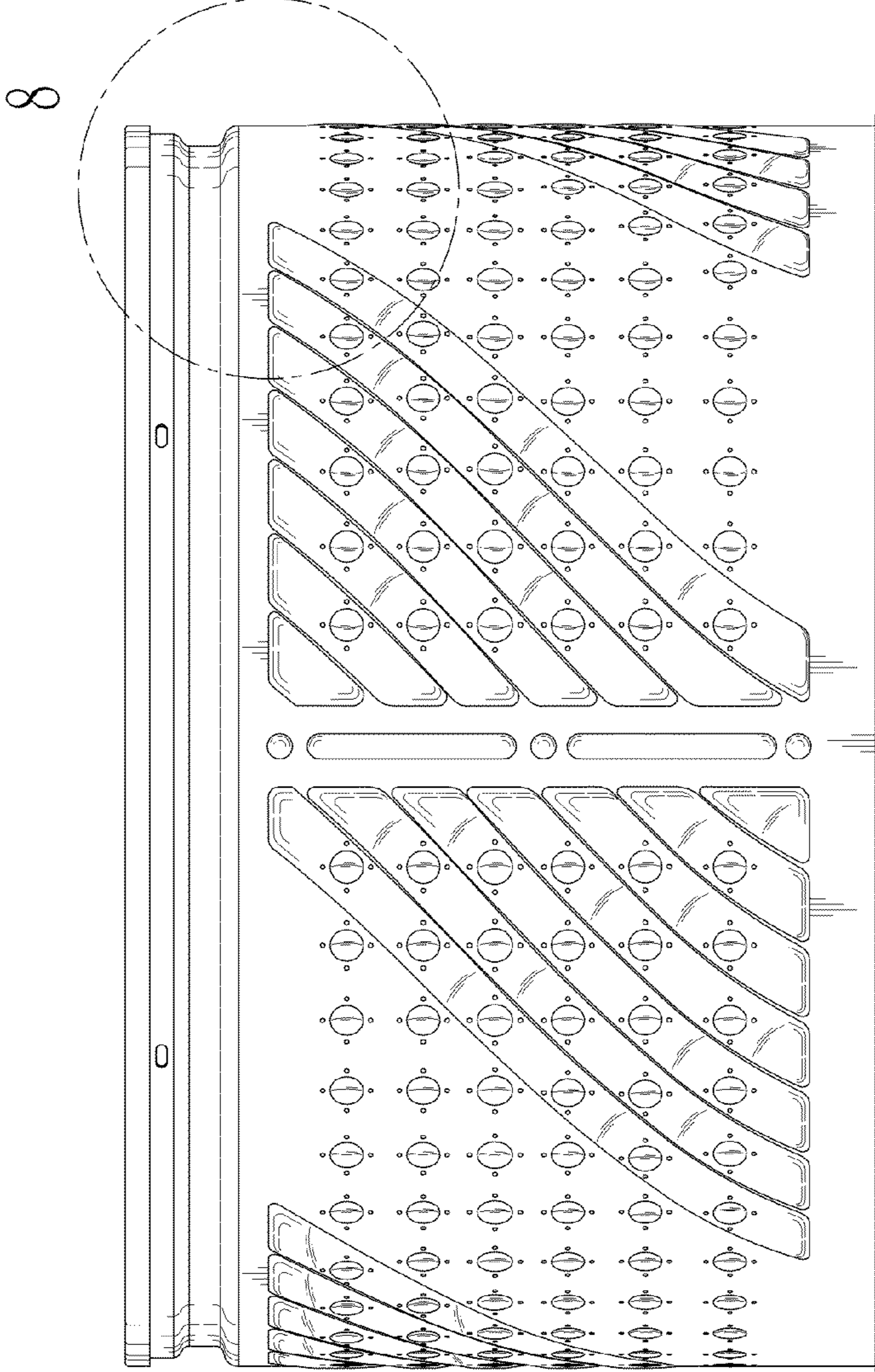


FIG. 3

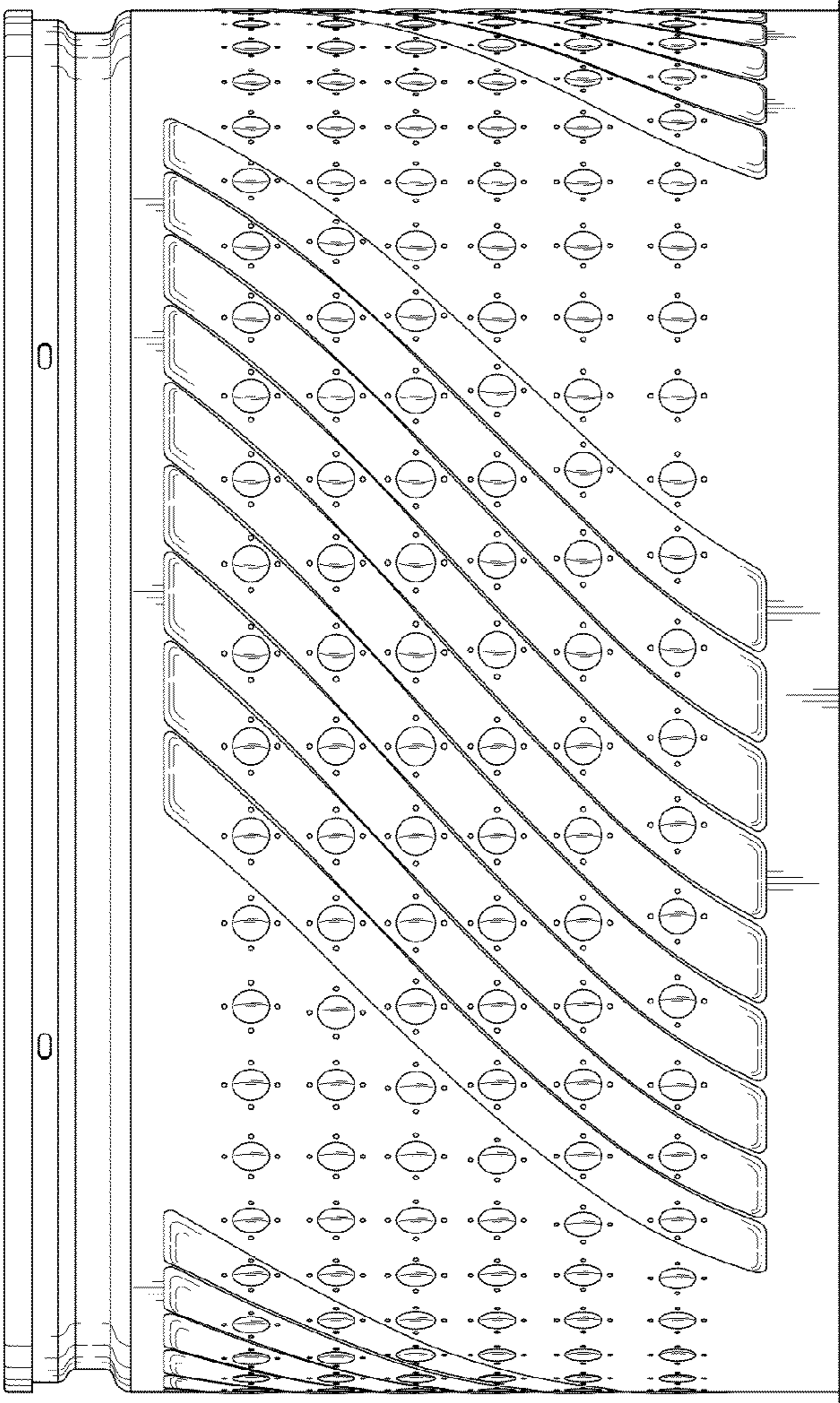


FIG. 4

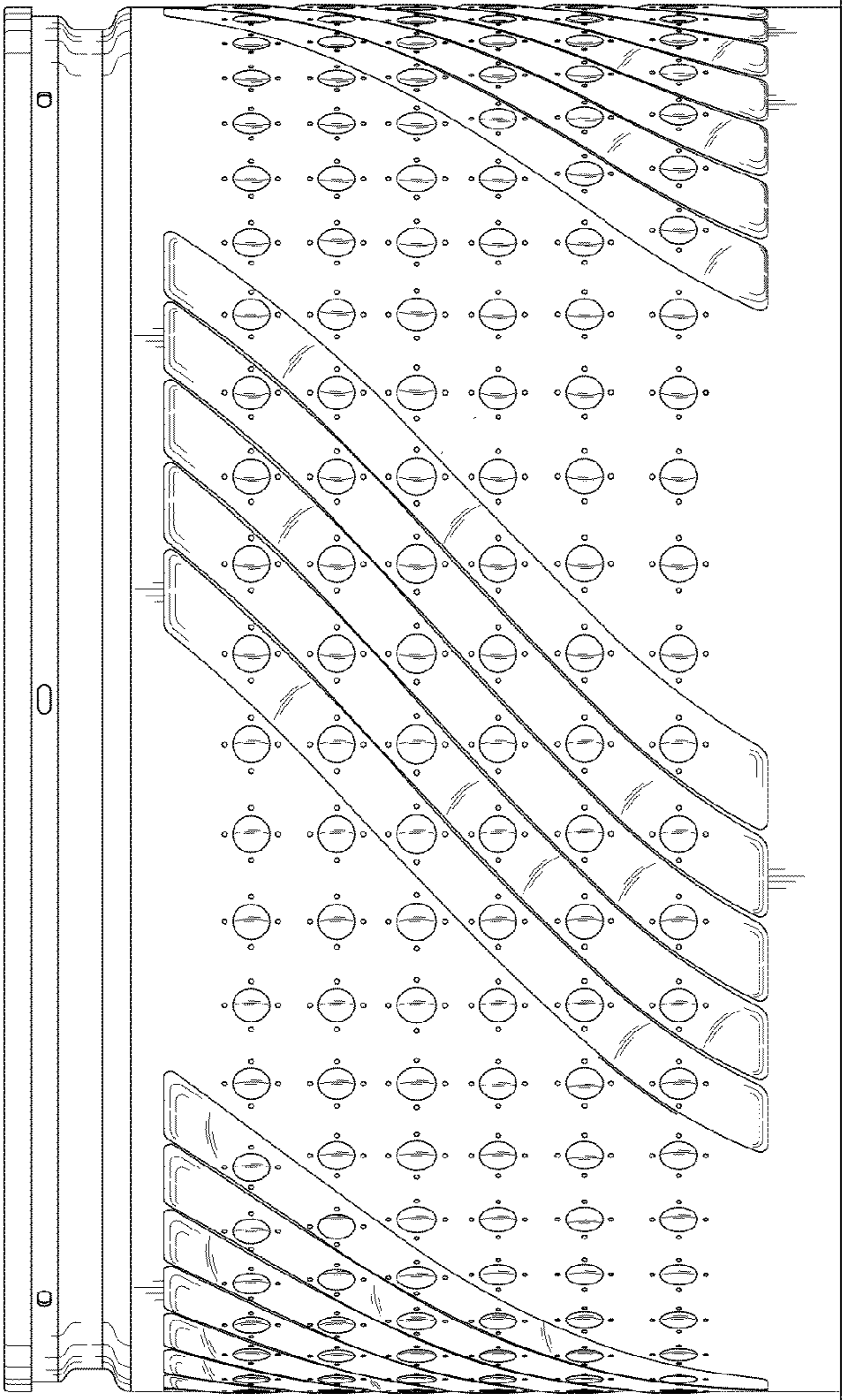


FIG. 5

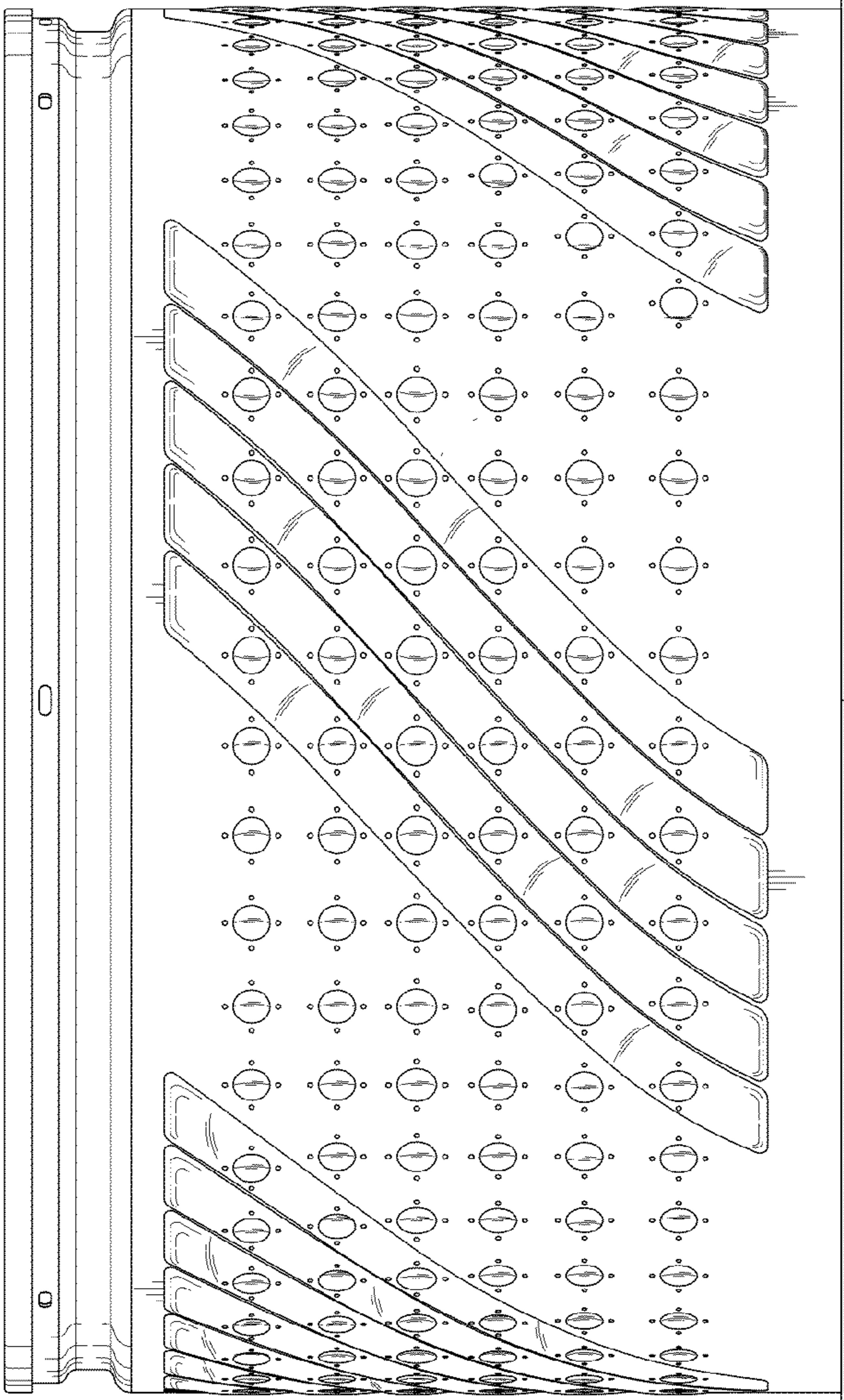


FIG. 6

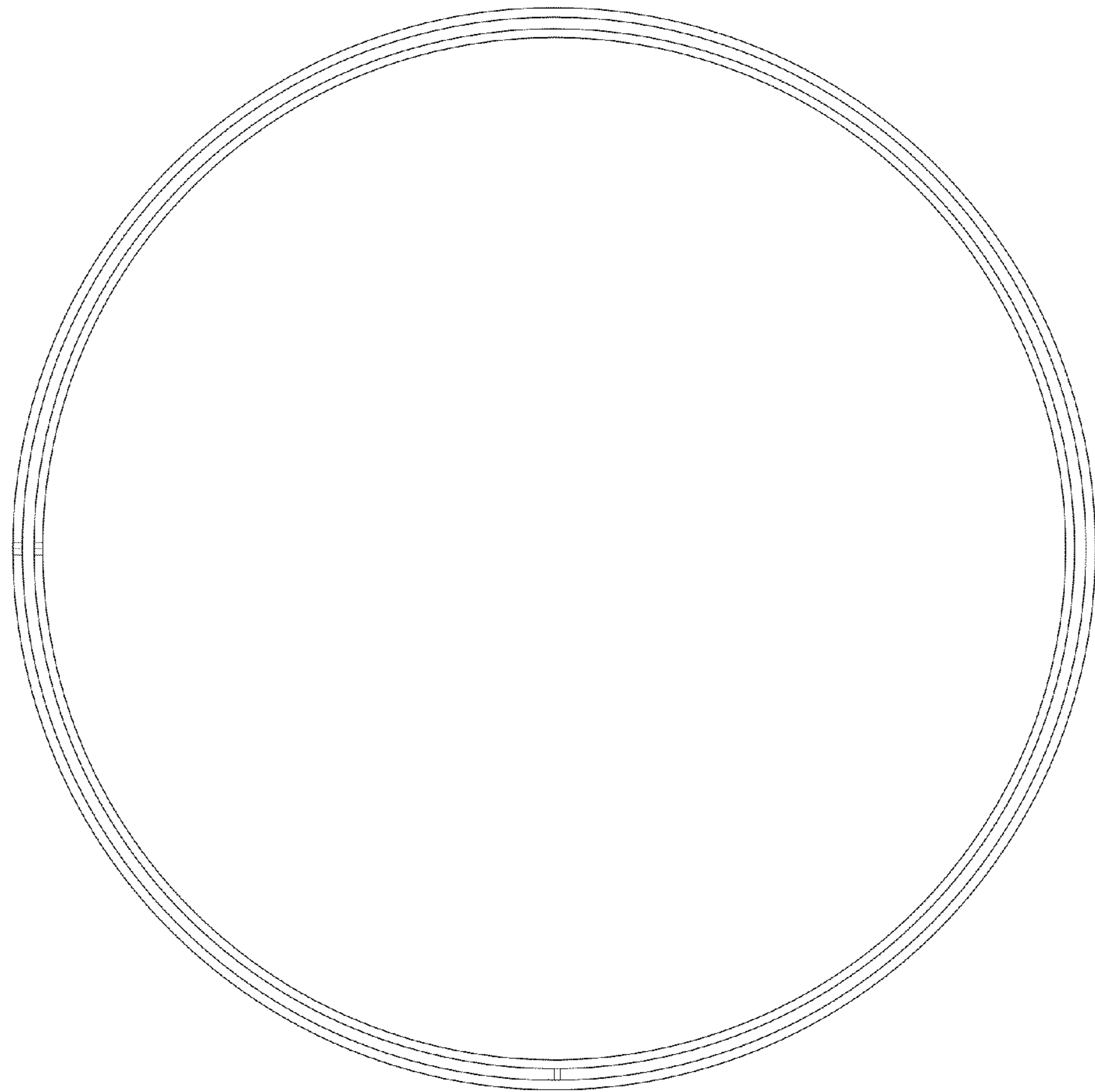


FIG. 7

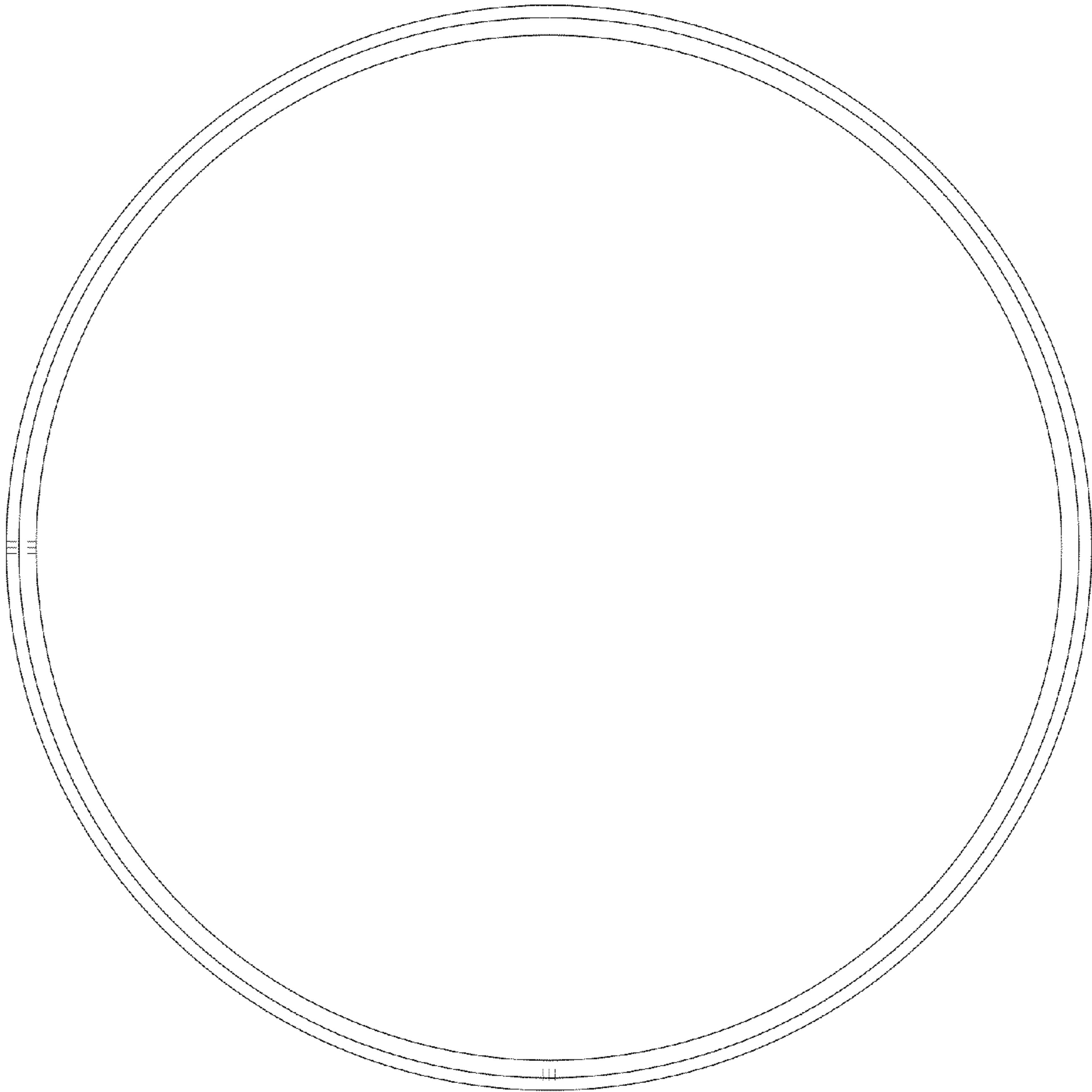




FIG. 8

