



US00D743126S

(12) **United States Design Patent**  
**Ickes, III**

(10) **Patent No.:** **US D743,126 S**

(45) **Date of Patent:** **\*\* Nov. 10, 2015**

(54) **FRONT GRILL FOR A FLOOR  
MAINTENANCE VEHICLE**

(71) Applicant: **Tennant Company**, Minneapolis, MN  
(US)

(72) Inventor: **John C. Ickes, III**, Rockford, MN (US)

(73) Assignee: **Tennant Company**, Minneapolis, MN  
(US)

(\*\*) Term: **14 Years**

(21) Appl. No.: **29/446,250**

(22) Filed: **Feb. 21, 2013**

(51) **LOC (10) Cl.** ..... **15-05**

(52) **U.S. Cl.**  
USPC ..... **D32/25**

(58) **Field of Classification Search**  
USPC ..... D32/16, 15, 25, 50; 15/340.4, 50.1,  
15/320, 79.1; D15/9, 7, 17; D12/196, 169,  
D12/163, 181; D4/199

See application file for complete search history.

(56) **References Cited**

U.S. PATENT DOCUMENTS

D189,718	S	*	2/1961	Patch	.....	D32/16
2,972,159	A	*	2/1961	Kimmerle et al.	.....	15/340.4
4,009,500	A	*	3/1977	Ashton	.....	15/50.1
D273,620	S	*	4/1984	Kimzey et al.	.....	D32/16
D273,622	S	*	4/1984	Brown et al.	.....	D32/16
D314,257	S		1/1991	Hoover		
D332,158	S		12/1992	Bothun		
5,509,162	A		4/1996	Burgoon		
D376,227	S	*	12/1996	Knowlton et al.	.....	D32/16
D382,383	S	*	8/1997	Knowlton et al.	.....	D32/16
D409,206	S	*	5/1999	Wang	.....	D15/9
D409,544	S	*	5/1999	Voss et al.	.....	D12/196
D491,119	S	*	6/2004	Metros et al.	.....	D12/169
D509,364	S		9/2005	Berti		
6,964,081	B1	*	11/2005	Clement et al.	.....	15/320
D537,391	S	*	2/2007	Shimoguchi et al.	.....	D12/169

D539,197	S	*	3/2007	Fujimaki	.....	D12/169
D565,810	S	*	4/2008	Alexander	.....	D32/15
D571,512	S	*	6/2008	Dammkoehler et al.	.....	D32/15

(Continued)

FOREIGN PATENT DOCUMENTS

CN	300883078	*	2/2009
CN	301020528	*	9/2009

OTHER PUBLICATIONS

Nodriza—Electric Street Sweeper, Announced Nov. 28, 2010, [Site Visited Jan. 8, 2015] <http://www.coroflot.com/joseignacio1988/nodriza-electric-street-sweeper>.\*

(Continued)

*Primary Examiner* — Eric Goodman

*Assistant Examiner* — Luqman McNeil

(74) *Attorney, Agent, or Firm* — Fredrikson & Byron, P.A.

(57) **CLAIM**

I claim the ornamental design for a front grill for a floor maintenance vehicle, as shown and described.

**DESCRIPTION**

FIG. 1 is a front perspective view of a front grill for a floor maintenance vehicle of my design shown in its ordinary environment when in use, mounted at the front end of a floor maintenance vehicle;

FIG. 2 is a front perspective view of the front grill for a floor maintenance vehicle of my design;

FIG. 3 is a front elevation view thereof;

FIG. 4 is a top plan view thereof;

FIG. 5 is a right-side elevation view thereof;

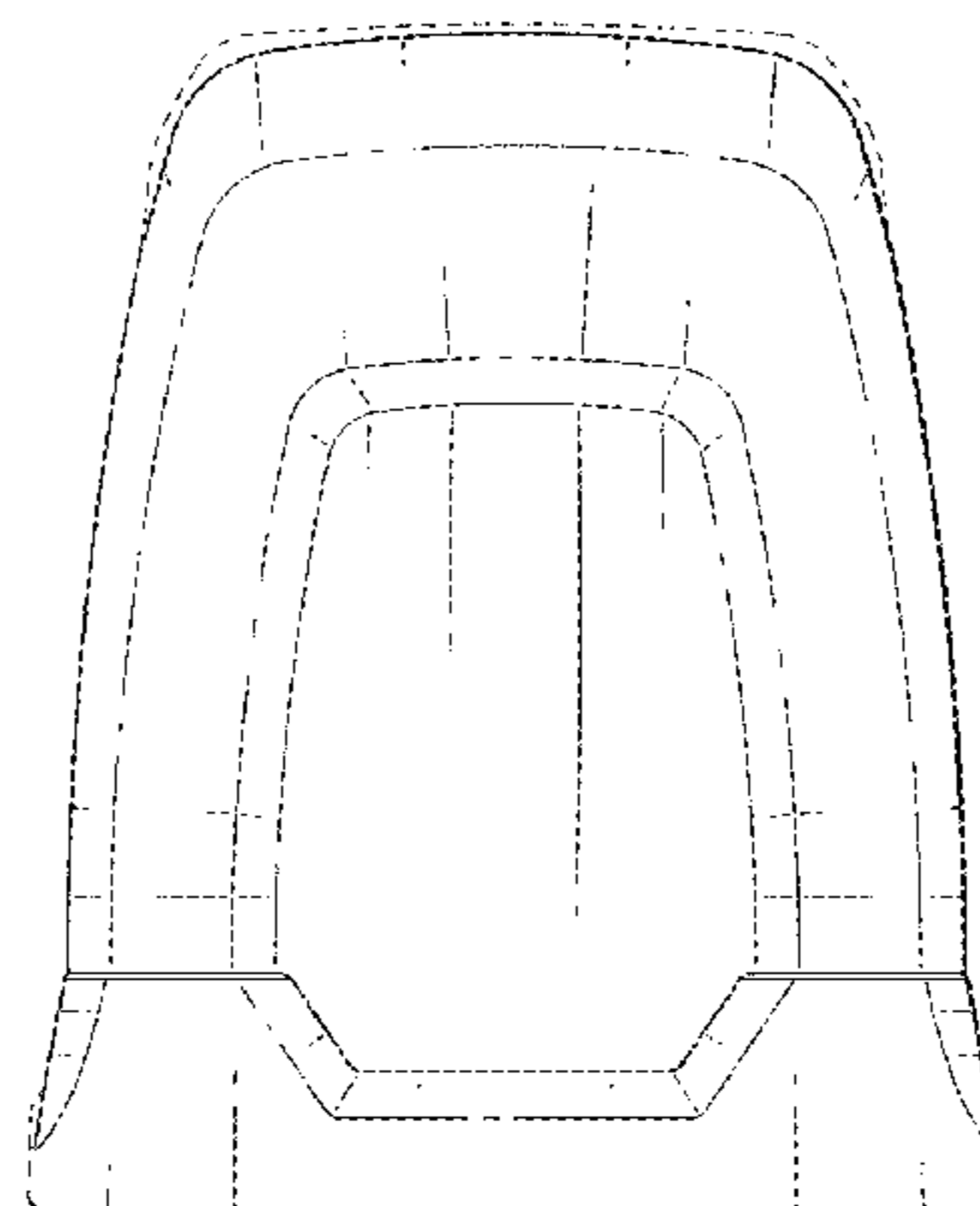
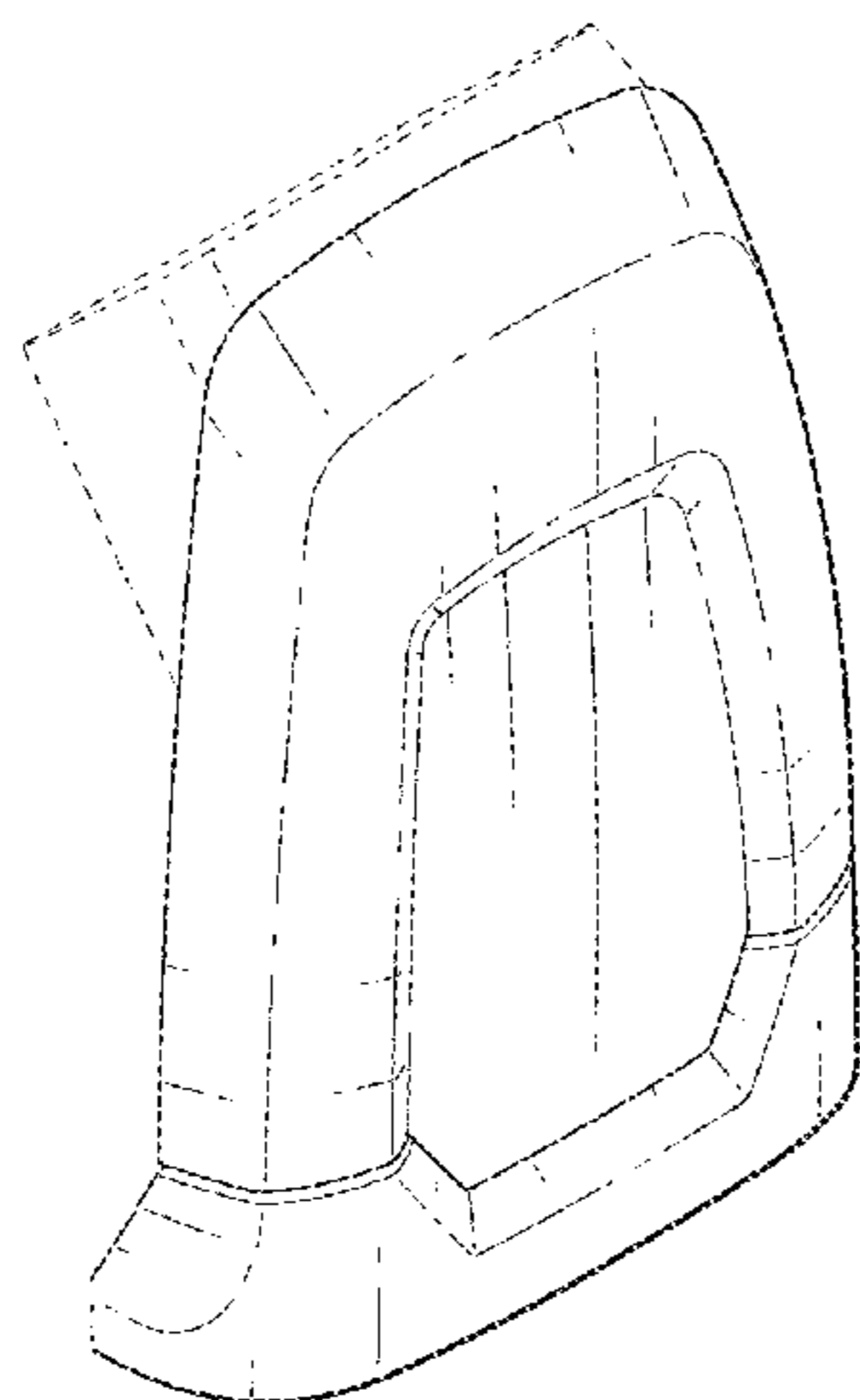
FIG. 6 is a left-side elevation view thereof;

FIG. 7 is a rear elevation view thereof; and,

FIG. 8 is a bottom plan view thereof.

Where included, broken lines showing environment or structure are for illustrative purposes only and form no part of the claimed design.

**1 Claim, 4 Drawing Sheets**



(56)

**References Cited**

U.S. PATENT DOCUMENTS

D572,638 S \* 7/2008 Zimmermann et al. .... D12/169  
D580,114 S \* 11/2008 Rummel ..... D32/15  
D580,606 S \* 11/2008 Dammkoehler et al. .... D32/16  
D582,324 S \* 12/2008 Miyazawa ..... D12/163  
D585,609 S 1/2009 Dammkoehler  
D589,662 S \* 3/2009 Dammkoehler et al. .... D32/16  
D607,382 S \* 1/2010 Nakahara ..... D12/169  
D609,143 S \* 2/2010 Krugger et al. .... D12/169  
D614,090 S \* 4/2010 Ectors et al. .... D12/169  
D614,099 S \* 4/2010 Ectors et al. .... D12/181  
D621,853 S \* 8/2010 Sundheim et al. .... D15/7  
D623,993 S \* 9/2010 Miyazawa et al. .... D12/169

D624,562 S \* 9/2010 Neeley et al. .... D15/17  
D627,277 S \* 11/2010 Cogswell ..... D12/169  
D638,760 S \* 5/2011 Okada ..... D12/169  
D641,765 S \* 7/2011 Vieira ..... D15/9  
D642,098 S \* 7/2011 Mueller-Stolz et al. .... D12/169  
D642,965 S \* 8/2011 Mueller-Stolz et al. .... D12/169  
2007/0169290 A1\* 7/2007 Fitzgerald ..... 15/79.1

OTHER PUBLICATIONS

Electric Street Sweeper FM-09-1550, Announced Sep. 3, 2009, [Site Visited Jan. 8, 2015][http://cnfloormate.en.alibaba.com/product/356001876-210351162/electric\\_street\\_sweeper\\_FM\\_09\\_1550.html](http://cnfloormate.en.alibaba.com/product/356001876-210351162/electric_street_sweeper_FM_09_1550.html).\*

\* cited by examiner

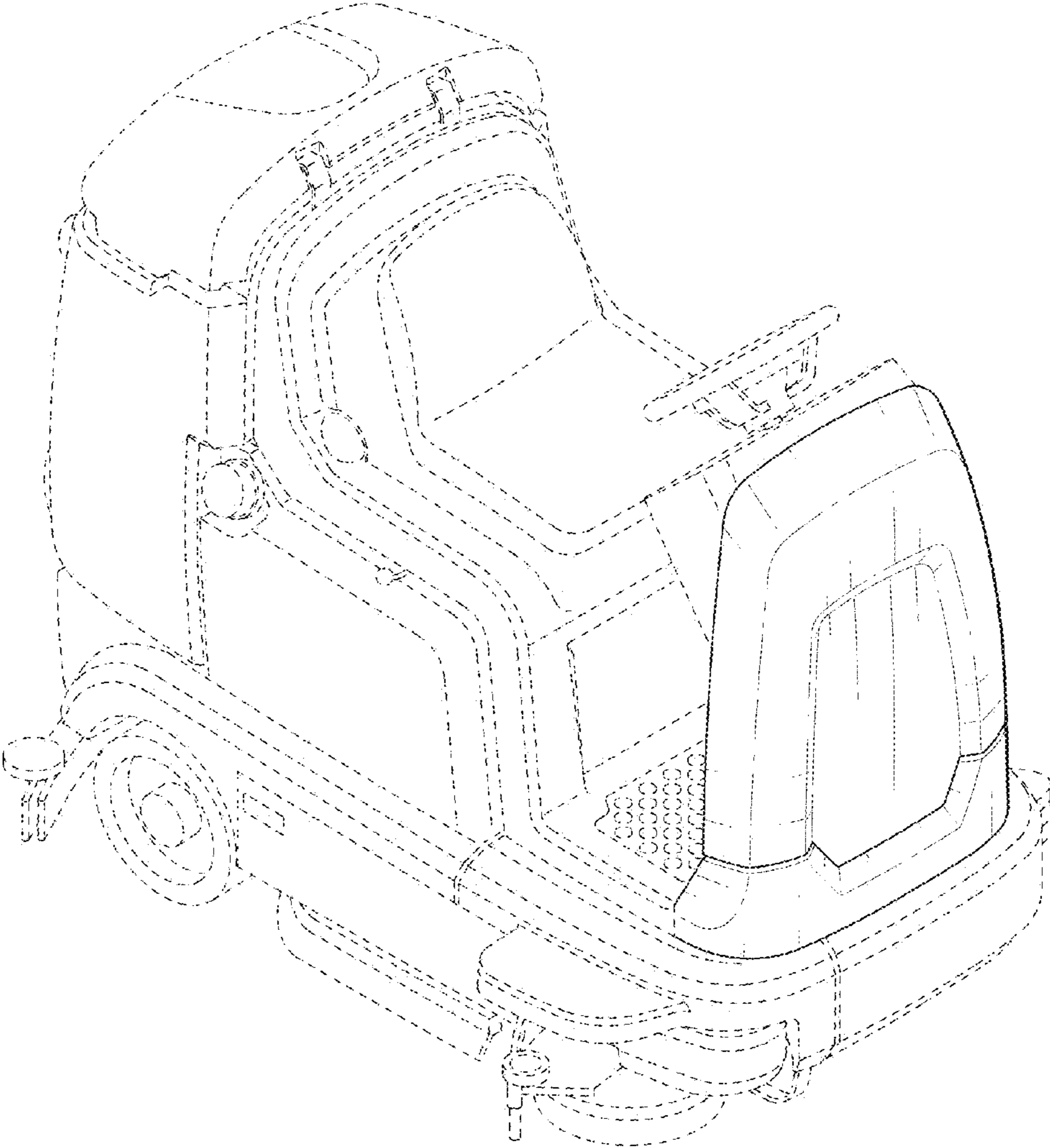


FIG. 1

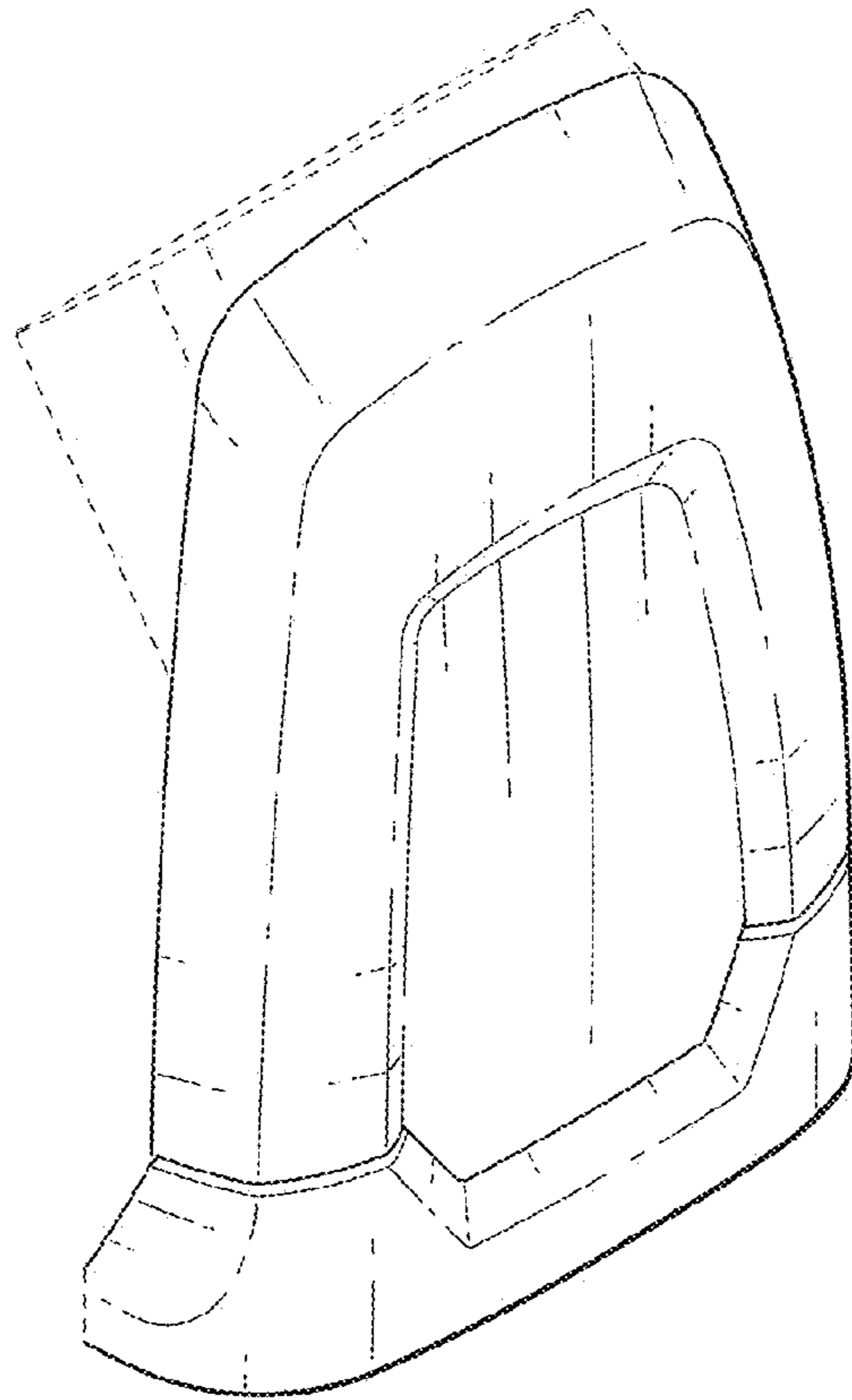


FIG. 2

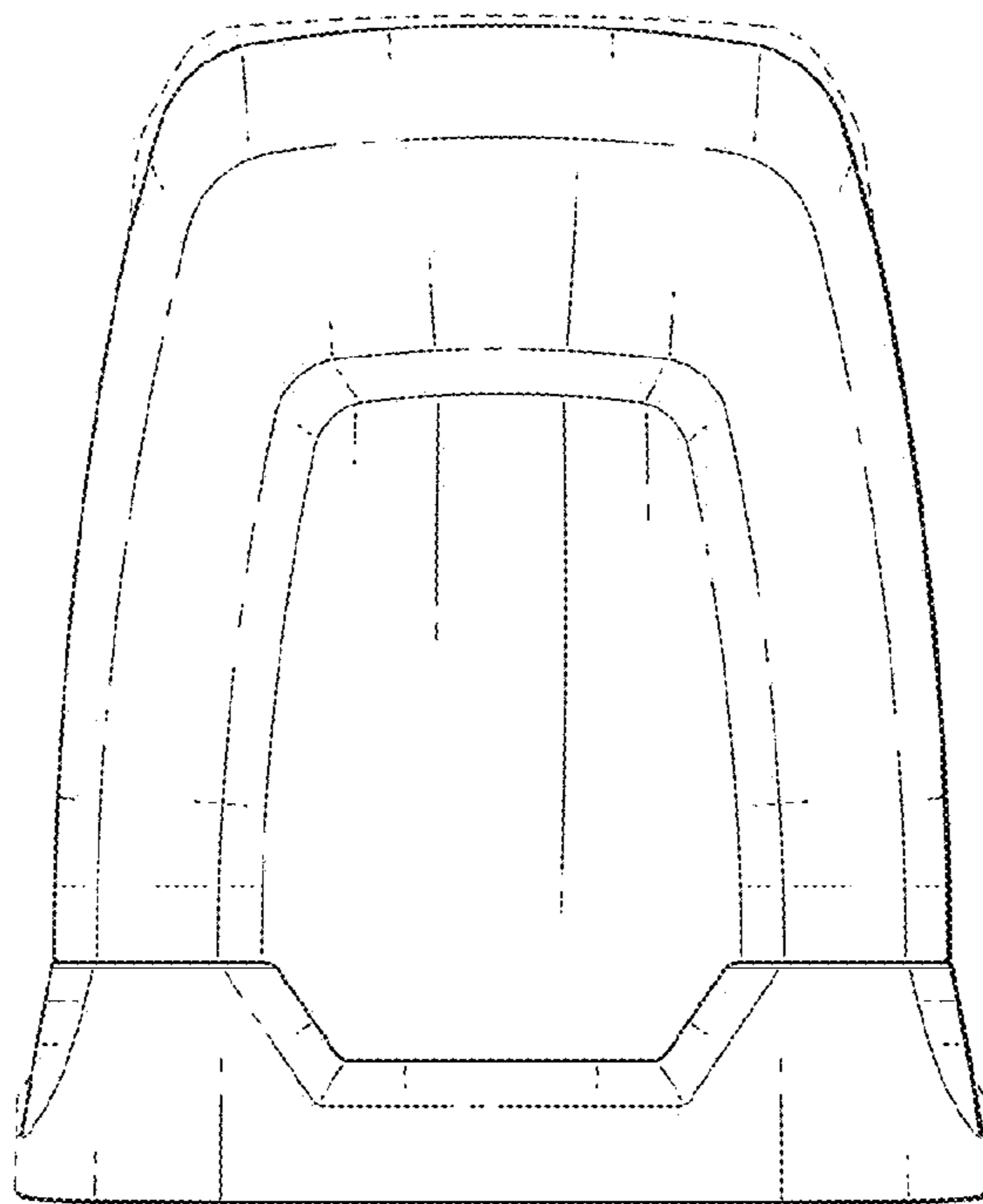


FIG. 3

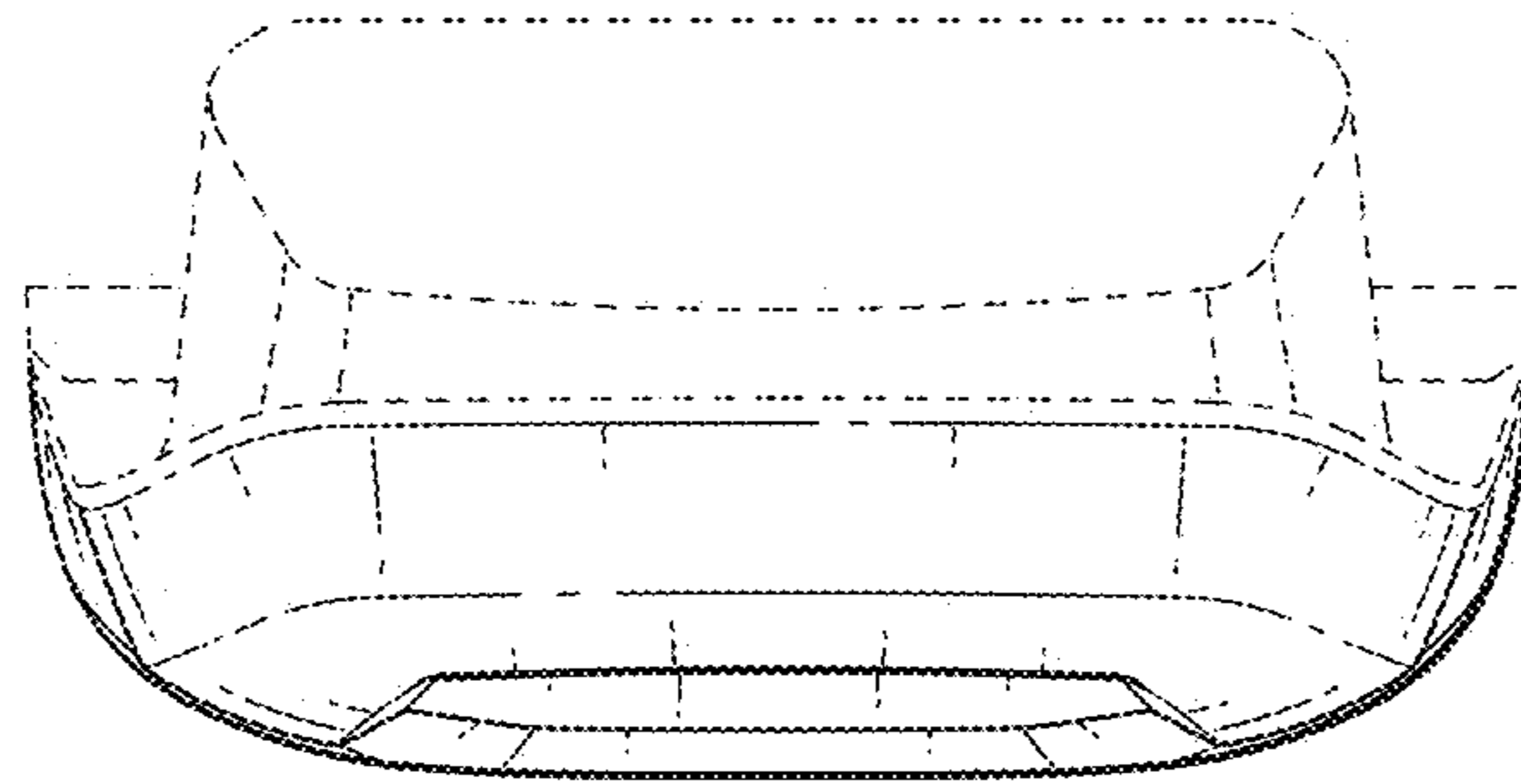


FIG. 4

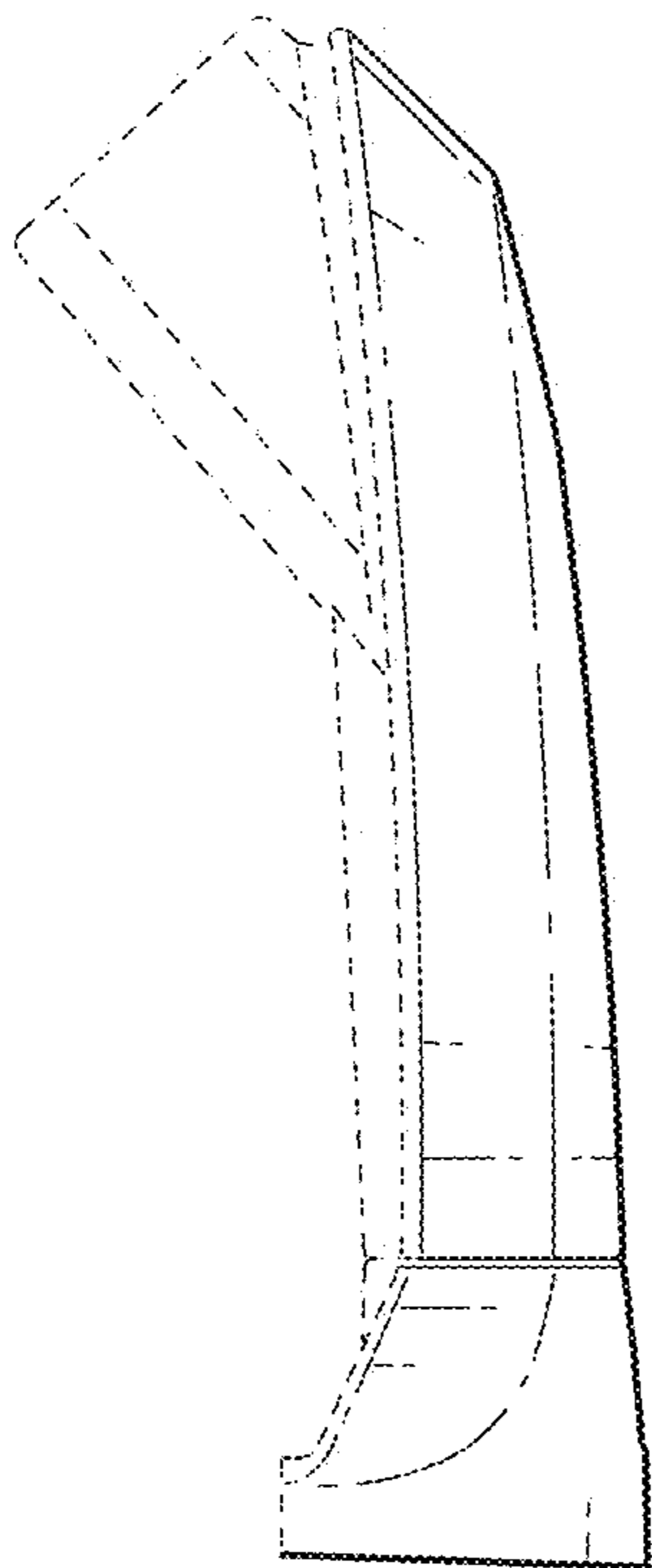


FIG. 5

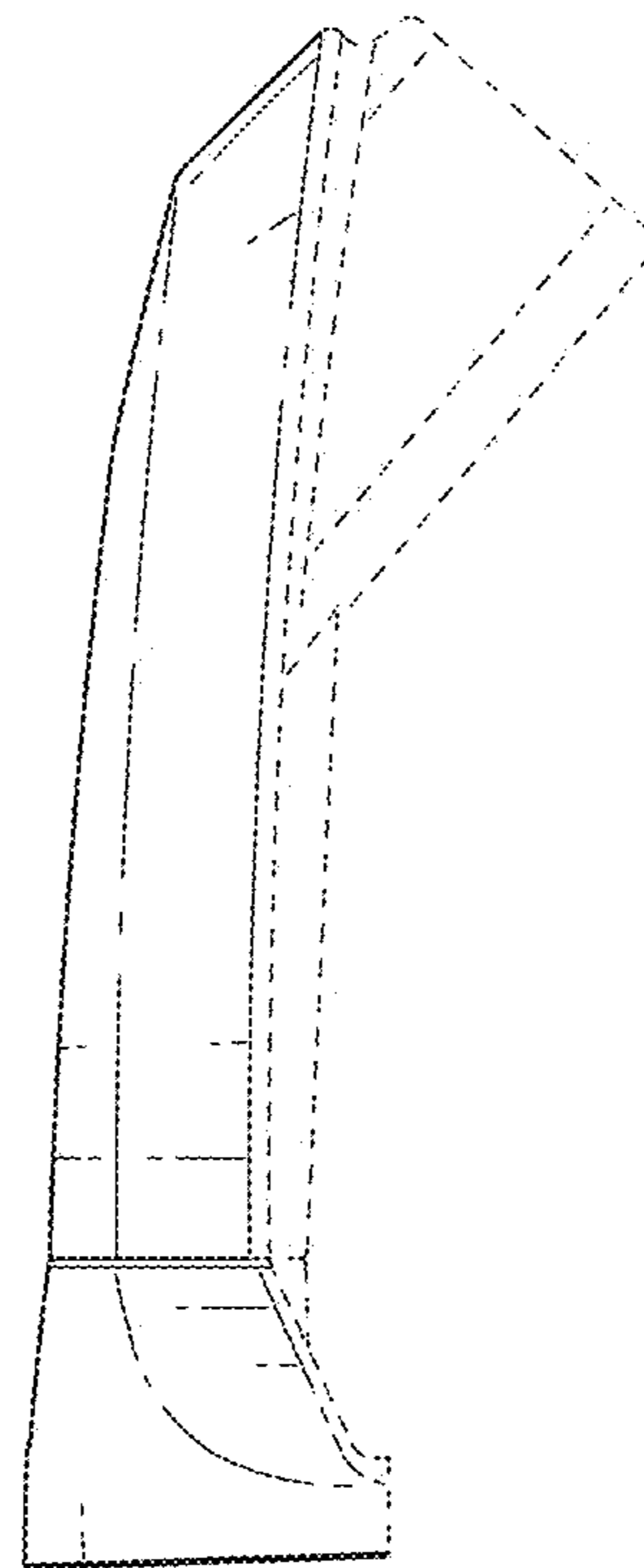


FIG. 6

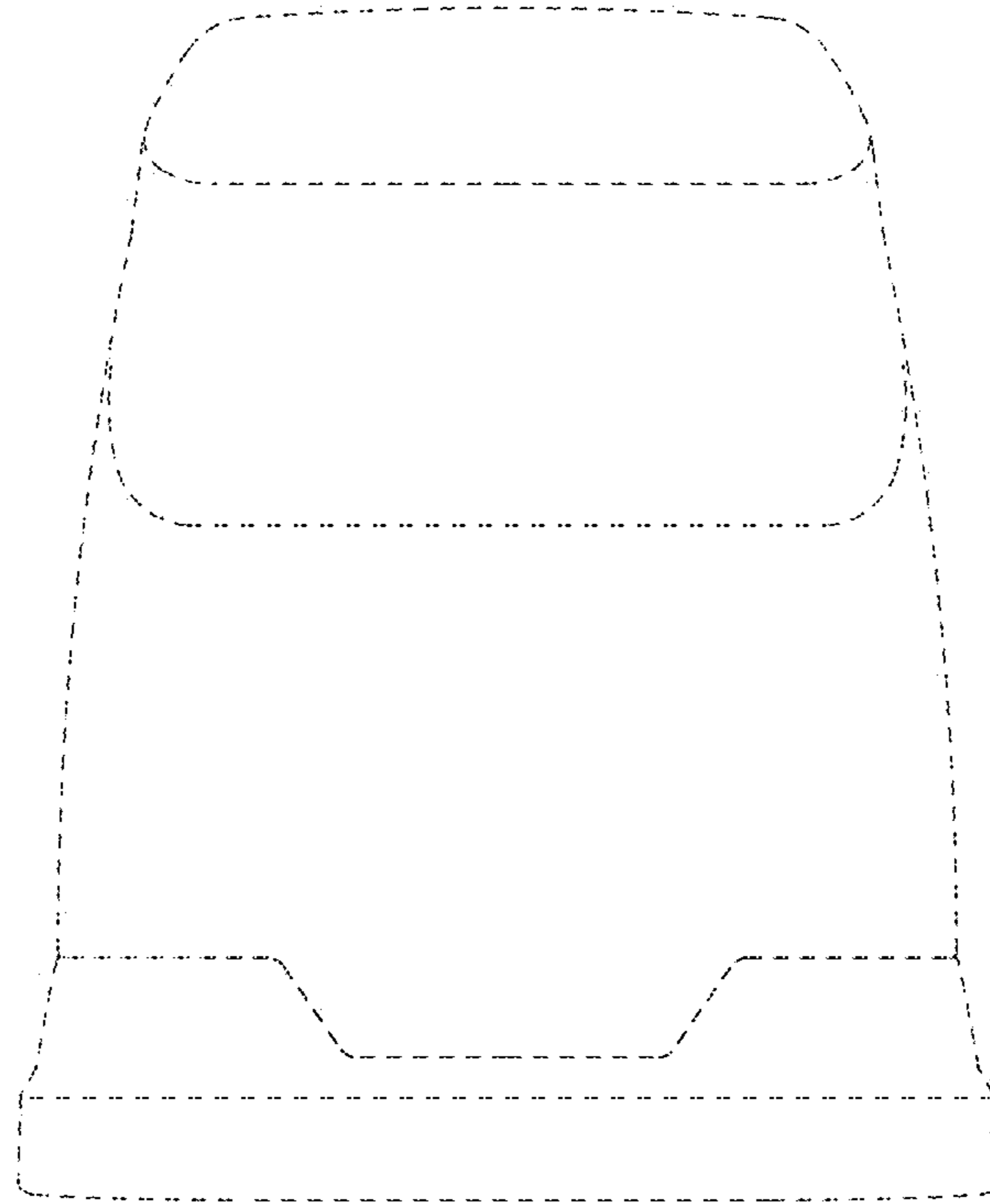


FIG. 7

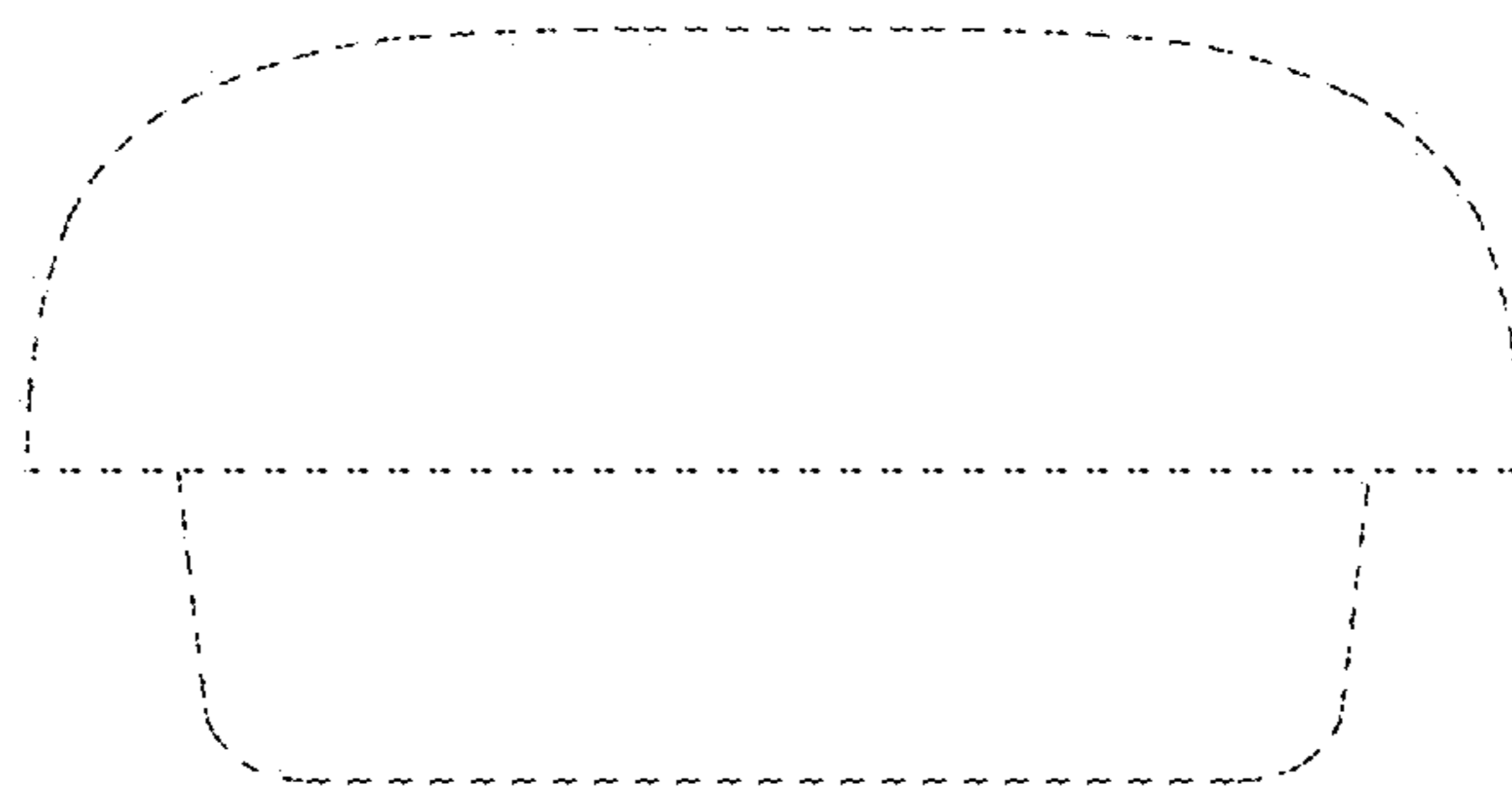


FIG. 8