



US00D743125S

(12) **United States Design Patent**  
**Lee et al.**

(10) **Patent No.:** **US D743,125 S**  
(45) **Date of Patent:** **\*\* Nov. 10, 2015**

(54) **CLEANER**

(71) Applicant: **Samsung Electronics Co., Ltd.**,  
Suwon-si (KR)

(72) Inventors: **Yang Jic Lee**, Gwacheon-si (KR); **Sang Min Hyun**, Seoul (KR)

(73) Assignee: **Samsung Electronics Co., Ltd.**,  
Suwo-si (KR)

(\*\*) Term: **14 Years**

(21) Appl. No.: **29/495,435**

(22) Filed: **Jul. 1, 2014**

(30) **Foreign Application Priority Data**

Jan. 14, 2014 (KR) ..... 30-2014-0002163

(51) **LOC (10) Cl.** ..... **15-05**

(52) **U.S. Cl.**  
USPC ..... **D32/22**

(58) **Field of Classification Search**  
USPC ..... D32/31, 21, 22, 24, 34, 15-16;  
15/350-353, 361-362, 347, 410-411,  
15/414, 320-322, 329, 335, 246.2, 1.7,  
15/340.2, DIG. 10; 55/345

CPC ..... A47L 5/24; A47L 11/34; A47L 5/362;  
A47L 19/1666; A47L 9/325; A47L 9/08;  
A47L 5/32; A47L 5/14; A47L 5/365; A47L  
9/242; B01D 45/12; B01D 5/002

See application file for complete search history.

(56) **References Cited**

**U.S. PATENT DOCUMENTS**

D296,486 S \* 6/1988 Staubitz et al. .... D32/22  
D323,725 S \* 2/1992 Gierke et al. .... D32/15  
5,722,111 A \* 3/1998 Sowell et al. .... 15/330

D398,099 S \* 9/1998 Leung ..... D32/22  
D426,356 S \* 6/2000 Tsuruha ..... D32/22  
D429,044 S \* 8/2000 Saunders et al. .... D32/34  
D433,546 S \* 11/2000 Milanese ..... D32/22  
D436,699 S \* 1/2001 Makihara et al. .... D32/22  
D495,456 S \* 8/2004 Ågren et al. .... D32/22  
D561,415 S \* 2/2008 Tavano et al. .... D32/34  
D615,717 S \* 5/2010 Butts et al. .... D32/22  
D635,728 S \* 4/2011 Fjellman ..... D32/22  
D641,112 S \* 7/2011 Lee ..... D32/34  
D643,980 S \* 8/2011 Kim et al. .... D32/22  
D646,857 S \* 10/2011 Spencer et al. .... D32/22  
D653,825 S \* 2/2012 Cho et al. .... D32/22  
D677,844 S \* 3/2013 Nicora et al. .... D32/22  
D680,286 S \* 4/2013 Gray et al. .... D32/22  
D682,496 S \* 5/2013 Bassett et al. .... D32/22  
8,438,697 B2 \* 5/2013 Kim et al. .... 15/334  
D694,481 S \* 11/2013 Grey et al. .... D32/22  
2003/0101523 A1 \* 6/2003 Lepley, Jr. .... 15/1.7  
2007/0209142 A1 \* 9/2007 Pullins et al. .... 15/334  
2015/0000070 A1 \* 1/2015 Liu et al. .... 15/330

\* cited by examiner

*Primary Examiner* — Ruth McInroy

(74) *Attorney, Agent, or Firm* — NSIP Law

(57) **CLAIM**

We claim the ornamental design for a cleaner, as shown and described.

**DESCRIPTION**

FIG. 1 is a front perspective view of a cleaner showing our new design;

FIG. 2 is a front view thereof;

FIG. 3 is a rear view thereof;

FIG. 4 is a left-side view thereof;

FIG. 5 is a right-side view thereof;

FIG. 6 is a top view thereof; and,

FIG. 7 is a bottom view thereof.

The broken lines in the figures show portions of the cleaner which form no part of the claimed design.

**1 Claim, 7 Drawing Sheets**

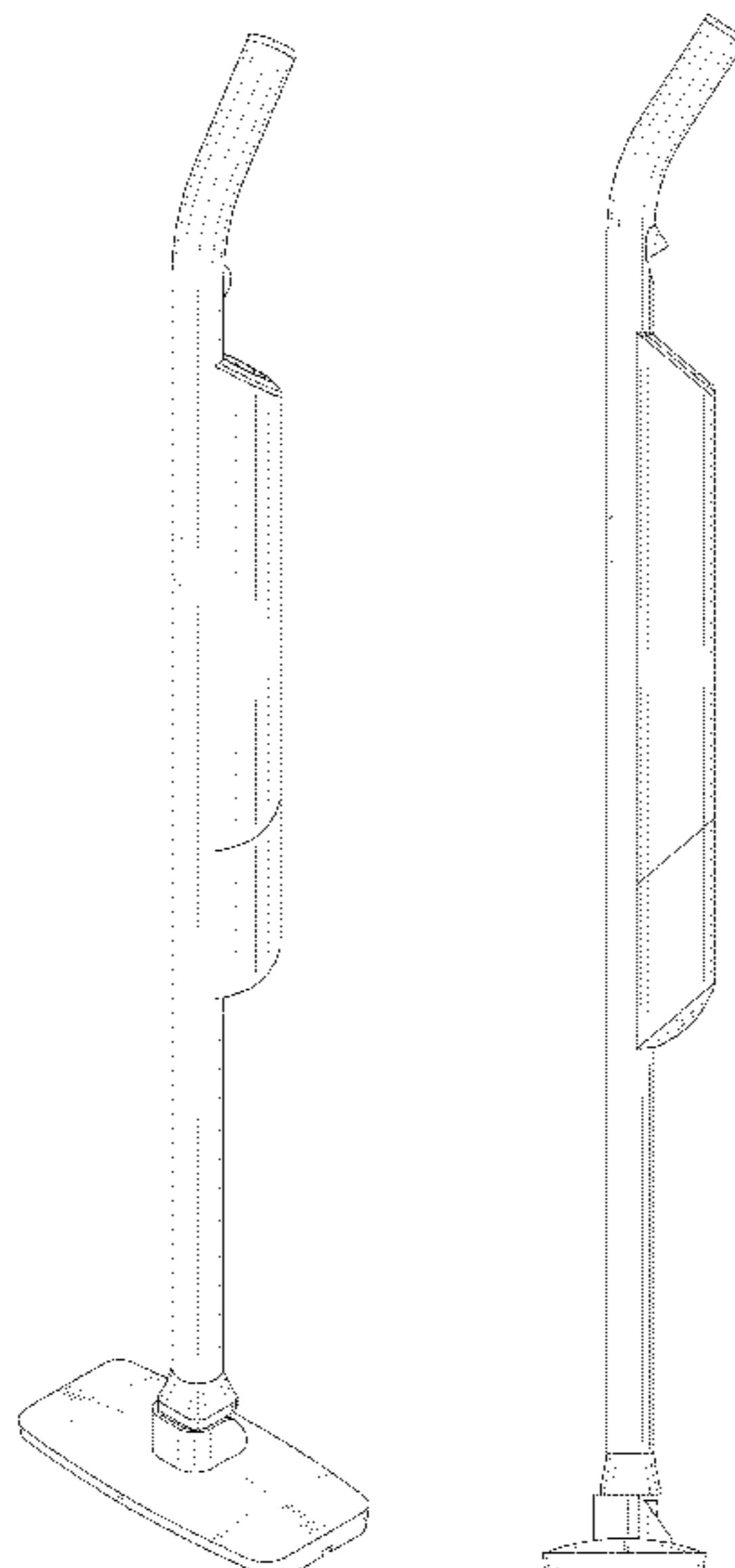


Fig. 1

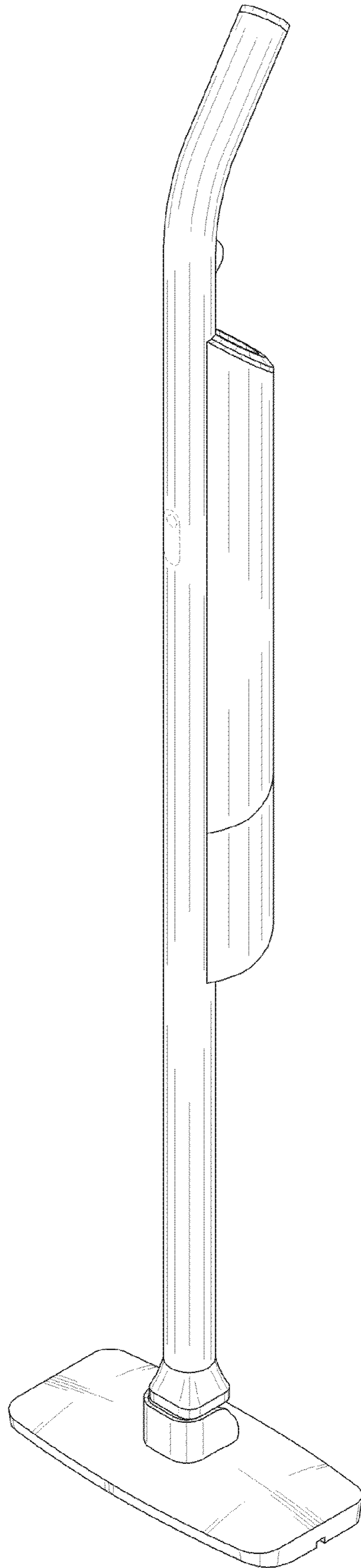


Fig. 2

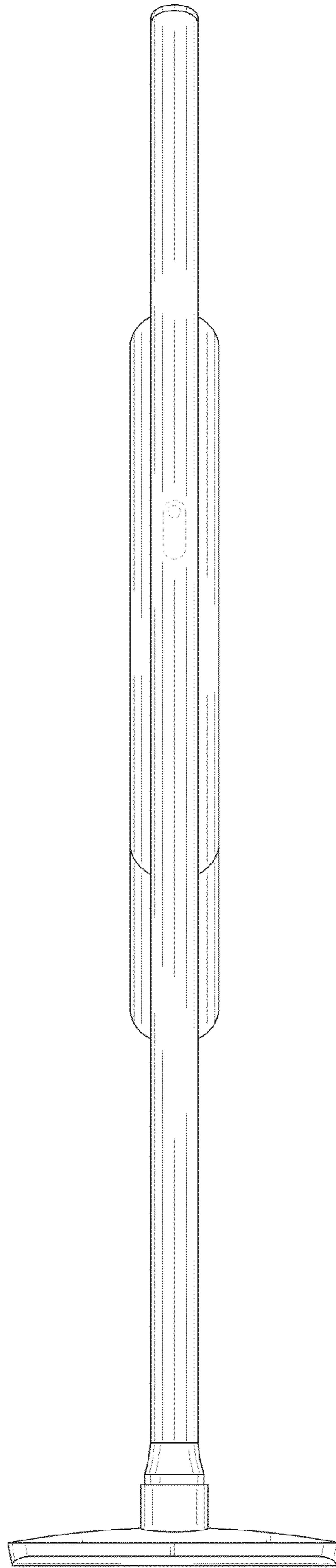


Fig. 3

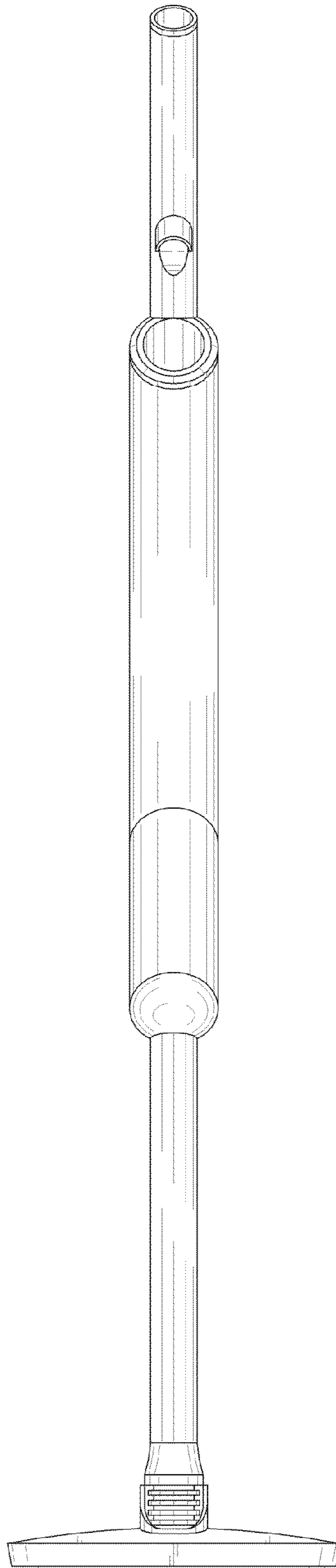


Fig. 4

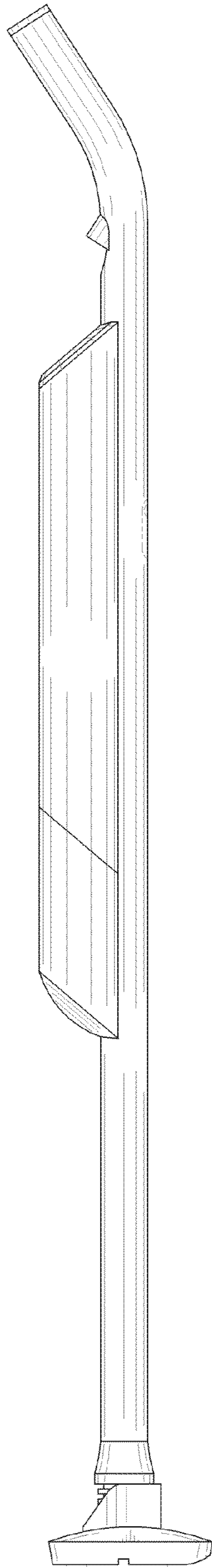
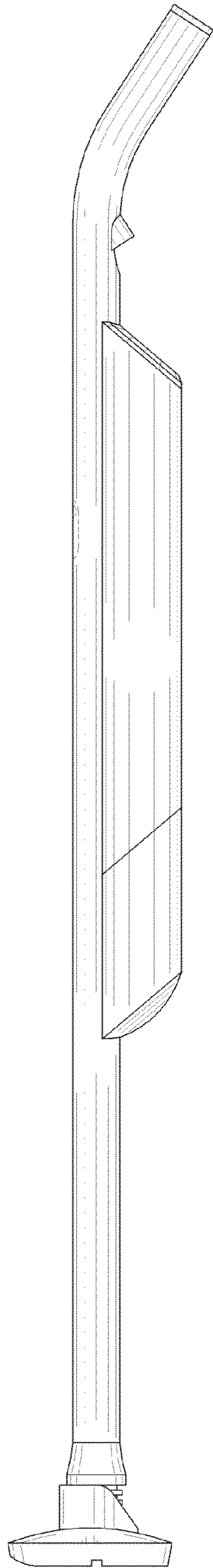
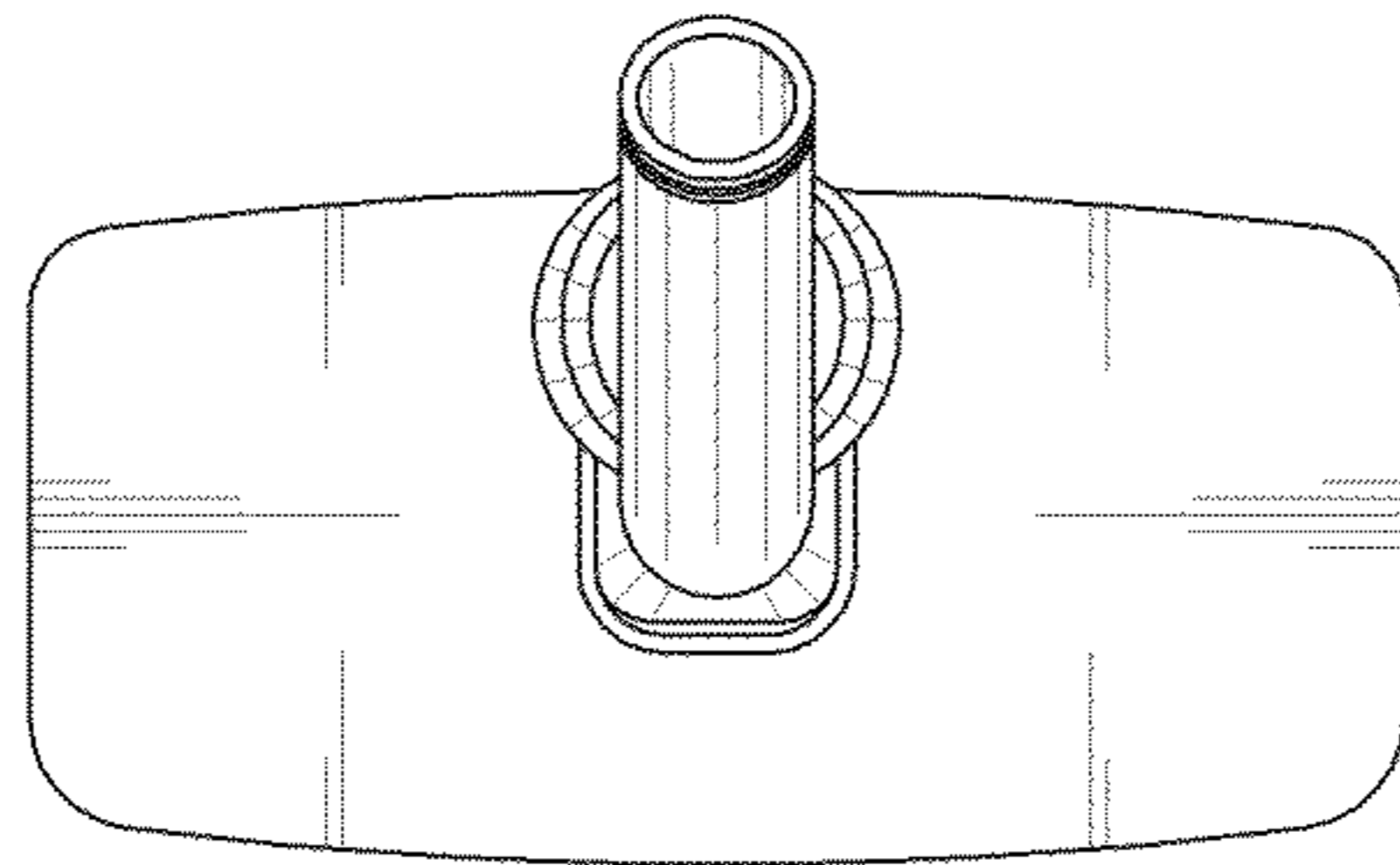


Fig. 5



**Fig. 6**



**Fig. 7**

