



US00D743124S

(12) **United States Design Patent**
Gray

(10) **Patent No.:** **US D743,124 S**

(45) **Date of Patent:** **** Nov. 10, 2015**

(54) **VACUUM CLEANER**

(71) Applicant: **Aktiebolaget Electrolux**, Stockholm (SE)

(72) Inventor: **Anna-Karin Gray**, Stockholm (SE)

(73) Assignee: **Aktiebolaget Electrolux**, Stockholm (SE)

(**) Term: **14 Years**

(21) Appl. No.: **29/473,286**

(22) Filed: **Nov. 20, 2013**

(30) **Foreign Application Priority Data**

May 20, 2013 (EM) 002240168

May 20, 2013 (EM) 002240200

(51) **LOC (10) Cl.** **15-05**

(52) **U.S. Cl.**
USPC **D32/22**

(58) **Field of Classification Search**
USPC D32/15-16, 18-21, 22, 30-34; D15/18;
D12/111, 114; 15/410-412, 246.2,
15/320, 329, 344, 350, 347, DIG. 10, 349,
15/351-353, 340.2, 361, 362; 55/DIG. 3,
55/323, 337, 429; D8/68-69

See application file for complete search history.

(56) **References Cited**

U.S. PATENT DOCUMENTS

D448,895 S *	10/2001	Andreas	D32/18
D483,160 S *	12/2003	Houghton	D32/22
D495,456 S	8/2004	Ågren et al.		
D545,011 S *	6/2007	Ågren et al.	D32/22
D556,397 S *	11/2007	Ågren et al.	D32/18
D556,960 S *	12/2007	Fjellman	D32/18
D564,149 S *	3/2008	Fjellman	D32/18

D564,151 S	3/2008	Fjellman		
D564,152 S *	3/2008	Fjellman	D32/18
D564,153 S	3/2008	Fjellman		
D564,156 S *	3/2008	Ågren et al.	D32/31
D565,811 S	4/2008	Fjellman		
D565,812 S	4/2008	Fjellman		
D565,814 S *	4/2008	Ågren et al.	D32/22
D565,816 S *	4/2008	Ågren et al.	D32/22
D566,349 S *	4/2008	Ågren et al.	D32/18
D574,563 S *	8/2008	Fjellman et al.	D32/22
D577,473 S *	9/2008	Ringholm et al.	D32/31
D578,259 S *	10/2008	Ågren et al.	D32/18
D582,111 S *	12/2008	Ågren et al.	D32/22
D592,818 S	5/2009	Sun		
D613,469 S *	4/2010	Ågren	D32/22
D648,496 S *	11/2011	Luyckx et al.	D32/18
8,151,411 B2 *	4/2012	Beskow et al.	15/410
D680,286 S *	4/2013	Gray et al.	D32/22
2007/0271724 A1 *	11/2007	Hakan et al.	15/329
2010/0242209 A1 *	9/2010	Beskow et al.	15/329

* cited by examiner

Primary Examiner — Ruth McInroy

(74) *Attorney, Agent, or Firm* — Banner & Witcoff, Ltd.

(57) **CLAIM**

The ornamental design for a vacuum cleaner, as shown and described.

DESCRIPTION

FIG. 1 is a perspective view of a vacuum cleaner showing my new design;

FIG. 2 is a front view thereof;

FIG. 3 is a right side view thereof;

FIG. 4 is a left side view thereof;

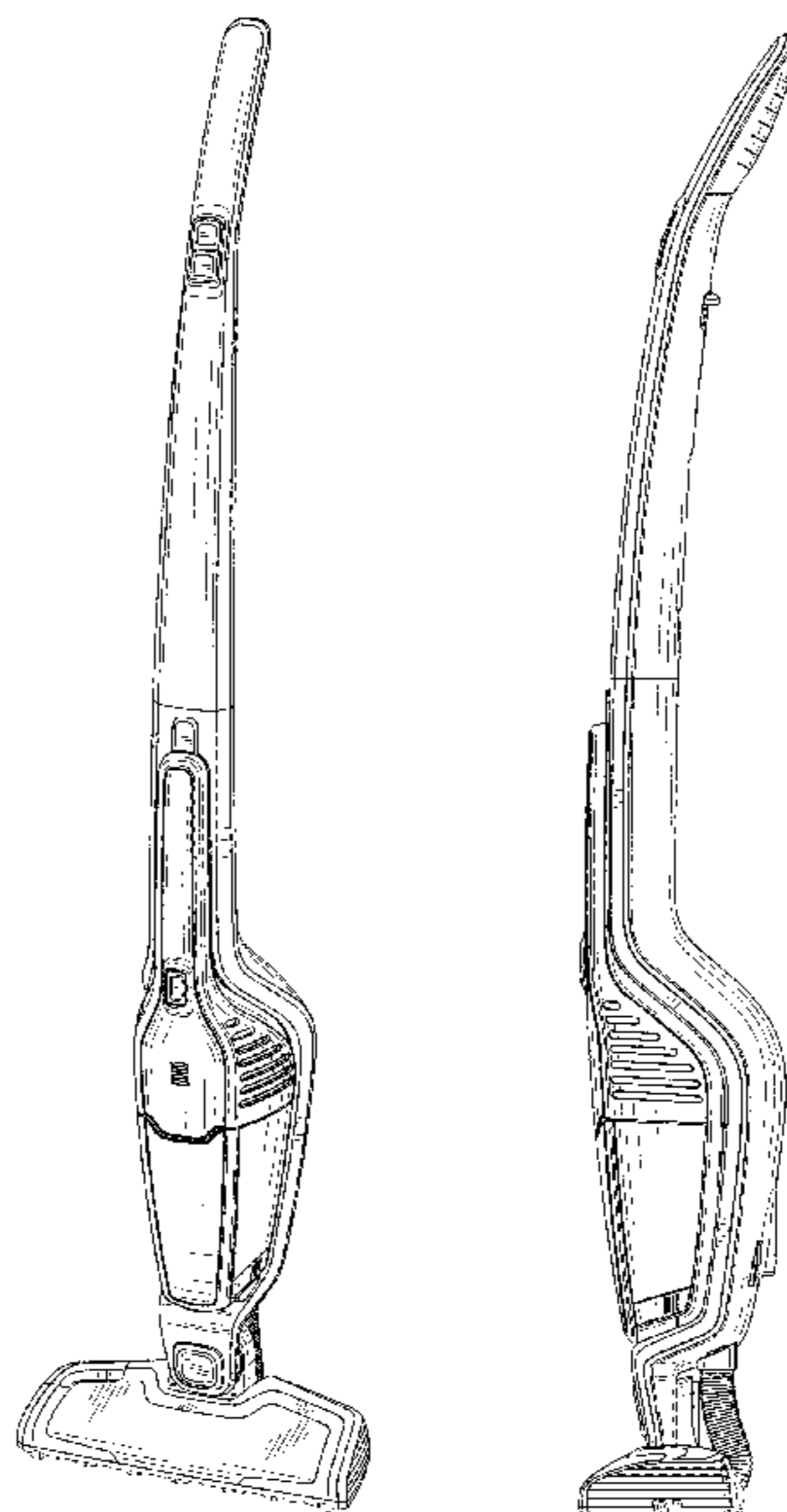
FIG. 5 is a rear view thereof;

FIG. 6 is a bottom view thereof; and,

FIG. 7 is a top view thereof.

The broken line showing of the bottom and various portions of the vacuum cleaner is for environmental purposes only and forms no part of the claimed design.

1 Claim, 7 Drawing Sheets



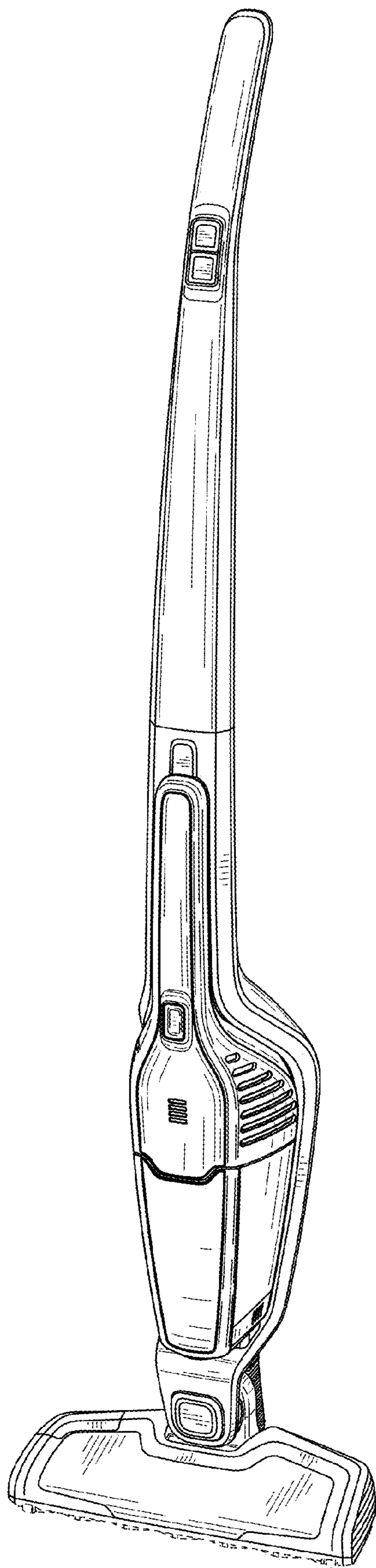


FIG. 1

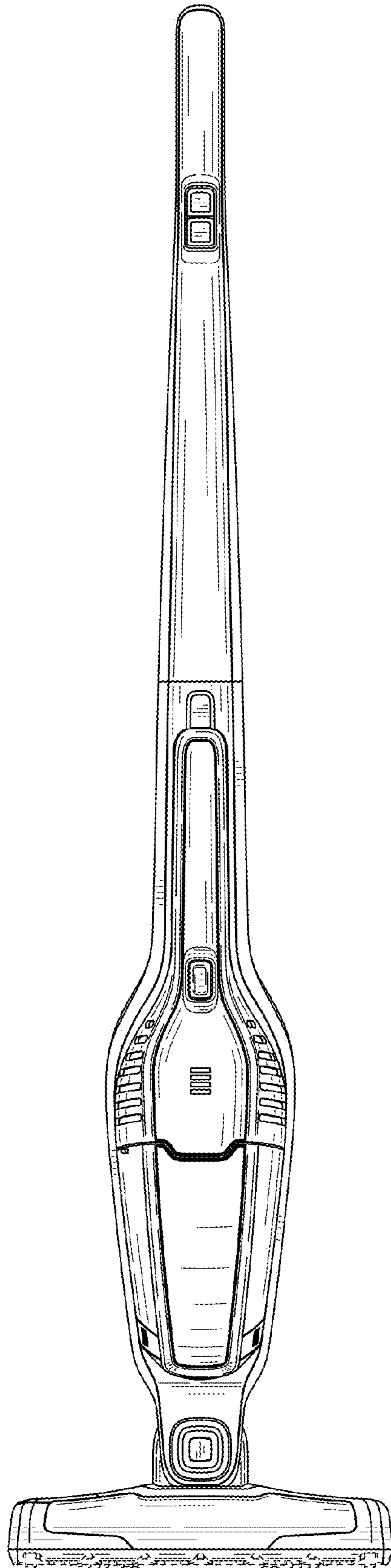


FIG. 2

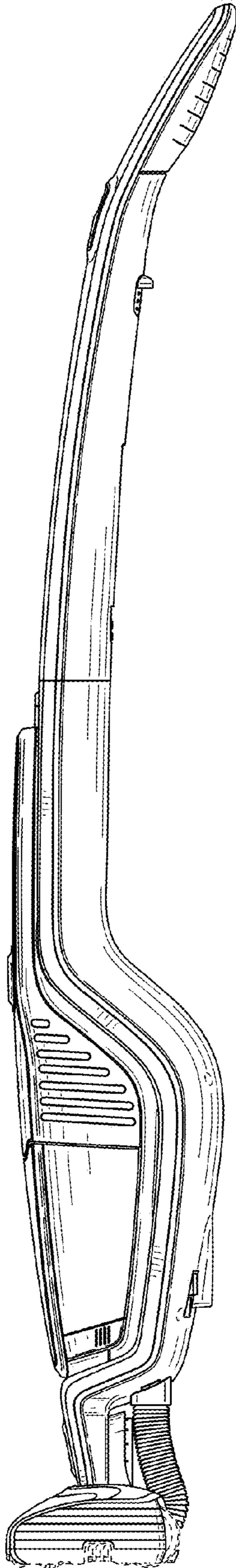


FIG. 3

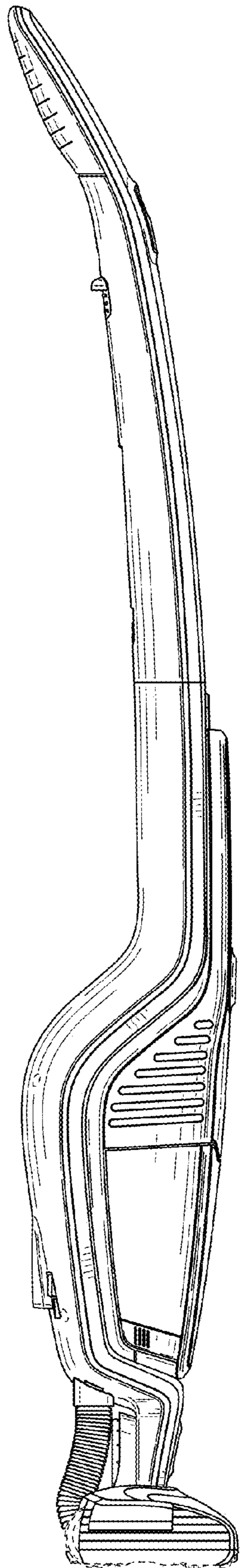


FIG. 4

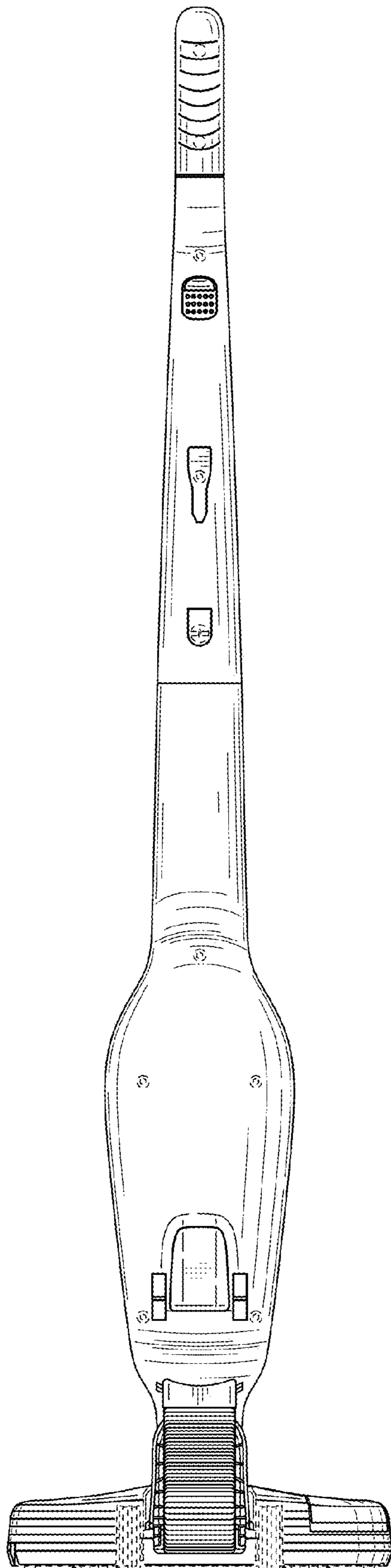


FIG. 5

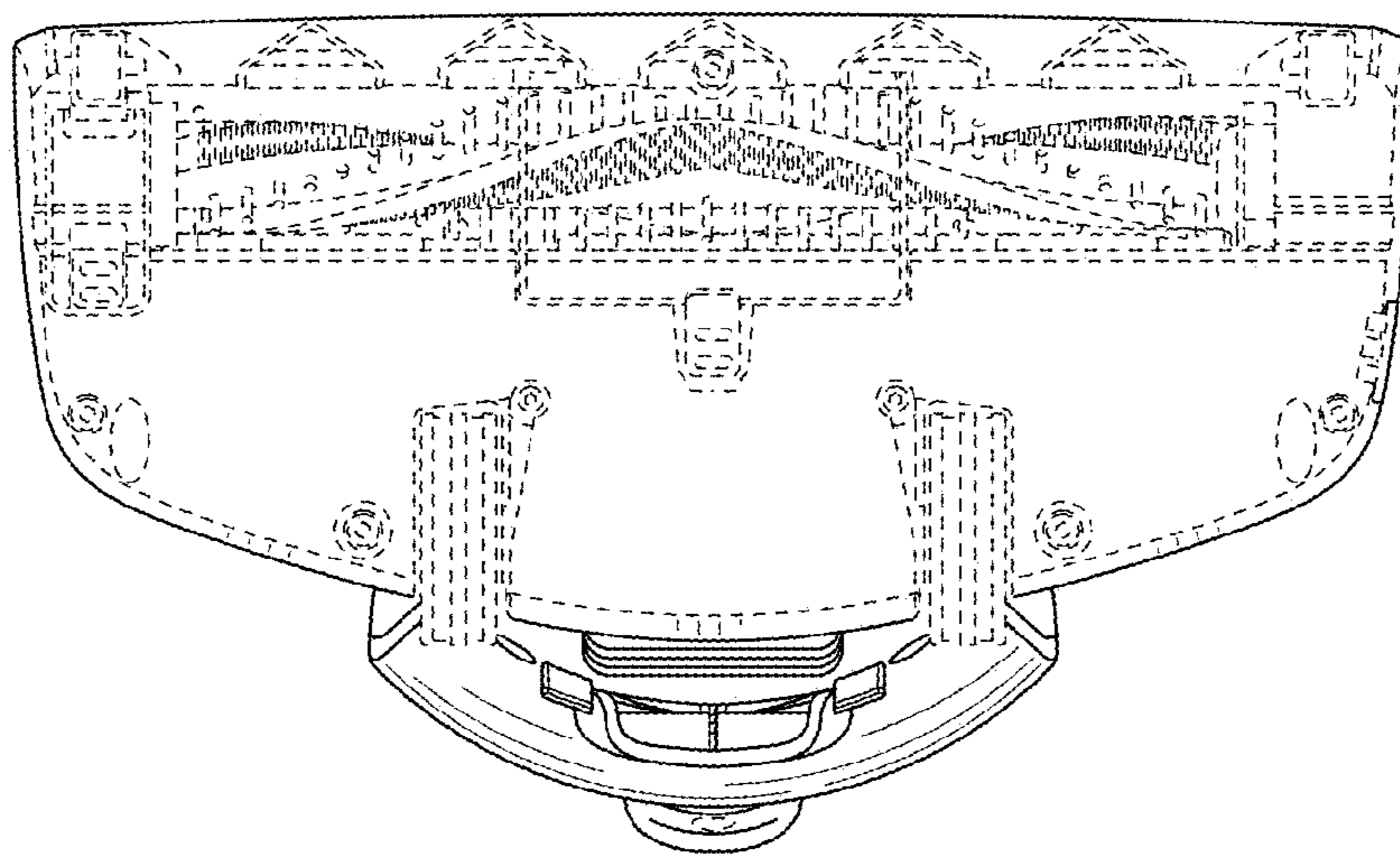


FIG. 6

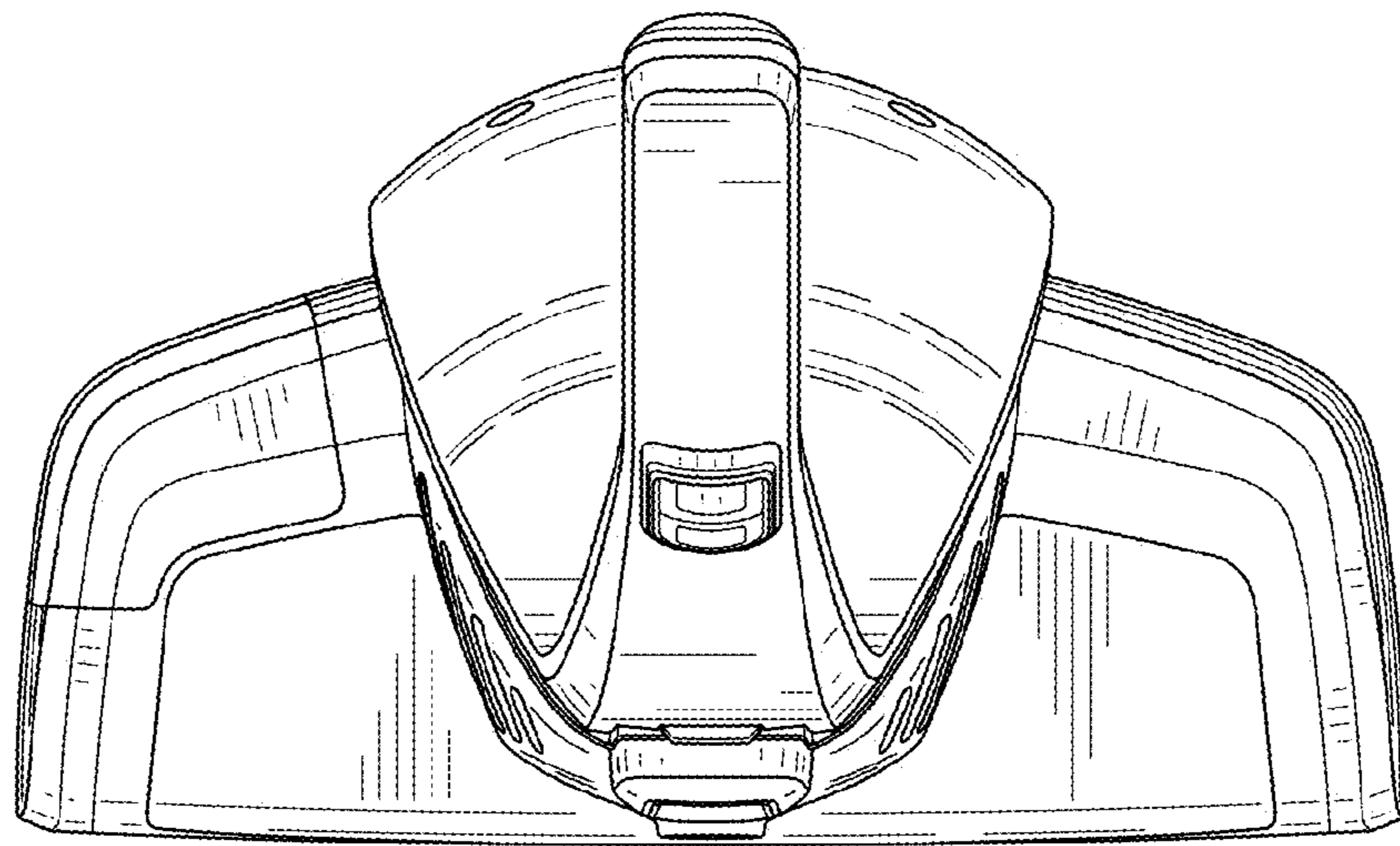


FIG. 7