



US00D743122S

(12) **United States Design Patent**
Roberson et al.

(10) **Patent No.:** **US D743,122 S**

(45) **Date of Patent:** **** Nov. 10, 2015**

(54) **LIGHTED DISHWASHER DOOR**

(56) **References Cited**

(71) Applicant: **BSH Home Appliances Corporation**,
Irvine, CA (US)

U.S. PATENT DOCUMENTS

(72) Inventors: **Lindsay Roberson**, Durham, NC (US);
Michael Georg Rosenbauer,
Reimlingen (DE); **Metin Tastan**,
Dillingen (DE); **Ralf Winkler**,
Wittislingen (DE)

2,703,581	A *	3/1955	Culhane	134/133
3,619,592	A *	11/1971	Lamb, Jr.	134/57 D
5,436,815	A *	7/1995	Grooms et al.	362/216
D421,142	S *	2/2000	Bayat	D26/42
D425,234	S *	5/2000	Marier	D26/78
6,295,004	B1 *	9/2001	Burnett	134/113
D473,980	S *	4/2003	Bowser et al.	D32/3
6,837,591	B2 *	1/2005	Tufte	362/92
D512,544	S *	12/2005	Jeong et al.	D32/3

(73) Assignee: **BSH Home Appliances Corporation**,
Irvine, CA (US)

(Continued)

(**) Term: **14 Years**

Primary Examiner — Robert Delehanty

(21) Appl. No.: **29/524,619**

(74) *Attorney, Agent, or Firm* — James E. Howard; Andre Pallapies

(22) Filed: **Apr. 22, 2015**

(57) **CLAIM**

The ornamental design for a lighted dishwasher door, as shown and described.

Related U.S. Application Data

DESCRIPTION

(60) Division of application No. 29/479,123, filed on Jan. 13, 2014, now Pat. No. Des. 732,756, which is a division of application No. 29/467,696, filed on Sep. 23, 2013, now Pat. No. Des. 702,006, which is a division of application No. 29/434,111, filed on Oct. 10, 2012, now Pat. No. Des. 696,477, which is a division of application No. 29/410,163, filed on Jan. 5, 2012, now Pat. No. Des. 675,792, which is a continuation of application No. 13/043,504, filed on Mar. 9, 2011, now Pat. No. 8,556,439.

FIG. 1 is a perspective view of a light assembly for a dishwasher door according to our new ornamental design; FIG. 2 is a top view thereof; FIG. 3 is a front view thereof; FIG. 4 is a rear view thereof; FIG. 5 is a right view thereof; and FIG. 6 is a left side view thereof; and, FIG. 7 is top perspective view shown in a sample dishwasher door environment.

(51) **LOC (10) Cl.** **15-05**

The broken lines of the dishwasher, door and/or components thereof show surrounding structure or environment and do not form part of the claimed design.

(52) **U.S. Cl.**

USPC **D32/3; D26/42**

The dotted lines represent the border between claimed and unclaimed subject matter and do not form a part of the claimed design.

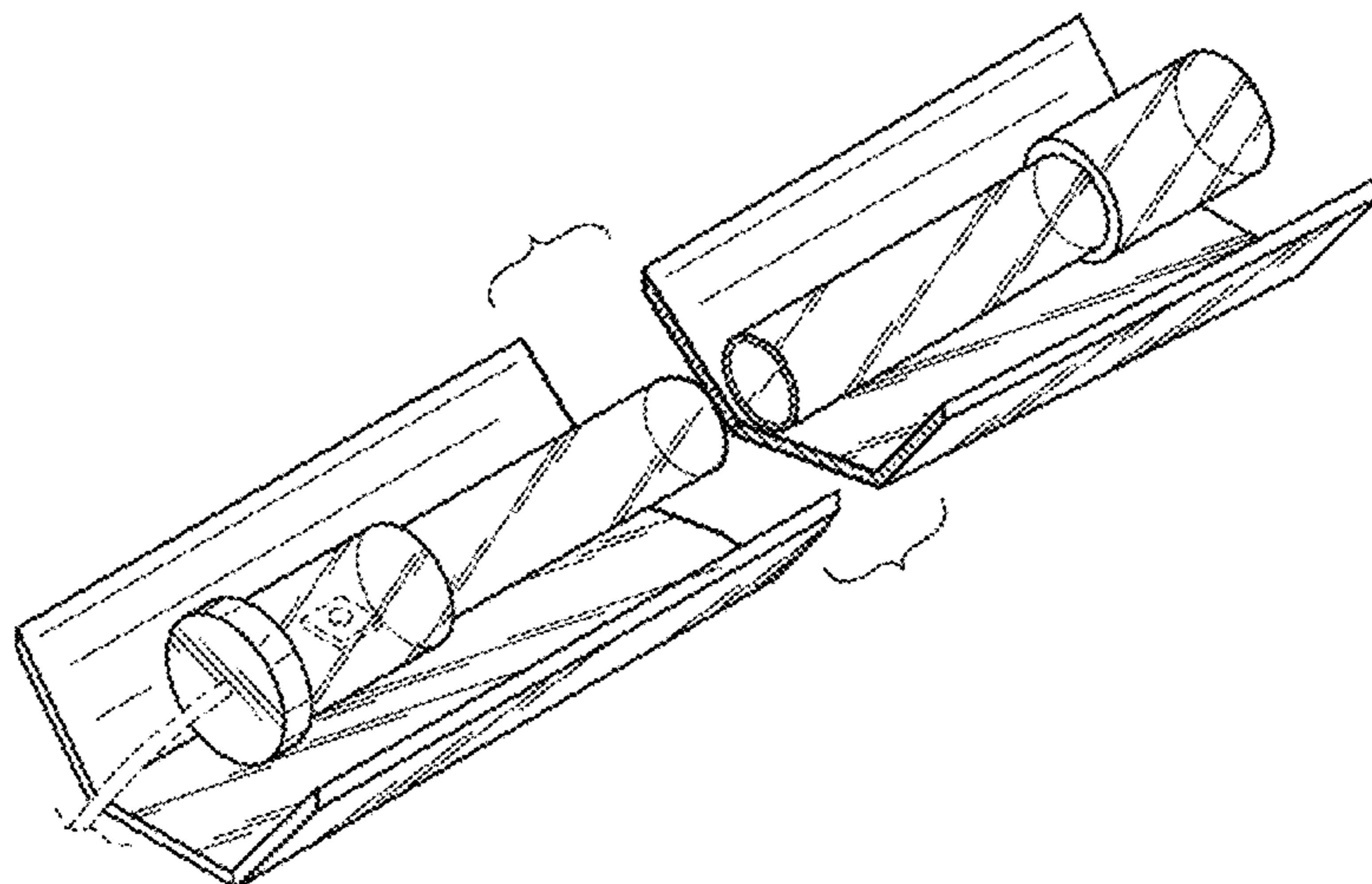
(58) **Field of Classification Search**

USPC D32/1-3, 25, 28; 312/31, 109, 228; 134/56 D, 57 D, 58 D, 58 DL, 201, 134/57 DL; D7/340, 348-350, 405; D26/42, D26/3, 27, 43, 75; 362/555, 551, 602-605, 362/91

The rear of the dishwasher door, and the bottom, sides, rear and/or top of the dishwasher are unornamented or simply not claimed and form no part of the claimed design.

See application file for complete search history.

1 Claim, 4 Drawing Sheets



(56)

References Cited

U.S. PATENT DOCUMENTS

D515,255 S *	2/2006	Jeong	D32/3	D675,792 S *	2/2013	Eng et al.	D32/3
D544,657 S *	6/2007	Jung et al.	D32/2	D677,025 S *	2/2013	Borjesson	D32/3
D580,603 S *	11/2008	Busalt et al.	D32/3	8,388,172 B2 *	3/2013	Yue et al.	362/219
7,651,232 B2 *	1/2010	Baumgartner et al.	362/91	8,556,439 B2 *	10/2013	Eng et al.	362/602
D612,086 S *	3/2010	Brauer et al.	D26/42	D711,573 S *	8/2014	Payne	D26/42
D622,915 S *	8/2010	Crookshanks et al.	D32/3	8,870,392 B2 *	10/2014	Kleinert et al.	353/119
8,021,009 B2 *	9/2011	Knoll et al.	362/602	2008/0106429 A1 *	5/2008	Kaczmarek et al.	340/679
				2008/0236563 A1 *	10/2008	Wilsdorf	340/540
				2010/0147338 A1 *	6/2010	Busing et al.	134/56 D
				2011/0031856 A1 *	2/2011	Haltmayer et al.	312/228

* cited by examiner

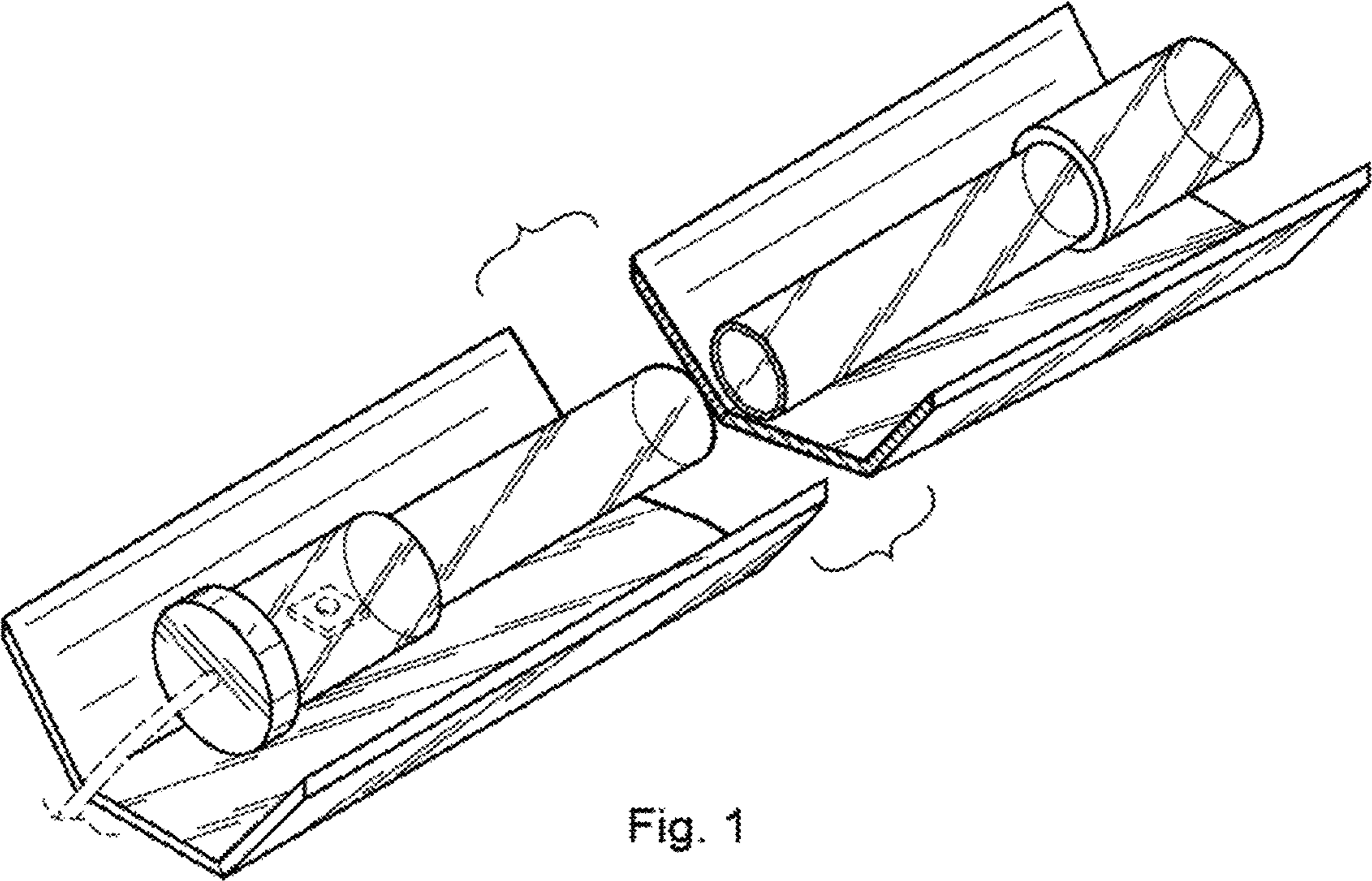
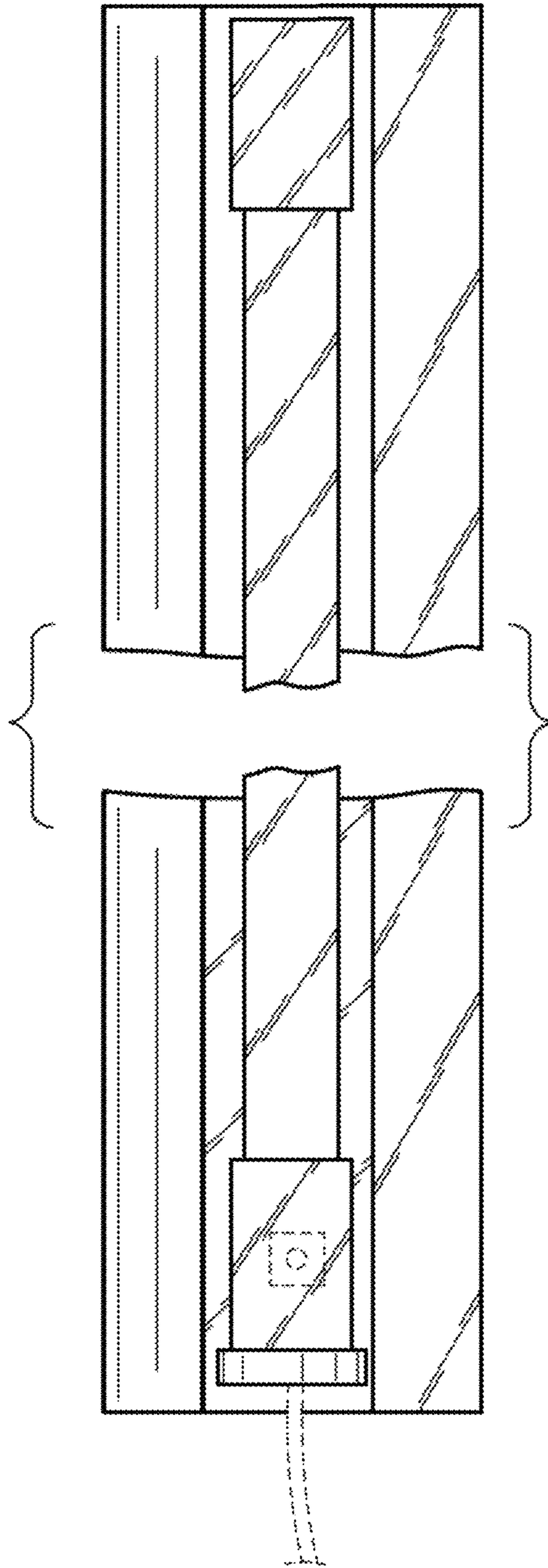


Fig. 1



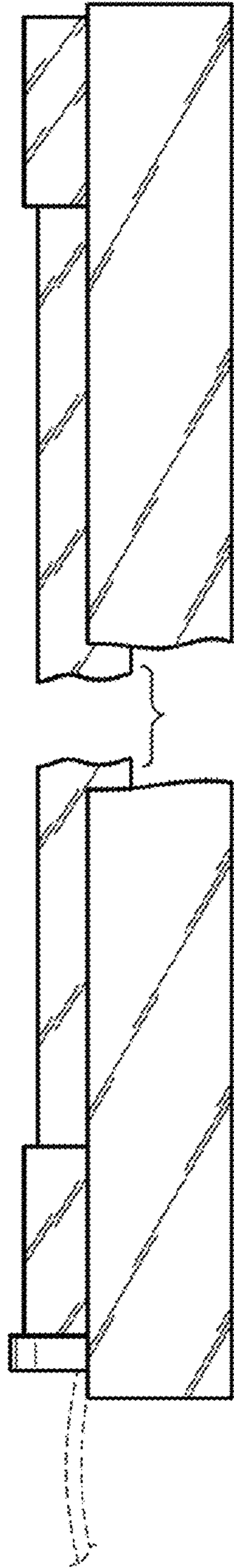


Fig. 3

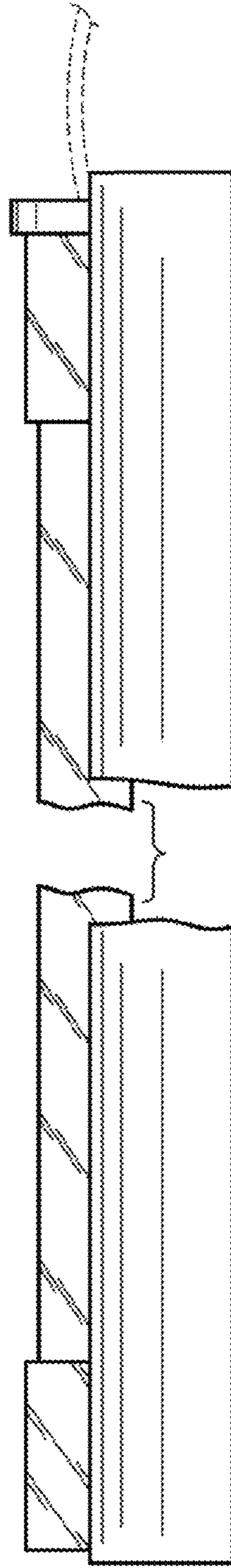


Fig. 4

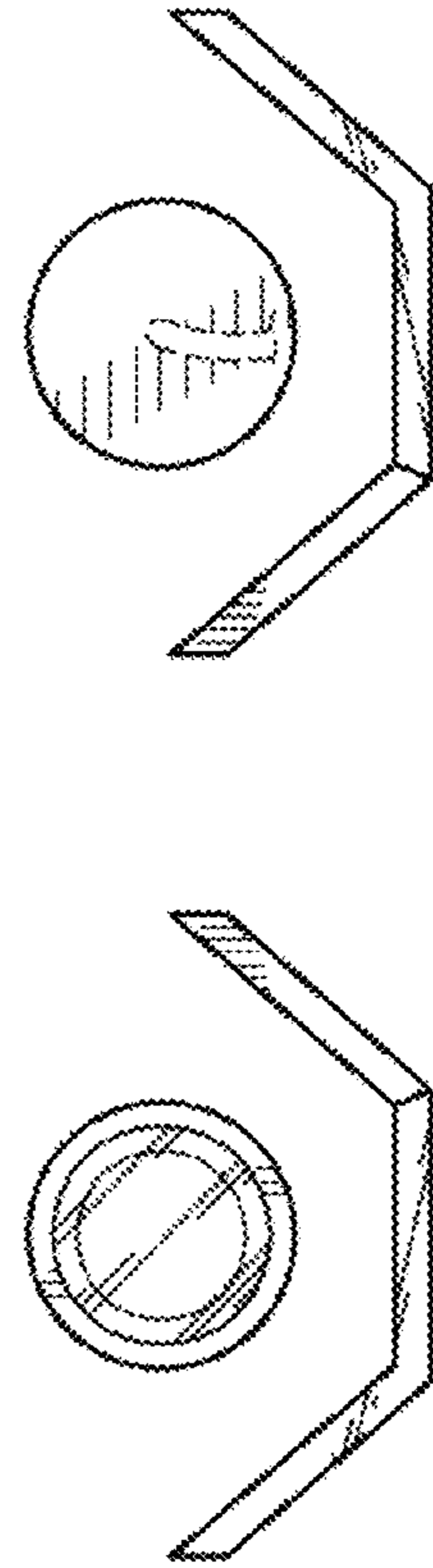


Fig. 5

Fig. 6

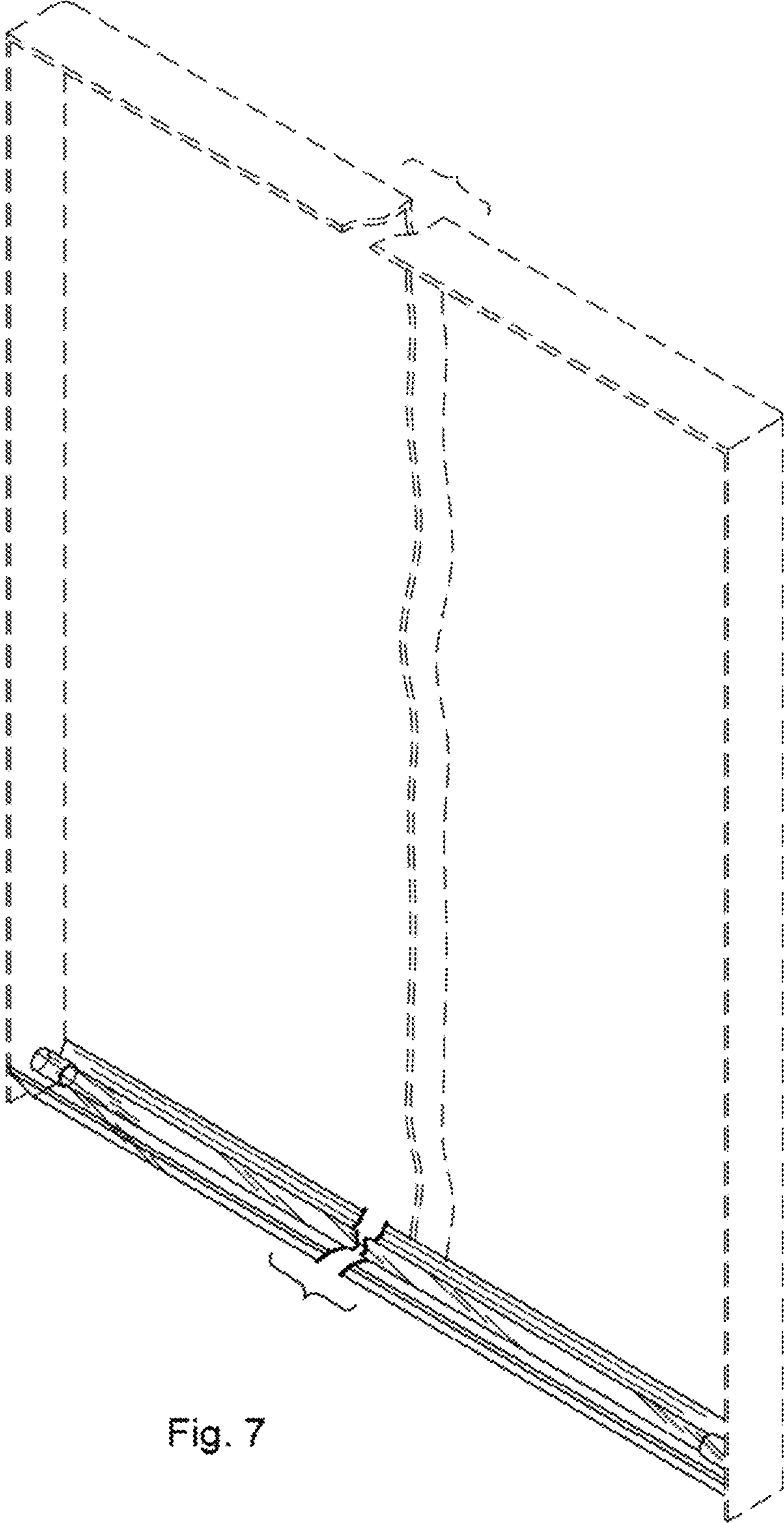


Fig. 7