



US00D743113S

(12) **United States Design Patent**
Hill

(10) **Patent No.:** **US D743,113 S**

(45) **Date of Patent:** **** Nov. 10, 2015**

(54) **PET FEEDER**

(71) Applicant: **SureFlap Ltd**, Cambridge,
Cambridgeshire (GB)

(72) Inventor: **Nicholas Patrick Roland Hill**,
Cambridge (GB)

(73) Assignee: **SUREFLAP LTD.**, Cambridgeshire
(GB)

(**) Term: **14 Years**

(21) Appl. No.: **29/509,715**

(22) Filed: **Nov. 20, 2014**

(51) **LOC (10) Cl.** **30-03**

(52) **U.S. Cl.**
USPC **D30/130**

(58) **Field of Classification Search**
USPC D30/133, 121, 128, 130, 132, 129;
119/52.1, 55, 61.5-61.56;
D6/480-485; 248/188; 312/204;
108/153.1-157
CPC A01K 5/0114; A01K 5/01; A01K 5/0135;
A01K 7/005; A01K 7/00; A01K 7/02; A01K
5/0142; A01K 5/0121; A01K 5/0128; A01K
27/004; A01K 39/014; A01K 39/00; A01K
39/02; A01K 39/0113; A47J 43/0727; A01M
29/34; B29C 65/48; B65D 81/36
See application file for complete search history.

(56) **References Cited**

U.S. PATENT DOCUMENTS

3,121,419 A * 2/1964 Gillespie 119/62
3,176,656 A * 4/1965 Bates 119/62
D217,060 S * 3/1970 Wilson D30/129
3,503,351 A * 3/1970 Solomon 112/324

(Continued)

Primary Examiner — Susan Moon Lee

(74) *Attorney, Agent, or Firm* — Knobbe Martens Olson &
Bear LLP

(57) **CLAIM**

The ornamental design for a pet feeder, as shown and
described.

DESCRIPTION

FIG. 1 is a front view of the pet feeder of the present design
showing the front portion of the pet feeder in a closed con-
figuration;

FIG. 2 is a back view of the pet feeder of the present design
showing the back portion of the pet feeder in the closed
configuration;

FIG. 3 is a side view of the pet feeder of the present design
showing a first side portion of the pet feeder in the closed
configuration;

FIG. 4 is a side view of the pet feeder of the present design
showing a second side portion of the pet feeder in the closed
configuration;

FIG. 5 is a top view of the pet feeder of the present design
showing the top portion of the pet feeder in the closed con-
figuration;

FIG. 6 is a bottom view of the pet feeder of the present design
showing the bottom portion of the pet feeder;

FIG. 7 is a perspective view of a pet feeder of the present
design showing the back, top, and second side portions of the
pet feeder in a closed configuration;

FIG. 8 is a perspective view of a pet feeder of the present
design showing the front, top, and first side portions of the pet
feeder in a closed configuration;

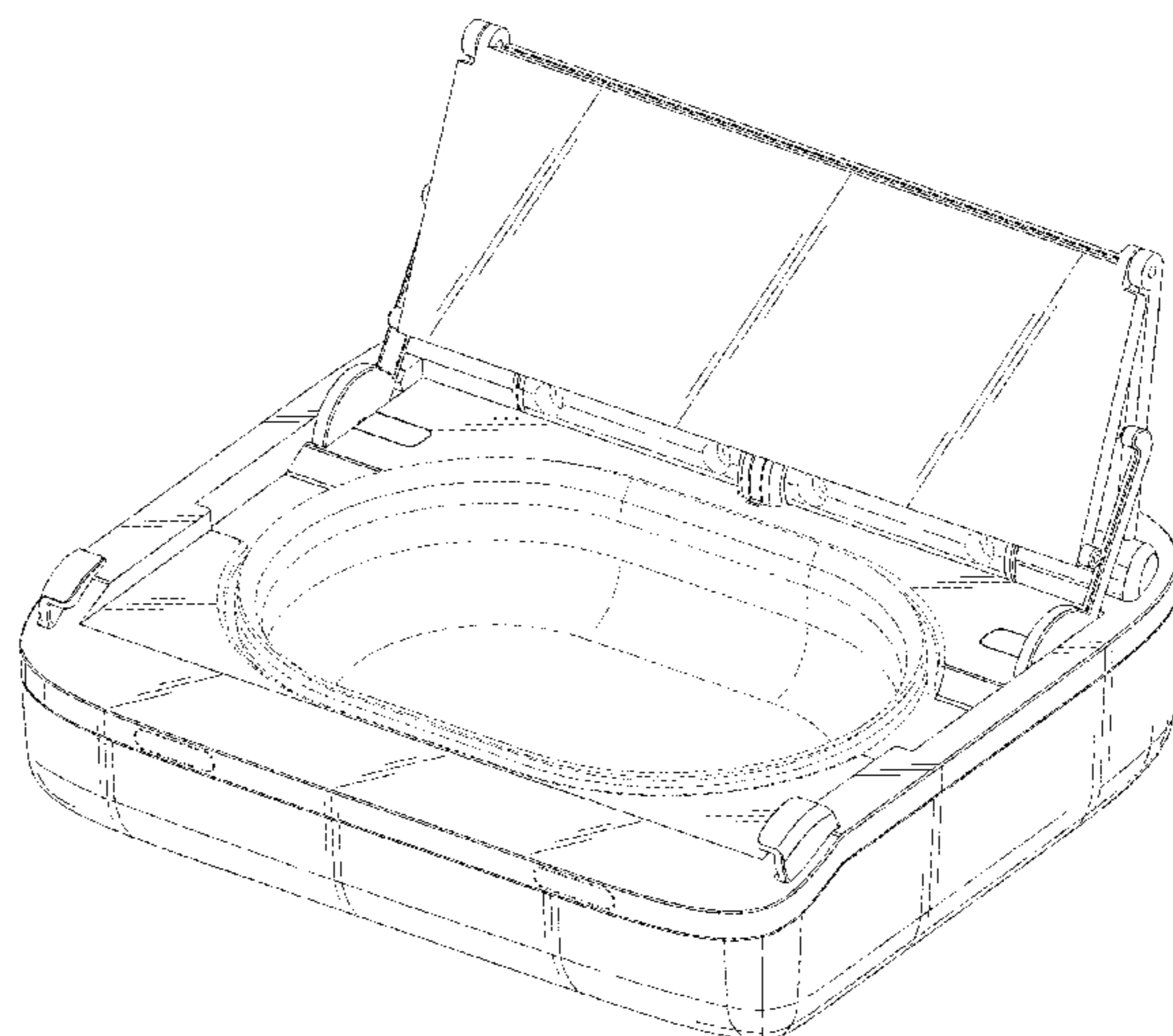
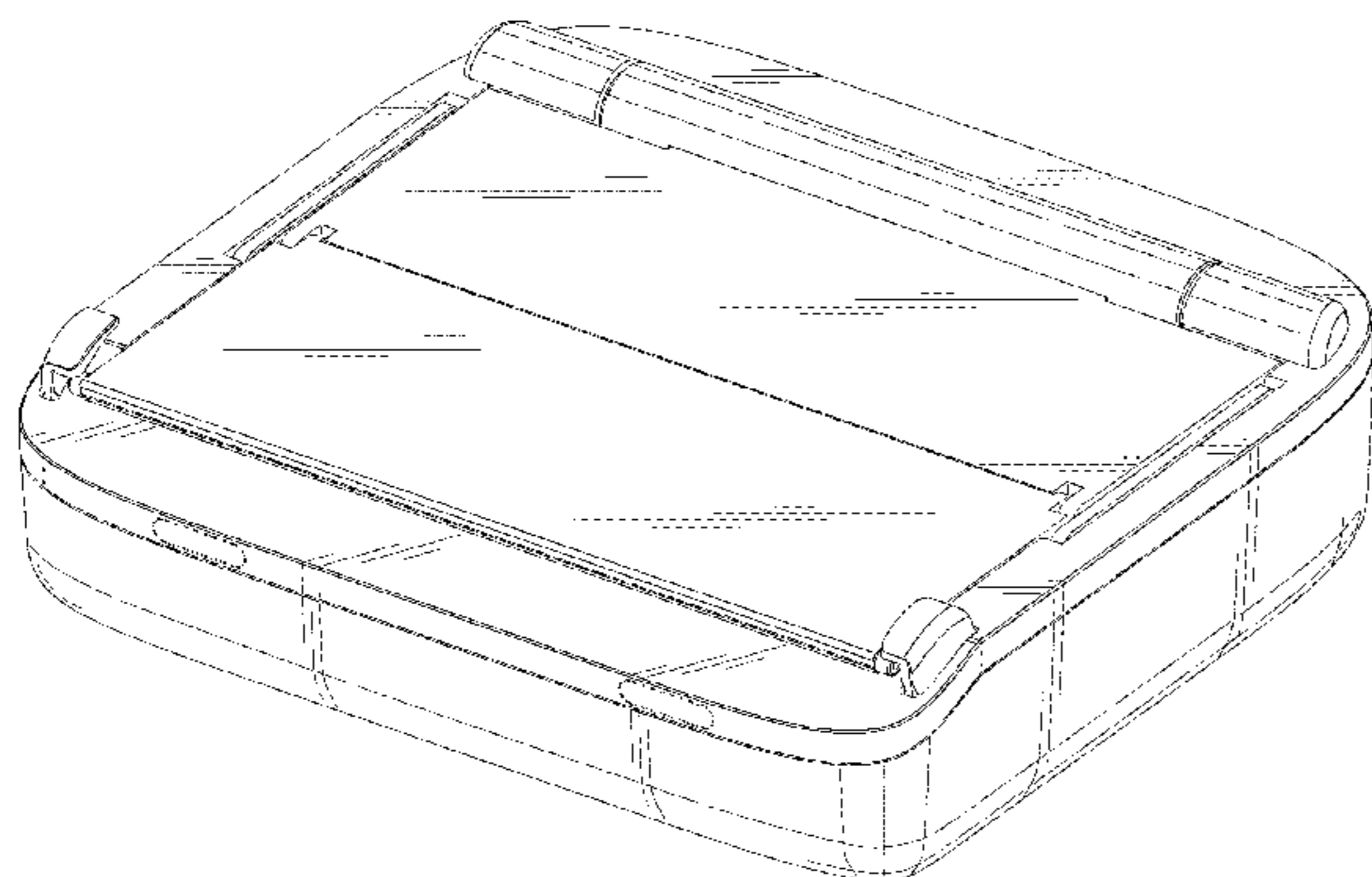
FIG. 9 is a perspective view of a pet feeder of the present
design showing the back, bottom, and first side portions of the
pet feeder in a closed configuration;

FIG. 10 is a front view of the pet feeder of the present design
showing the front portion of the pet feeder in an open con-
figuration; and,

FIG. 11 is a perspective view of a pet feeder of the present
design showing the front, top, and first side portions of the pet
feeder in the open configuration.

Broken lines and unshaded portions contained within broken
lines are not claimed.

1 Claim, 5 Drawing Sheets



(56)

References Cited

U.S. PATENT DOCUMENTS

3,599,608	A *	8/1971	Esquivel	119/51.12	D449,137	S *	10/2001	Newman	D30/129
3,651,787	A *	3/1972	Cooper	119/51.01	6,557,489	B2 *	5/2003	King	119/51.01
3,749,063	A *	7/1973	Buffum	119/61.56	D478,693	S *	8/2003	Steinbacher	D30/130
D232,103	S *	7/1974	Suzuki	D30/130	6,694,916	B1 *	2/2004	Rucker et al.	119/51.01
3,902,598	A *	9/1975	Koob et al.	206/398	D503,336	S *	3/2005	Tucker et al.	D9/425
4,175,516	A *	11/1979	Savage	119/62	D506,854	S *	6/2005	Baker	D30/133
D260,043	S *	7/1981	Robinson	D30/129	7,306,409	B2 *	12/2007	Stabel et al.	407/113
4,389,976	A *	6/1983	Novak	119/62	D580,110	S *	11/2008	Tsengas	D30/133
D275,530	S *	9/1984	Duckworth	D3/295	7,469,657	B2 *	12/2008	Drummond	119/62
4,691,664	A *	9/1987	Crowell	119/61.52	7,665,417	B1 *	2/2010	Harper	119/51.01
4,793,290	A *	12/1988	O'Donnell	119/62	7,955,032	B2 *	6/2011	Nelson	407/113
5,649,499	A *	7/1997	Krietzman et al.	119/52.1	D649,869	S *	12/2011	Gibson et al.	D9/421
5,794,565	A *	8/1998	Beshah	119/61.54	D659,913	S *	5/2012	Spectre et al.	D30/130
D423,734	S *	4/2000	Dahl	D30/131	8,701,594	B2 *	4/2014	Vickery et al.	119/51.01
D432,370	S *	10/2000	Phetthaweebancha	D7/709	D719,705	S *	12/2014	Hill	D30/130
					2006/0032451	A1 *	2/2006	Gonet	119/61.5
					2012/0285389	A1 *	11/2012	Barz	119/61.54
					2014/0090601	A1 *	4/2014	Stone	119/51.01

* cited by examiner

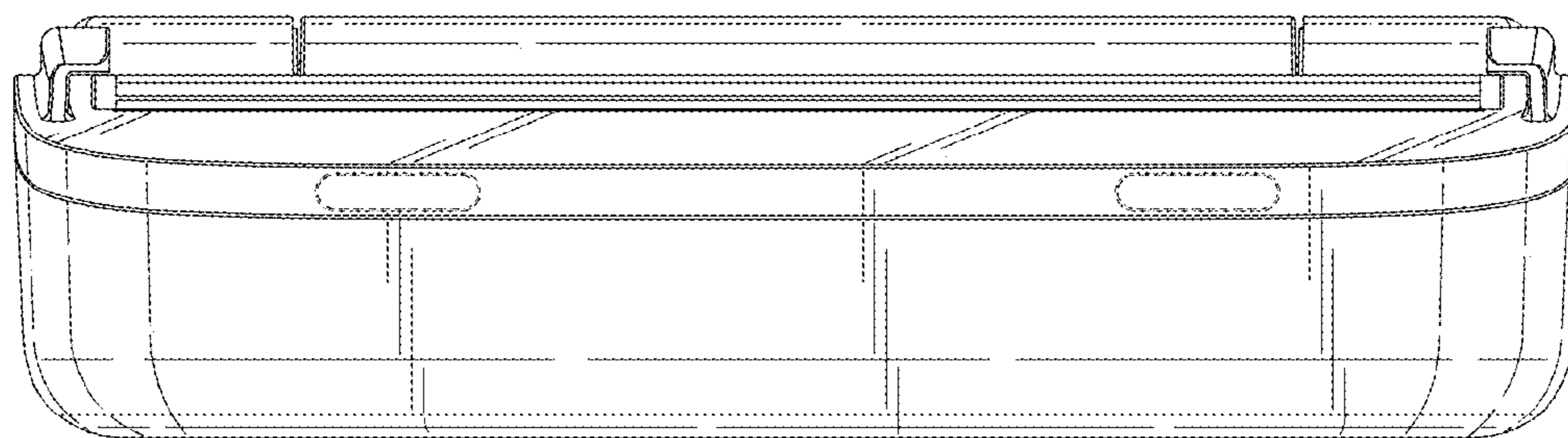


FIG. 1

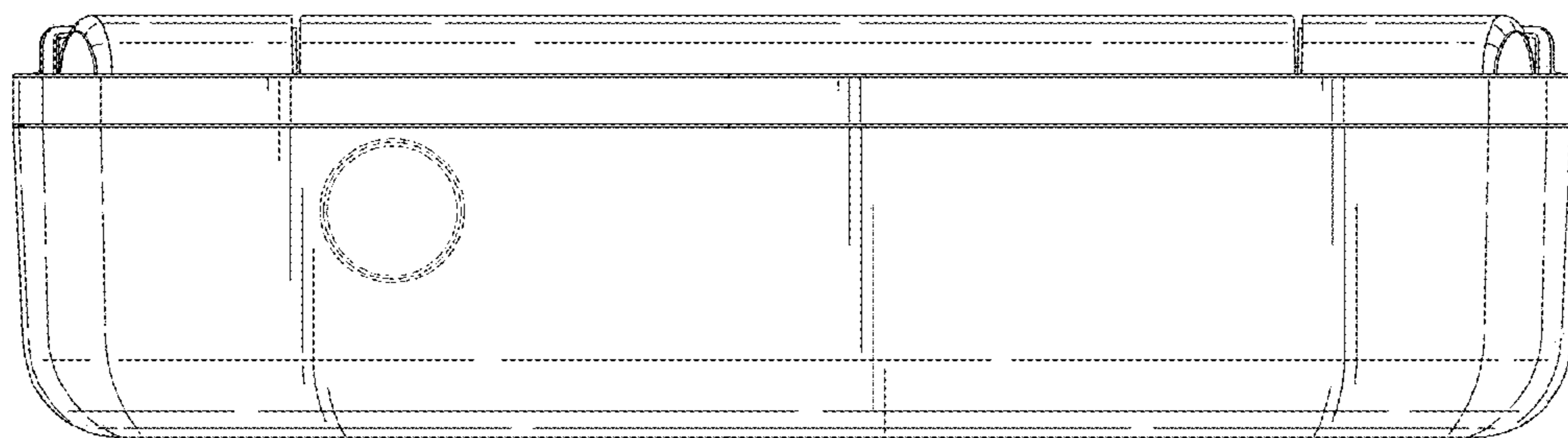


FIG. 2

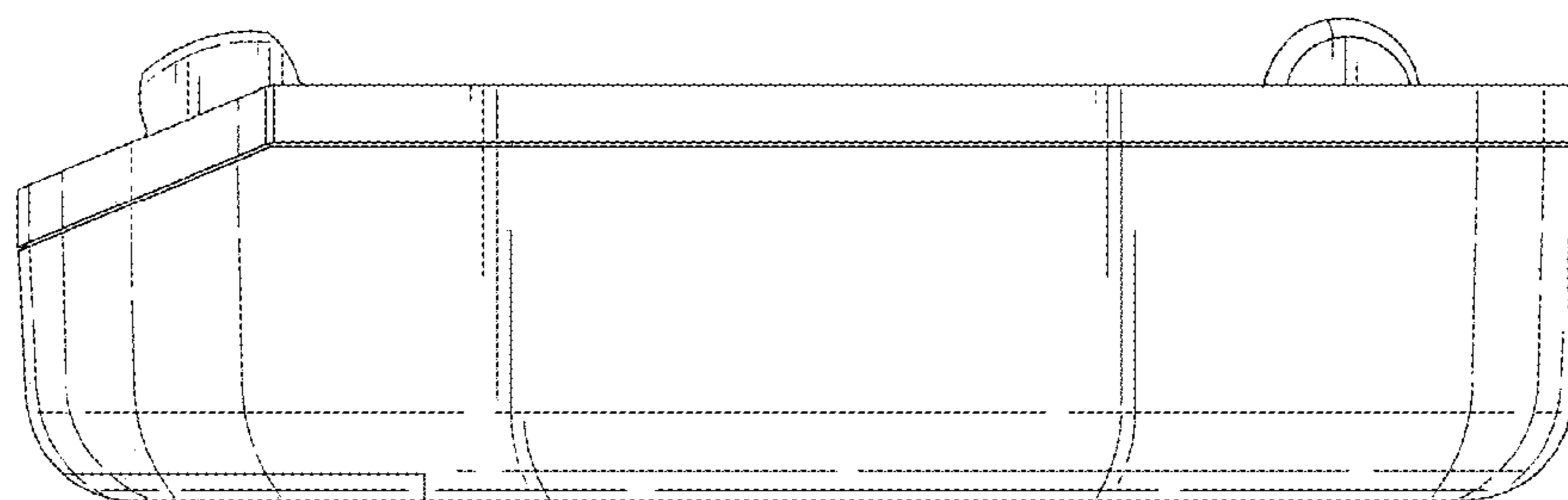


FIG. 3

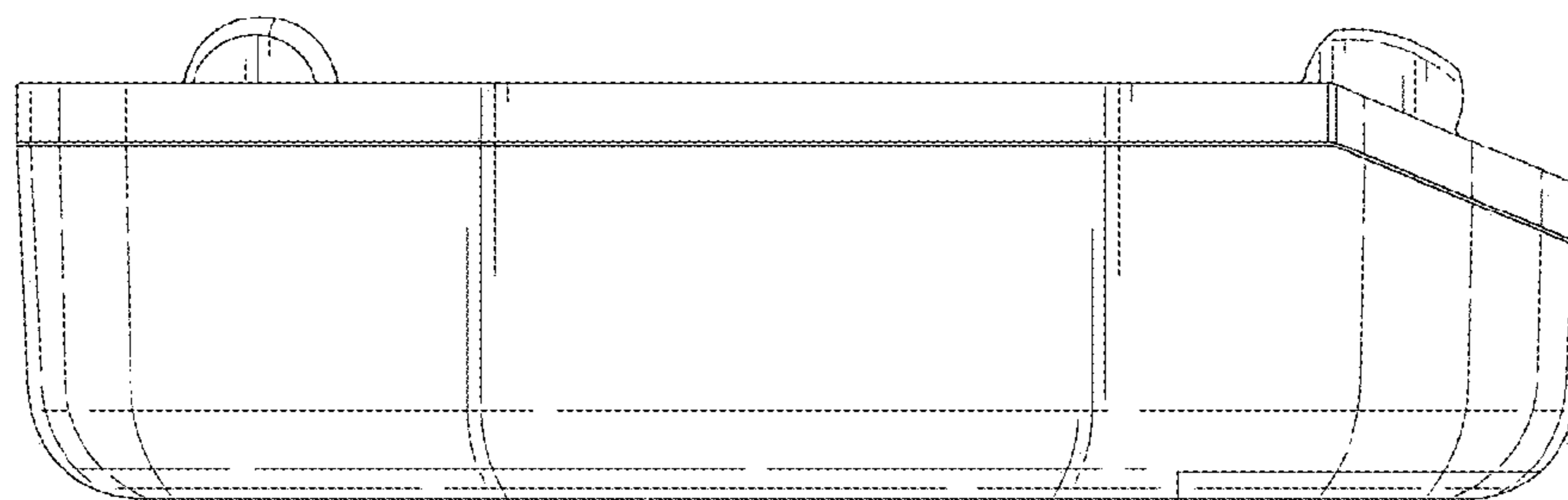


FIG. 4

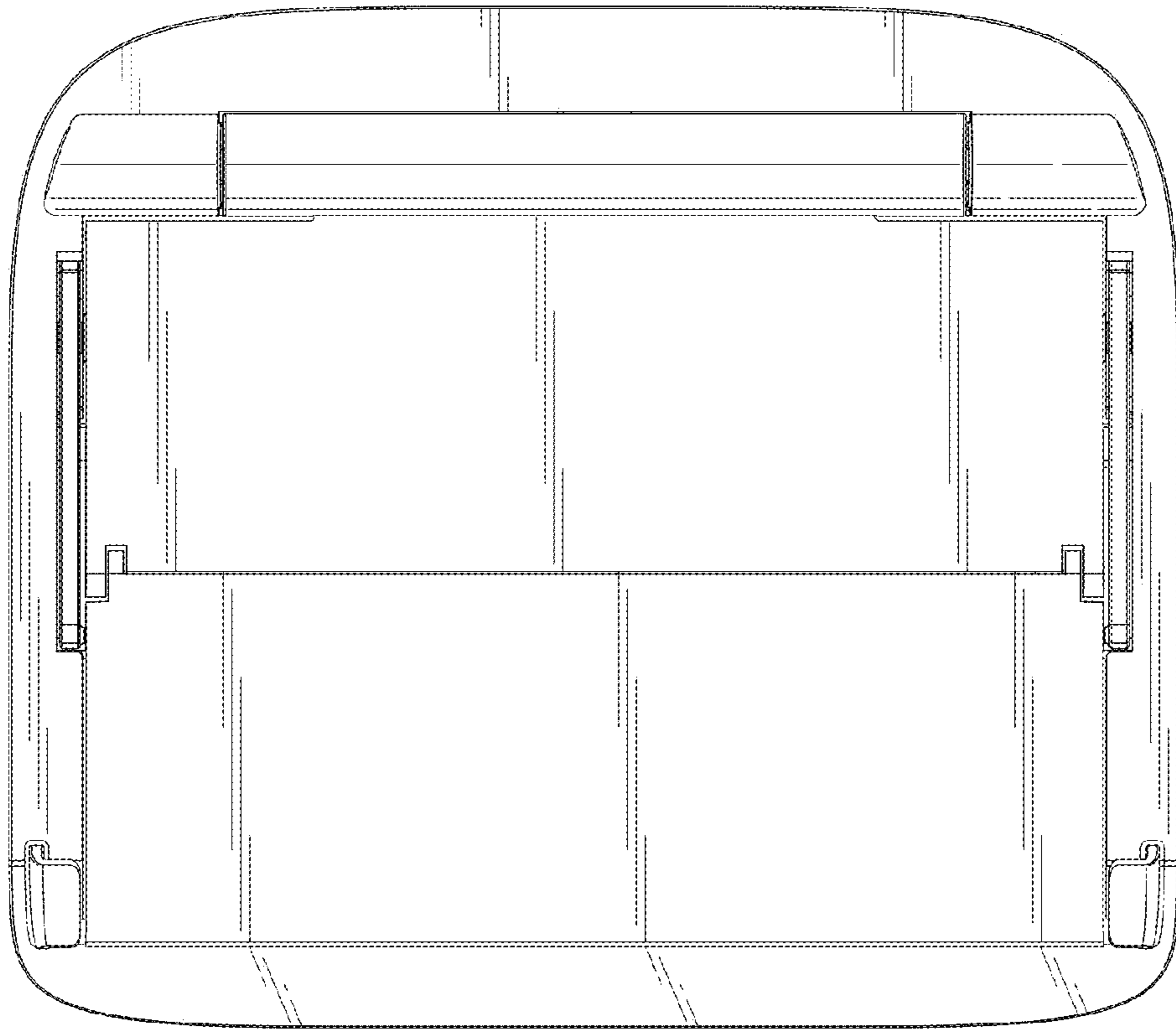


FIG. 5

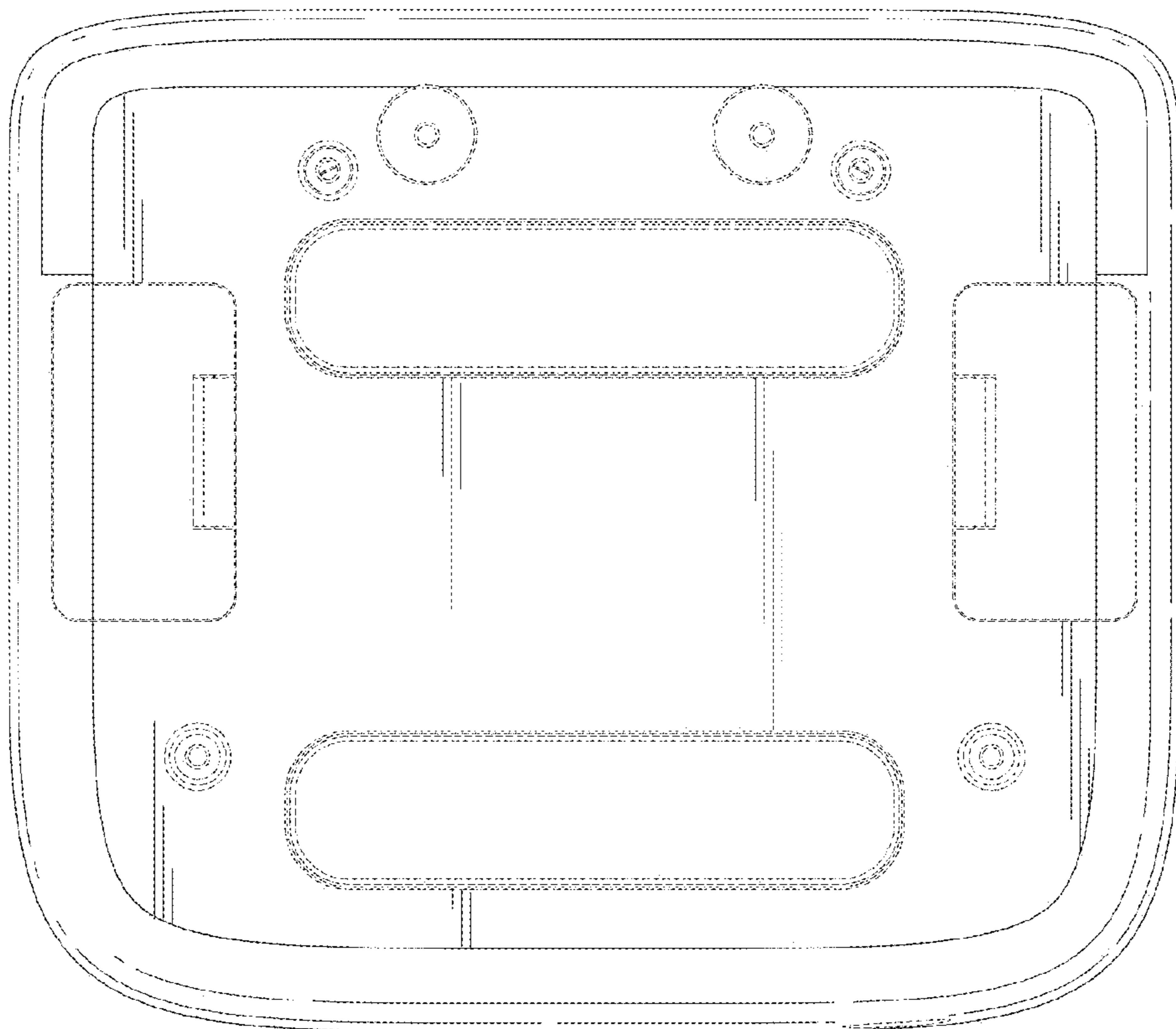
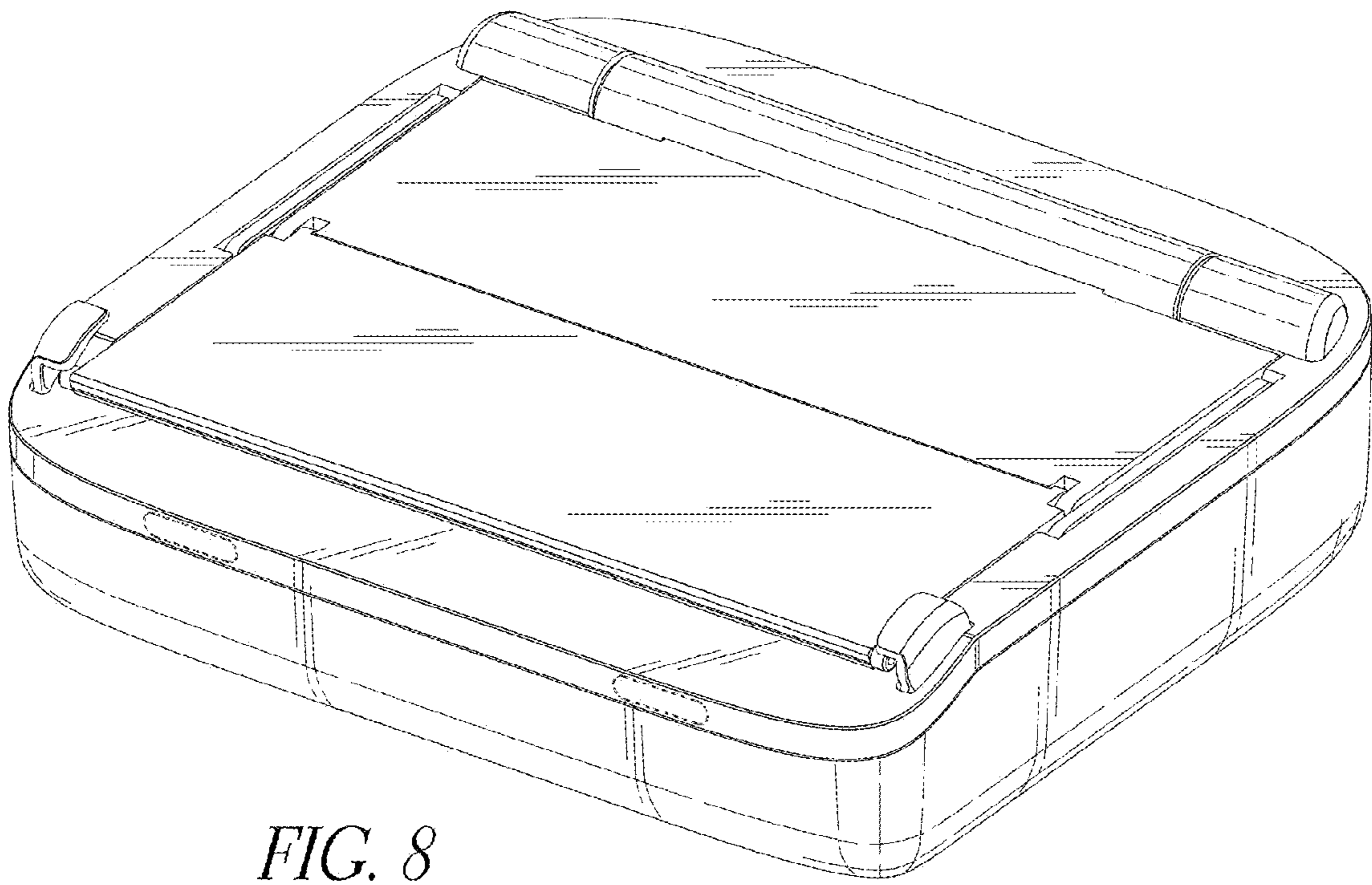
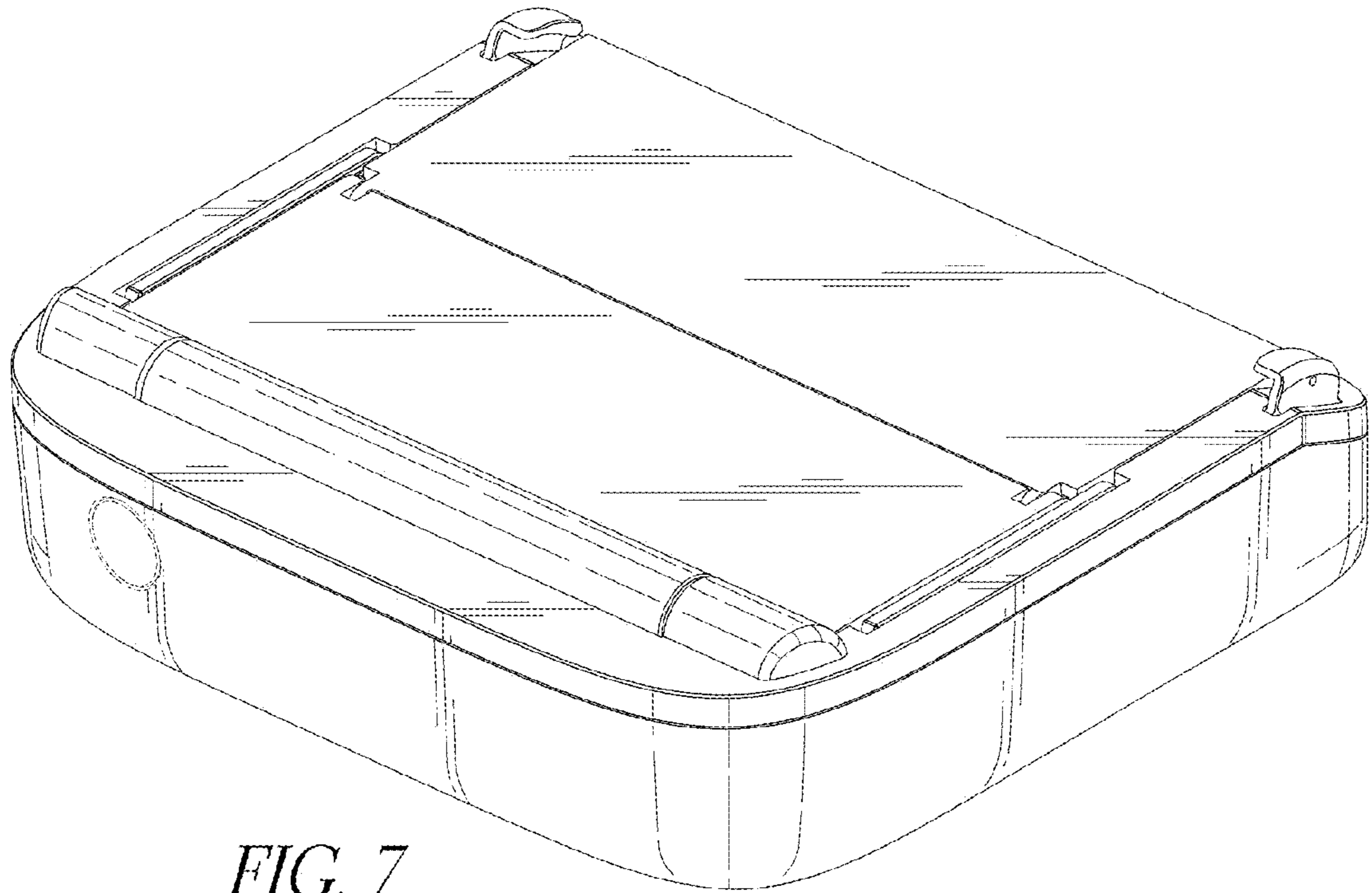


FIG. 6



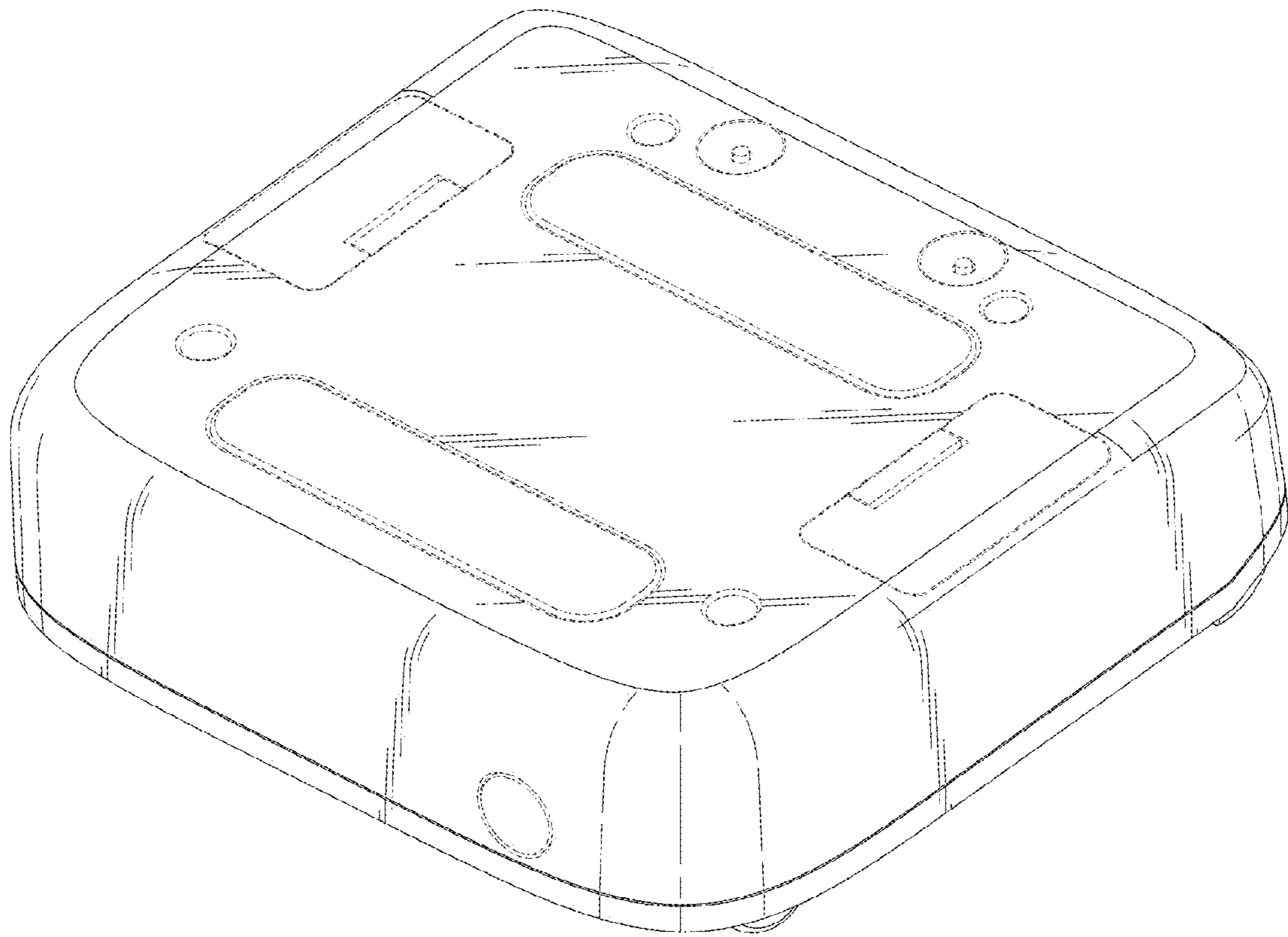


FIG. 9

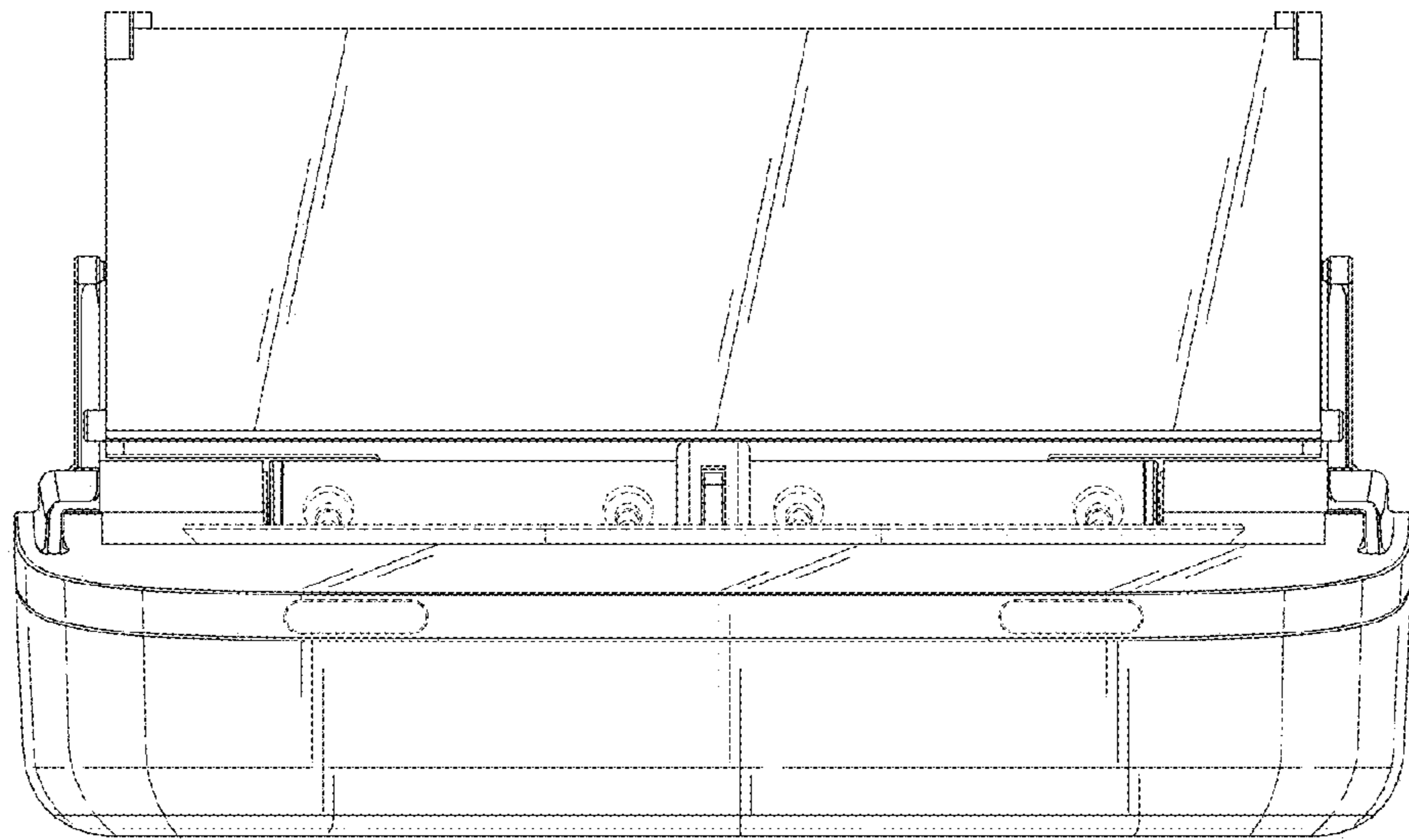


FIG. 10

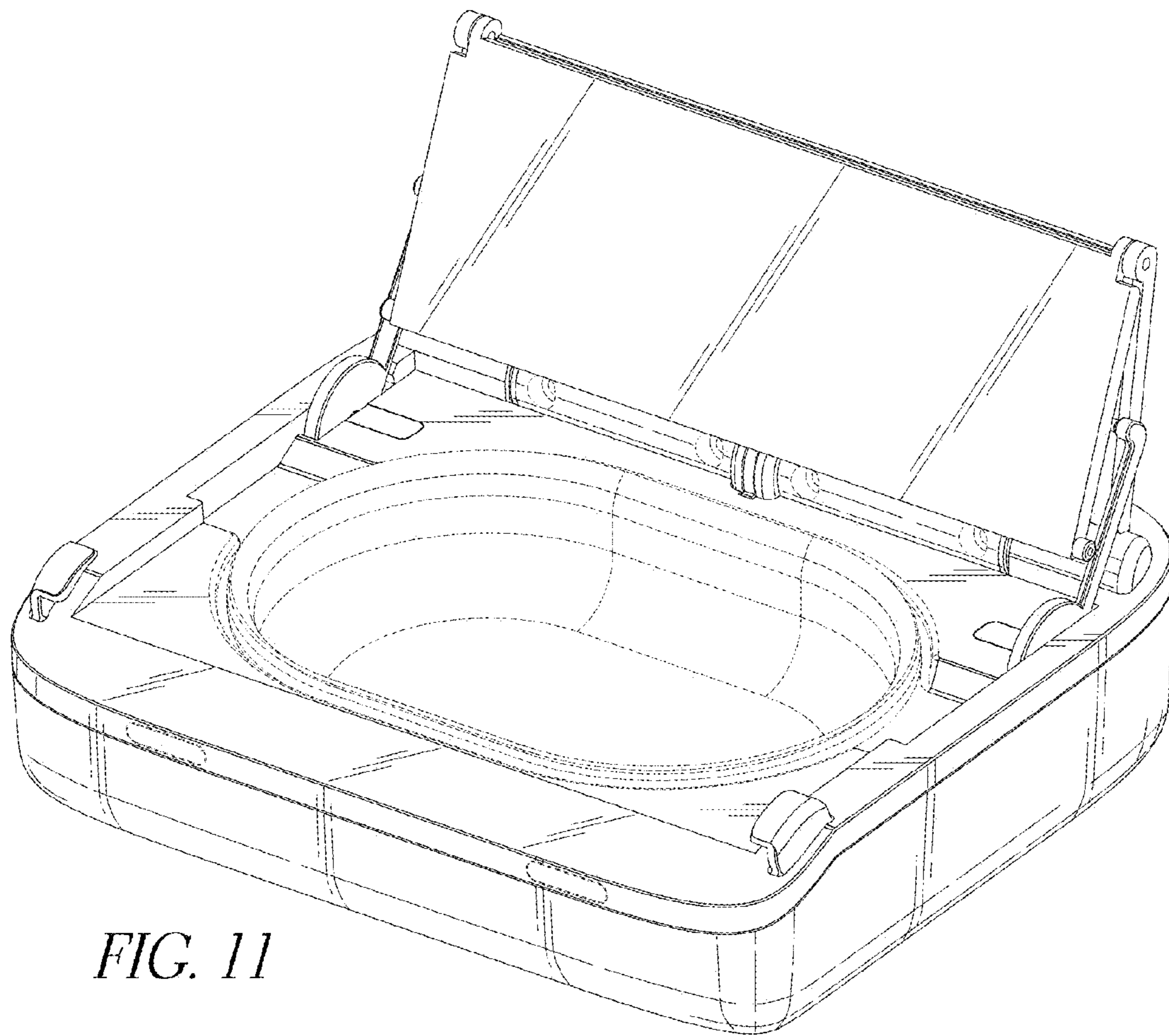


FIG. 11