



US00D743109S

(12) **United States Design Patent**
Charlton

(10) **Patent No.:** **US D743,109 S**

(45) **Date of Patent:** **** Nov. 10, 2015**

(54) **MOUTHPIECE**

(71) Applicant: **NEW AGE PERFORMANCE INC.**,
Mississauga (CA)

(72) Inventor: **Robert Charlton**, Etobicoke (CA)

(73) Assignee: **NEW AGE PERFORMANCE INC.**,
Mississauga (CA)

(**) Term: **14 Years**

(21) Appl. No.: **29/504,912**

(22) Filed: **Oct. 10, 2014**

(30) **Foreign Application Priority Data**

Apr. 11, 2014 (CA) 156095

(51) **LOC (10) Cl.** **29-02**

(52) **U.S. Cl.**
USPC **D29/108**

(58) **Field of Classification Search**

USPC D29/100, 105, 106, 108, 122;
D24/108-110.5, 156, 176, 181;
128/859, 860, 861, 862, 857, 846, 848;
602/902; 433/6, 18, 24, 168.1; 2/9,
2/424, 425; D21/812
CPC A61F 5/566; A61F 5/58; A63B 71/08;
A63B 71/081; A63B 71/085; A63B 2071/085;
A63B 2071/088; A61C 7/10; A61C 13/08;
A61C 13/081; A61C 13/083; A61C 13/087;
A61C 19/066; A61C 5/14; A61B 13/00;
A61B 1/24

See application file for complete search history.

(56) **References Cited**

U.S. PATENT DOCUMENTS

3,924,638	A *	12/1975	Mann	606/234
5,194,003	A *	3/1993	Garay et al.	433/215
D406,405	S *	3/1999	Yoshida	D29/108
6,978,786	B2 *	12/2005	Sabbagh	128/859
D541,481	S *	4/2007	Farrell	D29/108
7,832,404	B2 *	11/2010	Jansheski	128/859
D641,478	S *	7/2011	Belvedere et al.	D24/180
D688,832	S *	8/2013	Polk, III	D29/108
2011/0114100	A1 *	5/2011	Alvarez et al.	128/861
2011/0186055	A1 *	8/2011	Makkar et al.	128/862
2012/0085354	A1 *	4/2012	Polk, III	128/861

* cited by examiner

Primary Examiner — Elizabeth J Oswecki

(57) **CLAIM**

The ornamental design for a mouthpiece, as shown and described.

DESCRIPTION

FIG. 1 is a front, top, side perspective view of a mouthpiece showing my new design;
FIG. 2 is a front elevation view thereof;
FIG. 3 is a rear elevation view thereof;
FIG. 4 is a top plan view thereof;
FIG. 5 is a side elevation view thereof;
FIG. 6 is an opposite side elevation view thereof; and,
FIG. 7 is a bottom plan view thereof.

1 Claim, 4 Drawing Sheets

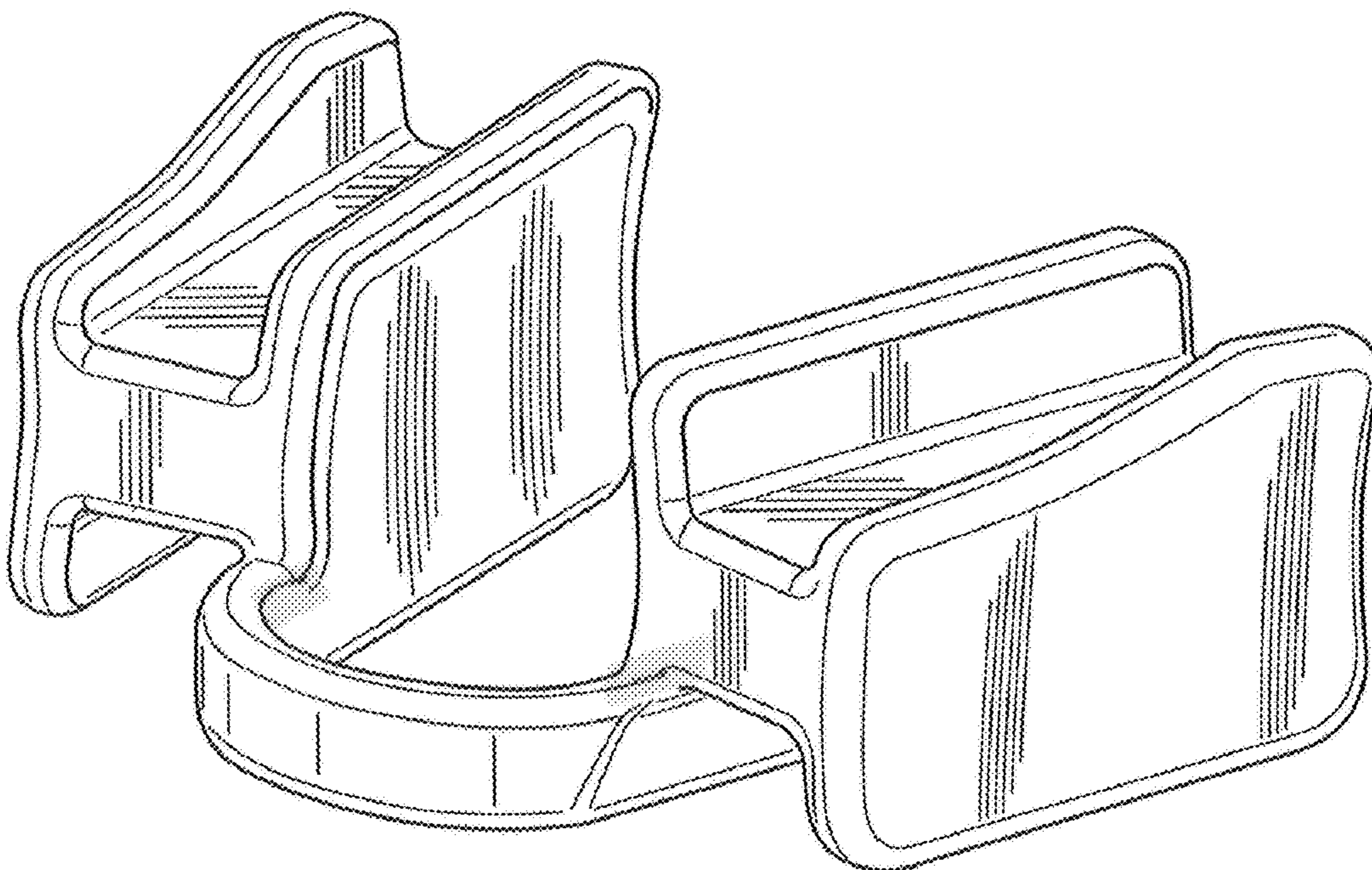


Fig. 1

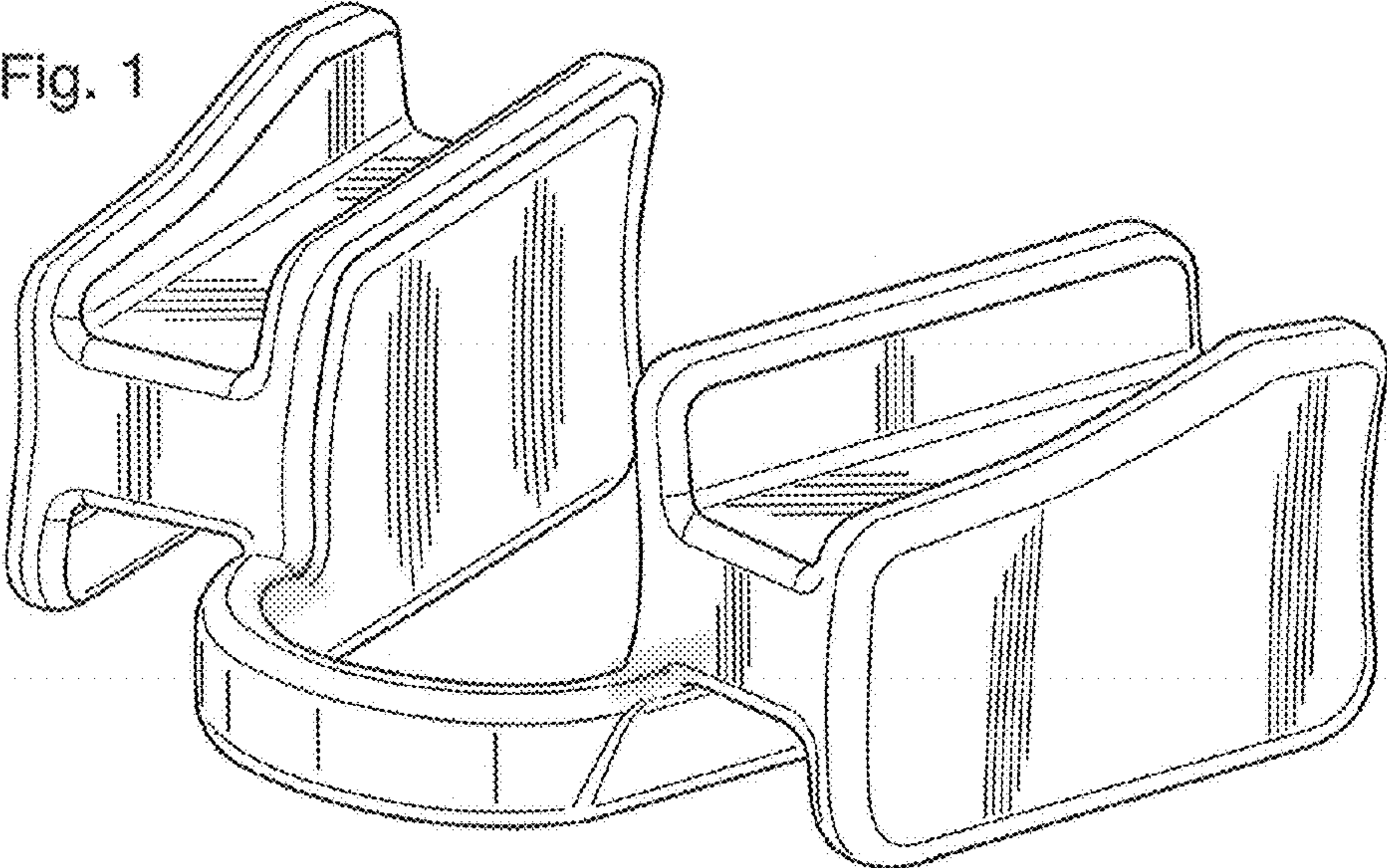


Fig. 2

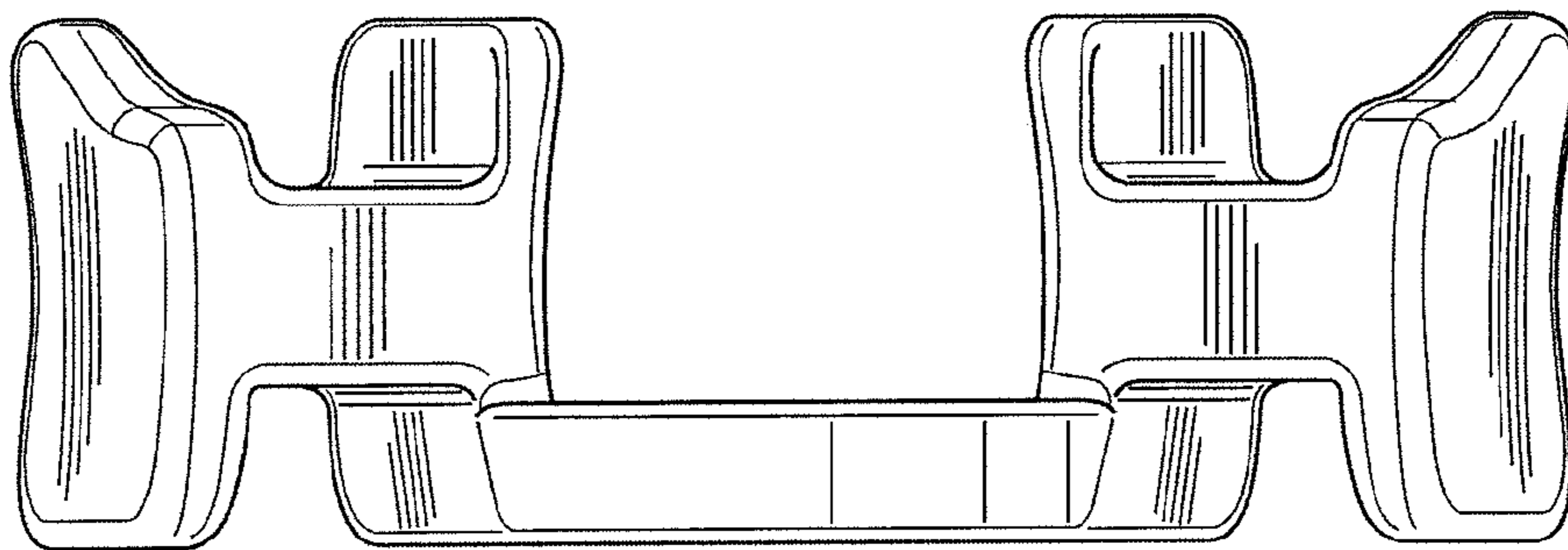


Fig. 3

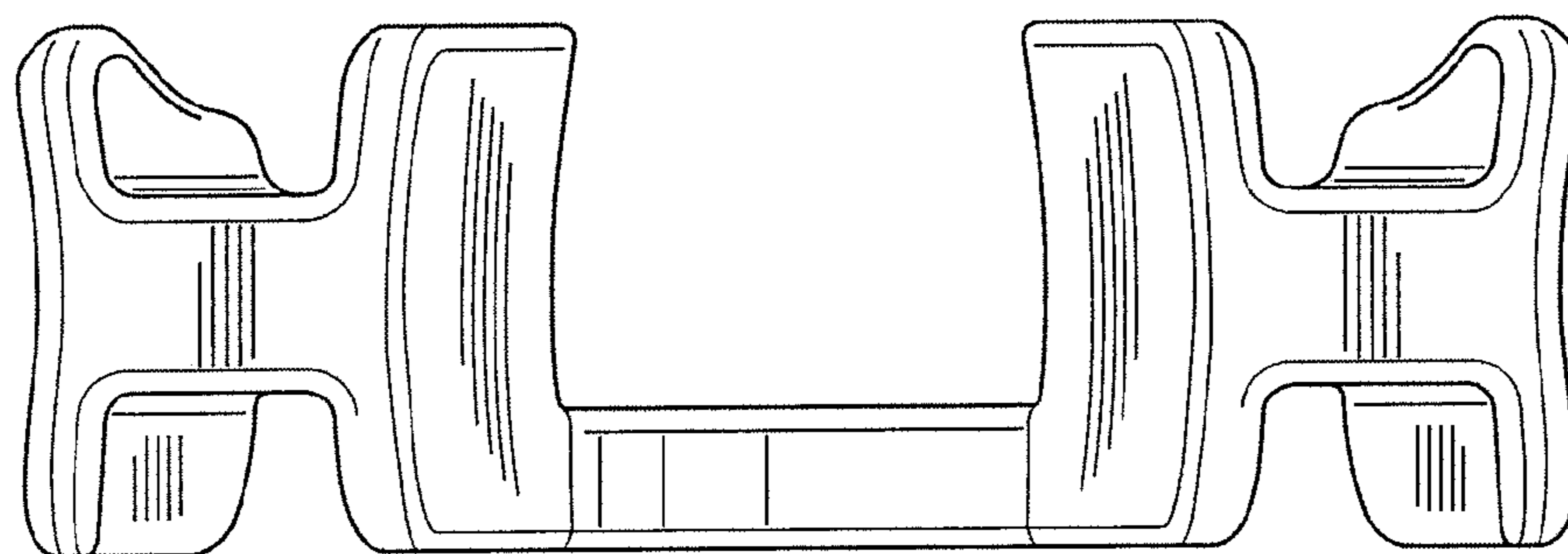


Fig. 4

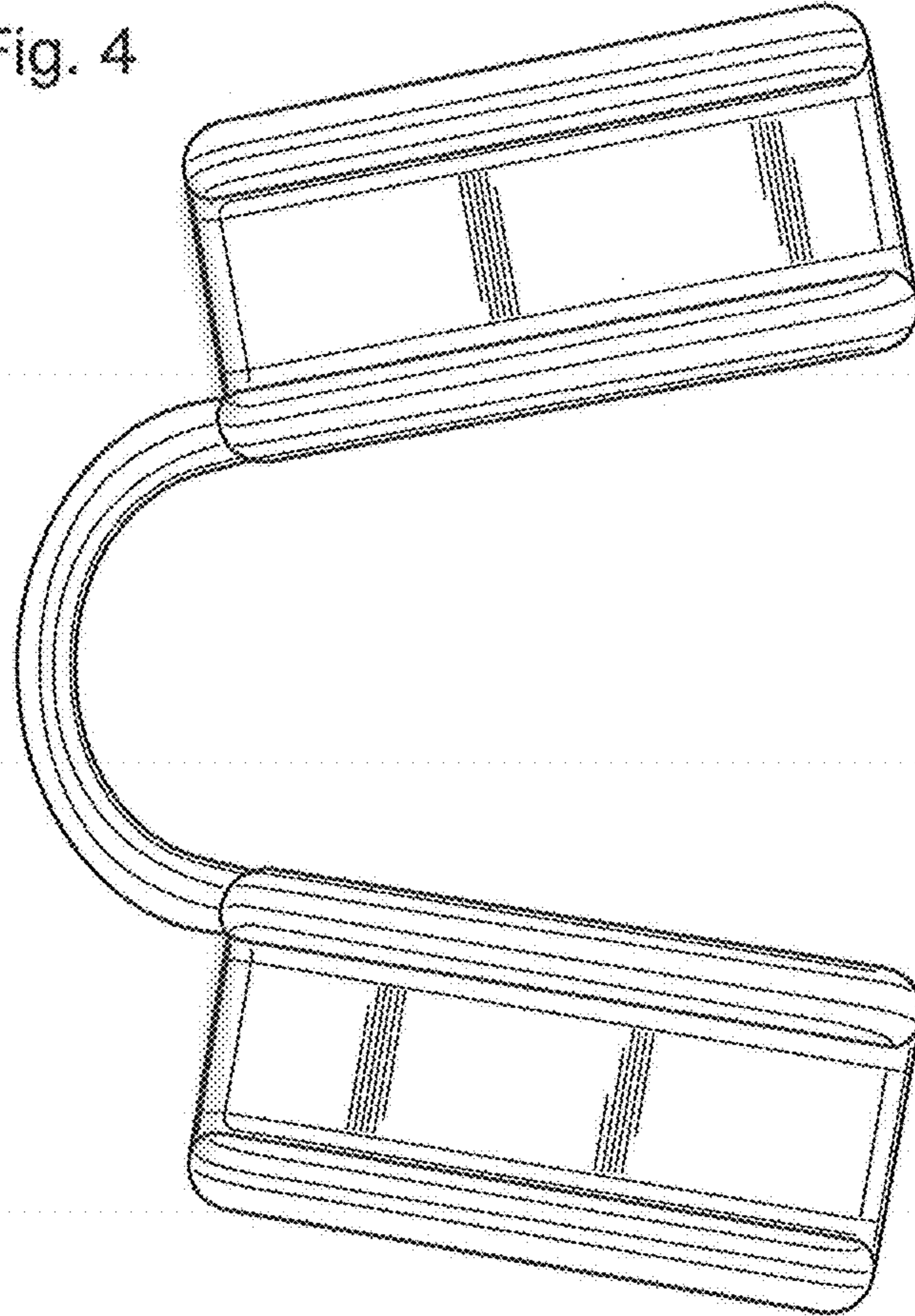


Fig. 5

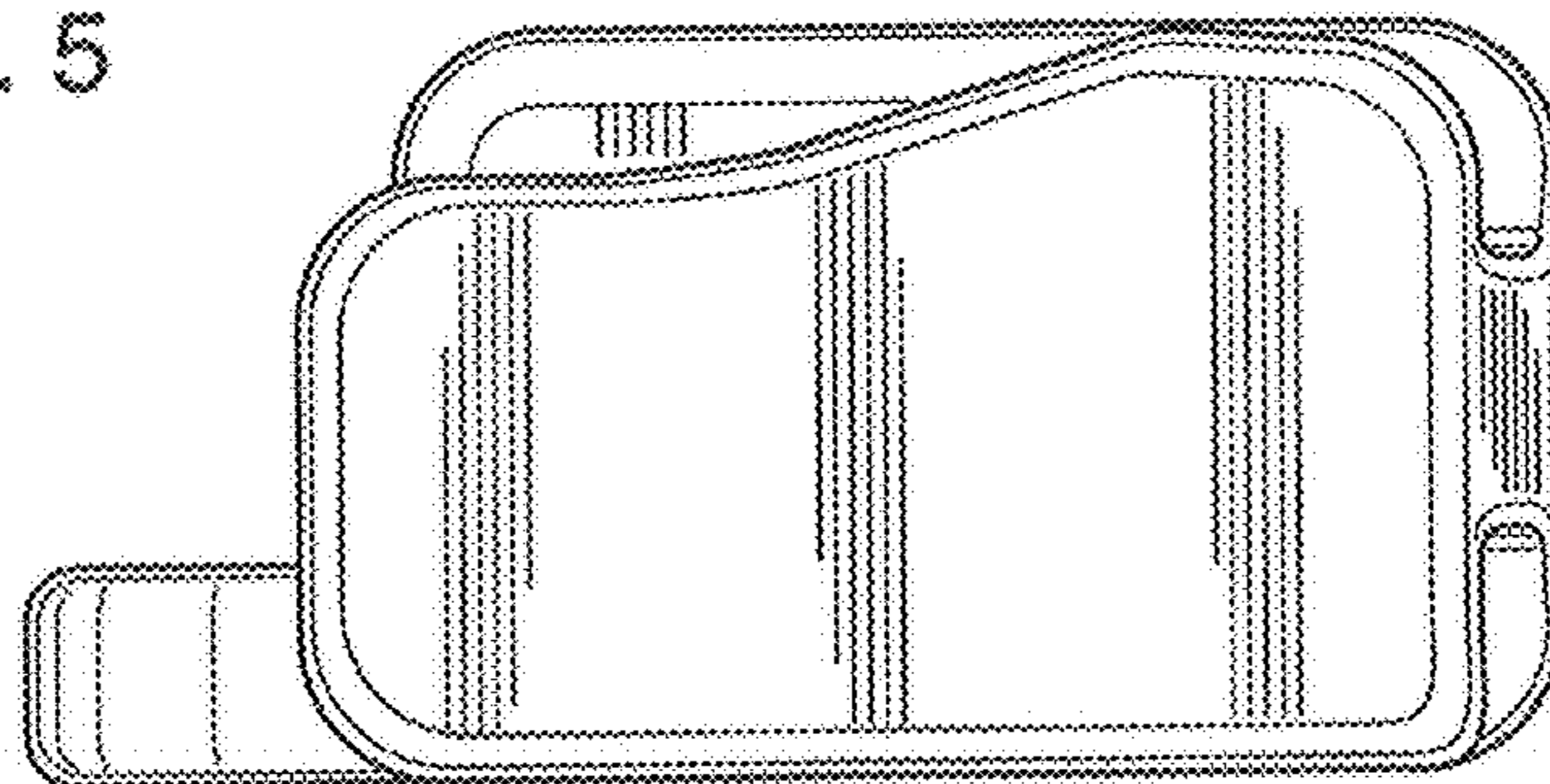


Fig. 6

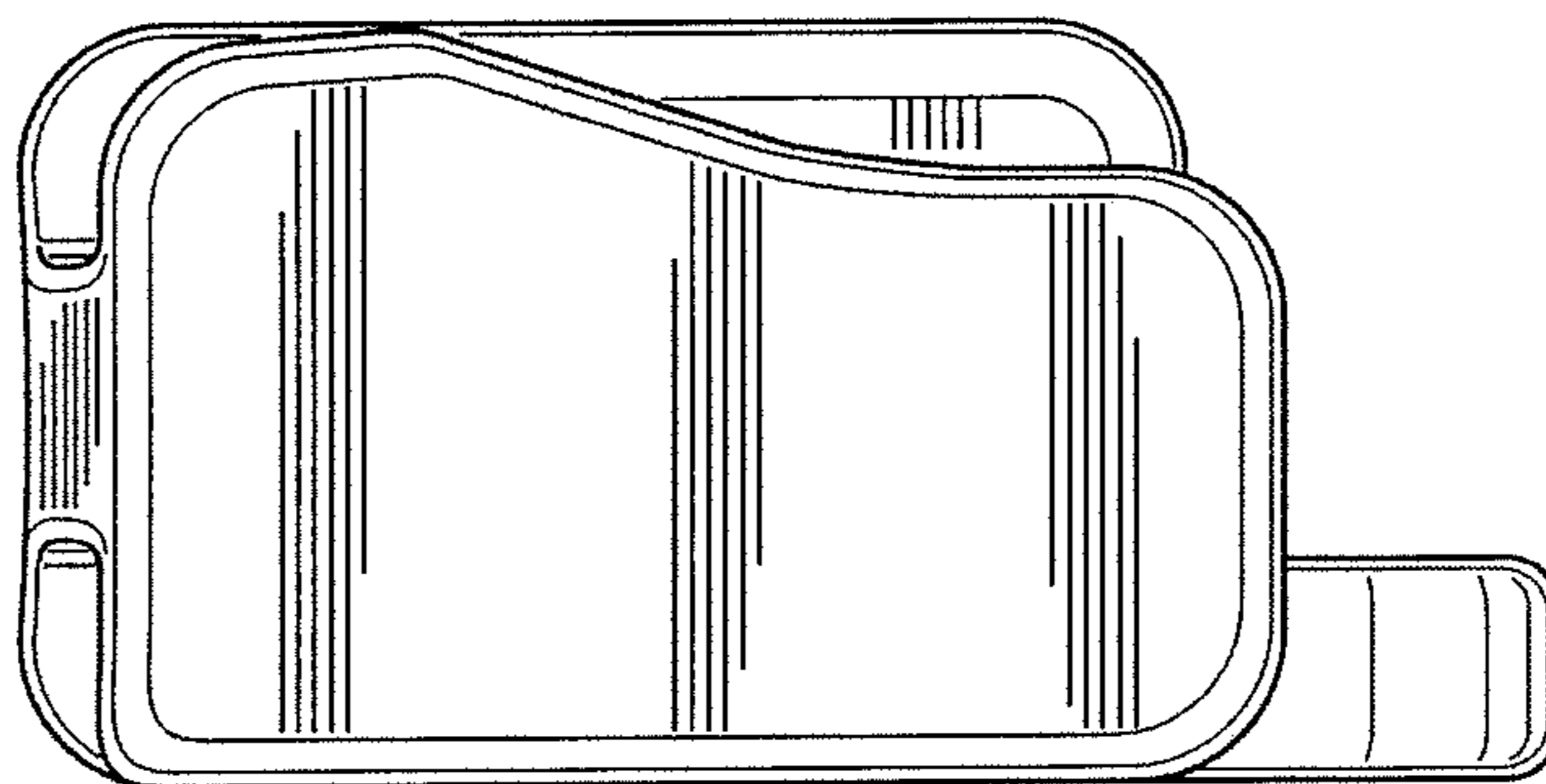


Fig. 7

