



US00D743108S

(12) **United States Design Patent**
Charlton

(10) **Patent No.:** **US D743,108 S**

(45) **Date of Patent:** **** Nov. 10, 2015**

(54) **MOUTH GUARD**

(56) **References Cited**

(71) Applicant: **NEW AGE PERFORMANCE INC.,**
Mississauga (CA)

U.S. PATENT DOCUMENTS

(72) Inventor: **Robert Charlton,** Etobicoke, CA (US)

2,966,908	A *	1/1961	Cathcart et al.	128/861
3,223,085	A *	12/1965	Gores et al.	128/861
3,236,235	A *	2/1966	Jacobs	128/862
3,312,218	A *	4/1967	Jacobs	128/862
3,333,582	A *	8/1967	Cathcart	128/862
3,496,936	A *	2/1970	Gores	128/861
3,505,995	A *	4/1970	Greenberg	128/862
D382,965	S *	8/1997	Wagner	D29/108
6,280,196	B1 *	8/2001	Berghash	433/215
6,491,036	B2 *	12/2002	Cook	128/859
D492,785	S *	7/2004	Garabito	D24/181
6,830,051	B1 *	12/2004	Lesniak et al.	128/859
8,116,854	B2 *	2/2012	Hart et al.	600/476
D710,506	S *	8/2014	Tolentino et al.	D24/181
D727,571	S *	4/2015	Brett et al.	D29/108
2007/0254256	A1 *	11/2007	Farrell	433/6
2008/0050693	A1 *	2/2008	Fischer et al.	433/25

(73) Assignee: **NEW AGE PERFORMANCE INC.,**
Mississauga (CA)

(**) Term: **14 Years**

(21) Appl. No.: **29/504,867**

(22) Filed: **Oct. 10, 2014**

(30) **Foreign Application Priority Data**

Apr. 11, 2014 (CA) 156096

(51) **LOC (10) Cl.** **29-02**

(52) **U.S. Cl.**
USPC **D29/108**

(58) **Field of Classification Search**
USPC D29/100, 105, 106, 108, 122;
D24/108-110.5, 156, 176, 181;
128/859, 860, 861, 862, 857, 846, 848;
602/902; 433/6, 18, 24, 168.1; 2/9,
2/424, 425; D21/812
CPC A61F 5/566; A61F 5/58; A63B 71/08;
A63B 71/081; A63B 71/085; A63B 2071/085;
A63B 2071/088; A61C 7/10; A61C 13/08;
A61C 13/081; A61C 13/083; A61C 13/087;
A61C 19/066; A61C 5/14; A61B 13/00;
A61B 1/24

See application file for complete search history.

* cited by examiner

Primary Examiner — Elizabeth J Oswecki

(57) **CLAIM**

The ornamental design for a mouth guard, as shown and described.

DESCRIPTION

FIG. 1 is a top, rear, side perspective view of a mouth guard, showing my new design;
FIG. 2 is a front elevation view thereof;
FIG. 3 is a rear elevation view thereof;
FIG. 4 is a top plan view thereof;
FIG. 5 is a side elevation view thereof;
FIG. 6 is an opposite side elevation view thereof; and,
FIG. 7 is a bottom plan view thereof.

1 Claim, 4 Drawing Sheets

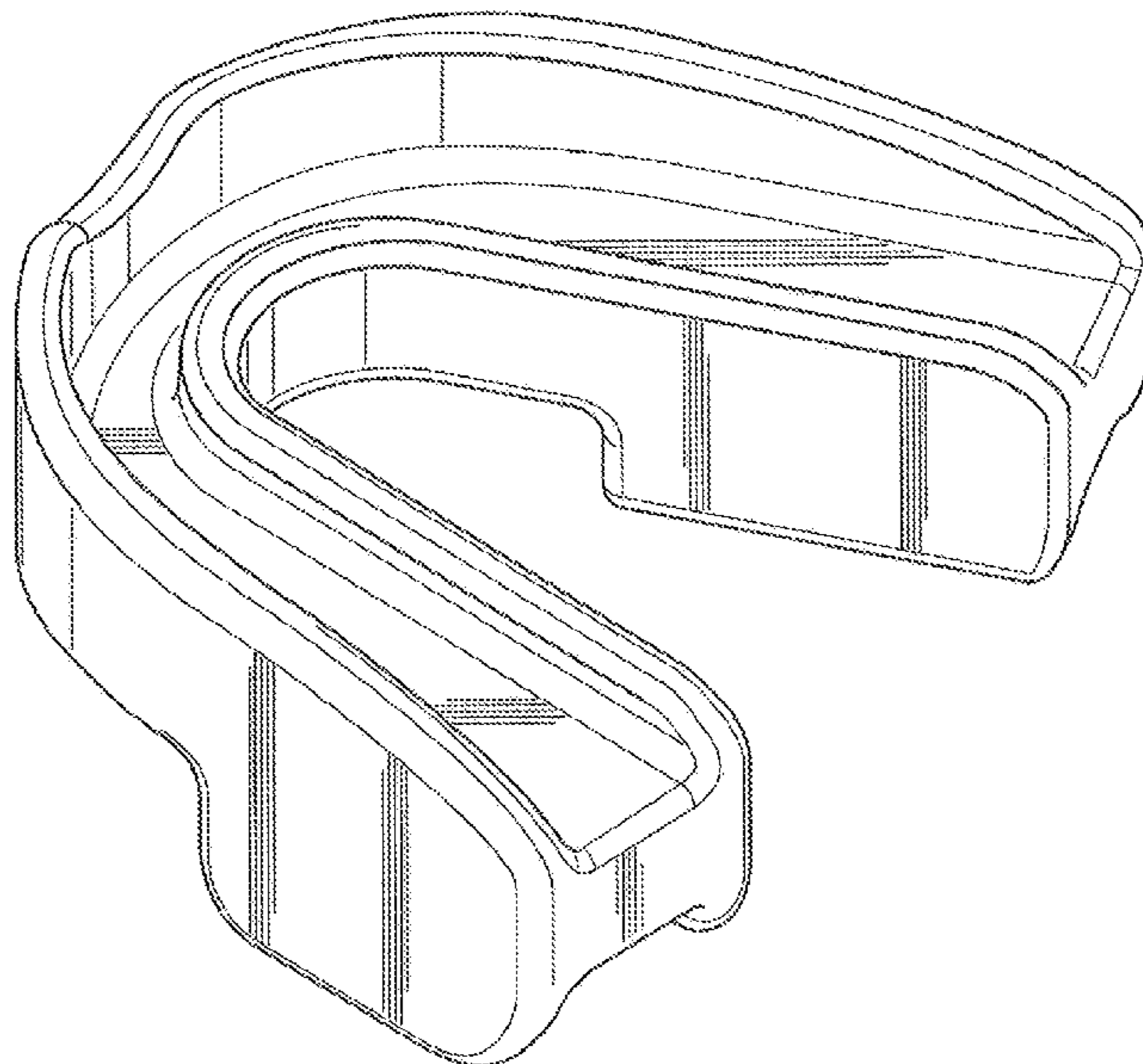


Fig. 1

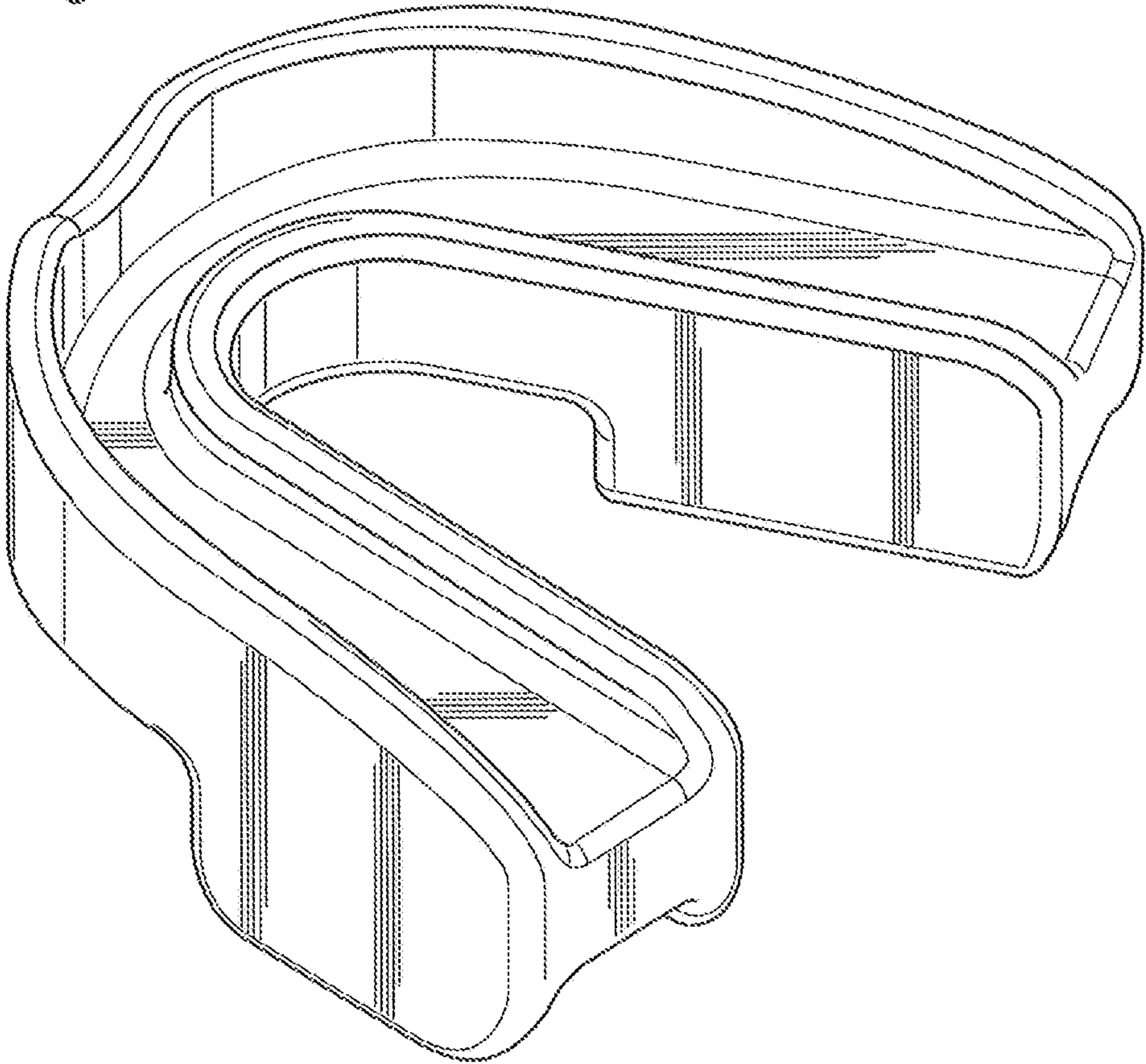


Fig. 2

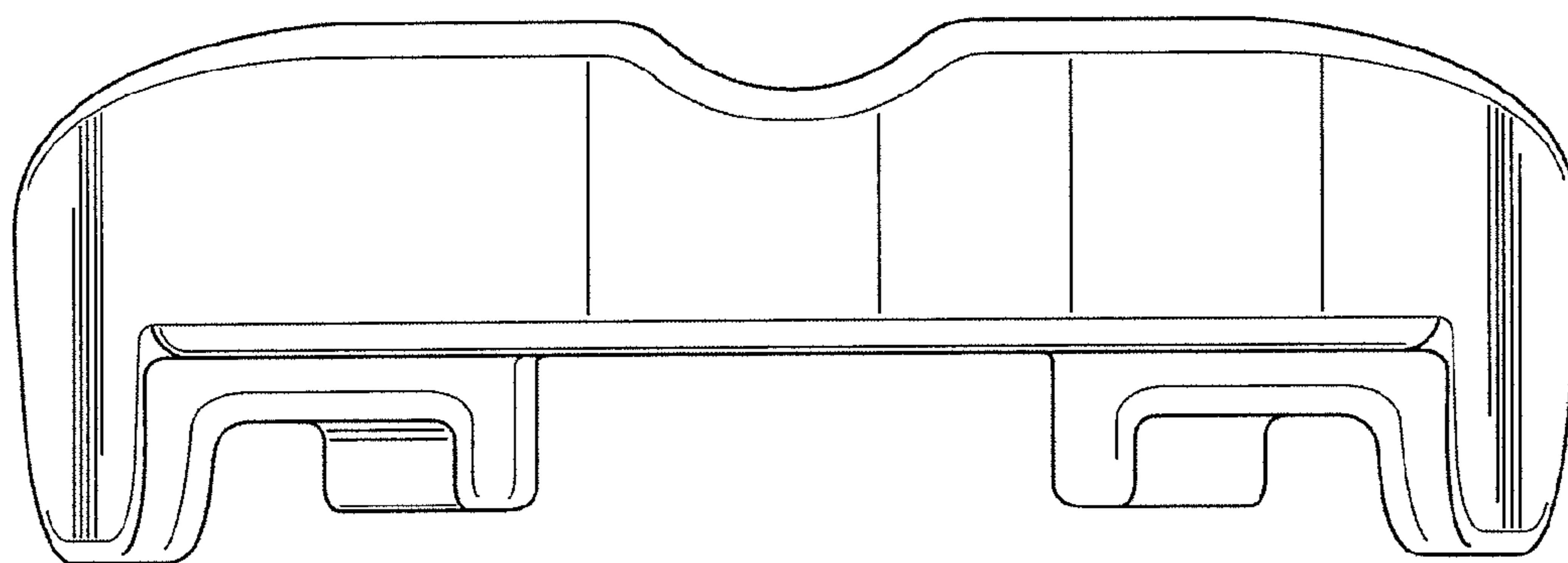


Fig. 3

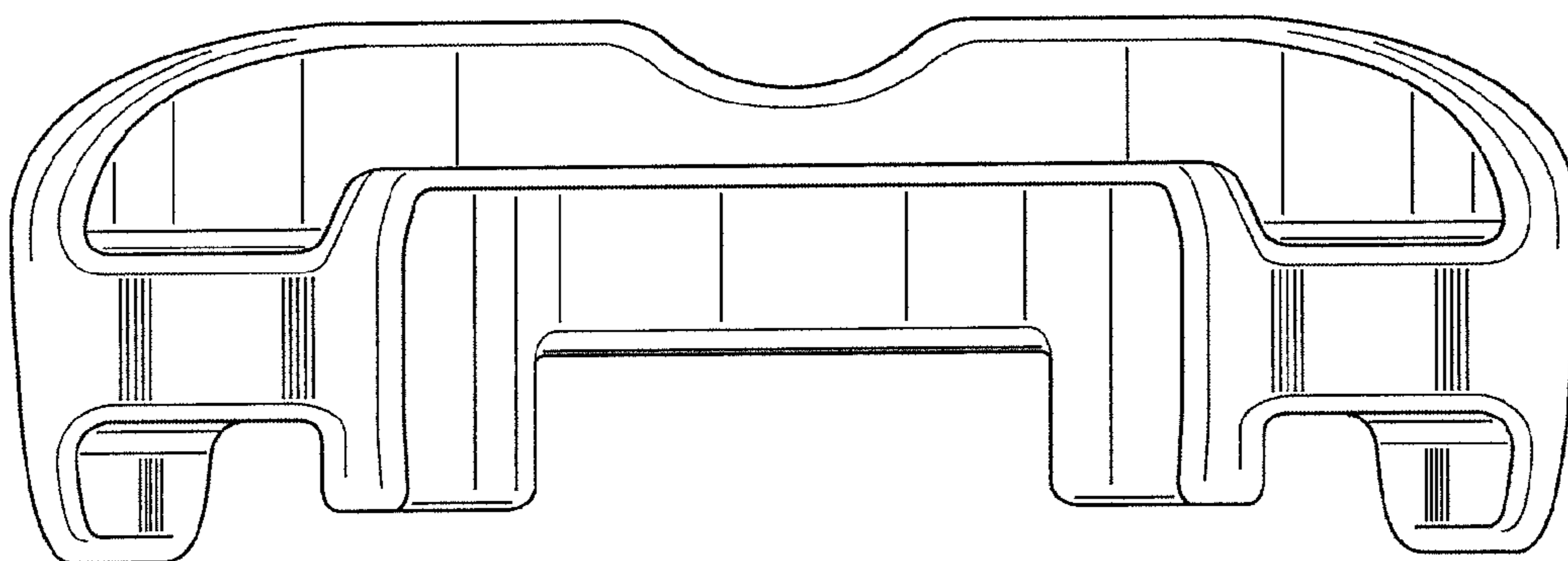


Fig. 4

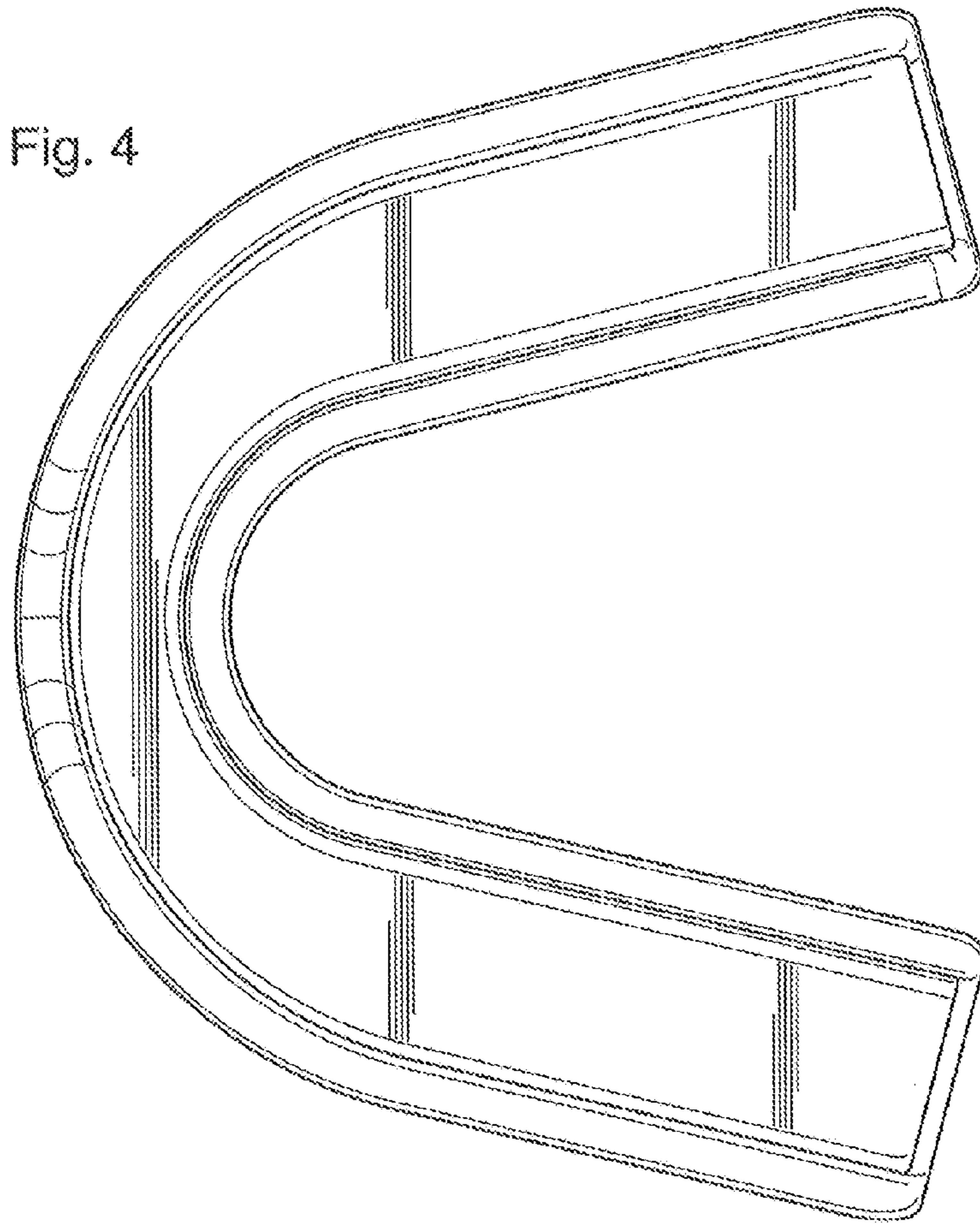


Fig. 5

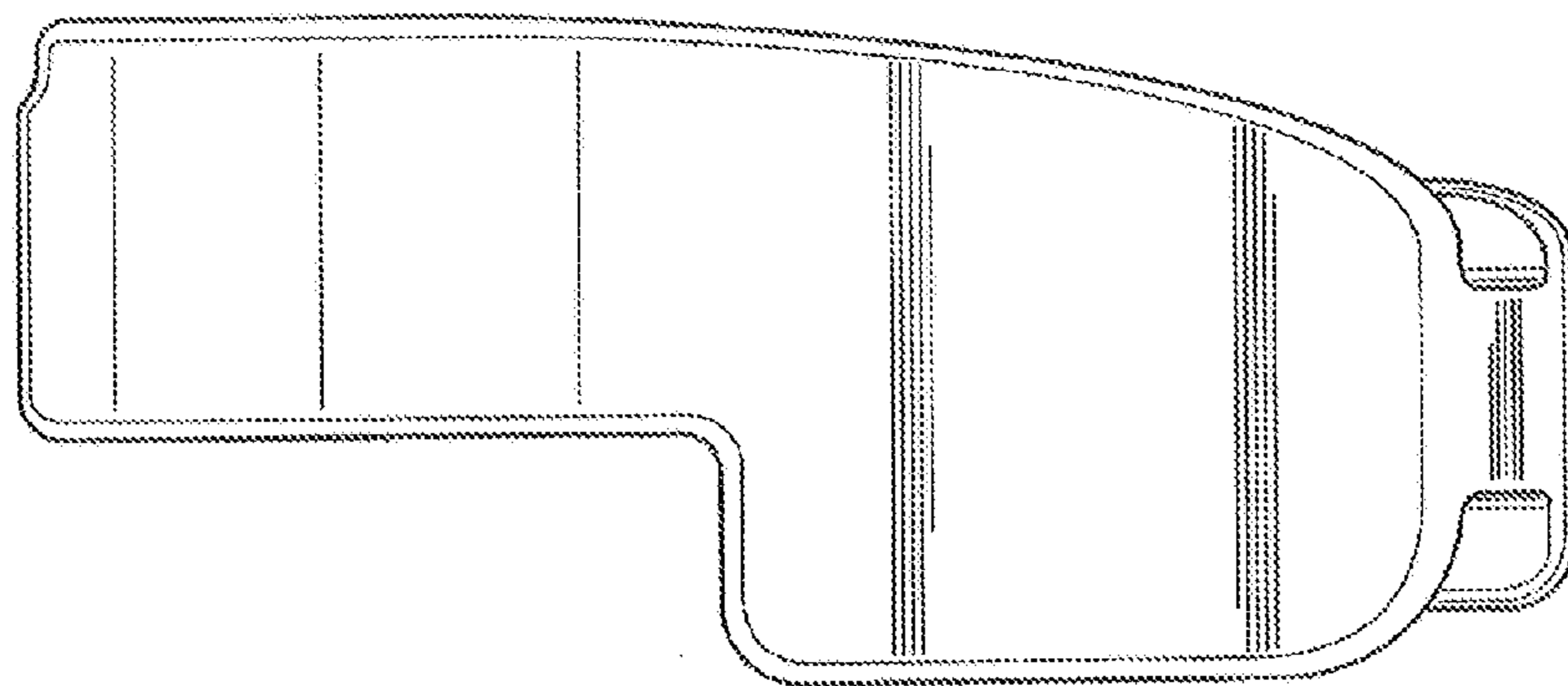


Fig. 6

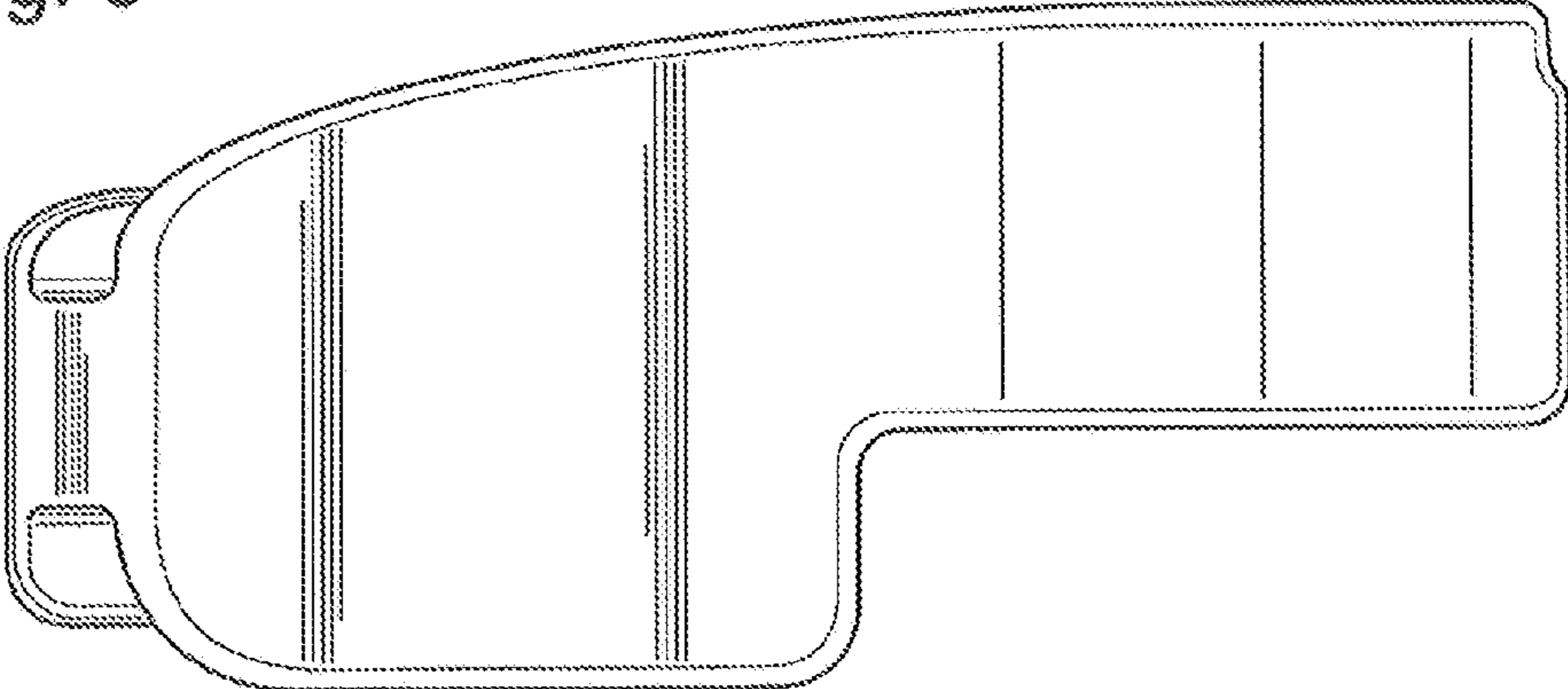


Fig. 7

