



US00D743107S

(12) **United States Design Patent**  
**Hirshberg**

(10) **Patent No.:** **US D743,107 S**

(45) **Date of Patent:** **\*\* Nov. 10, 2015**

(54) **MOUTHGUARD**

(71) Applicant: **Jonathan S. Hirshberg**, Manhattan  
Beach, CA (US)

(72) Inventor: **Jonathan S. Hirshberg**, Manhattan  
Beach, CA (US)

(73) Assignee: **JR286 Technologies, Inc.**, Torrance, CA  
(US)

(\*\*) Term: **14 Years**

(21) Appl. No.: **29/502,114**

(22) Filed: **Sep. 11, 2014**

(51) **LOC (10) Cl.** ..... **29-02**

(52) **U.S. Cl.**  
USPC ..... **D29/108**

(58) **Field of Classification Search**  
USPC ..... D29/100, 105, 106, 108, 122;  
D24/108-110.5, 156, 176, 181;  
128/859, 860, 861, 862, 857, 846, 848;  
602/902; 433/6, 18, 24, 168.1; 2/9,  
2/424, 425; D21/812  
CPC ..... A61F 5/566; A61F 5/58; A63B 71/08;  
A63B 71/081; A63B 71/085; A63B 2071/085;  
A63B 2071/088; A61C 7/10; A61C 13/08;  
A61C 13/081; A61C 13/083; A61C 13/087;  
A61C 19/066; A61C 5/14; A61B 13/00;  
A61B 1/24

See application file for complete search history.

(56) **References Cited**

U.S. PATENT DOCUMENTS

D493,578	S	*	7/2004	Manzo et al.	.....	D29/108
D526,093	S	*	8/2006	Manzo et al.	.....	D29/108
7,404,403	B2	*	7/2008	Farrell	.....	128/859
D593,714	S	*	6/2009	Hirshberg	.....	D29/108
D603,101	S	*	10/2009	Hirshberg	.....	D29/108
D626,292	S	*	10/2010	Farrell	.....	D29/108
D627,107	S	*	11/2010	Manzo et al.	.....	D29/108
D631,550	S	*	1/2011	Massad	.....	D24/181
D632,395	S	*	2/2011	Massad	.....	D24/181
D648,900	S	*	11/2011	Manzo	.....	D29/108
D652,575	S	*	1/2012	Farrell	.....	D29/108
D652,576	S	*	1/2012	Farrell	.....	D29/108
D658,813	S	*	5/2012	Manzo	.....	D29/108
2003/0019497	A1	*	1/2003	Farrell	.....	128/861
2010/0051038	A1	*	3/2010	Quigless	.....	128/861

\* cited by examiner

*Primary Examiner* — Elizabeth J Oswecki

(74) *Attorney, Agent, or Firm* — Thomas I. Rozsa

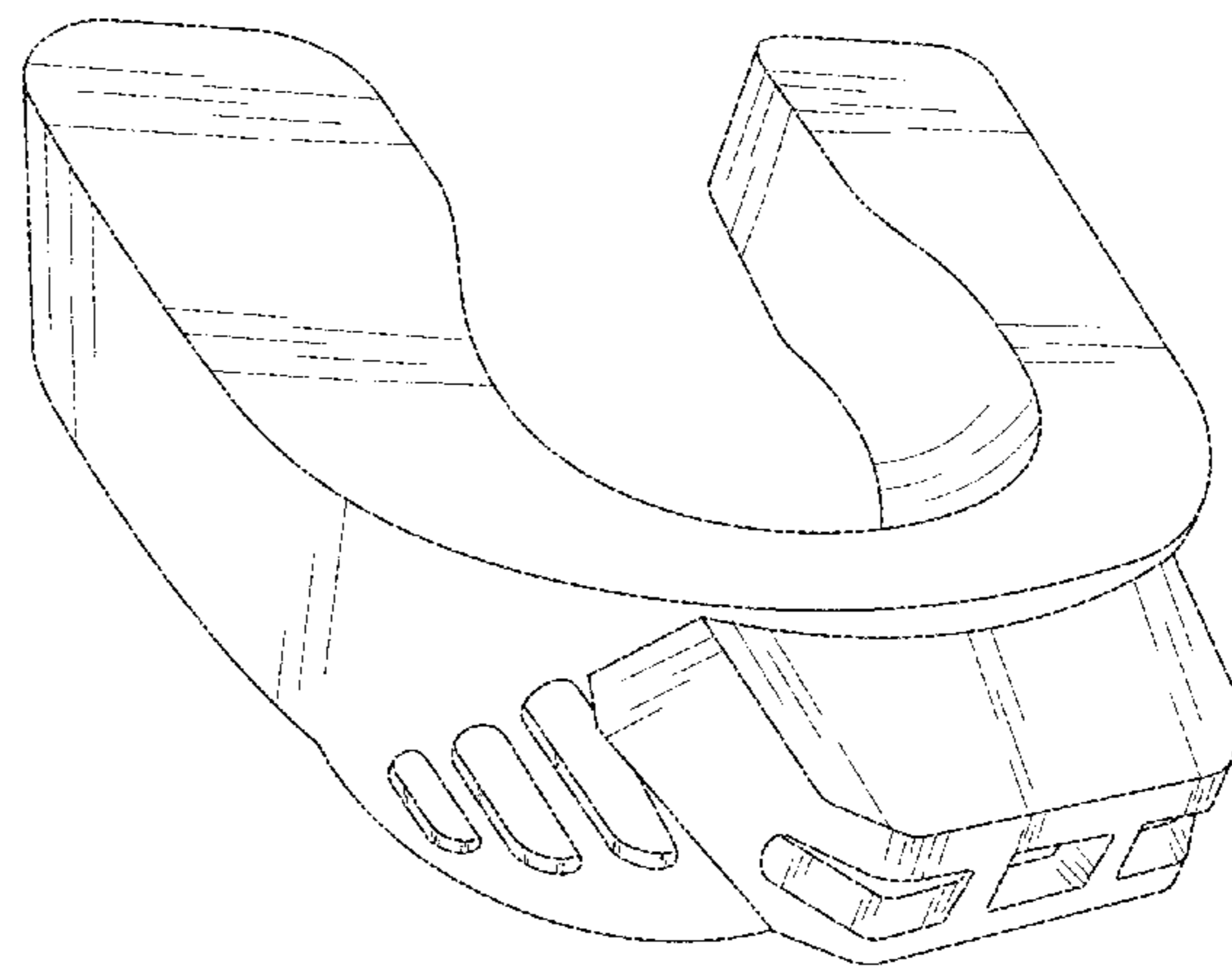
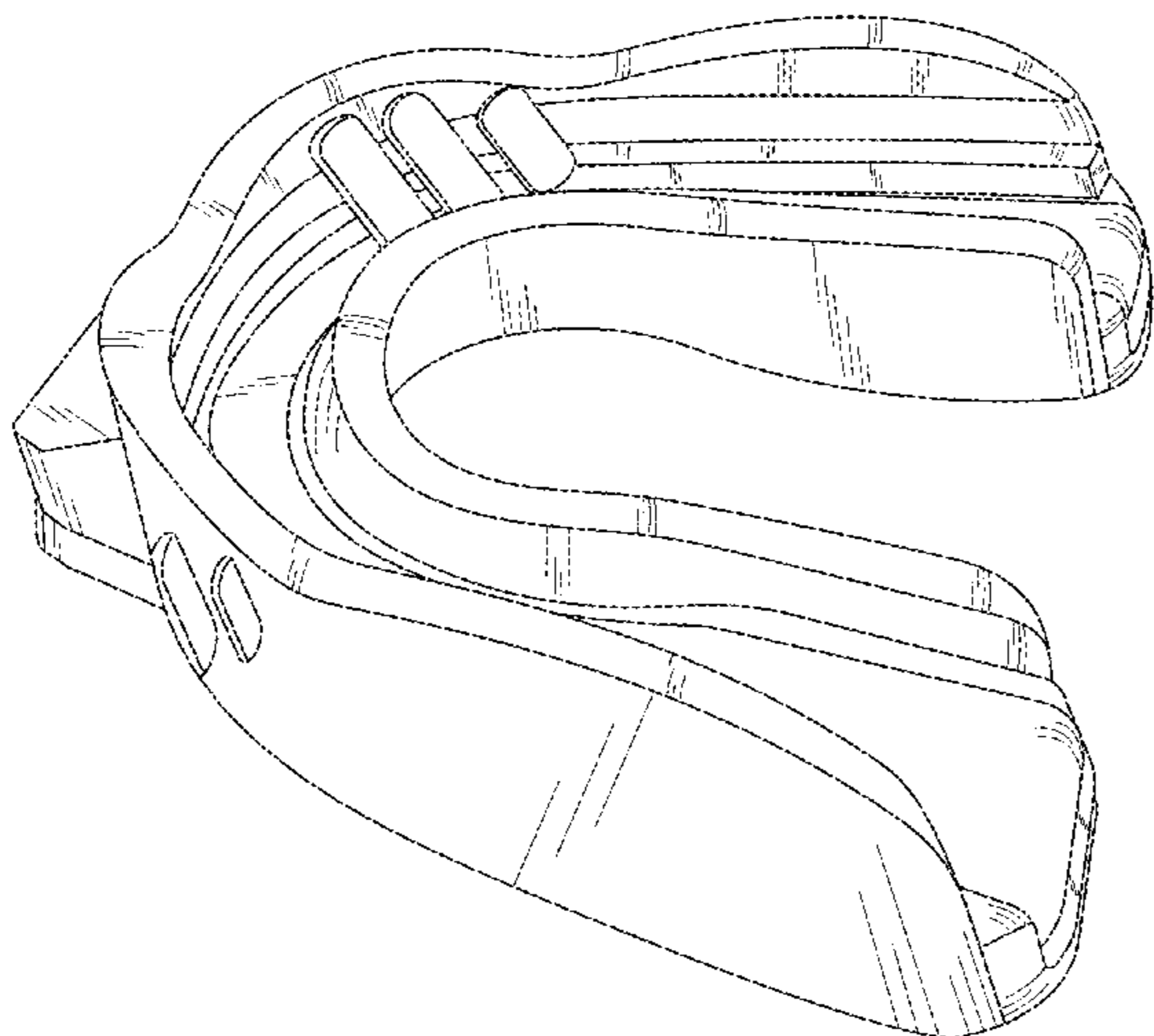
(57) **CLAIM**

The ornamental design for a mouthguard, as shown and described.

**DESCRIPTION**

FIG. 1 is a top perspective view of a mouthguard, showing my new design;  
FIG. 2 is a bottom perspective view thereof;  
FIG. 3 is a top plan view thereof;  
FIG. 4 is a bottom plan view thereof;  
FIG. 5 is a right side elevational view thereof;  
FIG. 6 is a left side elevational view thereof;  
FIG. 7 is a front elevational view thereof; and,  
FIG. 8 is a rear elevational view thereof.

**1 Claim, 6 Drawing Sheets**



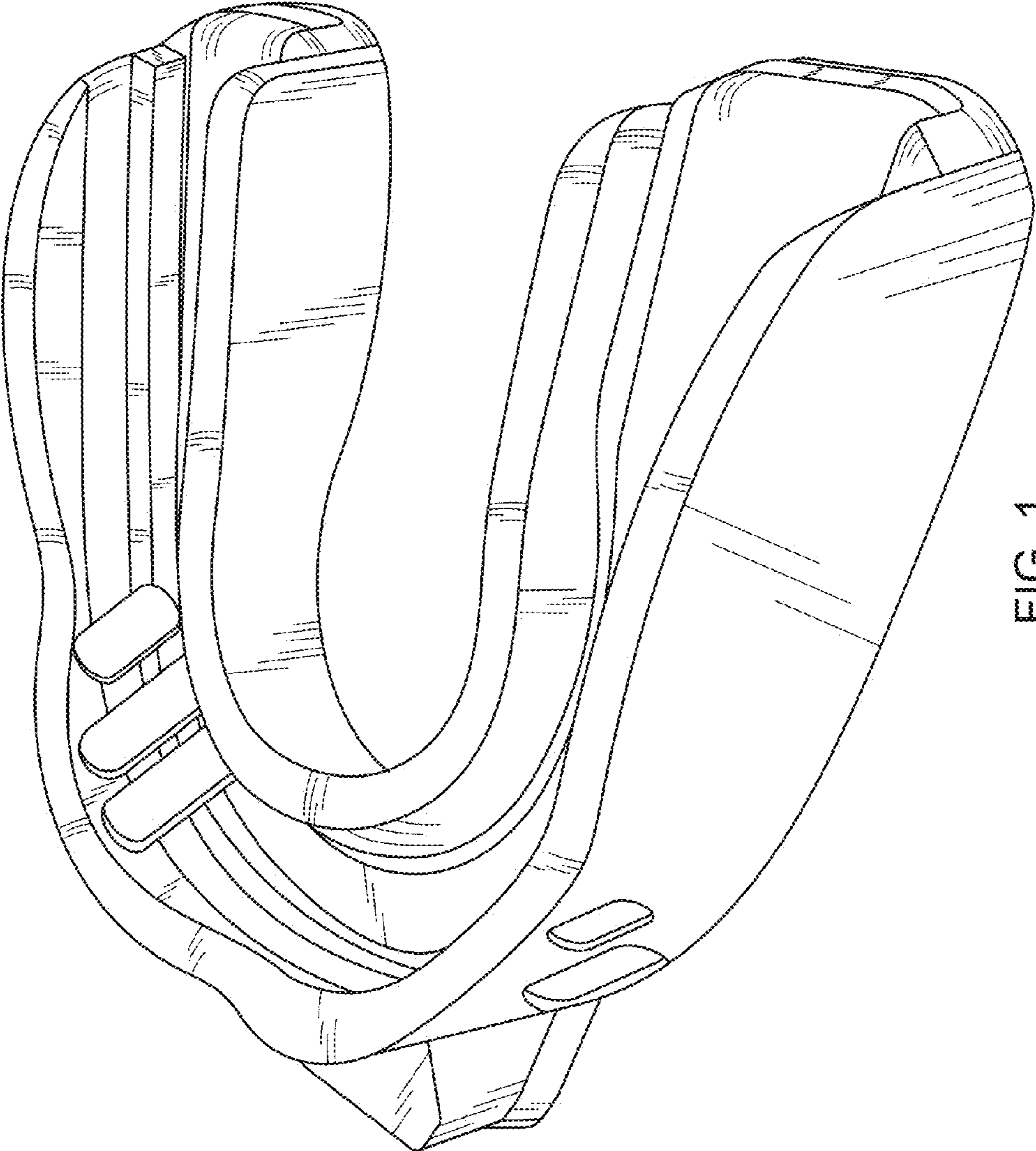


FIG. 1

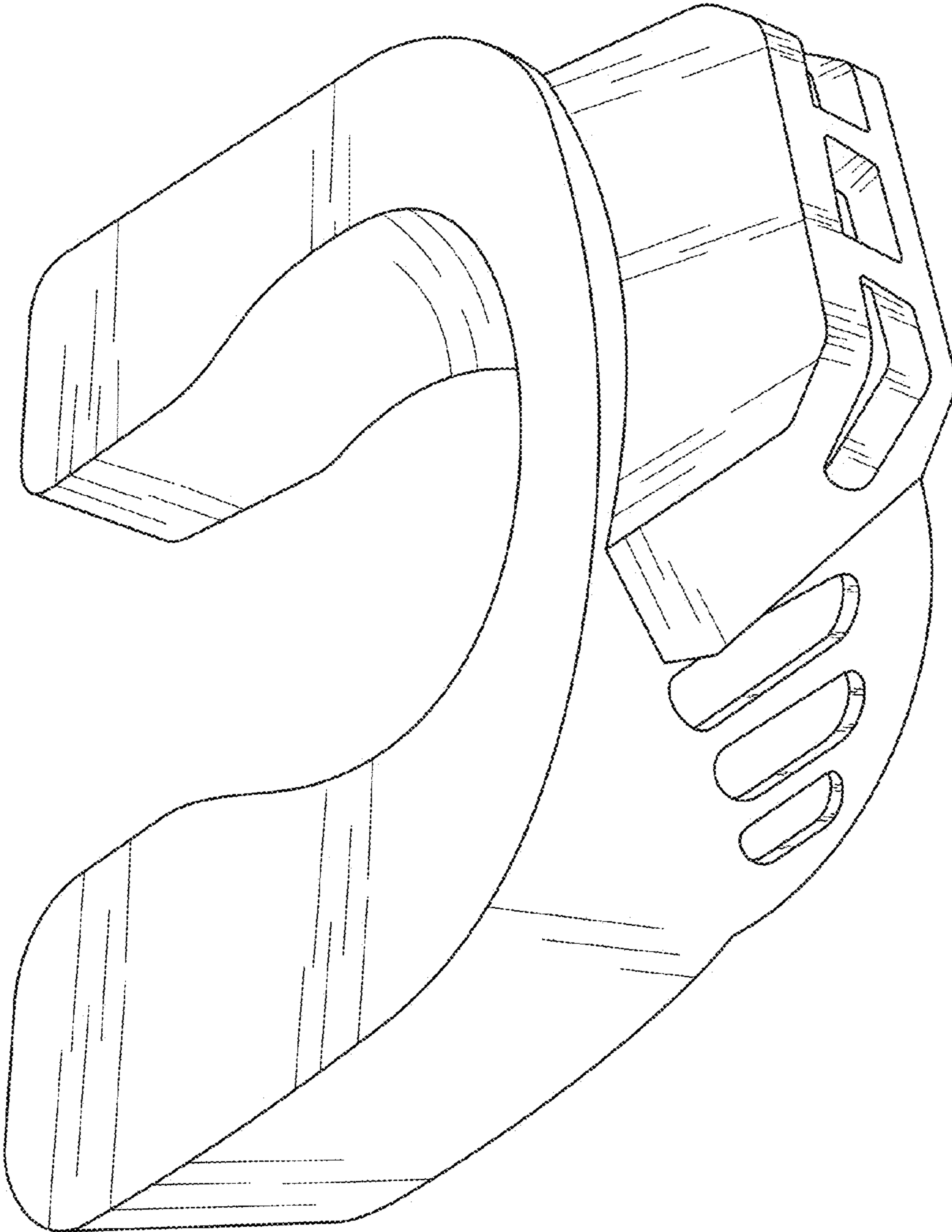


FIG. 2

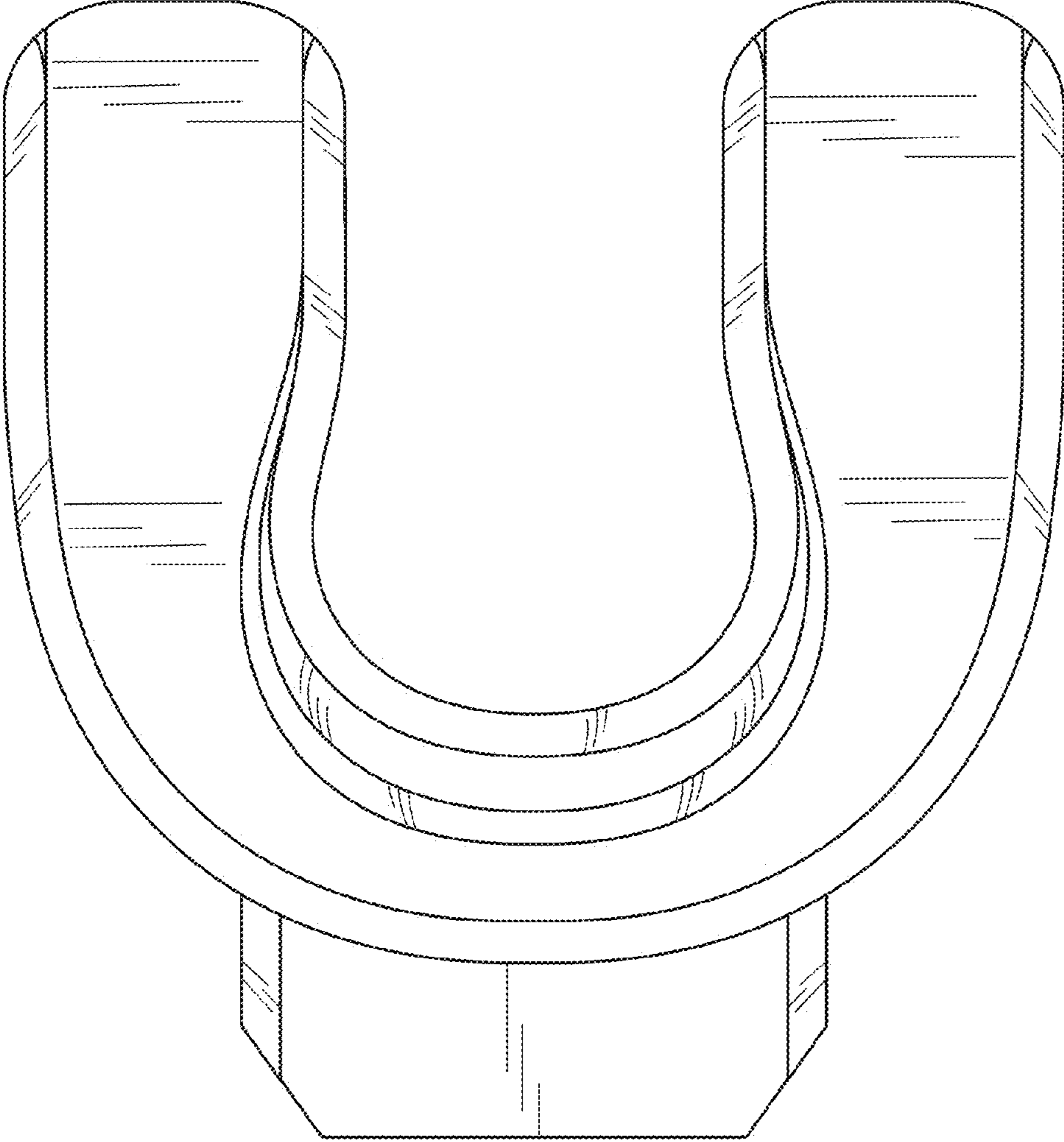


FIG. 3



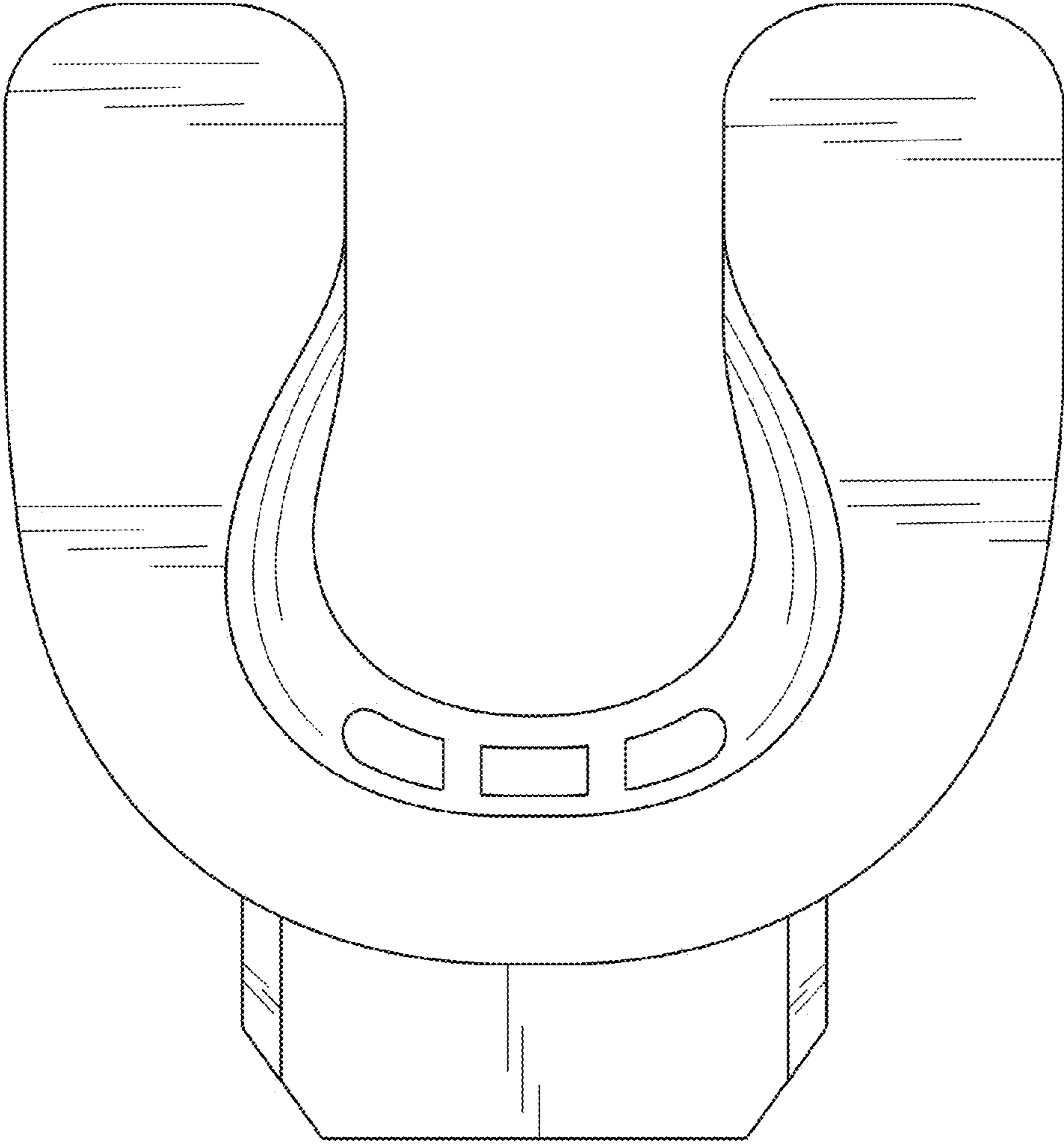


FIG. 4

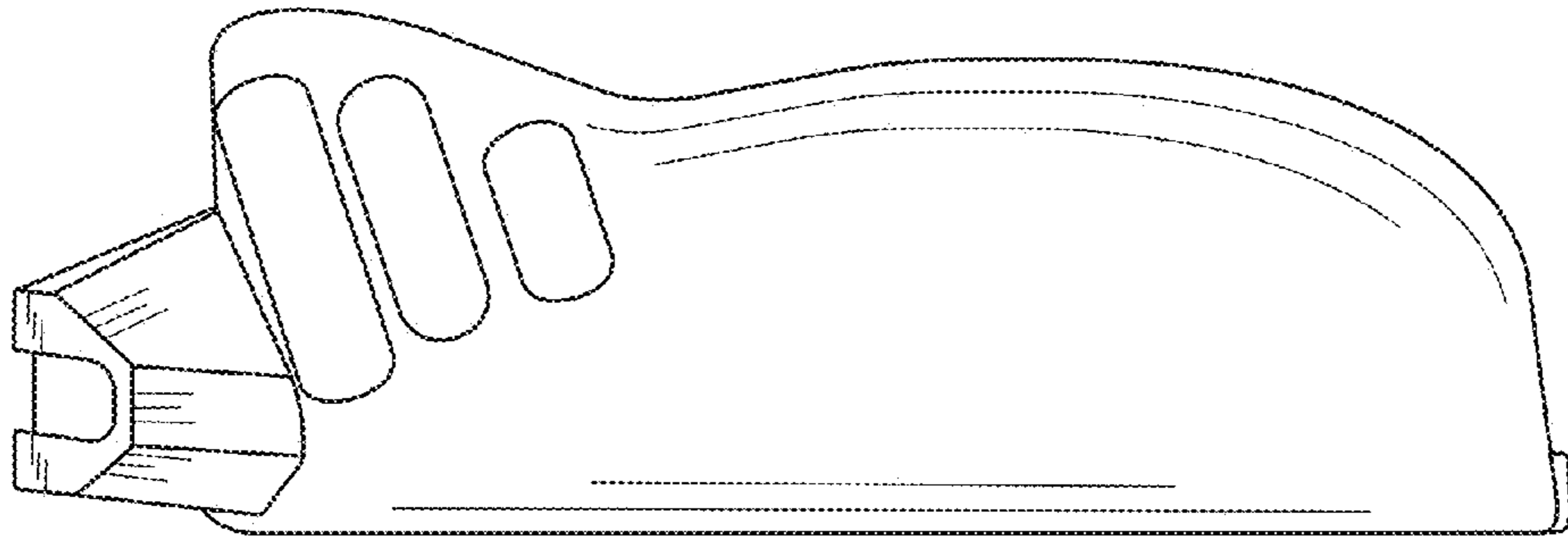


FIG. 5

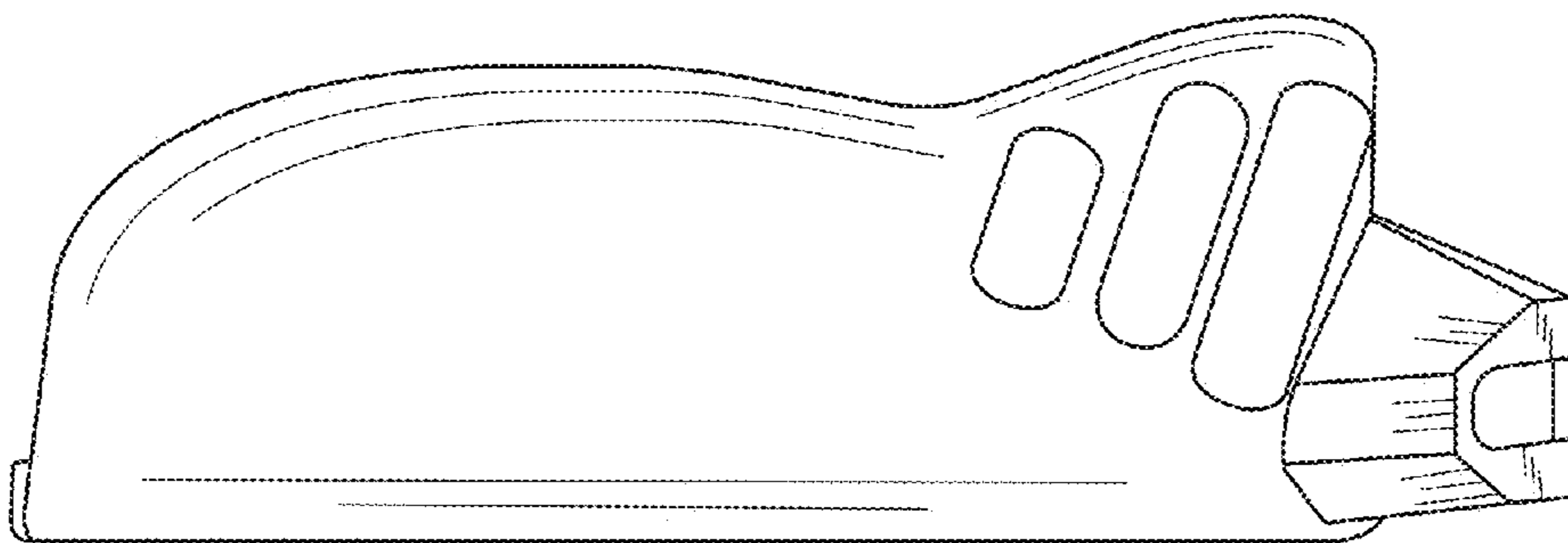


FIG. 6

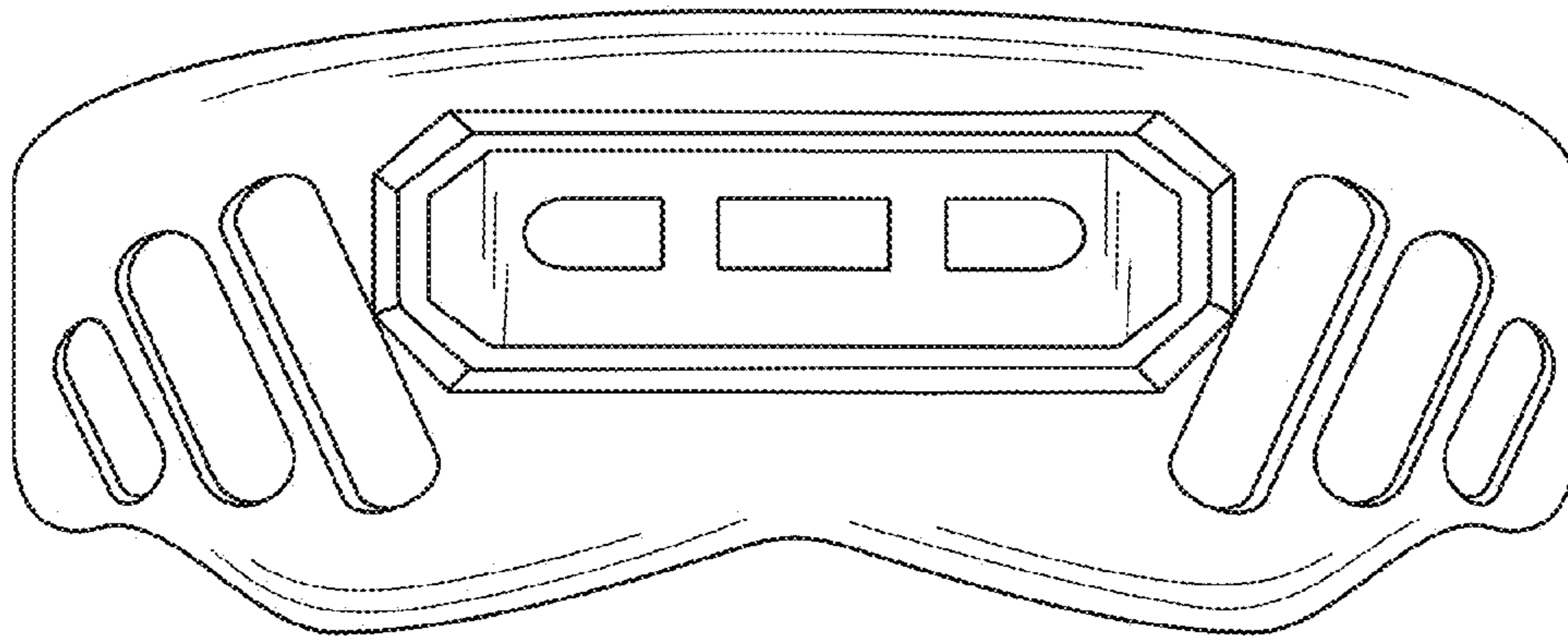


FIG. 7

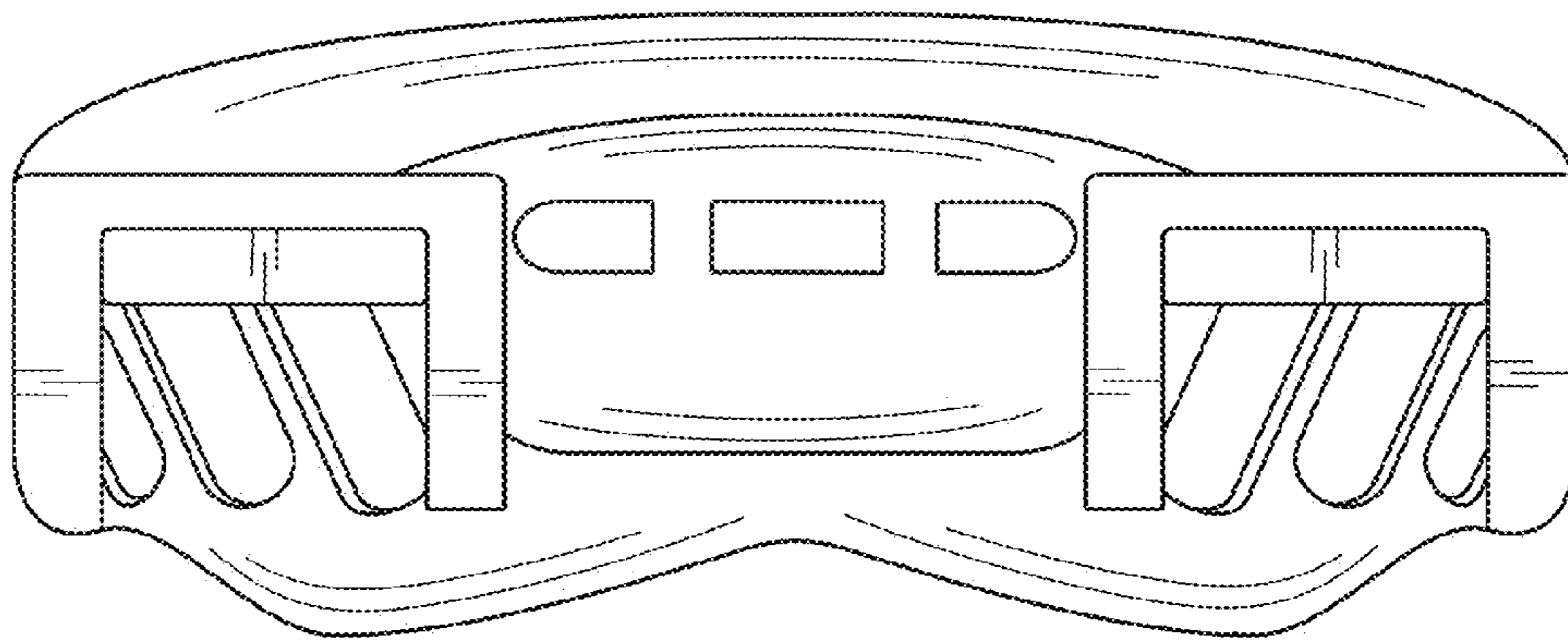


FIG. 8