



US00D743105S

(12) **United States Design Patent**  
**Bien**

(10) **Patent No.:** **US D743,105 S**

(45) **Date of Patent:** **\*\* \*Nov. 10, 2015**

(54) **REFLECTIVE WORK SHIRT OR SIMILAR ARTICLE OF CLOTHING**

(76) Inventor: **Kathleen T. Bien**, Englishtown, NJ (US)

(\*) Notice: This patent is subject to a terminal disclaimer.

(\*\*) Term: **14 Years**

(21) Appl. No.: **29/429,546**

(22) Filed: **Aug. 13, 2012**

(51) **LOC (10) Cl.** ..... **09-03**

(52) **U.S. Cl.**  
USPC ..... **D29/101.1**

(58) **Field of Classification Search**  
USPC ..... D2/717, 840, 841, 844, 847, 849, 830,  
D2/834; 2/106, 115, 116, 456; D29/101.1,  
D29/101.4  
See application file for complete search history.

(56) **References Cited**

**U.S. PATENT DOCUMENTS**

5,297,295	A *	3/1994	Barbeau et al.	2/96
5,993,865	A *	11/1999	Bech et al.	426/16
6,430,754	B1 *	8/2002	Taylor et al.	2/458
6,490,734	B2 *	12/2002	Blauer et al.	2/87

6,735,789	B2 *	5/2004	Kelleher et al.	2/458
7,117,539	B1 *	10/2006	Baacke	2/102
D531,783	S *	11/2006	Collier	D2/828
D595,481	S *	7/2009	Pressley	D2/841
D633,690	S *	3/2011	Tronvold	D2/828
D639,023	S *	6/2011	Iamartino et al.	D2/828
D662,282	S *	6/2012	Meunier-Bouchard	D2/828
D679,072	S *	4/2013	Abbevik et al.	D2/828
D703,921	S *	5/2014	Reisler	D2/828

\* cited by examiner

*Primary Examiner* — Randall Gholson

(74) *Attorney, Agent, or Firm* — Lawrence C. Edelman

(57) **CLAIM**

The ornamental design for a reflective work shirt or similar article of clothing, as shown and described.

**DESCRIPTION**

FIG. 1 is a front perspective view of a reflective work shirt or similar article of clothing;  
FIG. 2 is a front elevational view thereof;  
FIG. 3 is a rear elevational view thereof;  
FIG. 4 is a right side elevational view thereof;  
FIG. 5 is a left side elevational view thereof  
FIG. 6 is a top plan view thereof; and,  
FIG. 7 is a bottom plan view thereof.

**1 Claim, 5 Drawing Sheets**

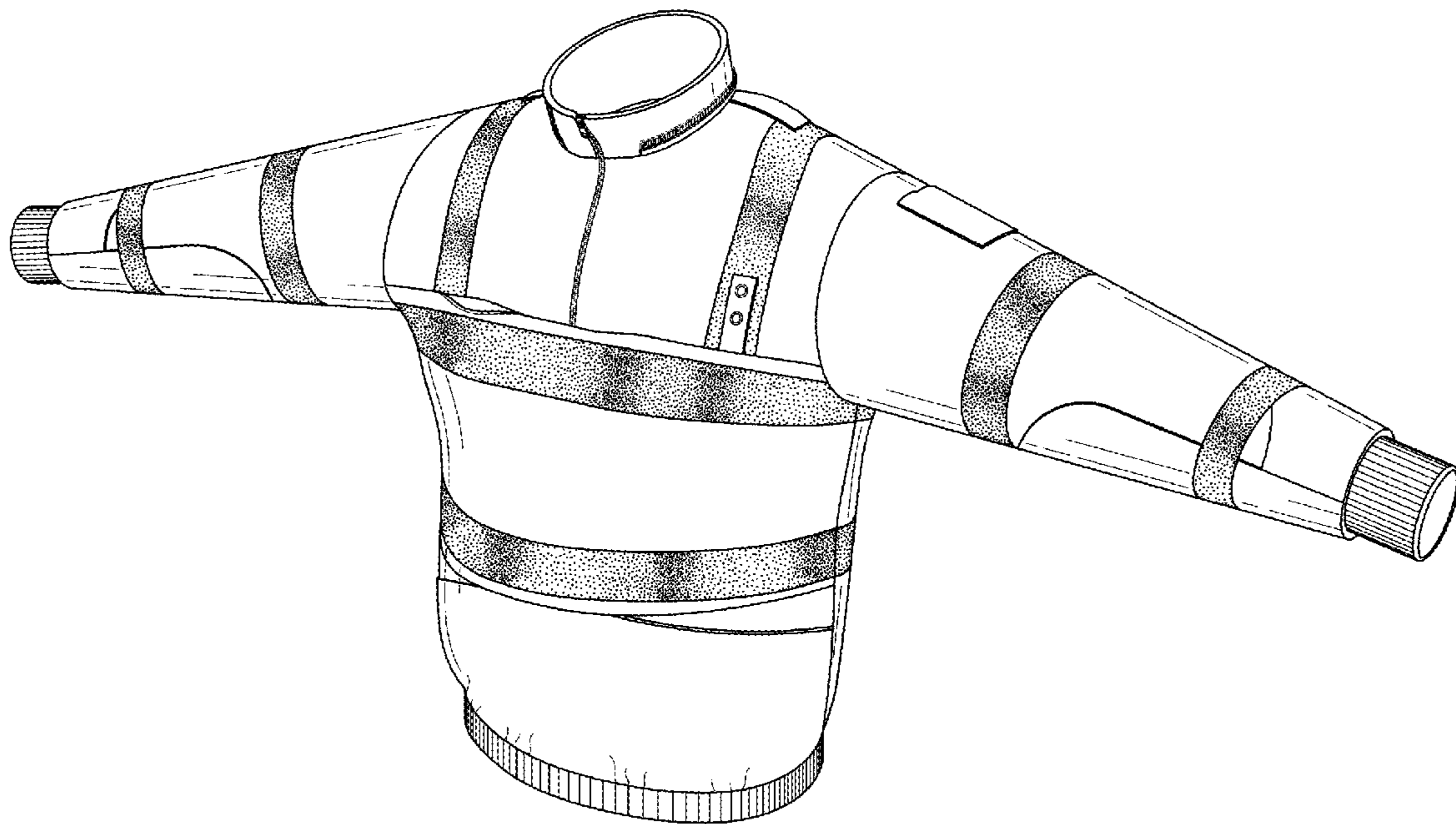


FIG. 1

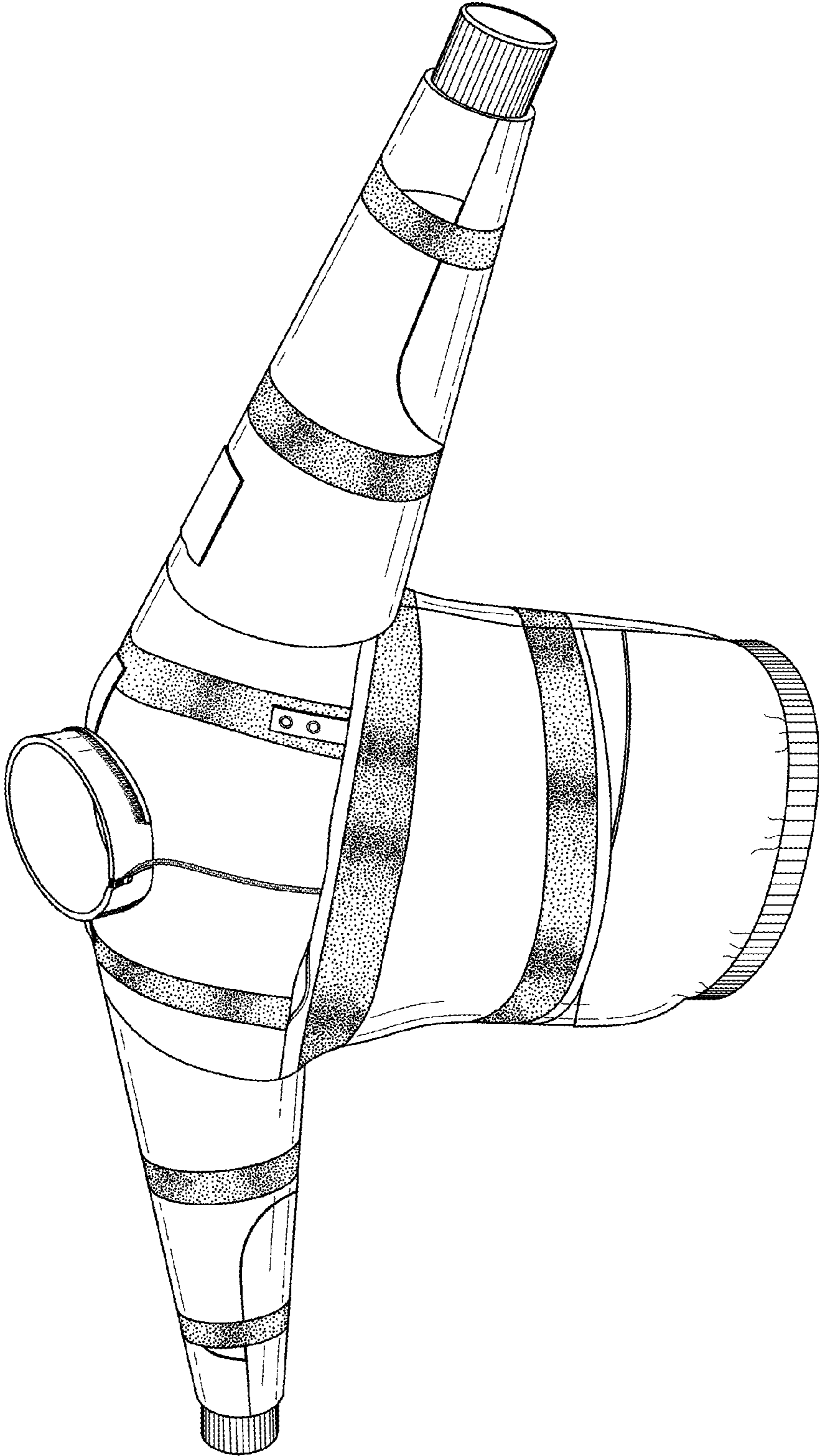


FIG. 2

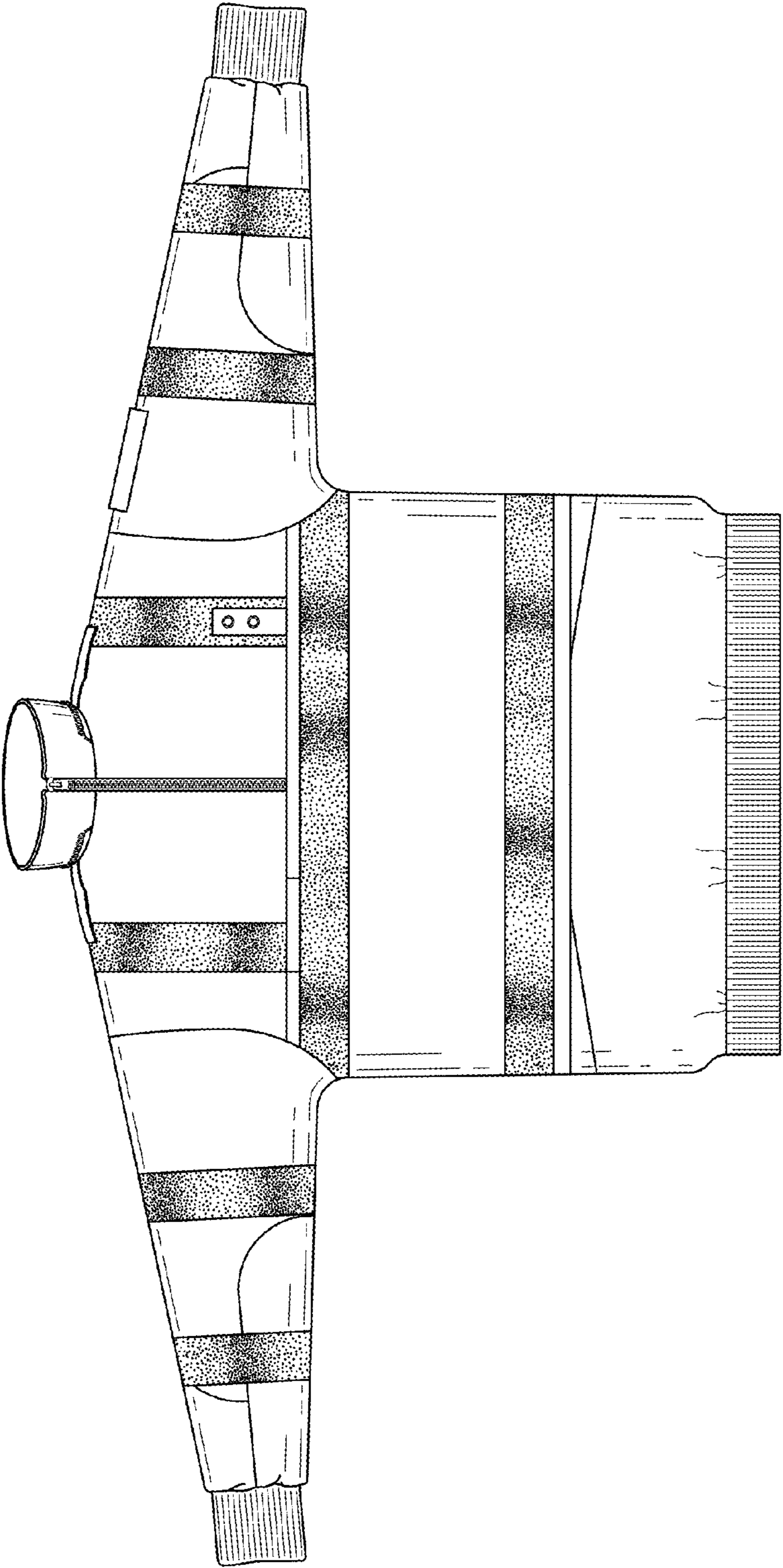


FIG. 3

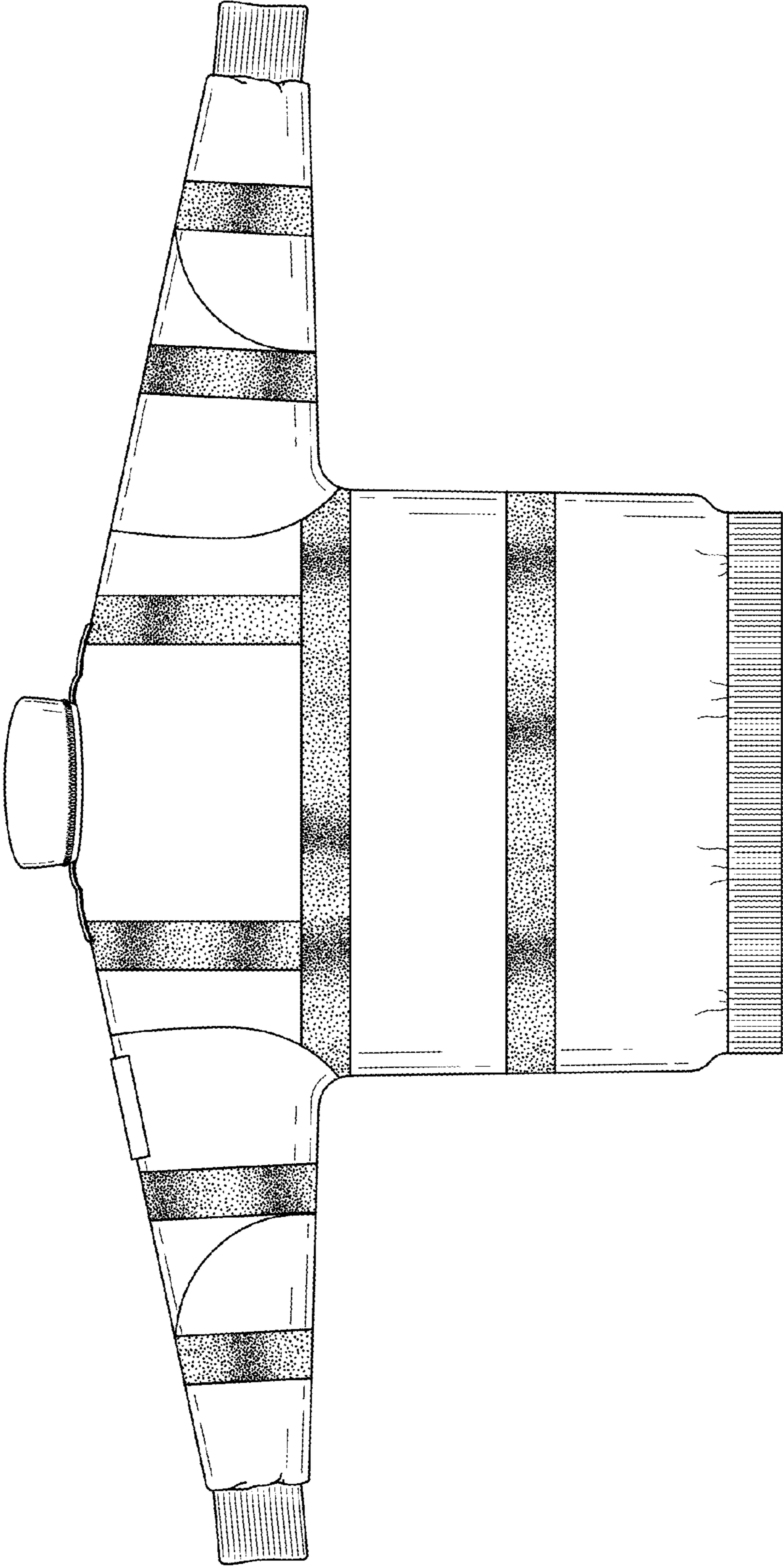


FIG. 4

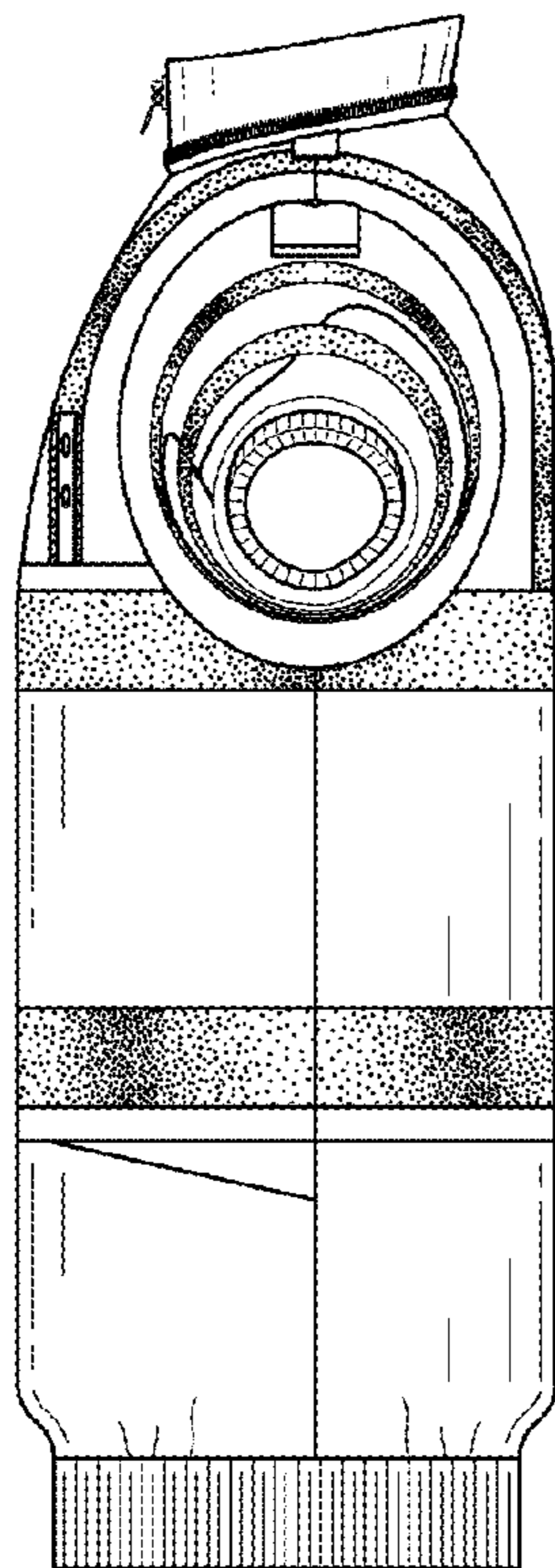


FIG. 5

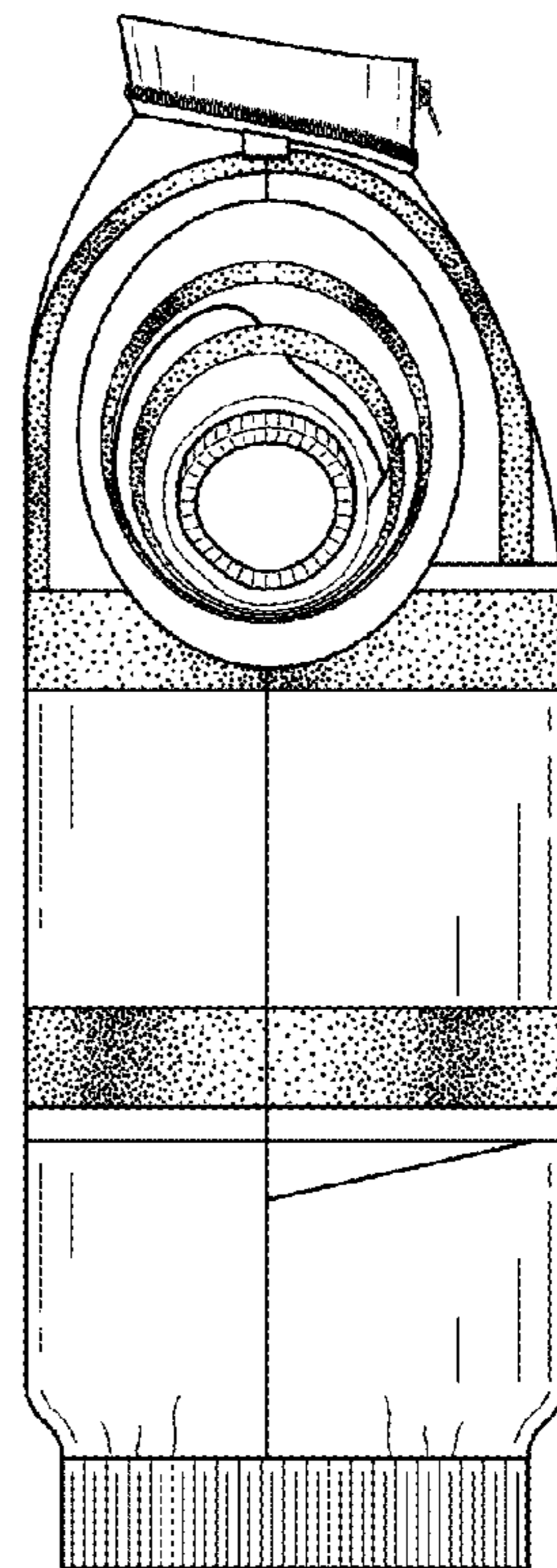


FIG. 6

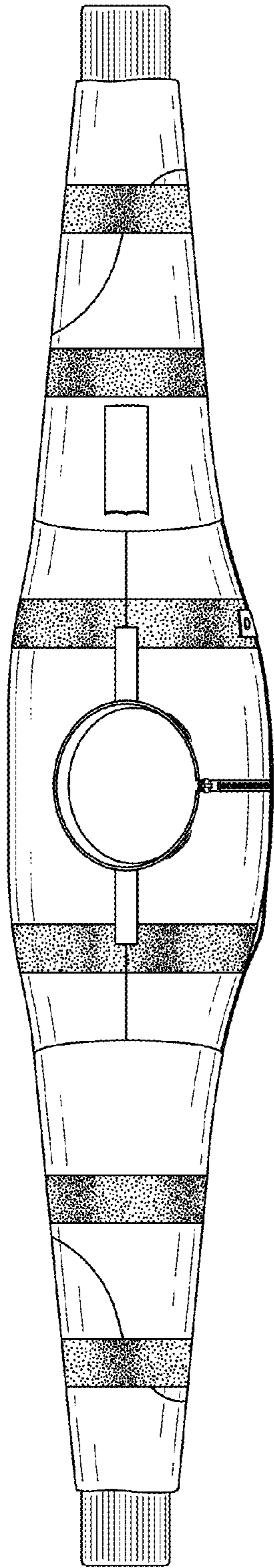


FIG. 7

