



US00D743104S

(12) **United States Design Patent**  
**Kleinman**

(10) **Patent No.:** **US D743,104 S**

(45) **Date of Patent:** **\*\* Nov. 10, 2015**

(54) **HAIR EXTENSION DEVICE**

(71) Applicant: **Michael Kleinman**, Rydal, PA (US)

(72) Inventor: **Michael Kleinman**, Rydal, PA (US)

(\*\*) Term: **14 Years**

(21) Appl. No.: **29/474,453**

(22) Filed: **Sep. 29, 2014**

**Related U.S. Application Data**

(63) Continuation-in-part of application No. 14/120,166, filed on May 1, 2014, now Pat. No. 9,113,669.

(51) **LOC (10) Cl.** ..... **28-04**

(52) **U.S. Cl.**  
USPC ..... **D28/92**

(58) **Field of Classification Search**  
USPC ..... D28/39-43, 92, 93; 132/53-56, 201  
CPC ..... A41G 3/02; A41G 5/00; A41G 5/0006;  
A41G 5/0013; A41G 5/002; A41G 5/0026;  
A41G 5/0033; A41G 5/004; A41G 5/0046

See application file for complete search history.

(56) **References Cited**

U.S. PATENT DOCUMENTS

4,016,888	A *	4/1977	Smiley .....	132/53
5,592,957	A *	1/1997	Gazzerro et al. ....	132/53
6,220,249	B1 *	4/2001	Park .....	132/53
6,935,349	B2 *	8/2005	Nicot et al. ....	132/53
7,735,495	B2 *	6/2010	Lane et al. ....	132/53
D704,891	S *	5/2014	Park et al. ....	D28/92
2001/0013351	A1 *	8/2001	Tang .....	132/53

\* cited by examiner

*Primary Examiner* — Zenia Bennett

(74) *Attorney, Agent, or Firm* — Dan DeLaRosa

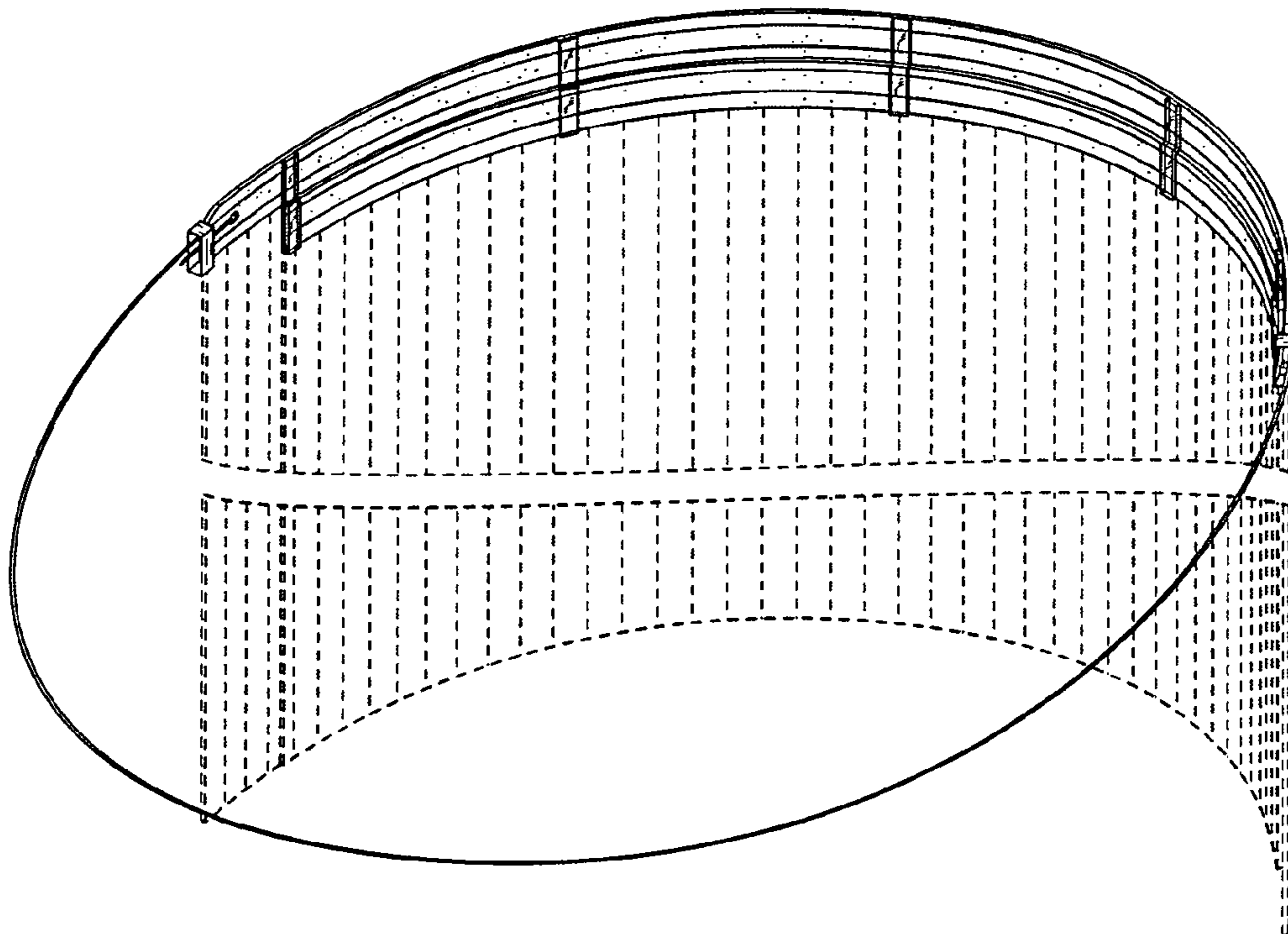
(57) **CLAIM**

The ornamental design for a hair extension device, as shown and described.

**DESCRIPTION**

FIG. 1 is a perspective view of the hair extension device of the present invention showing my new design; FIG. 2 is a front side elevation view thereof; FIG. 3 is a back side elevation view thereof; FIG. 4 is a side elevation view thereof; FIG. 5 is a another side elevation view thereof; FIG. 6 is top plan view thereof; and, FIG. 7 is a bottom plan view thereof.

**1 Claim, 7 Drawing Sheets**



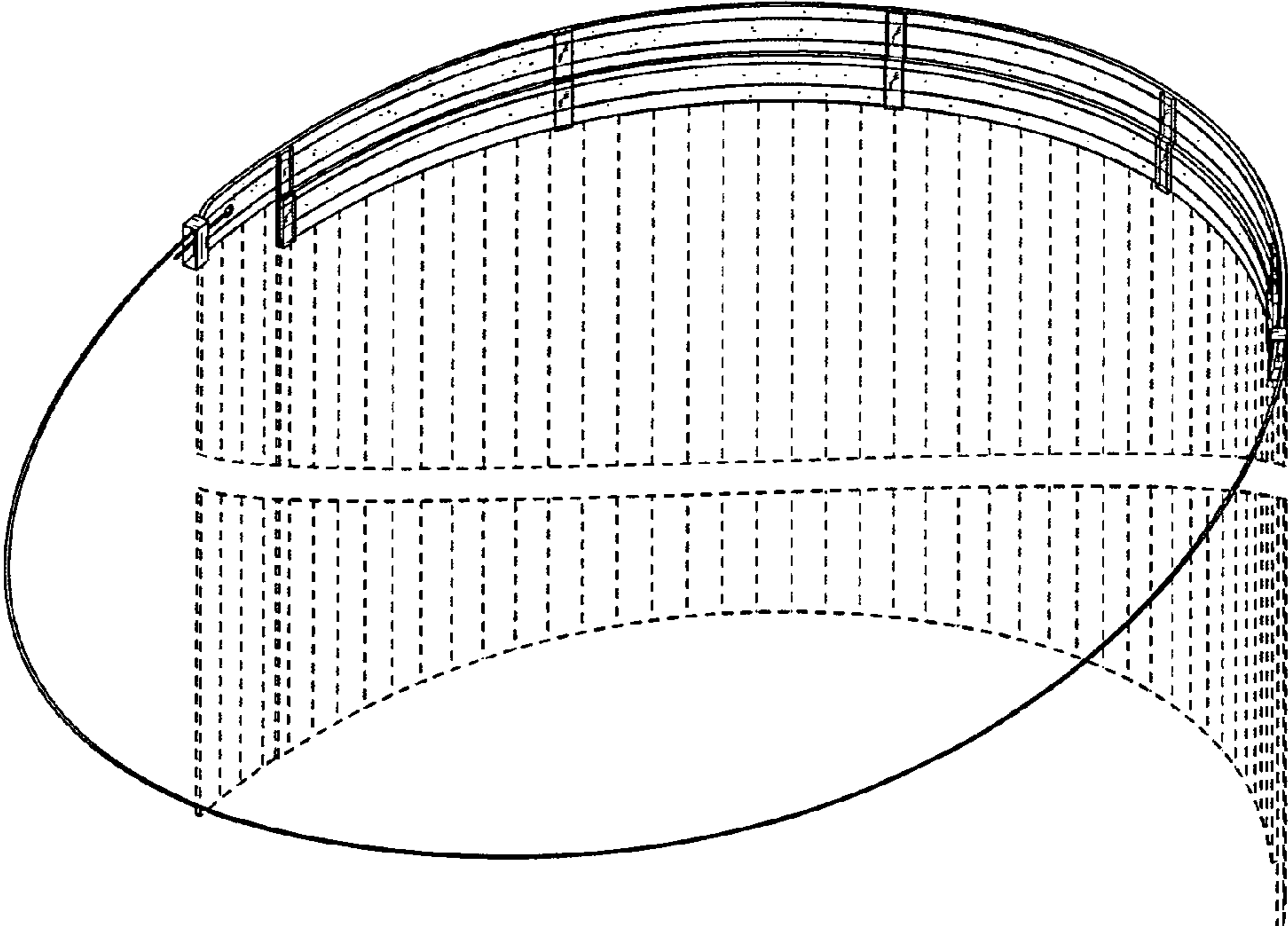


FIG. 1

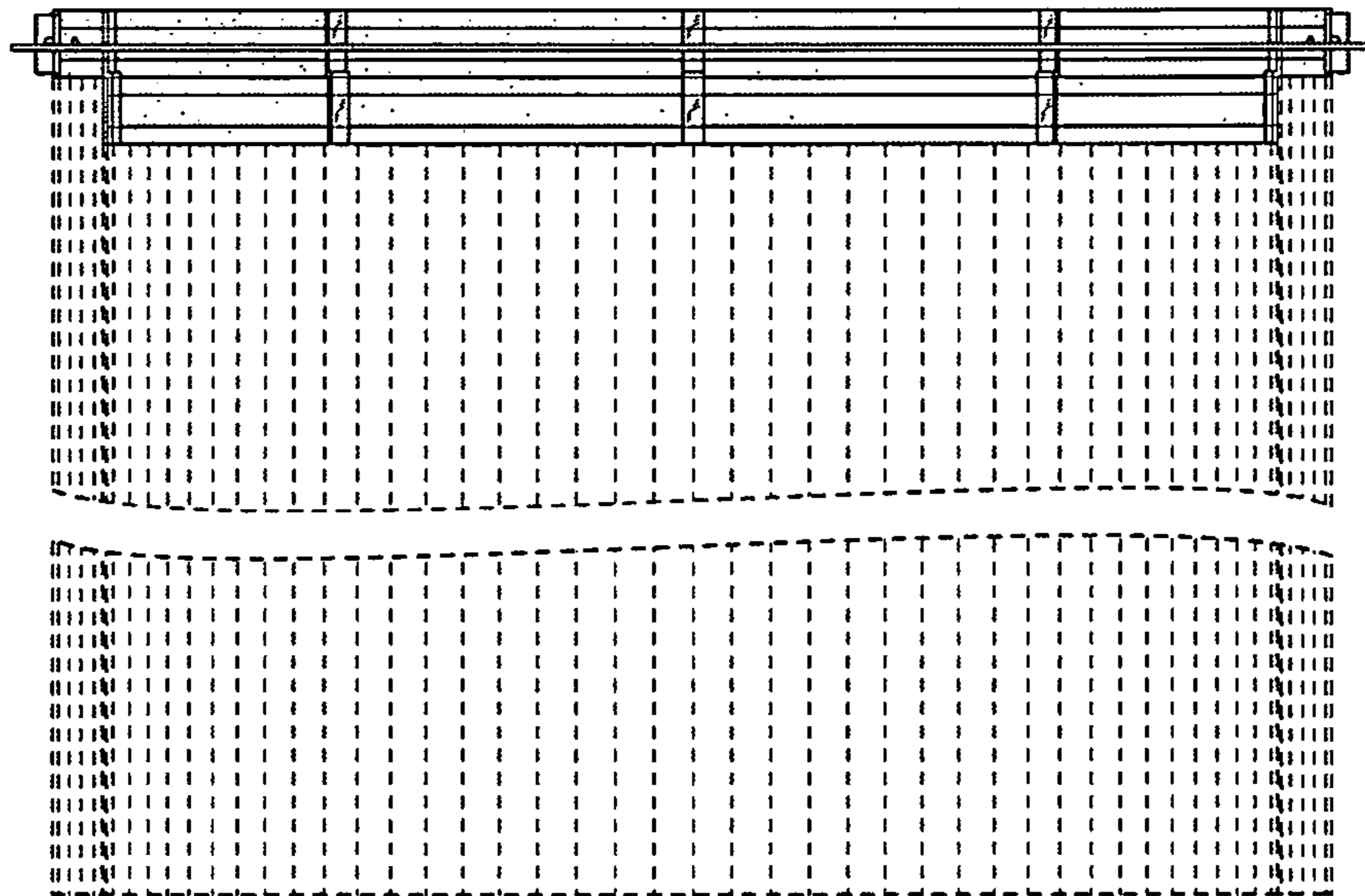


FIG. 2

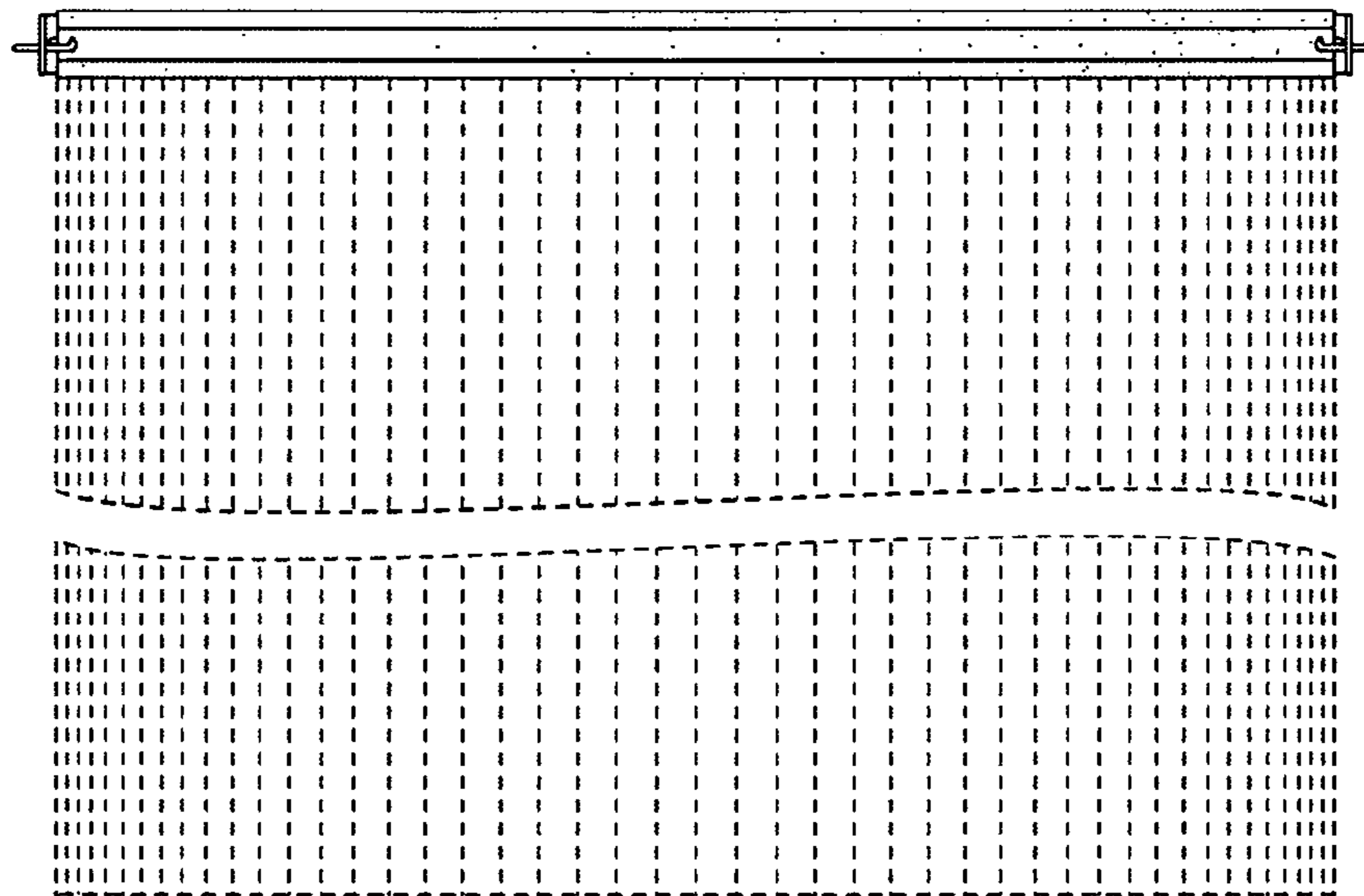


FIG. 3

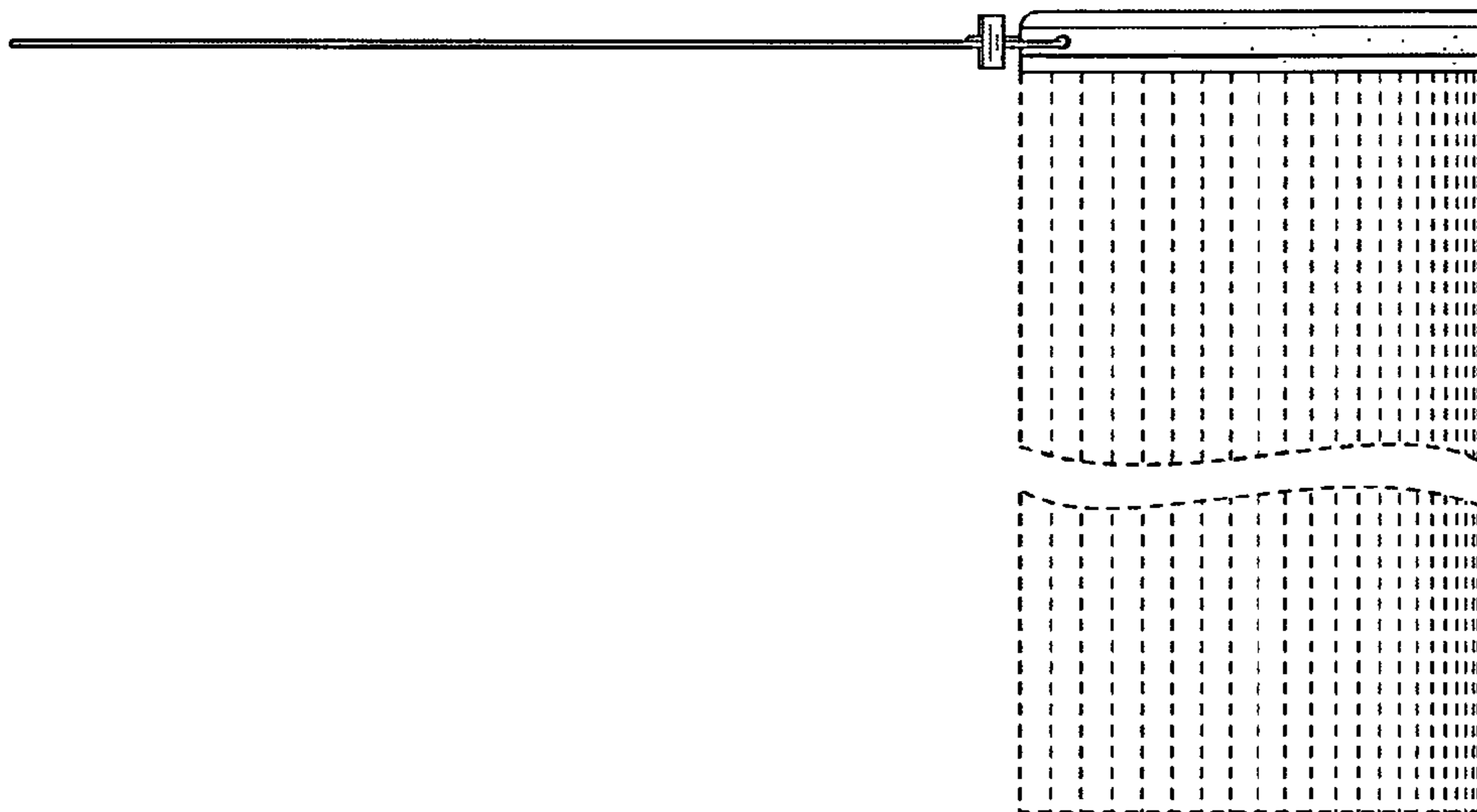


FIG. 4

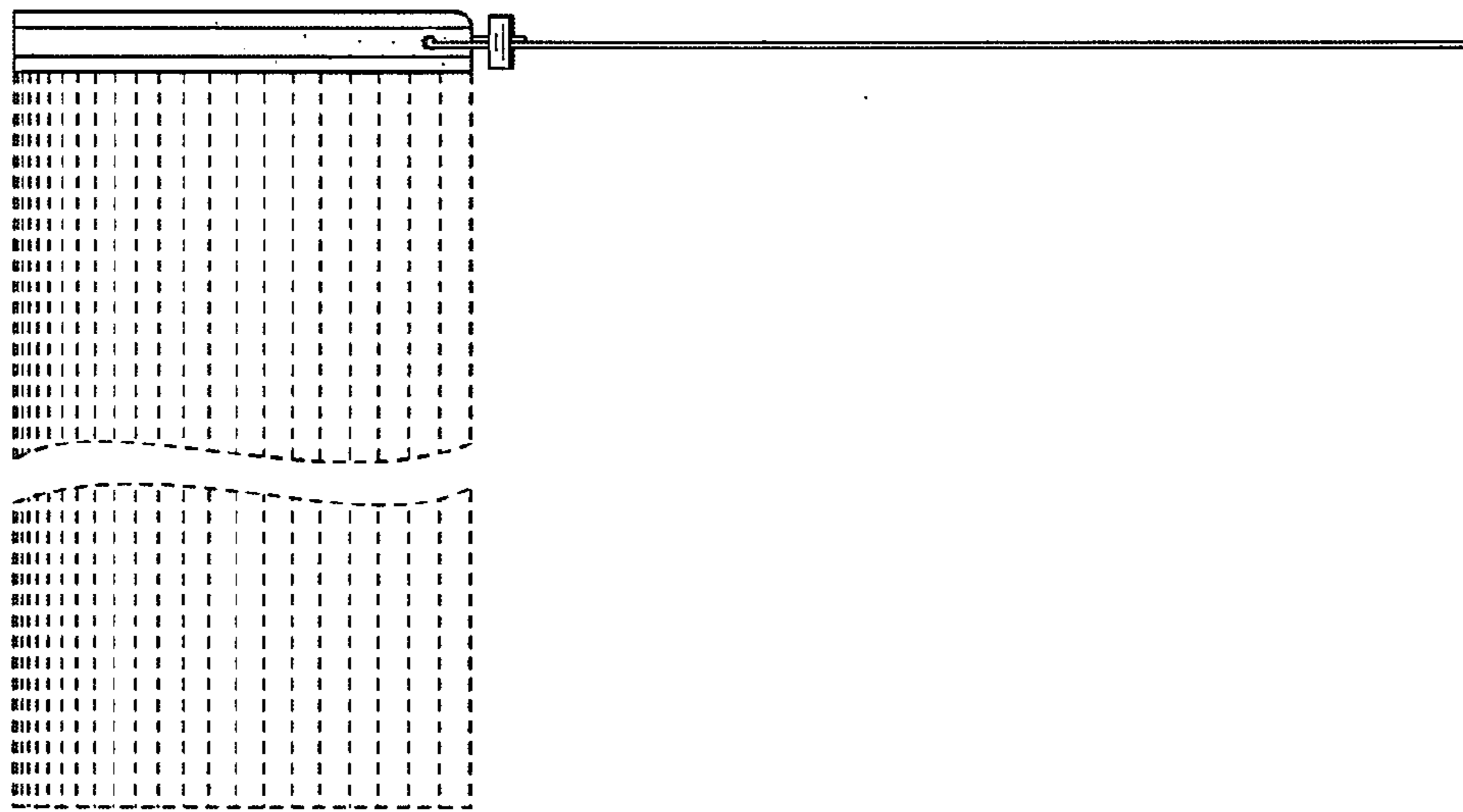


FIG. 5

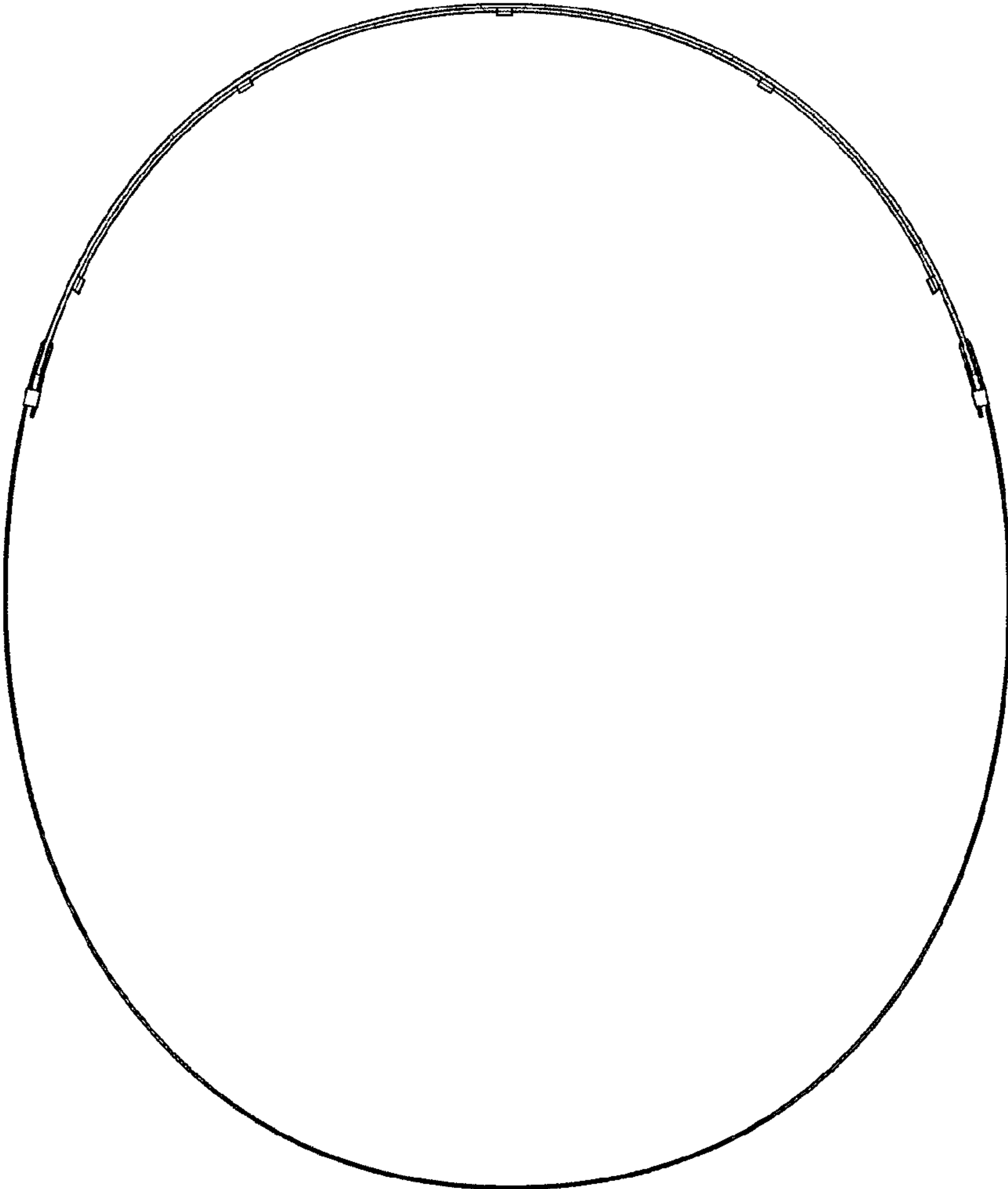


FIG. 6



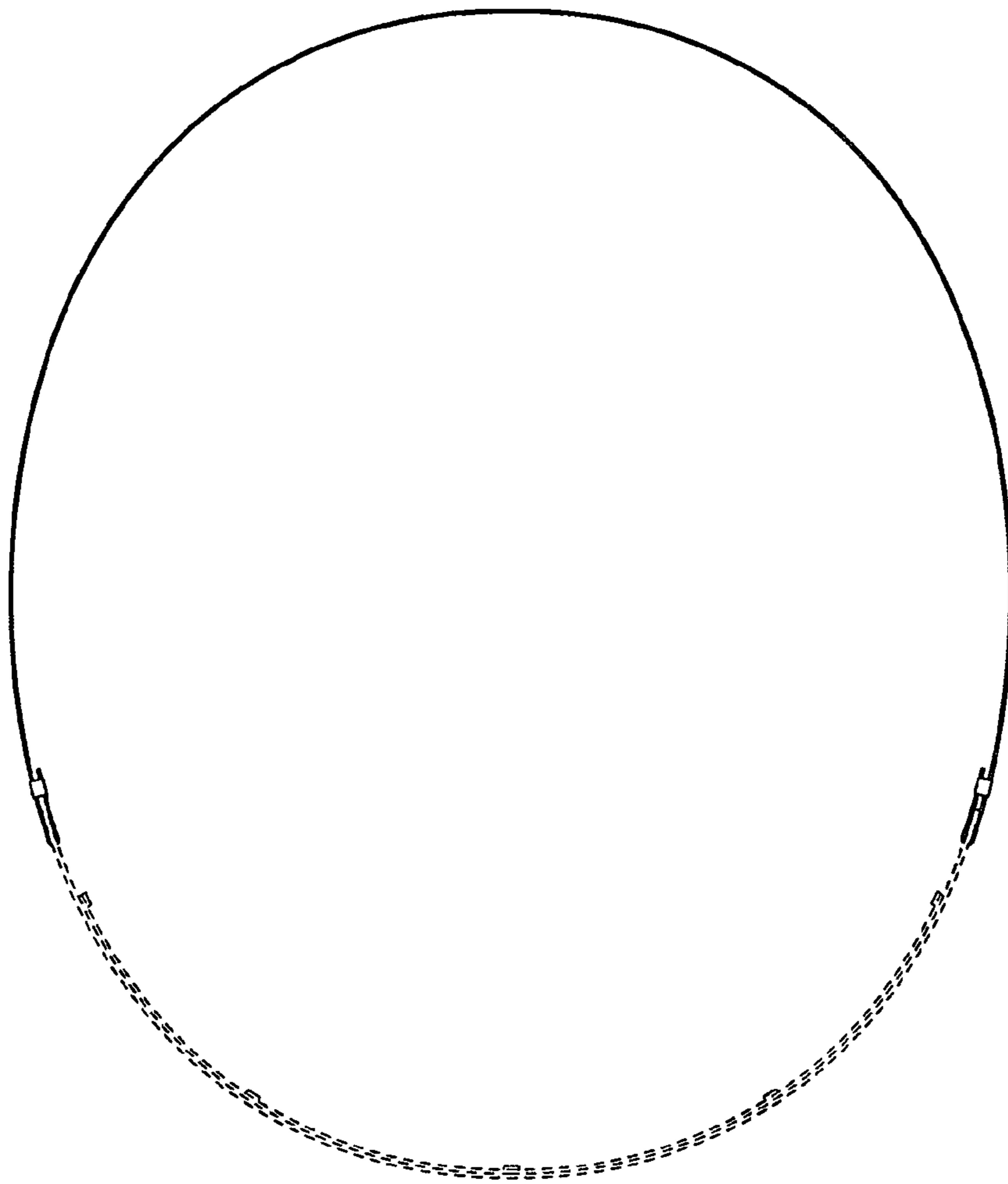


FIG. 7