



US00D743101S

(12) **United States Design Patent**
Pires et al.

(10) **Patent No.:** **US D743,101 S**

(45) **Date of Patent:** **** Nov. 10, 2015**

(54) **COSMETIC CONTAINER**

(71) Applicant: **Revlon Consumer Products Corporation**, New York, NY (US)

(72) Inventors: **Leo Clifford Pires**, Basking Ridge, NJ (US); **Manisha Kohli**, New Delhi (IN); **Smita Srivastava**, New Delhi (IN); **Iti Seth**, Faridabad (IN); **Rahul Bose**, New Delhi (IN); **Roger Hwang**, Maple (CA)

(73) Assignee: **Revlon Consumer Products Corporation**, New York, NY (US)

(**) Term: **14 Years**

(21) Appl. No.: **29/498,399**

(22) Filed: **Aug. 4, 2014**

(51) **LOC (10) Cl.** **28-03**

(52) **U.S. Cl.**
USPC **D28/76; D9/529**

(58) **Field of Classification Search**
USPC D28/76-77, 85-90; D9/529, 522, D9/503-505
CPC ... A45D 40/26; A45D 40/261; A45D 40/262; A45D 40/264; A45D 40/265; A45D 40/267; A45D 40/268; A45D 40/24; A45D 40/18; A45D 34/06
See application file for complete search history.

(56) **References Cited**

U.S. PATENT DOCUMENTS

D345,630 S * 3/1994 Chevassus D28/85

D345,919 S * 4/1994 Chevassus D9/529
D350,836 S * 9/1994 Chevassus D28/76
D499,653 S * 12/2004 Karim D9/529
D617,051 S * 6/2010 Pires et al. D28/76
D673,325 S * 12/2012 Martines D28/85

* cited by examiner

Primary Examiner — Jennifer Rivard

(74) *Attorney, Agent, or Firm* — Revlon Consumer Products Corporation

(57) **CLAIM**

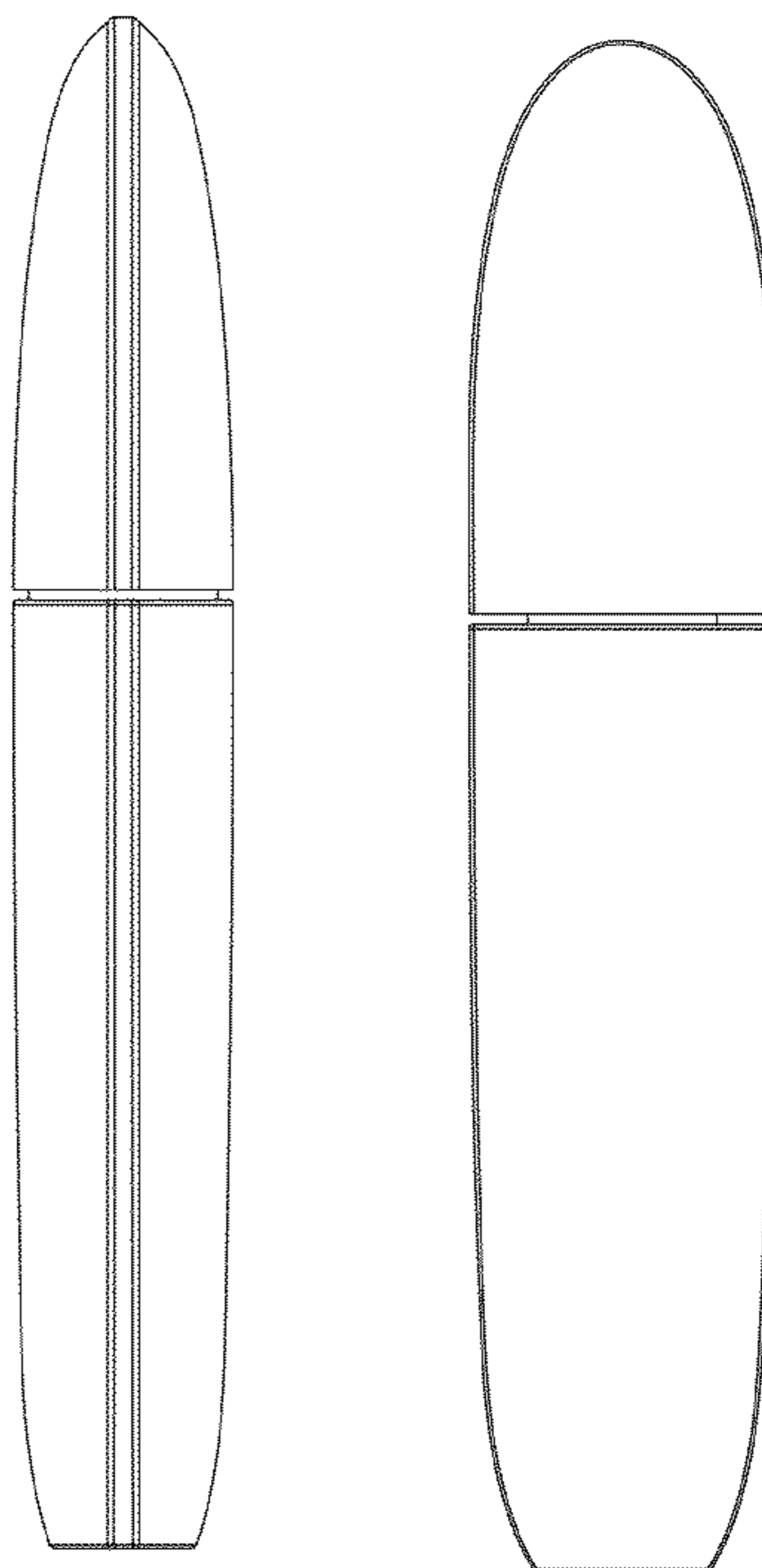
The ornamental design for a “cosmetic container,” as shown and described.

DESCRIPTION

FIG. 1 illustrates an isometric view of a cosmetic container; FIG. 2 is a right view of the cosmetic container of FIG. 1; a left view being same as the right view; FIG. 3 is a front view of the cosmetic container of FIG. 1; a rear view being same as the front view; FIG. 4 is an enlarged top view of the cosmetic container of FIG. 1; and, FIG. 5 is an enlarged bottom view of the cosmetic container of FIG. 1.

The broken lines shown in the drawings illustrate a portion of the cosmetic container and form no part of the claimed design.

1 Claim, 4 Drawing Sheets



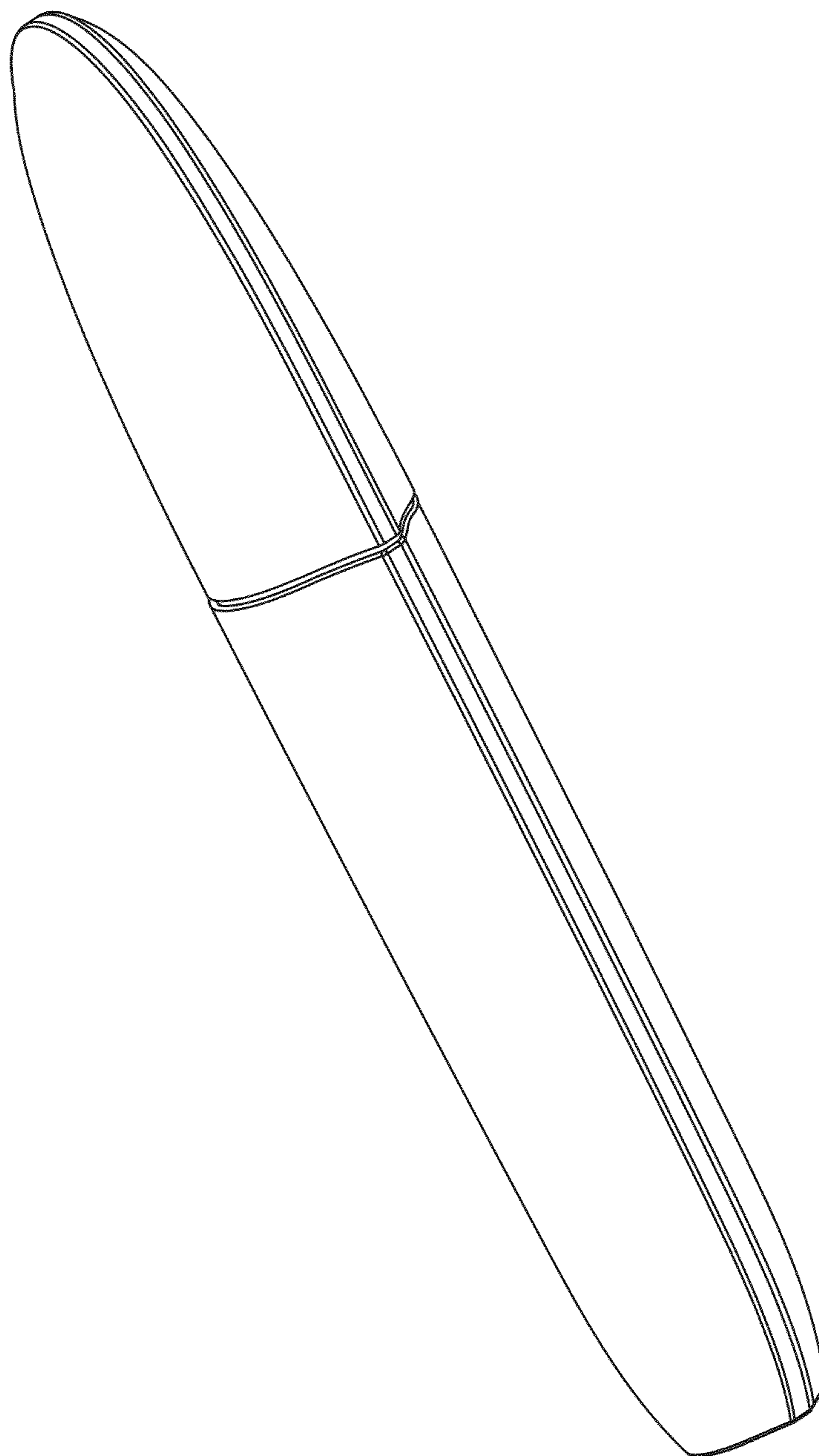


FIG. 1

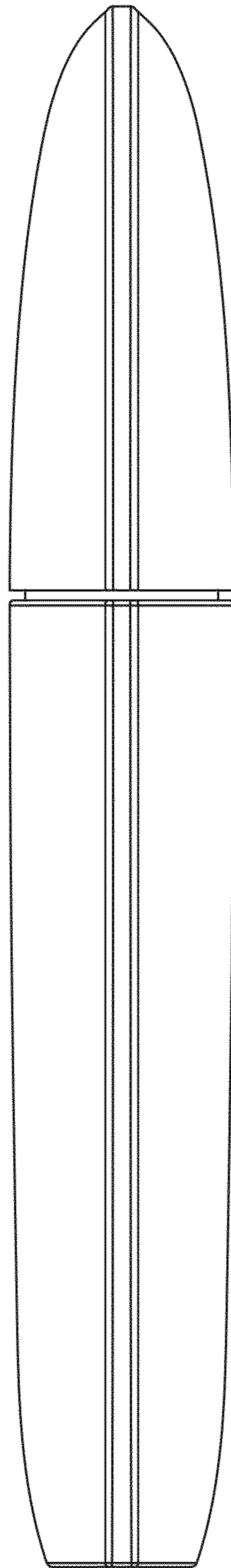


FIG. 2

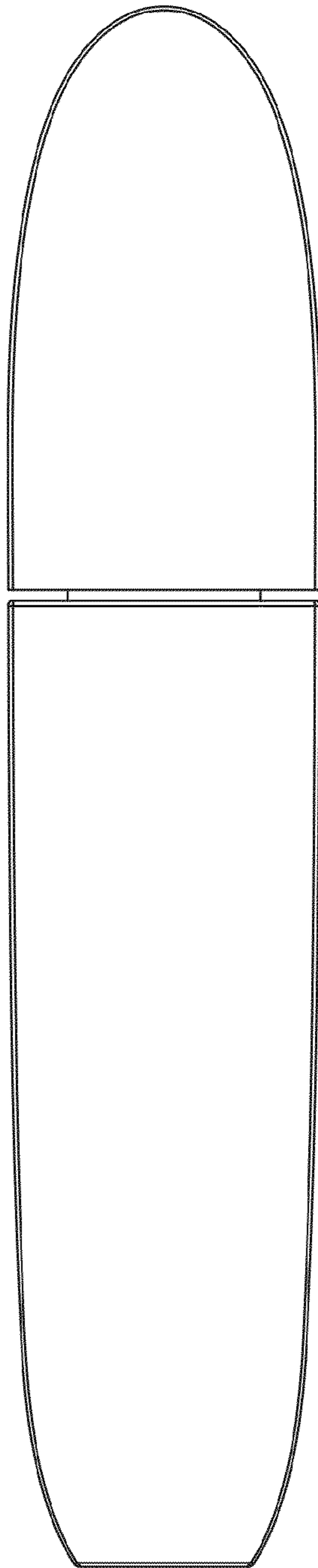


FIG. 3

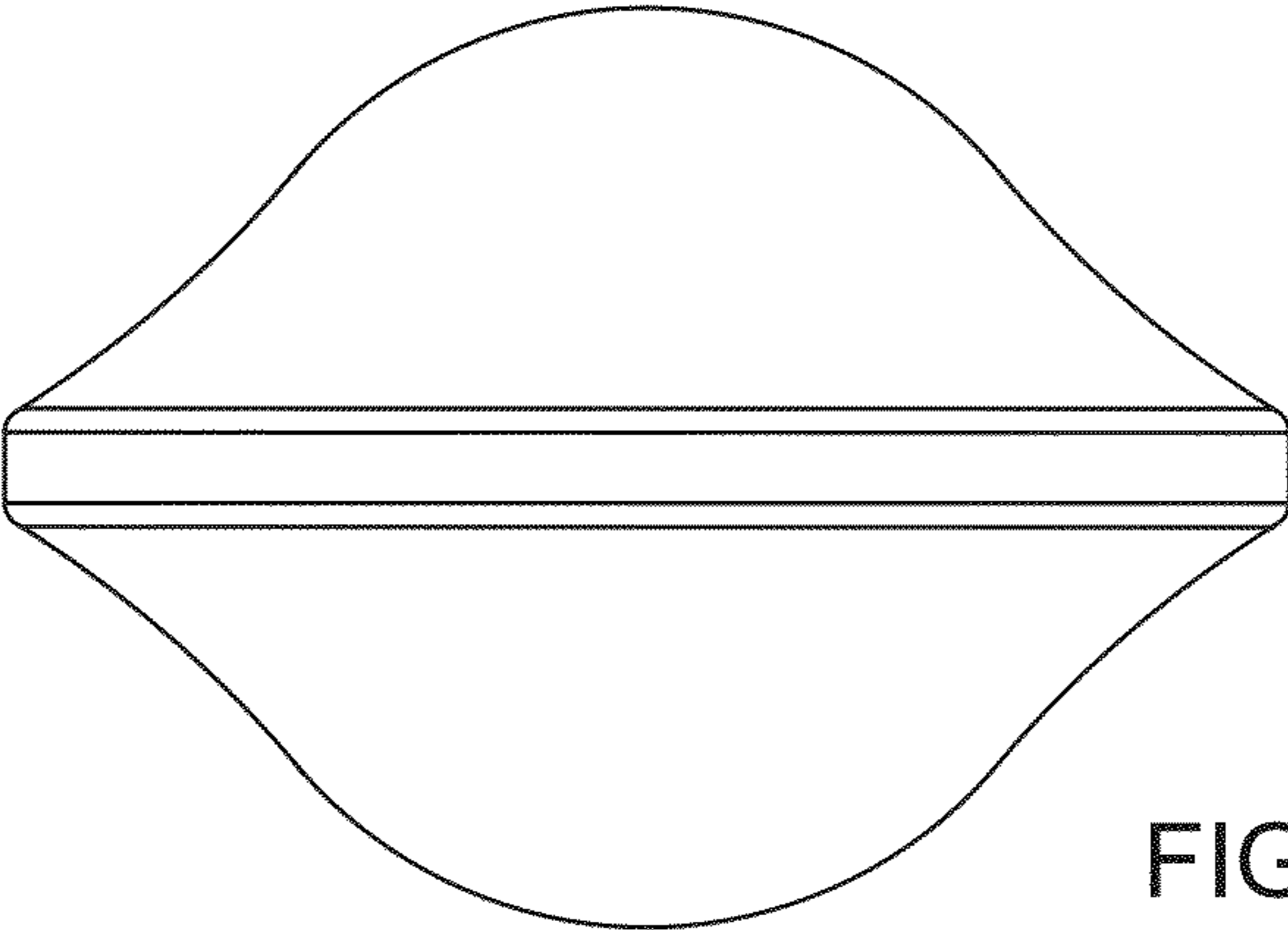


FIG. 4

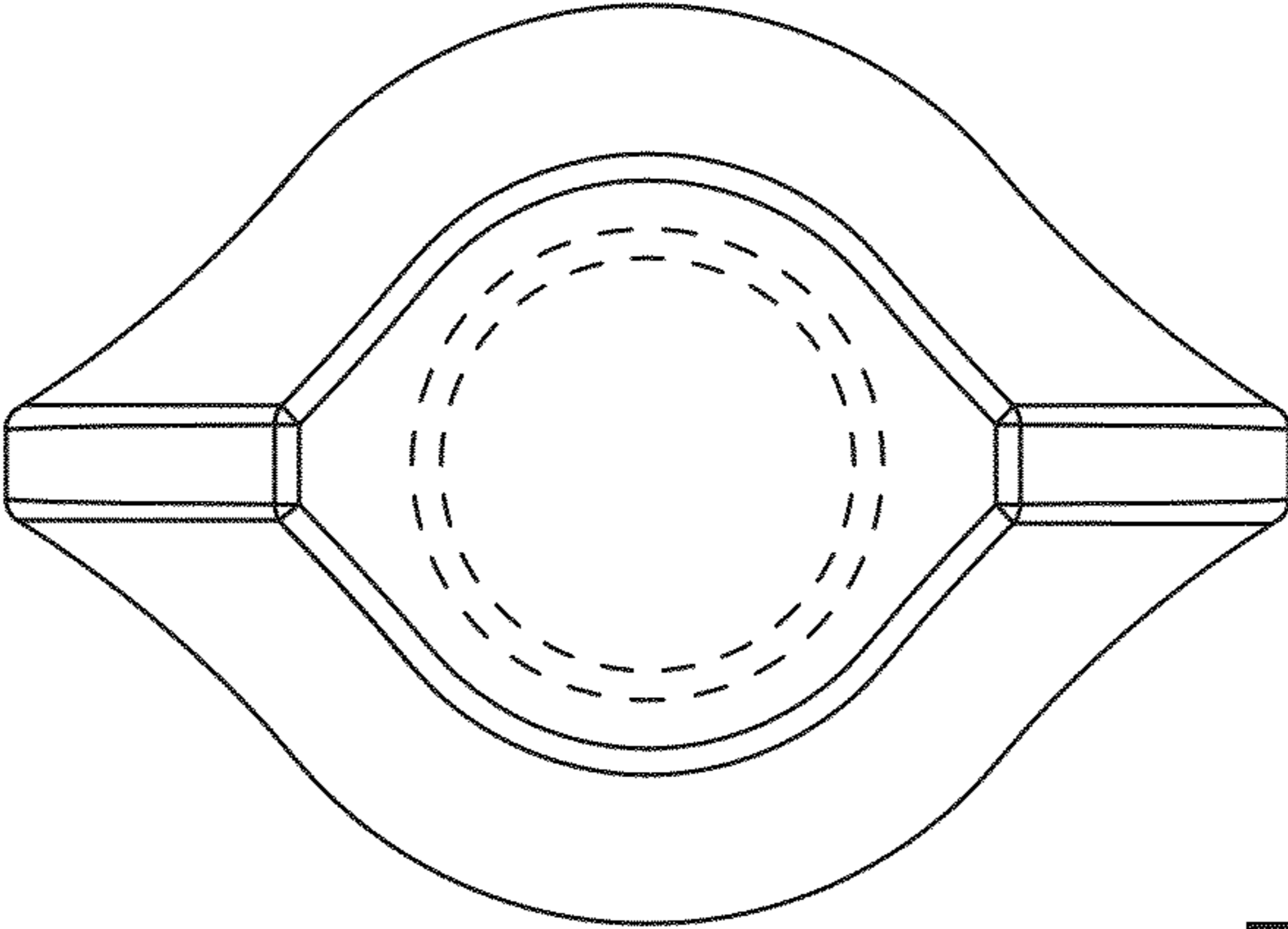


FIG. 5