



US00D743098S

(12) **United States Design Patent**
Hehir

(10) **Patent No.:** **US D743,098 S**

(45) **Date of Patent:** **** Nov. 10, 2015**

(54) **SMOKING PIPE**

(71) Applicant: **Paul Birch Hehir**, Sultan, WA (US)

(72) Inventor: **Paul Birch Hehir**, Sultan, WA (US)

(**) Term: **14 Years**

(21) Appl. No.: **29/456,615**

(22) Filed: **May 31, 2013**

(51) **LOC (10) Cl.** **27-02**

(52) **U.S. Cl.**
USPC **D27/163**

(58) **Field of Classification Search**
USPC D27/163-169; 131/328-330, 196, 199
CPC A24F 1/00; A24F 2700/01
See application file for complete search history.

(56) **References Cited**

U.S. PATENT DOCUMENTS

562,593	A *	6/1896	Elam	131/199
571,805	A *	11/1896	Stark	131/184.1
1,627,416	A *	5/1927	Schuman	131/199
D124,752	S *	1/1941	Richards	D27/163
2,269,541	A *	1/1942	MacDonald	131/196
2,366,215	A *	1/1945	Richards	131/223
D147,960	S *	11/1947	Danilowicz	D27/164
D149,819	S *	6/1948	Jones	D27/164
2,933,091	A *	4/1960	Ostergard	131/202
D189,331	S *	11/1960	Oden	D27/163
3,048,179	A *	8/1962	Stieger	131/195

3,863,649	A *	2/1975	Scharfy	131/192
D246,603	S *	12/1977	Frost	D27/163
D247,121	S *	1/1978	Graham	D27/163
D264,885	S *	6/1982	Irelan	D27/165
D442,329	S *	5/2001	Najar et al.	D27/165

OTHER PUBLICATIONS

A series of photos depicting various smoking pipes, 30 pages.

* cited by examiner

Primary Examiner — Susan Bennett Hattan

Assistant Examiner — Janice Hallmark

(74) *Attorney, Agent, or Firm* — Michael R. Schacht;
Schacht Law Office, Inc.

(57) **CLAIM**

The ornamental design for a smoking pipe, as shown and described.

DESCRIPTION

FIG. 1 is a first end elevation view of a smoking pipe showing my new design;

FIG. 2 is a first side elevation view thereof;

FIG. 3 is second end elevation view thereof;

FIG. 4 is a second side elevation view thereof;

FIG. 5 is a top plan view thereof; and,

FIG. 6 is a bottom plan view thereof.

The broken lines in FIG. 3 depict unclaimed parts of the smoking pipe that form no part of the claimed design.

1 Claim, 2 Drawing Sheets



FIG. 1

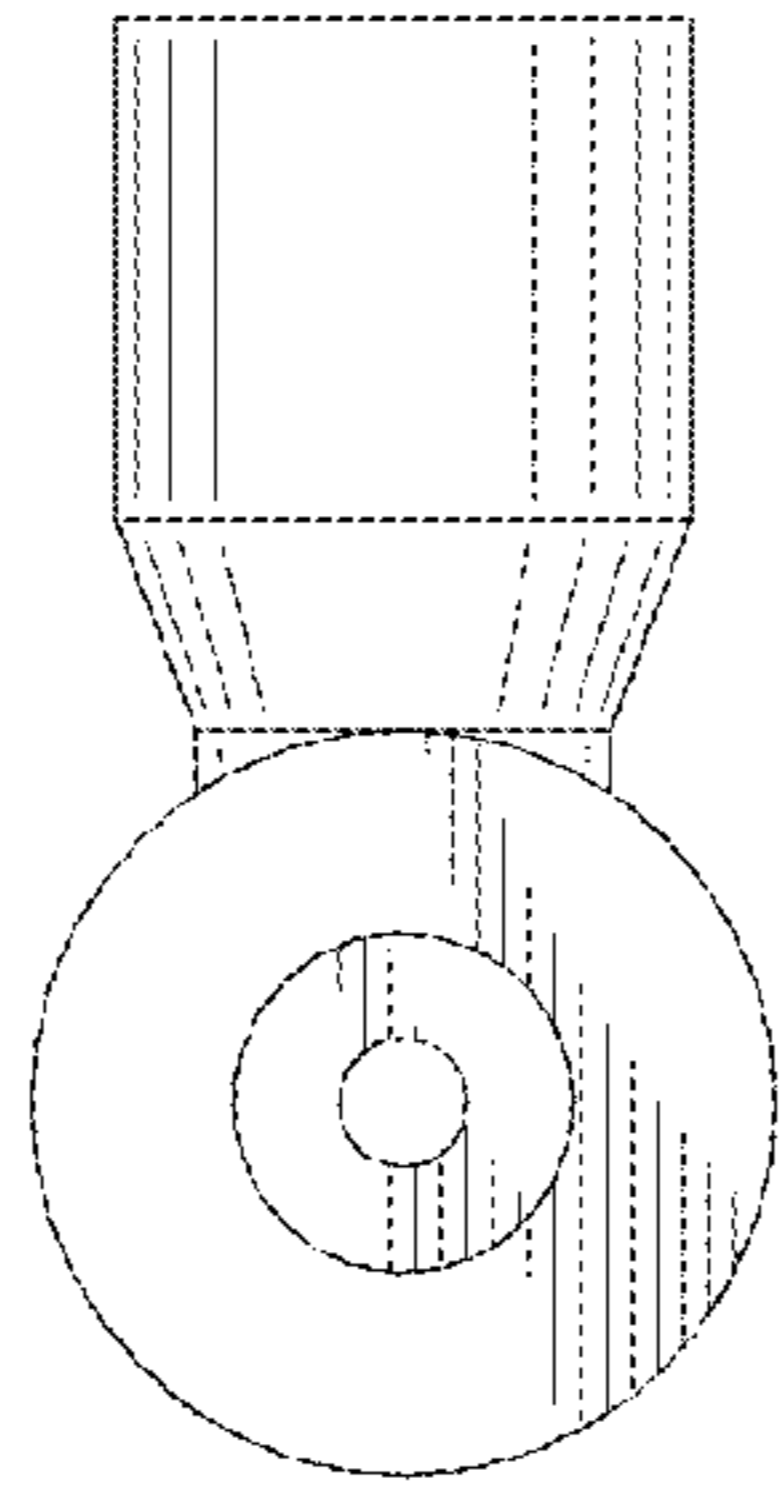


FIG. 2

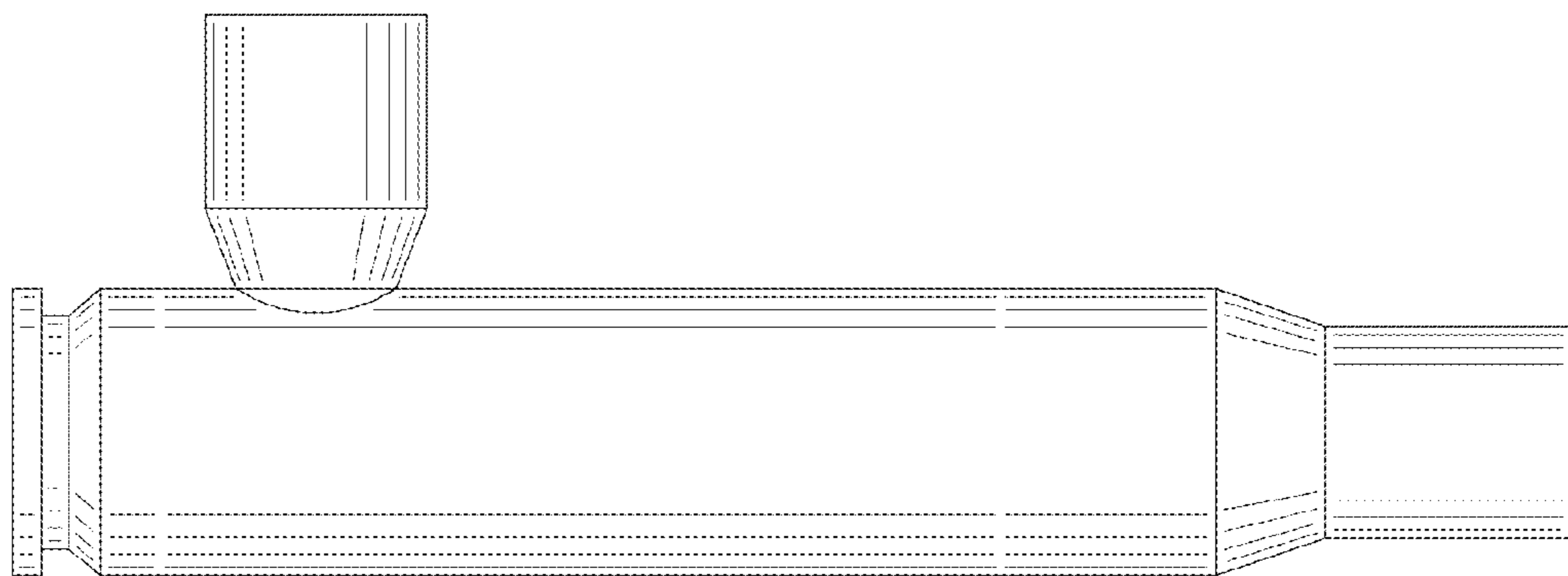


FIG. 3

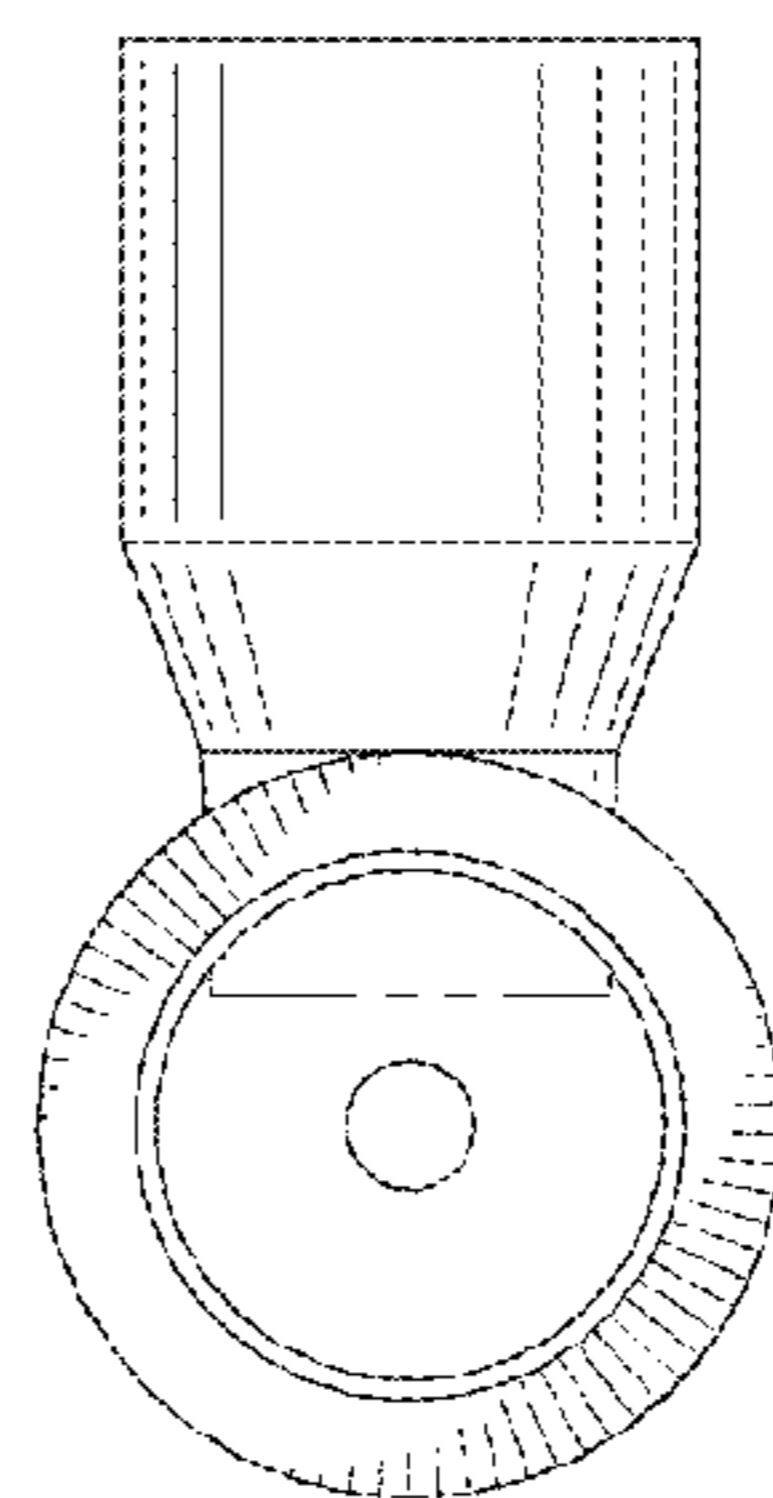


FIG. 4

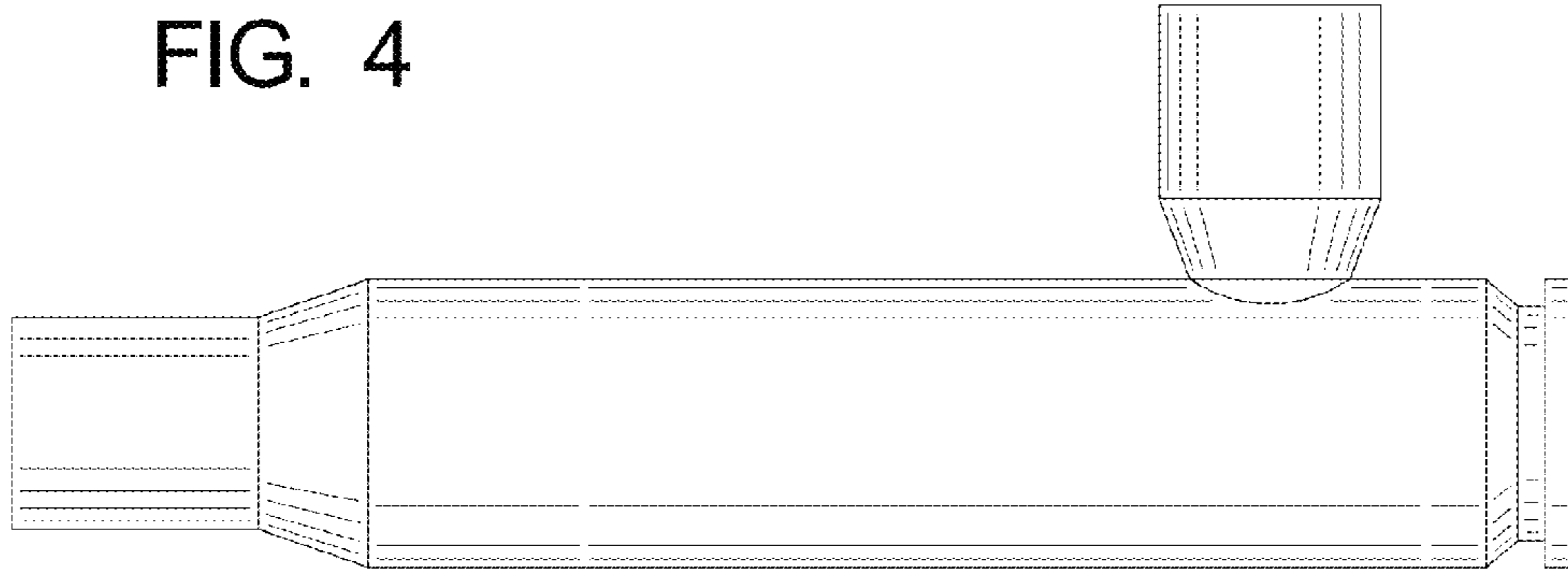


FIG. 5

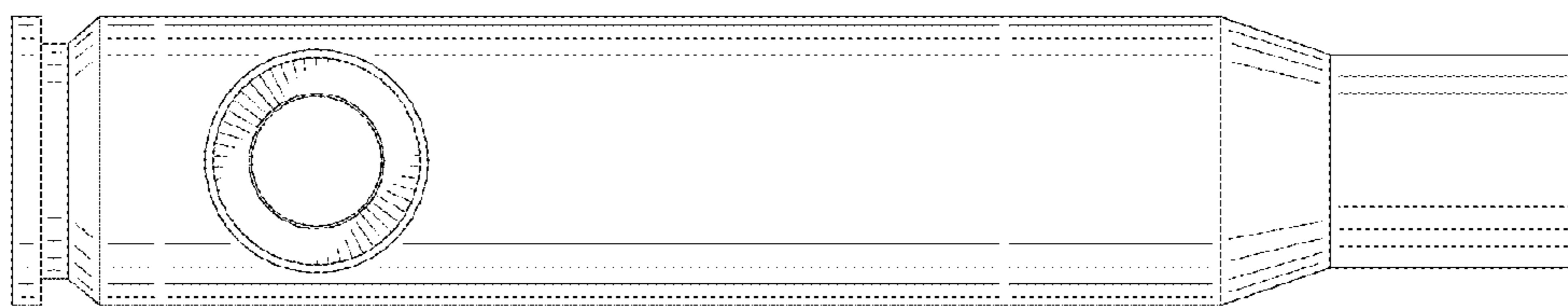


FIG. 6

