



US00D743095S

(12) **United States Design Patent**
Cohen et al.

(10) **Patent No.:** **US D743,095 S**

(45) **Date of Patent:** **** Nov. 10, 2015**

(54) **FRAME FOR A LAMP**

(71) Applicants: **Drew Cohen**, Kings Park, NY (US);
Eric Mingrino, Middle Village, NY
(US)

(72) Inventors: **Drew Cohen**, Kings Park, NY (US);
Eric Mingrino, Middle Village, NY
(US)

(**) Term: **14 Years**

(21) Appl. No.: **29/485,335**

(22) Filed: **Mar. 18, 2014**

(51) **LOC (10) Cl.** **26-99**

(52) **U.S. Cl.**
USPC **D26/152**

(58) **Field of Classification Search**
USPC D26/24, 39, 59, 67, 68, 69, 70, 71, 72,
D26/74, 77, 80, 88, 89, 138, 139, 140, 141,
D26/142, 151, 152; D6/300, 308, 553, 559;
362/126, 294, 355
CPC F24S 4/001; F24S 4/005; F24S 8/00;
F24S 8/04; F24S 8/043; F24S 8/046; F24S
8/06-8/065; F24S 13/02; F24S 13/04; F24S
13/06

See application file for complete search history.

(56) **References Cited**

U.S. PATENT DOCUMENTS

D91,820 S * 3/1934 Guild D26/56
D125,120 S * 2/1941 Shulman D26/56
D132,378 S * 5/1942 Nordquist D26/56

D154,892 S * 8/1949 Adrian D26/56
D266,890 S * 11/1982 Pfanstiehl D6/300
D438,667 S * 3/2001 Leen D26/113
6,685,328 B1 * 2/2004 Hanson et al. 362/610
6,921,185 B2 * 7/2005 Monroe et al. 362/375
7,334,342 B1 * 2/2008 Barr et al. 33/528
D712,591 S * 9/2014 Sannella D26/141
2004/0083617 A1 * 5/2004 Bielen 33/528
2012/0279746 A1 * 11/2012 Gagne et al. 174/50.51

* cited by examiner

Primary Examiner — George D Kirschbaum

Assistant Examiner — Natasha Vujcic

(74) *Attorney, Agent, or Firm* — Gottlieb, Rackman &
Reisman, P.C.

(57) **CLAIM**

We claim the ornamental design for a frame for a lamp, as
shown and described.

DESCRIPTION

The subject matter of this application is related to U.S. design
application Ser. No. 29/485,310, entitled a Desk Lamp, filed
on even date herewith, and U.S. patent application Ser. No.
14/217,736, entitled a Rotating Lamp With Exchangeable
Panels, filed on even date herewith, all incorporated herein by
reference.

FIG. 1 is an orthogonal side view of a frame for a lamp of our
new design;

FIG. 2 is a top view thereof;

FIG. 3 is a front elevational view thereof;

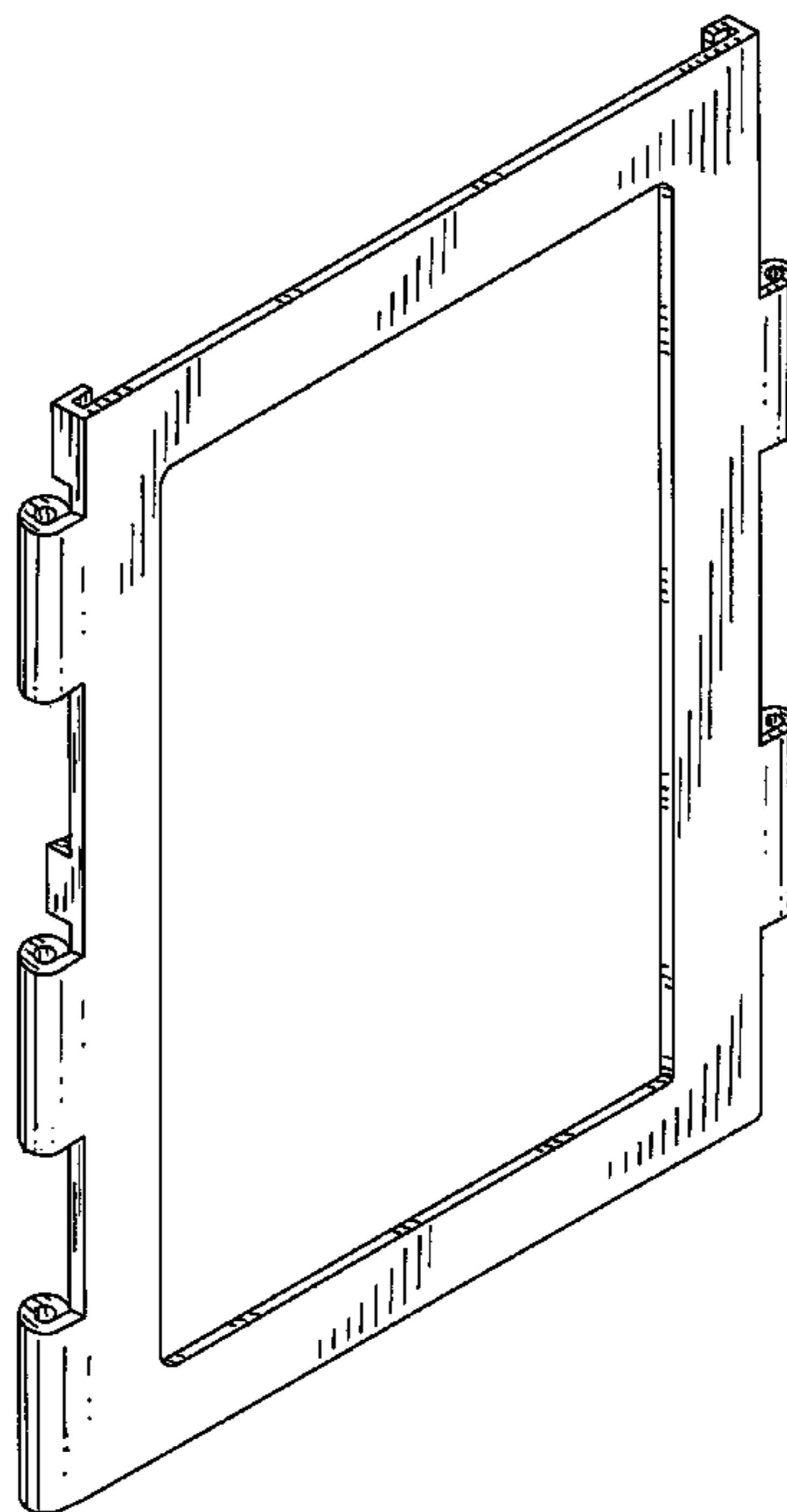
FIG. 4 is a right elevational view thereof;

FIG. 5 is a left elevational view thereof;

FIG. 6 is a rear elevational view thereof; and,

FIG. 7 is a bottom view thereof.

1 Claim, 4 Drawing Sheets



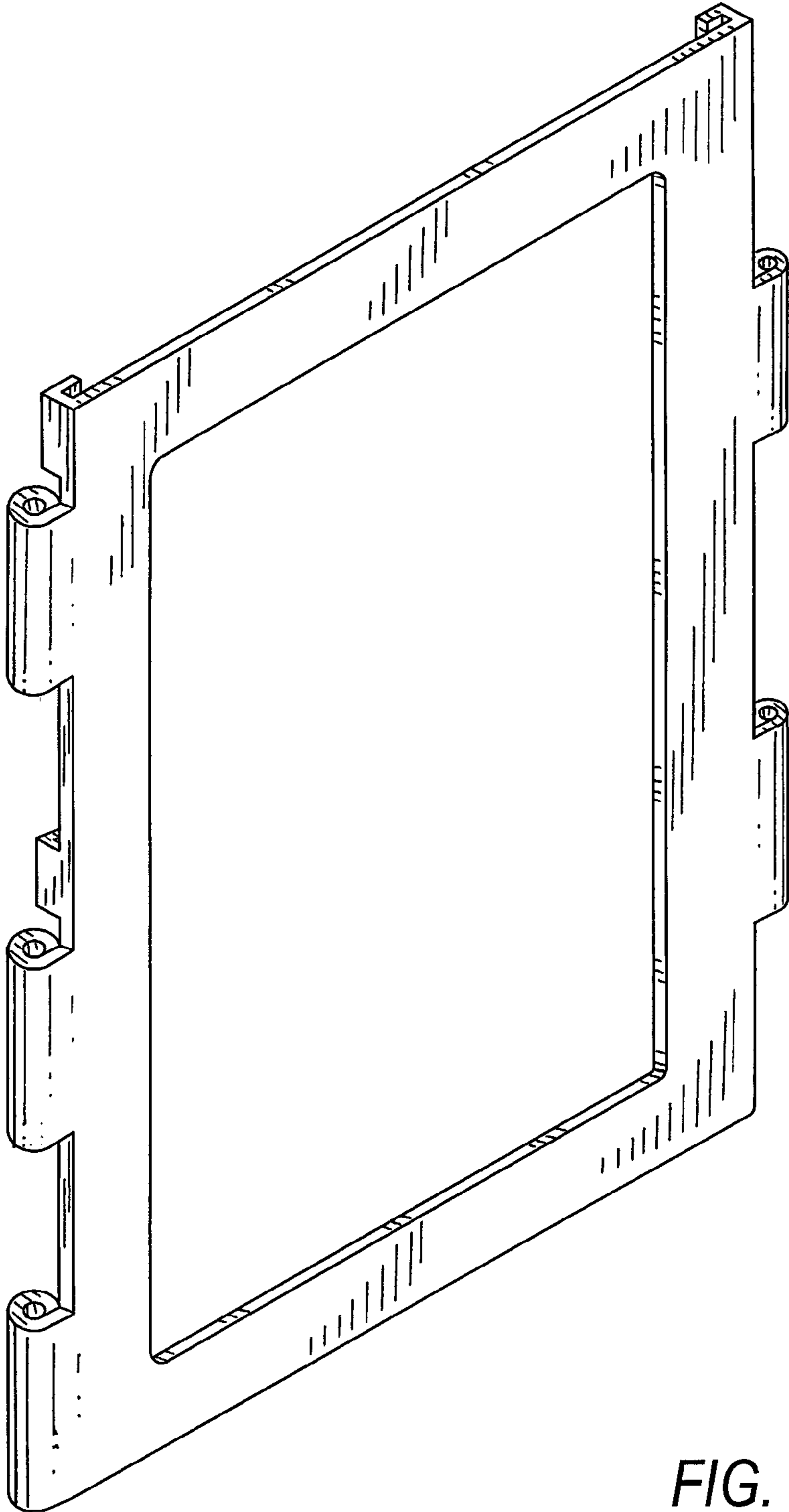


FIG. 1

FIG. 2

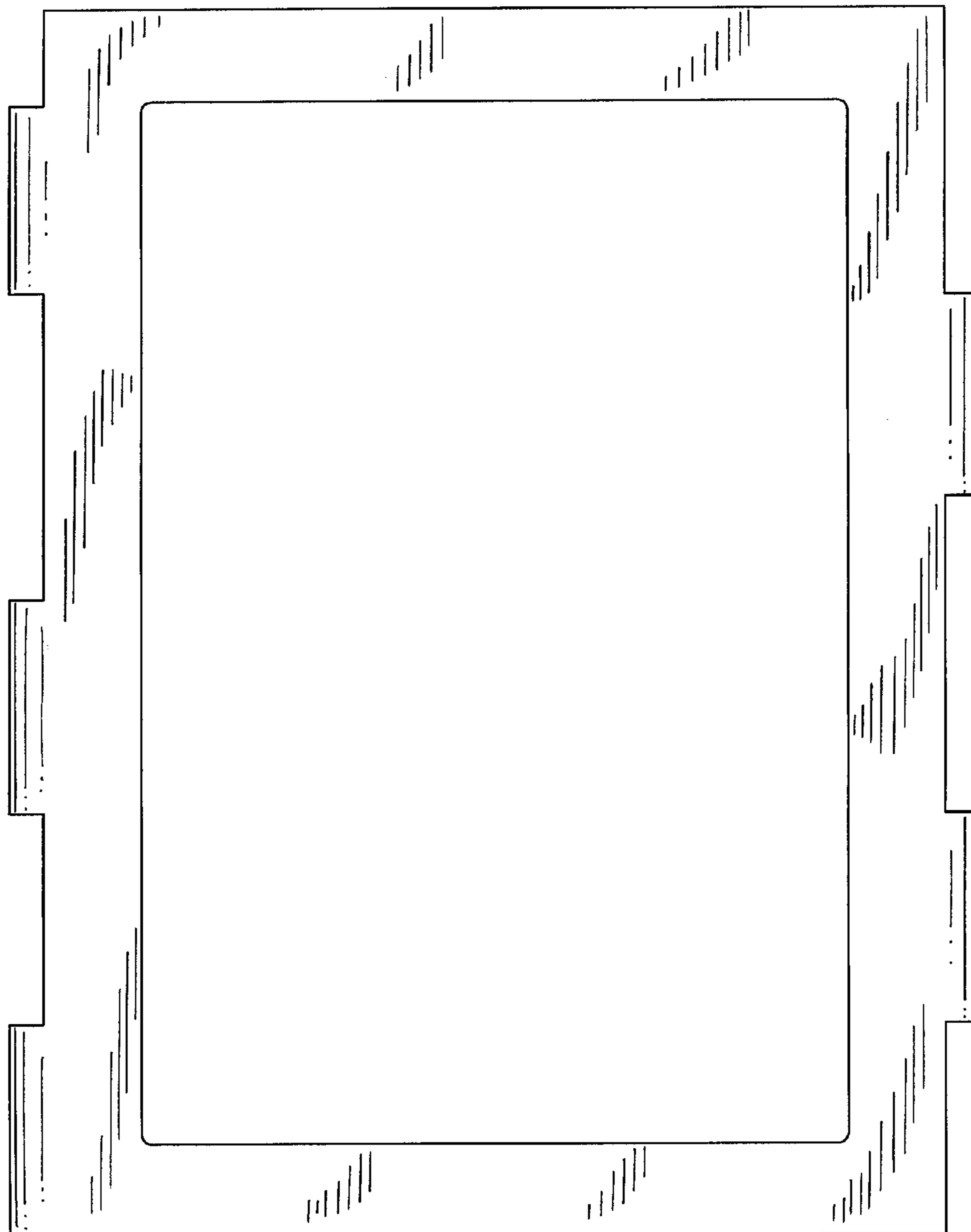


FIG. 3

FIG. 4



FIG. 5

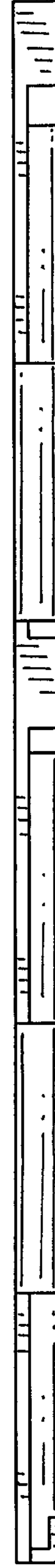


FIG. 6

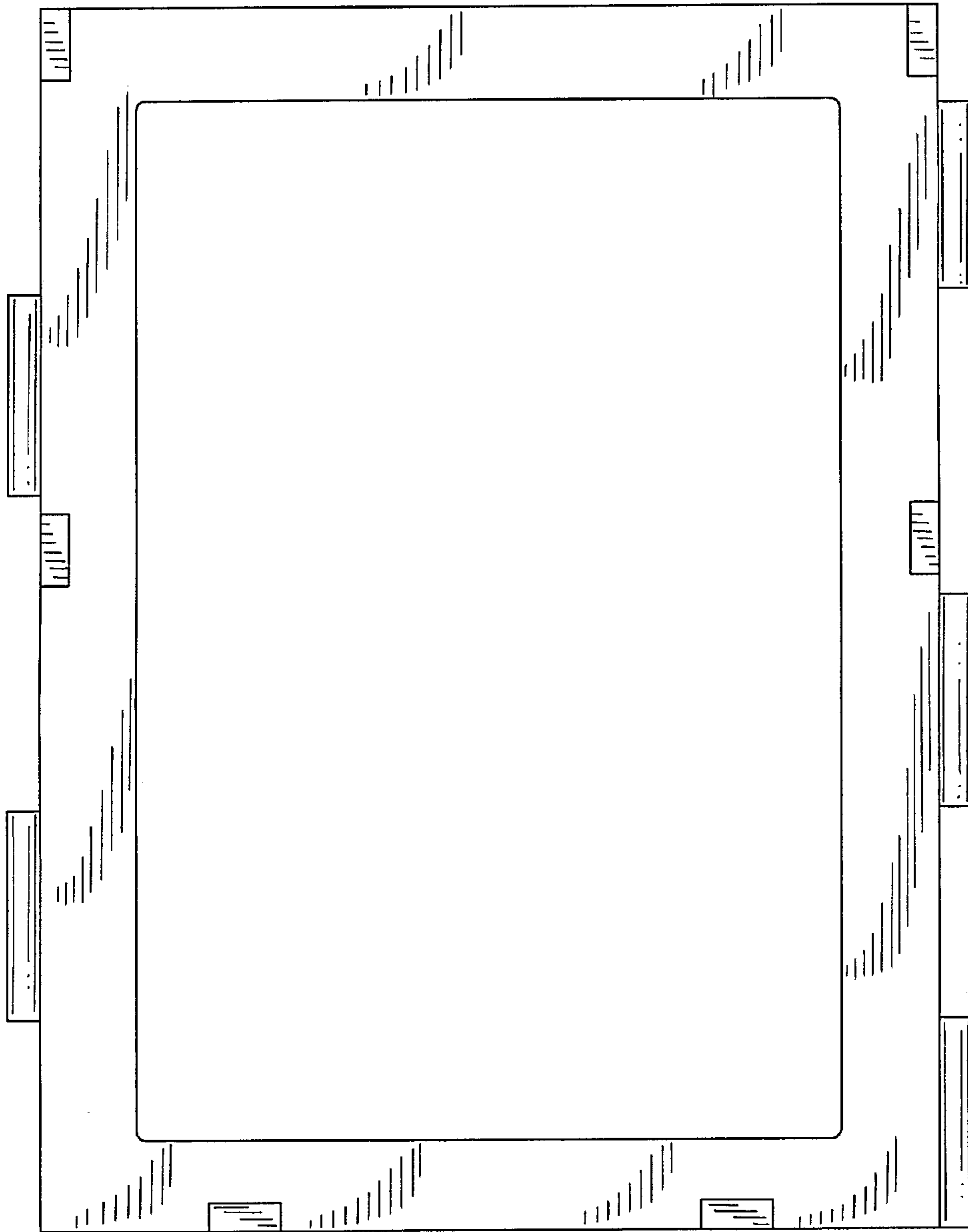


FIG. 7

