



US00D743093S

(12) **United States Design Patent**
Paulsen et al.

(10) **Patent No.:** **US D743,093 S**

(45) **Date of Patent:** **** Nov. 10, 2015**

(54) **SIX-POSITION LIGHT FIXTURE SUPPORT**

(71) Applicant: **3M INNOVATIVE PROPERTIES COMPANY**, St. Paul, MN (US)

(72) Inventors: **Gary H. Paulsen**, St. Paul, MN (US);
Gina M. Albanese, Minneapolis, MN (US);
Bryon E. Trotter, St. Paul, MN (US);
Todd E. Bracher, Brooklyn, NY (US)

(73) Assignee: **3M Innovative Properties Company**, St. Paul, MN (US)

(**) Term: **14 Years**

(21) Appl. No.: **29/484,003**

(22) Filed: **Mar. 5, 2014**

(51) **LOC (10) Cl.** **29-99**

(52) **U.S. Cl.**
USPC **D26/142**

(58) **Field of Classification Search**

USPC D26/24, 39, 59, 67, 68, 69, 70, 71, 72,
D26/74, 77, 80, 88, 89, 138, 139, 140, 141,
D26/142, 144, 151, 152; 313/115, 548, 557,
313/569, 578, 315; 362/126, 294, 355
CPC F24S 4/001; F24S 4/005; F24S 8/00;
F24S 8/04; F24S 8/043; F24S 8/046; F24S
8/06-8/065; F24S 13/02; F24S 13/04; F24S
13/06

See application file for complete search history.

(56) **References Cited**

U.S. PATENT DOCUMENTS

D75,012 S * 5/1928 Johnson D26/150
D565,228 S * 3/2008 Lovegrove D26/72

D586,029 S * 2/2009 Copeland D26/83
D590,987 S * 4/2009 Dunn et al. D26/141
D592,793 S * 5/2009 Chandler D26/141
D611,645 S * 3/2010 Copeland D26/83

(Continued)

OTHER PUBLICATIONS

“Lattice LED Semi-Flushmount/Pendant”, <http://www.lumens.com/lattice-led-semi-flushmount/pendant-by-sonneman-lighting-uu511230.html#start=96&sz=96&cgid=11&prefn1=Style&prefv1=Contemporary&tileIndex=17>, retrieved Mar. 5, 2014, 2 pages.

(Continued)

Primary Examiner — George D Kirschbaum

Assistant Examiner — Natasha Vujcic

(74) *Attorney, Agent, or Firm* — Philip Y. Dahl

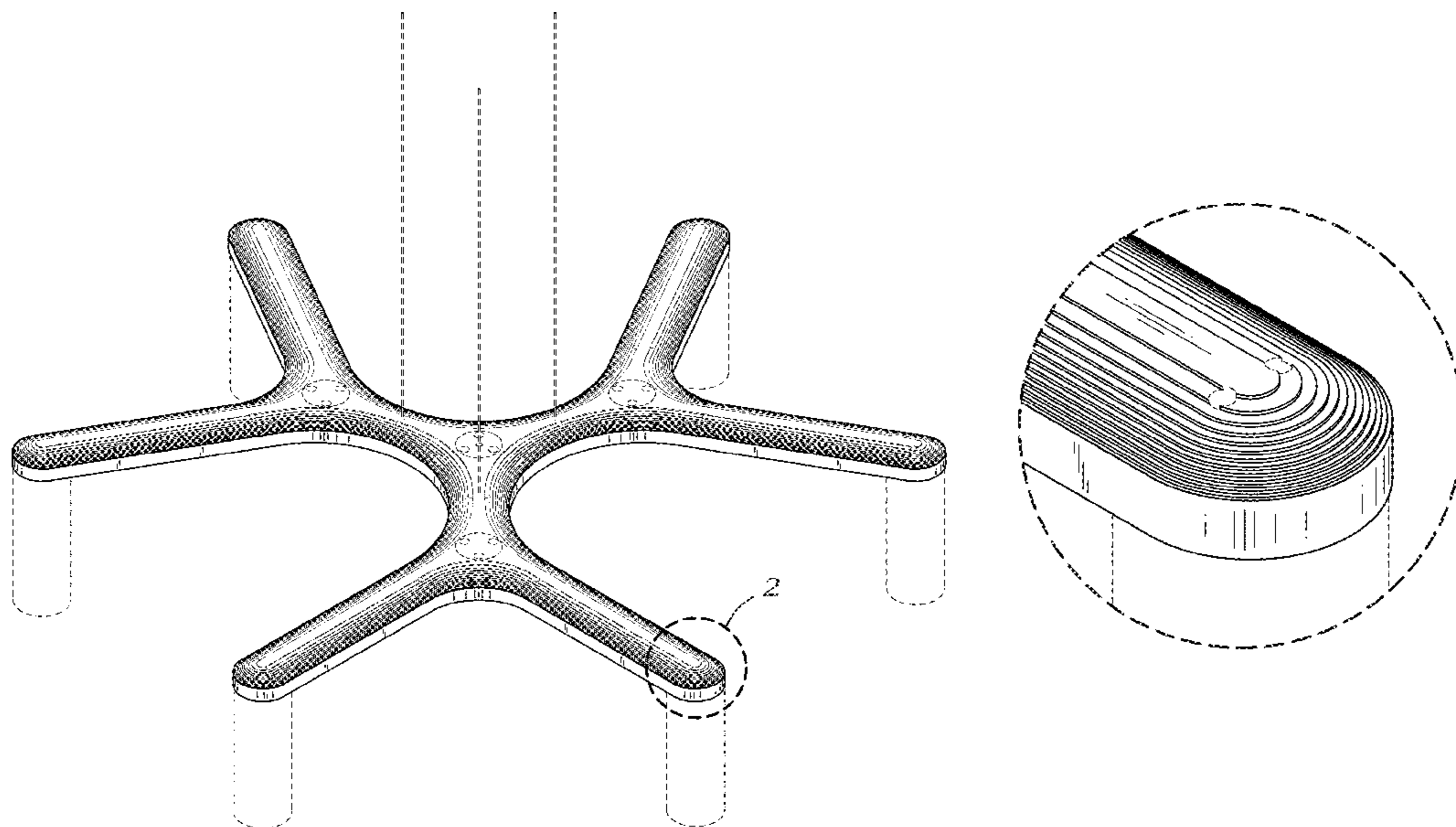
(57) **CLAIM**

The ornamental design for a six-position light fixture support, as shown and described.

DESCRIPTION

FIG. 1 is a front perspective view of a six-position light fixture support, showing our new design;
FIG. 2 is an enlarged detail view of FIG. 1;
FIG. 3 is a top view thereof;
FIG. 4 is a bottom view thereof;
FIG. 5 is a back view thereof;
FIG. 6 is a front view thereof;
FIG. 7 is a right side view thereof; and,
FIG. 8 is a left side view thereof.
The broken lines in the drawings illustrates portions of the six-position light fixture support and forms no part of the claimed design.

1 Claim, 4 Drawing Sheets



(56)

References Cited

OTHER PUBLICATIONS

U.S. PATENT DOCUMENTS

D638,983 S * 5/2011 Martin D26/144
D659,884 S * 5/2012 Sabernig D26/88
D664,288 S * 7/2012 De Lucchi D26/138
D665,941 S * 8/2012 Orozco D26/144
D674,528 S * 1/2013 Paz D26/72
D685,123 S * 6/2013 Dolan D26/81
D693,045 S * 11/2013 Kirschhoffer et al. D26/88
D700,390 S * 2/2014 Sabernig D26/90
D712,089 S * 8/2014 Rogers et al. D26/142
D714,489 S * 9/2014 Trotter et al. D26/140

“Blocs Suspension”, <http://www.lumens.com/blocs-suspension-by-et2-lighting-uu134372.html#start=192&sz=96&cgid=3&prefn1=Style&prefv1=Contemporary&tileIndex=57>, retrieved on Mar. 5, 2014, 2 pages.
“Led Net by Michele De Lucchi and Alberto Nason fro Artemide (IT)”, <http://www.dailytonic.com/led-net-by-michele-de-lucchi-and-alberto-nason-for-artemide-it/>, retrieved on Mar. 5, 2014, 2 pages.

* cited by examiner

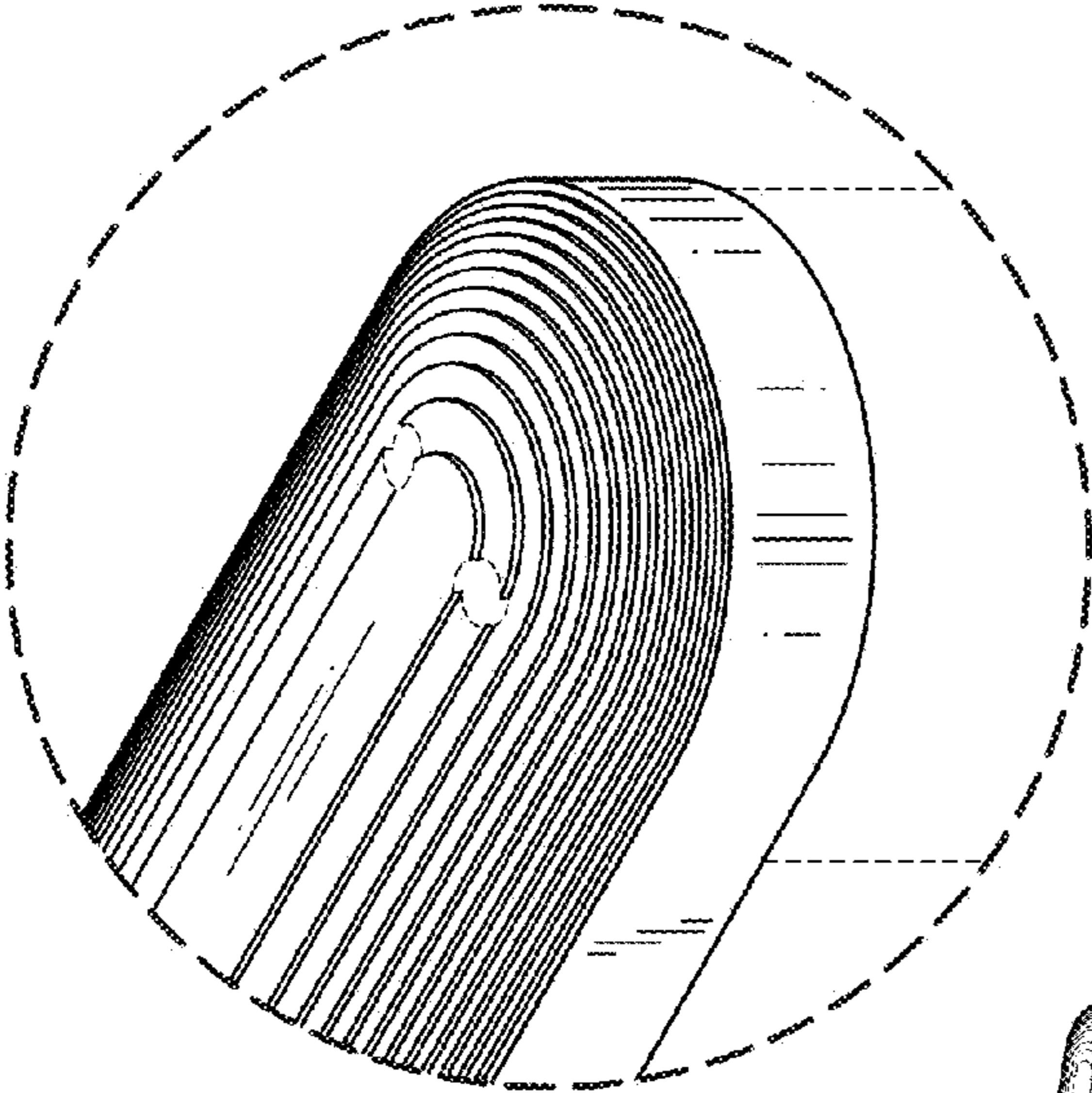


FIG. 2

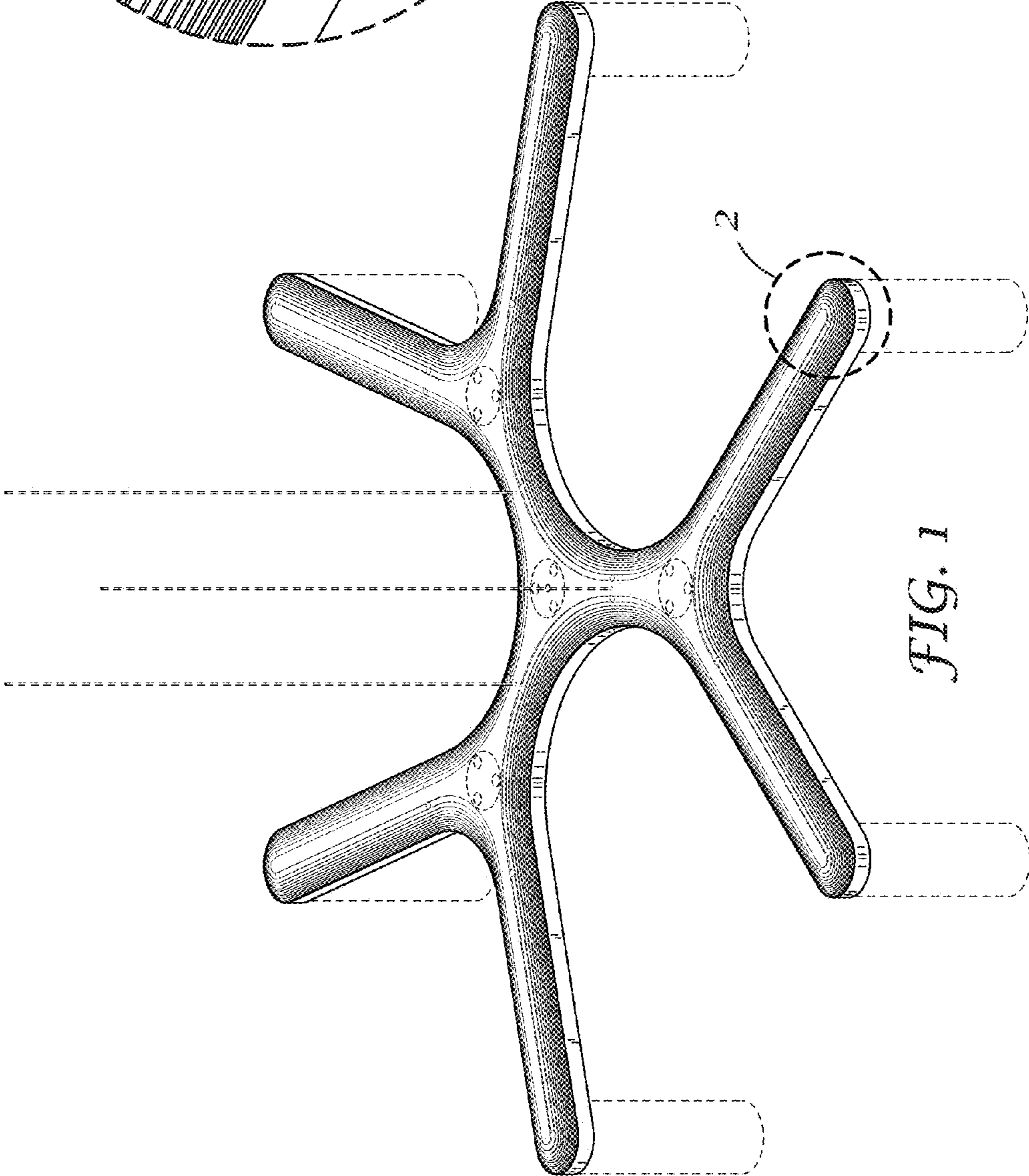


FIG. 1

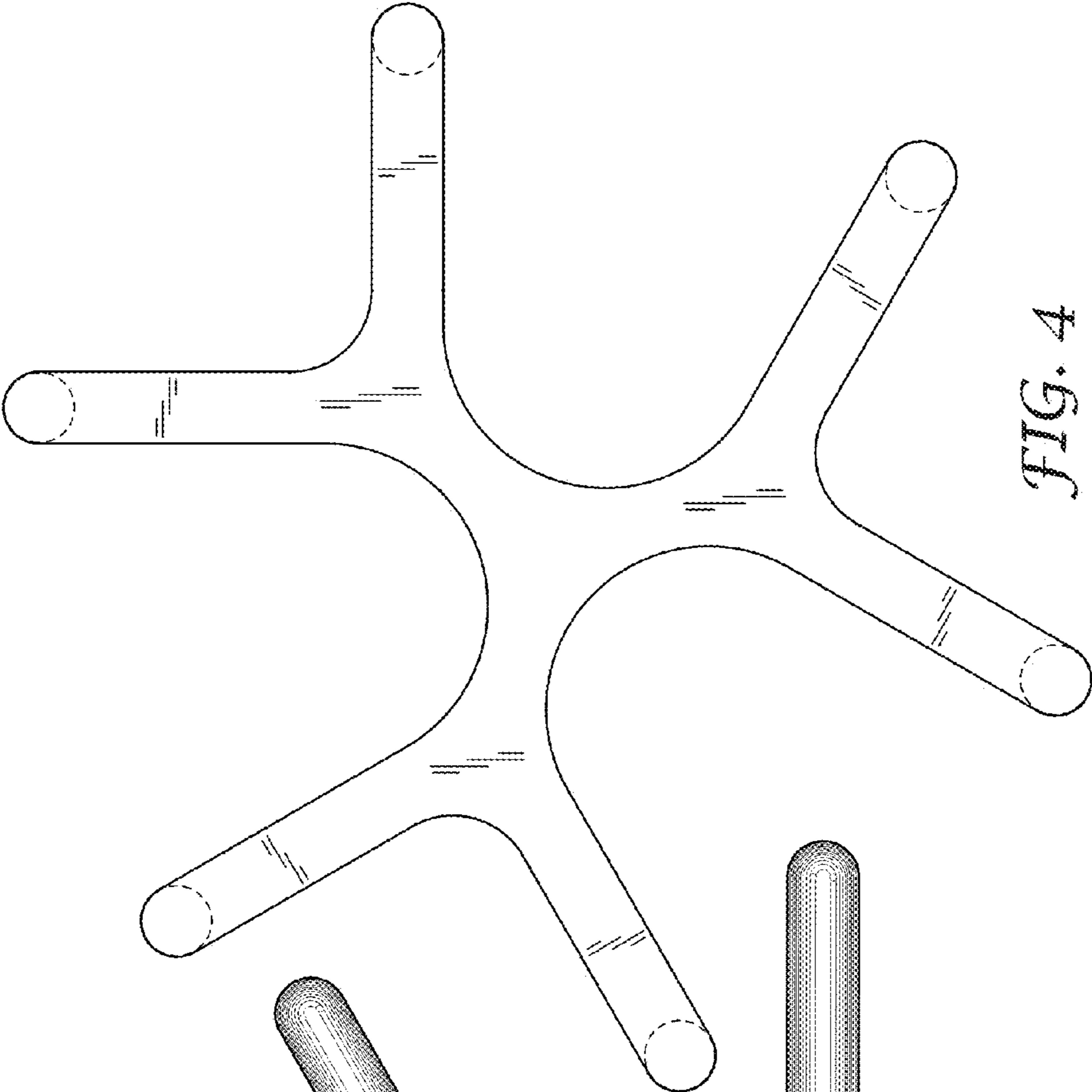


FIG. 4

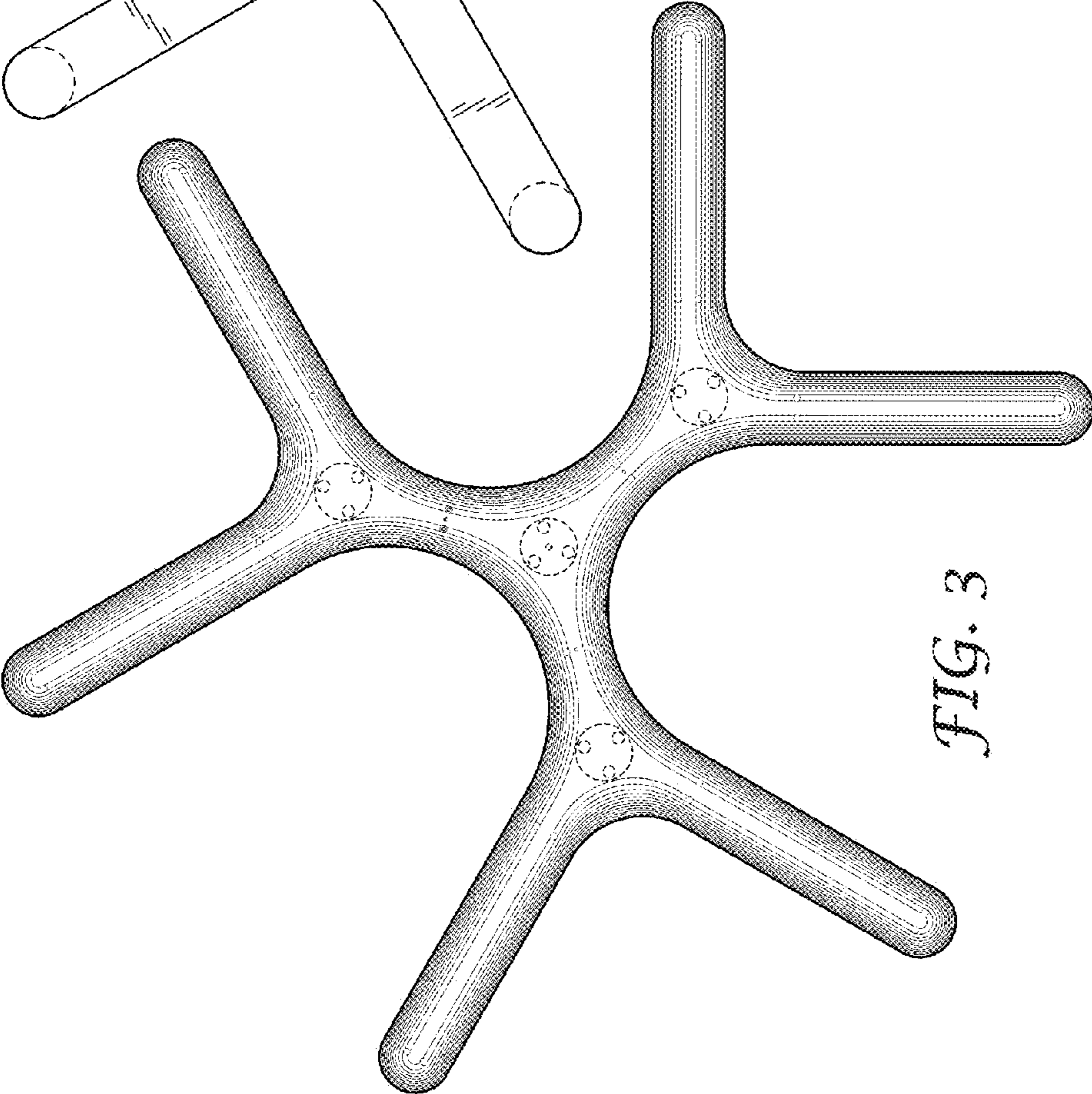


FIG. 3

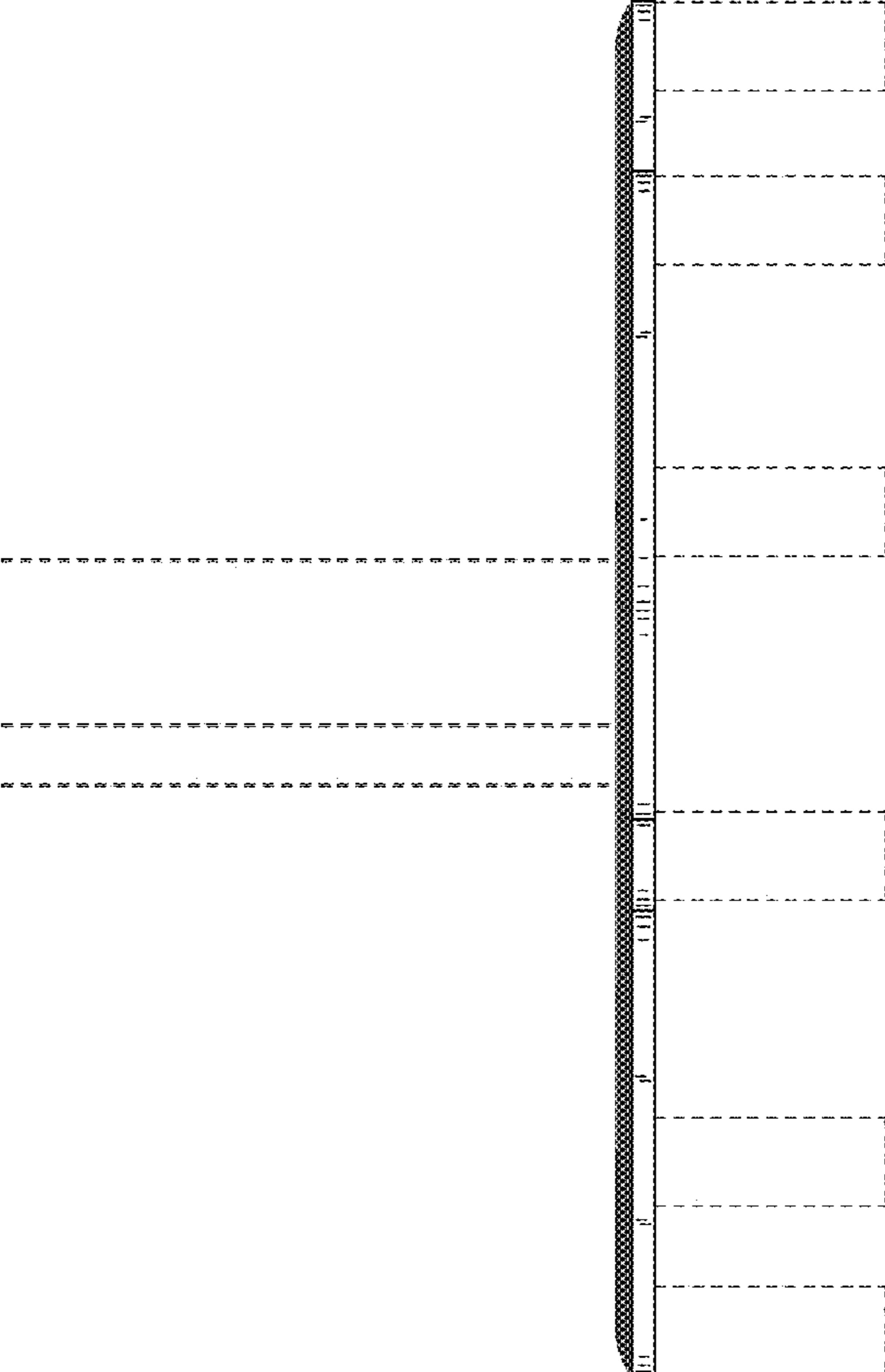


FIG. 5

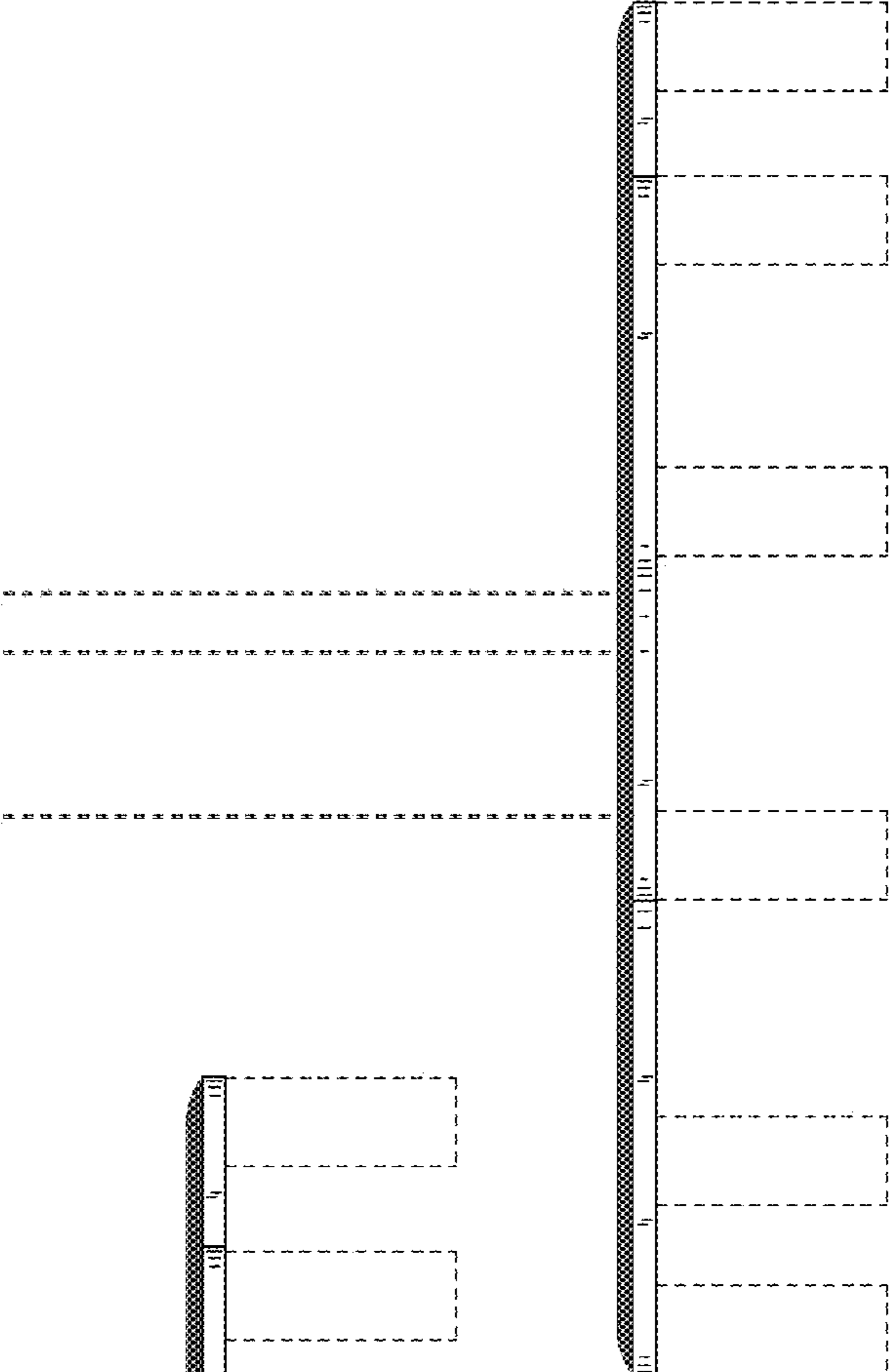


FIG. 6

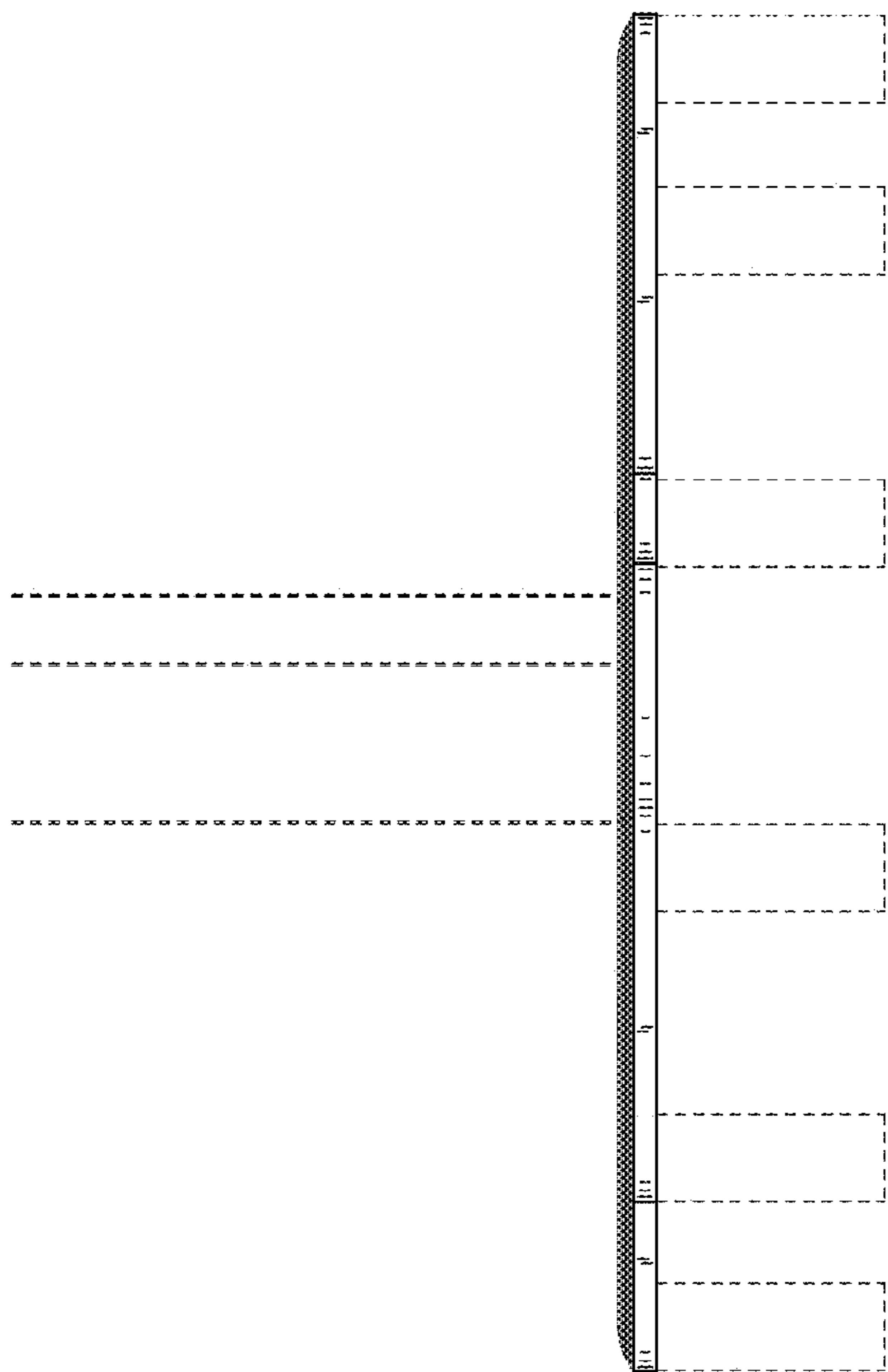


FIG. 7

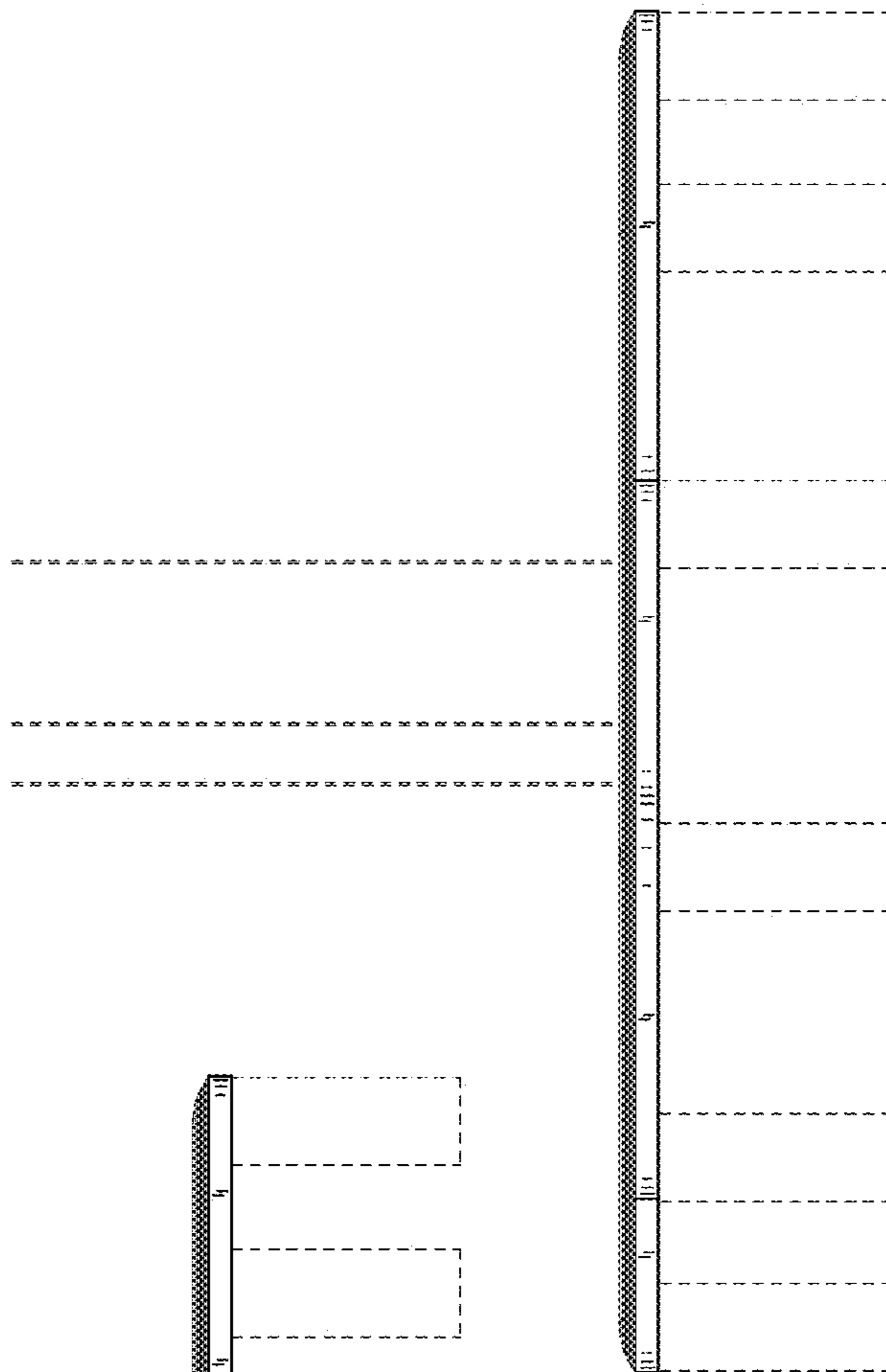


FIG. 8