



US00D743092S

(12) **United States Design Patent**
Paulsen et al.

(10) **Patent No.:** **US D743,092 S**

(45) **Date of Patent:** **** Nov. 10, 2015**

(54) **THREE-POSITION LIGHT FIXTURE SUPPORT**

(71) Applicant: **3M INNOVATIVE PROPERTIES COMPANY**, St. Paul, MN (US)

(72) Inventors: **Gary H. Paulsen**, St. Paul, MN (US); **Gina M. Albanese**, Minneapolis, MN (US); **Bryon E. Trotter**, St. Paul, MN (US); **Todd E. Bracher**, Brooklyn, NY (US)

(73) Assignee: **3M Innovative Properties Company**, St. Paul, MN (US)

(**) Term: **14 Years**

(21) Appl. No.: **29/483,972**

(22) Filed: **Mar. 5, 2014**

(51) **LOC (10) Cl.** **26-99**

(52) **U.S. Cl.**
USPC **D26/142**

(58) **Field of Classification Search**

USPC D26/24, 39, 59, 67, 68, 69, 70, 71, 72, D26/74, 77, 80, 88, 89, 138, 139, 140, 141, D26/142, 151, 152; 313/115, 548, 557, 569, 313/578, 315; 362/126, 294, 355
CPC F24S 4/001; F24S 4/005; F24S 8/00; F24S 8/04; F24S 8/043; F24S 8/046; F24S 8/06-8/065; F24S 13/02; F24S 13/04; F24S 13/06

See application file for complete search history.

(56) **References Cited**

U.S. PATENT DOCUMENTS

D75,012 S * 5/1928 Johnson D26/150

D565,228 S * 3/2008 Lovegrove D26/72
D586,029 S * 2/2009 Copeland D26/83
D590,987 S * 4/2009 Dunn et al. D26/141
D592,793 S * 5/2009 Chandler D26/141
D611,645 S * 3/2010 Copeland D26/76

(Continued)

OTHER PUBLICATIONS

“Lattice LED Semi-Flushmount/Pendant”, <http://www.lumens.com/lattice-led-semi-flushmount/pendant-by-sonneman-lighting-uu511230.html#start=96&sz=96&cgid=11&prefn1=Style&prefv1=Contemporary&tileIndex=17>, retrieved Mar. 5, 2014, 2 pages.

(Continued)

Primary Examiner — George D Kirschbaum

Assistant Examiner — Natasha Vujcic

(74) *Attorney, Agent, or Firm* — Philip Y. Dahl

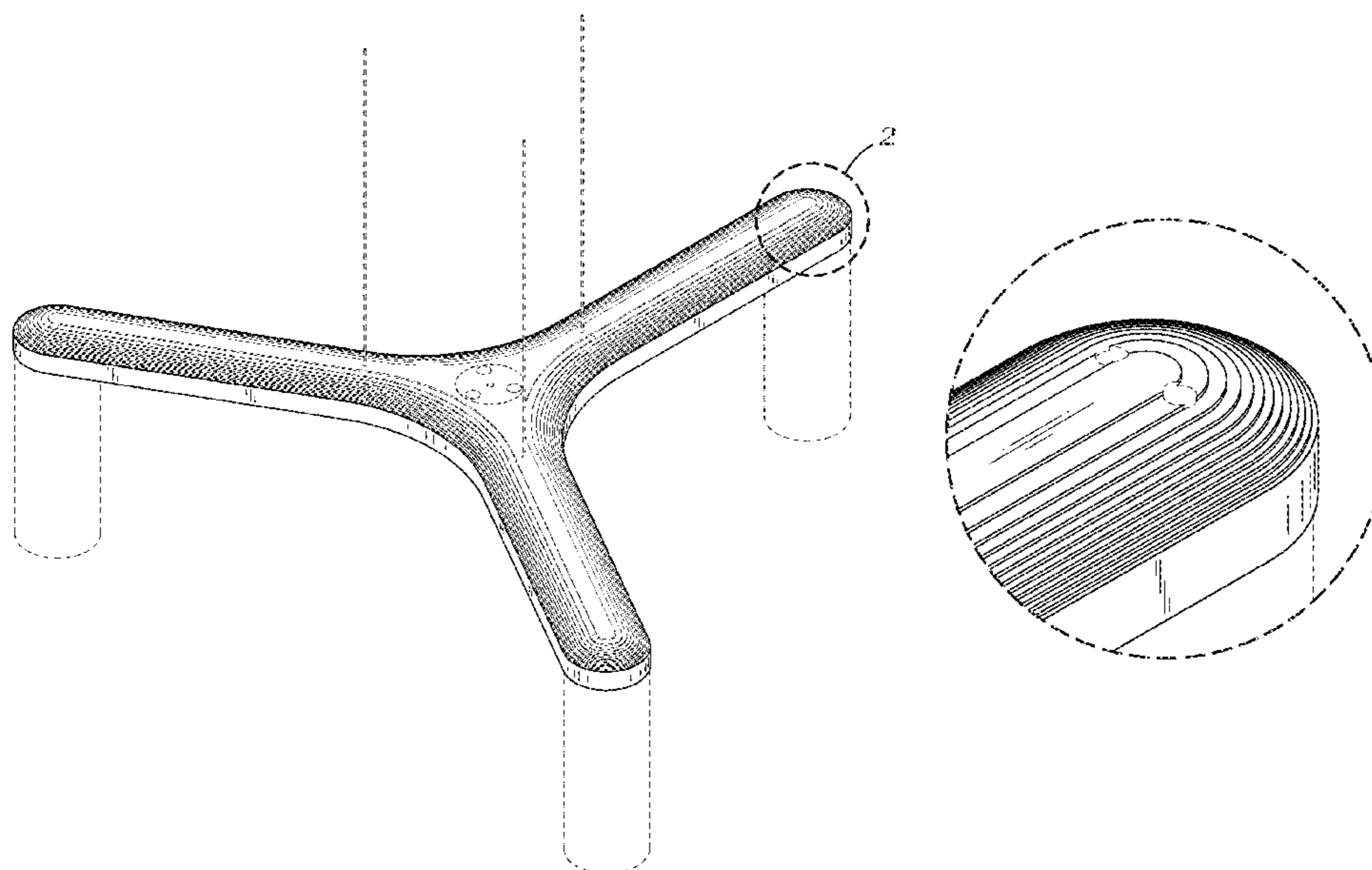
(57) **CLAIM**

The ornamental design for a three-position light fixture support, as shown and described.

DESCRIPTION

FIG. 1 is a front perspective view of a three-position light fixture support, showing our new design; FIG. 2 is an enlarged detail view of FIG. 1; FIG. 3 is a front view thereof; FIG. 4 is a top view thereof; FIG. 5 is a bottom view thereof; FIG. 6 is a back view thereof; and, FIG. 7 is a left side view thereof; the right side view being a mirror image of the left side view. The broken lines in the drawings illustrates portions of the three-position light fixture support and forms no part of the claimed design.

1 Claim, 4 Drawing Sheets



(56)

References Cited

OTHER PUBLICATIONS

U.S. PATENT DOCUMENTS

D638,983	S	*	5/2011	Martin	D26/144
D659,884	S	*	5/2012	Sabernig	D26/88
D664,288	S	*	7/2012	De Lucchi	D26/138
D665,941	S	*	8/2012	Orozco	D26/144
D674,528	S	*	1/2013	Paz	D26/72
D685,123	S	*	6/2013	Dolan	D26/81
D693,045	S	*	11/2013	Kirschhoffer et al.	D26/88
D700,390	S	*	2/2014	Sabernig	D26/90
D712,089	S	*	8/2014	Rogers et al.	D26/142
D714,489	S	*	9/2014	Trotter et al.	D26/140

“Blocs Suspension”, <http://www.lumens.com/blocs-suspension-by-et2-lighting-uu134372.html#start=192&sz=96&cgid=3&prefn1=Style&prefv1=Contemporary&tileIndex=57>, retrieved Mar. 5, 2014, 2 pages.

“LED Net by Michele De Lucchi and Alberto Nason for Artemide (IT)”, <http://www.dailytonic.com/led-net-by-michele-de-lucchi-and-alberto-nason-for-artemide-it/>, retrieved on Mar. 5, 2014, 2 pages.

* cited by examiner

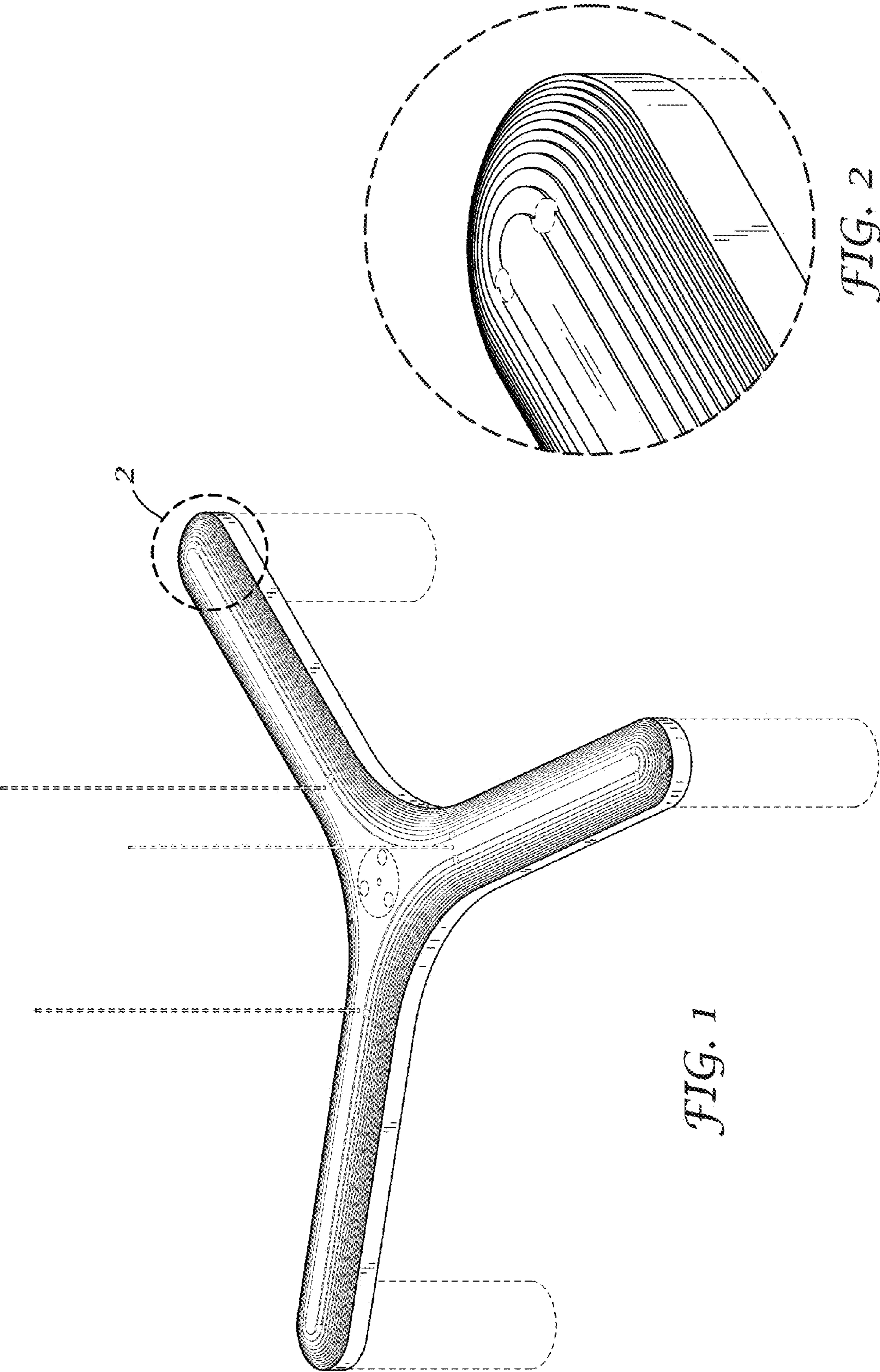


FIG. 1

FIG. 2

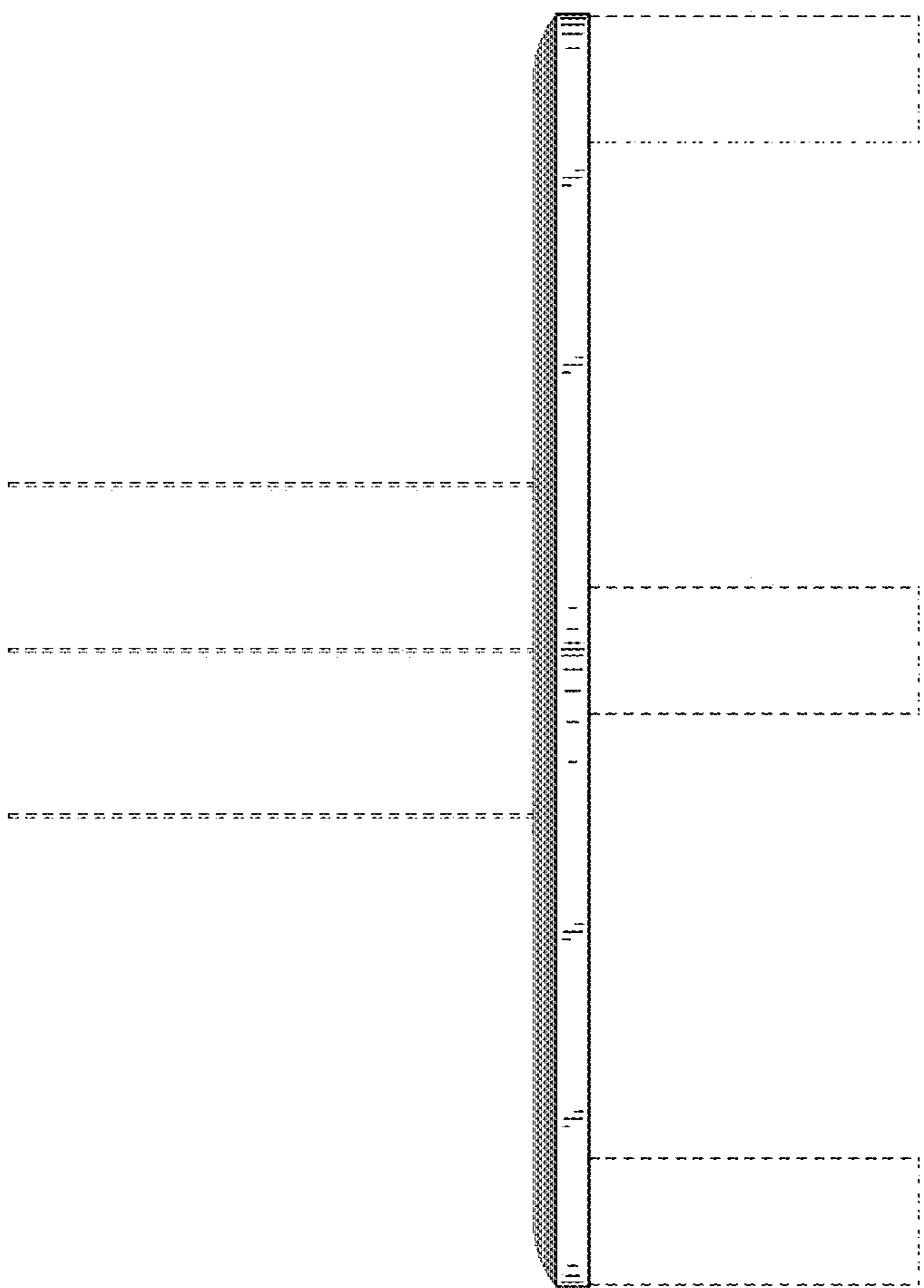


FIG. 3

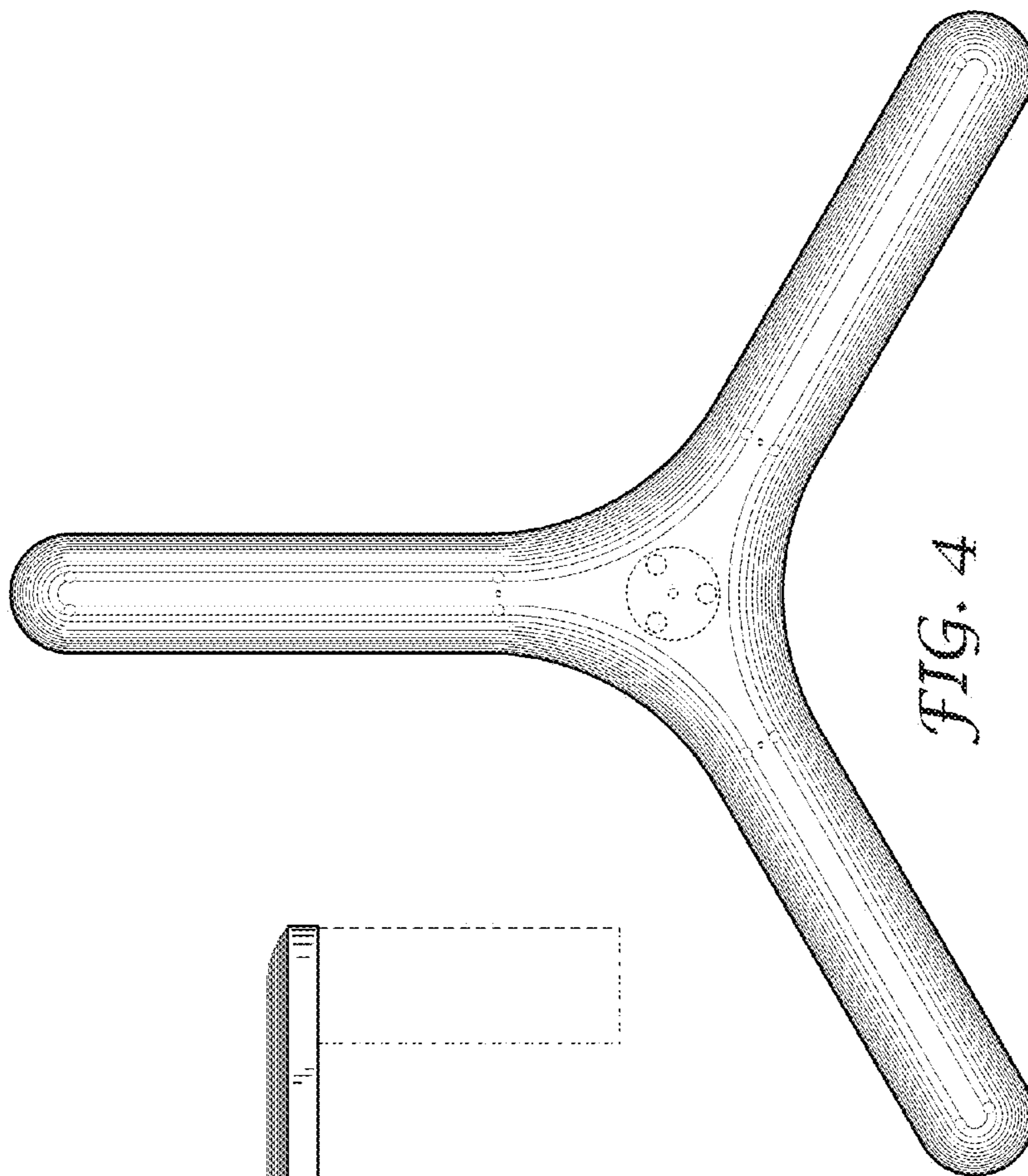


FIG. 4

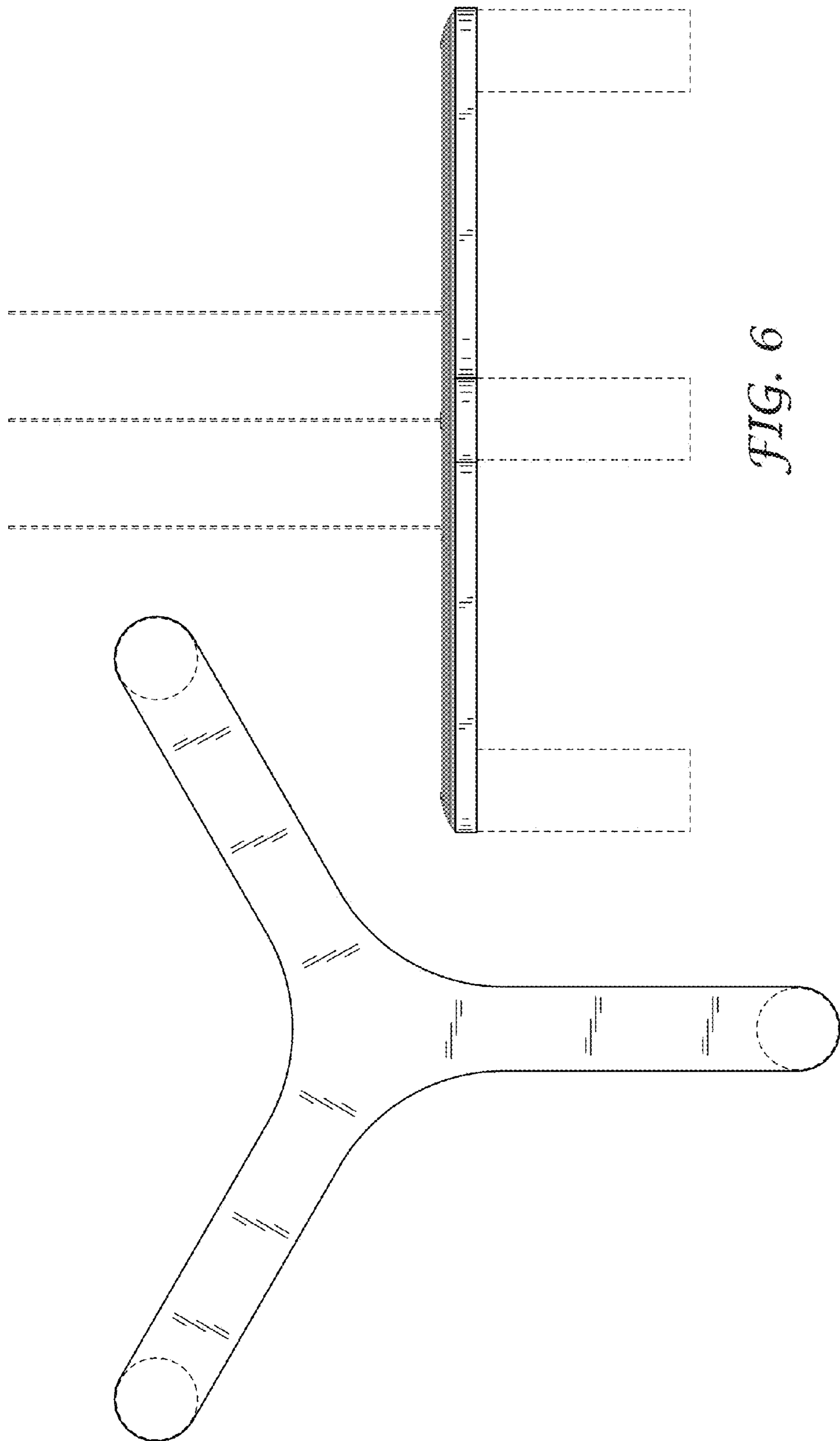


FIG. 6

FIG. 5



FIG. 7