



US00D743090S

(12) **United States Design Patent**
Wilcox et al.

(10) **Patent No.:** **US D743,090 S**
(45) **Date of Patent:** **** Nov. 10, 2015**

(54) **LIGHTING APPARATUS**

- (71) Applicant: **Cree, Inc.**, Durham, NC (US)
- (72) Inventors: **Kurt S. Wilcox**, Libertyville, IL (US);
John W. Durkee, Raleigh, NC (US);
James Michael Lay, Apex, NC (US)
- (73) Assignee: **Cree, Inc.**, Durham, NC (US)
- (**) Term: **14 Years**
- (21) Appl. No.: **29/492,523**
- (22) Filed: **May 30, 2014**

Related U.S. Application Data

- (63) Continuation-in-part of application No. 13/842,521, filed on Mar. 15, 2013, and a continuation-in-part of application No. PCT/US2014/013937, filed on Jan. 30, 2014.
- (51) **LOC (10) Cl.** **26-99**
- (52) **U.S. Cl.**
USPC **D26/120**
- (58) **Field of Classification Search**
USPC D26/9, 10, 12, 13, 15, 16, 24, 51, 61,
D26/72, 76, 80, 81, 85, 86, 88, 90, 113, 118,
D26/119, 120, 122, 128, 129, 138, 143,
D26/144; D13/180
CPC . F21Y 2101/02; F21V 29/2212; F21V 21/04;
F21V 29/004; F21S 8/04; F21S 8/026
See application file for complete search history.

(56) **References Cited**

U.S. PATENT DOCUMENTS

- 2,401,635 A * 6/1946 Guth 362/224
- D321,407 S * 11/1991 Heidmann D26/72

(Continued)

FOREIGN PATENT DOCUMENTS

- EP 0940628 A2 * 9/1999 F21V 17/00
- EP 1359368 A2 * 11/2003 F21S 8/04

OTHER PUBLICATIONS

44W LED, image post date 2013, site visited Jan. 8, 2015, (online),
<<http://www.nobes-panellight.com/cn/products/24.htm>>.*

(Continued)

Primary Examiner — Kevin Rudzinski

Assistant Examiner — Sean D Lough

(74) *Attorney, Agent, or Firm* — McCracken & Gillen LLC

(57) **CLAIM**

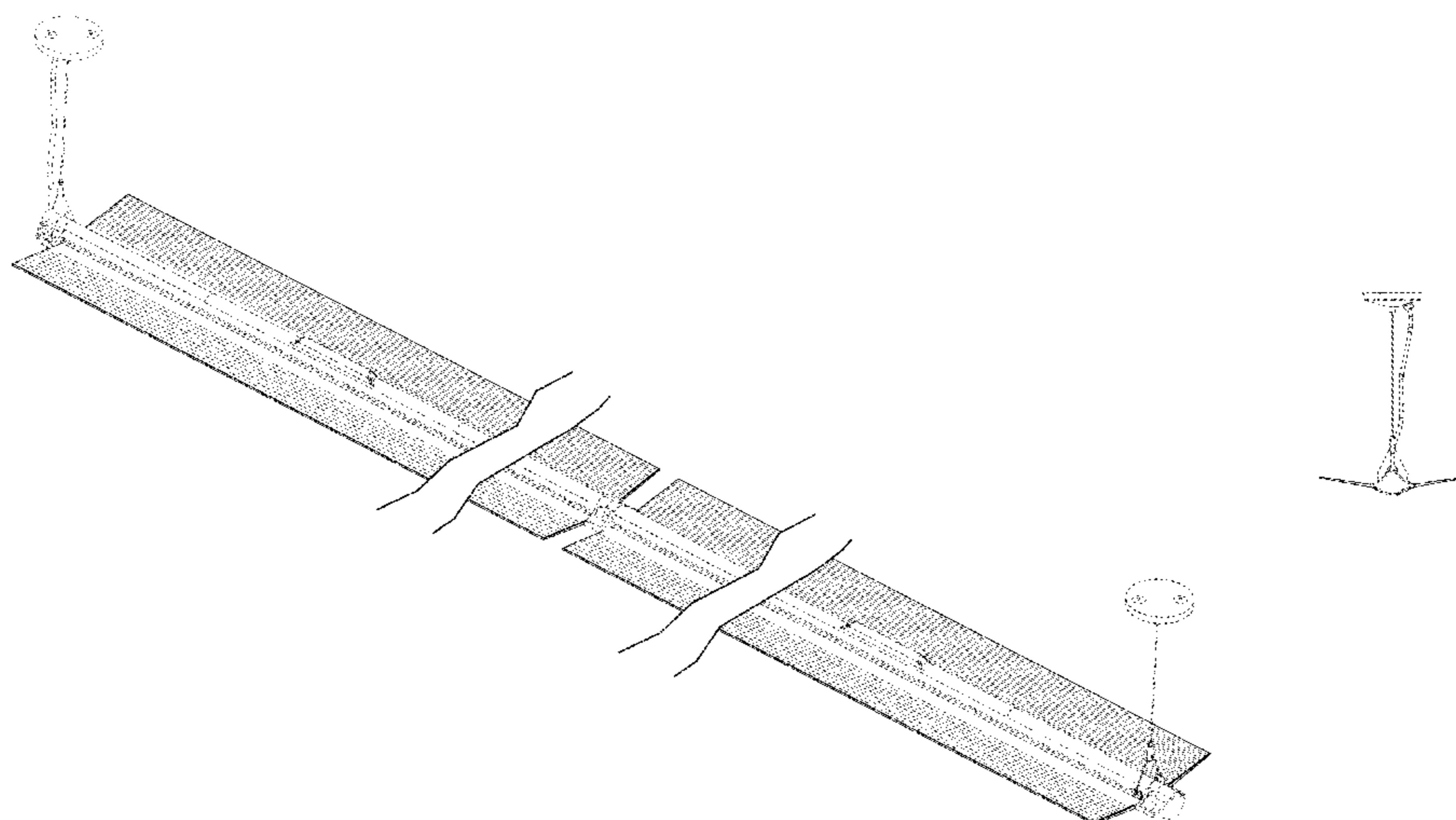
The ornamental design for a lighting apparatus, as shown and described herein.

DESCRIPTION

FIG. 1 is a top isometric view of an ornamental design for a lighting apparatus;
 FIG. 2 is a bottom isometric view of the lighting apparatus of FIG. 1;
 FIG. 3 is a front elevation view of the lighting apparatus of FIG. 1;
 FIG. 4 is a back elevation view the lighting apparatus of FIG. 1;
 FIG. 5 is left elevation view of the lighting apparatus of FIG. 1;
 FIG. 6 is a right elevation view of the lighting apparatus of FIG. 1;
 FIG. 7 is a top plan view of the lighting apparatus of FIG. 1;
 and,
 FIG. 8 is a bottom plan view of the lighting apparatus of FIG. 1.

The broken lines (where present) in all FIGS. illustrate portions of the lighting apparatus that form no part of the claimed design. The lighting apparatus is shown with a break in the middle of the design. The portions of the design not shown form no part of the claimed design.

1 Claim, 4 Drawing Sheets



(56)

References Cited

U.S. PATENT DOCUMENTS

D332,318 S * 1/1993 Reding D26/24
 5,357,413 A * 10/1994 Mandall 362/300
 D364,478 S * 11/1995 Pesau D26/76
 D401,000 S * 11/1998 Herst D26/76
 D414,287 S * 9/1999 Sapper D26/76
 6,161,939 A * 12/2000 Bansbach 362/223
 D446,333 S * 8/2001 Frois D26/76
 D459,014 S * 6/2002 Chen D26/85
 D463,061 S * 9/2002 Ludwig D26/118
 D465,049 S * 10/2002 Ludwig D26/78
 D466,244 S * 11/2002 Lewis et al. D26/76
 D472,667 S * 4/2003 Herst et al. D26/118
 D477,105 S * 7/2003 Herst et al. D26/76
 D483,510 S * 12/2003 Fritze et al. D26/75
 D496,121 S * 9/2004 Santoro D26/74
 D496,748 S * 9/2004 Herst et al. D26/77
 D500,882 S * 1/2005 Herst et al. D26/118
 D505,221 S * 5/2005 Hetfield D26/76
 D511,221 S * 11/2005 Zucker D26/76
 D514,731 S * 2/2006 Engel D26/88
 D520,666 S * 5/2006 Kotovsky et al. D26/76
 D538,462 S * 3/2007 Verfuert et al. D26/118
 D544,628 S * 6/2007 Quintal D26/76
 D563,036 S * 2/2008 Miyairi et al.
 D565,207 S * 3/2008 Uemoto et al. D26/24
 D565,778 S * 4/2008 Pedersen D26/84
 D568,529 S * 5/2008 Colleran, Jr. et al.
 D570,003 S * 5/2008 Uemoto et al. D26/24
 D575,898 S * 8/2008 Tran et al.
 D600,394 S * 9/2009 Ambruster D26/91
 D604,002 S * 11/2009 Santoro D26/76
 D608,042 S * 1/2010 Wu et al. D26/76
 D616,138 S * 5/2010 Lasthein et al. D26/76
 D617,489 S * 6/2010 Santoro
 D618,842 S * 6/2010 Ngai et al.
 D621,086 S * 8/2010 Purcell D26/76
 D622,894 S * 8/2010 Ngai et al.
 D623,793 S * 9/2010 Ngai et al.
 D626,268 S * 10/2010 Santoro D26/76
 D631,601 S * 1/2011 Lodhie
 D641,923 S * 7/2011 Radchenko et al.
 D642,725 S * 8/2011 Kong et al.
 D645,194 S * 9/2011 Budike, Jr. et al.
 D646,825 S * 10/2011 Tolbert et al. D26/70
 D649,282 S * 11/2011 McDonald et al. D26/118

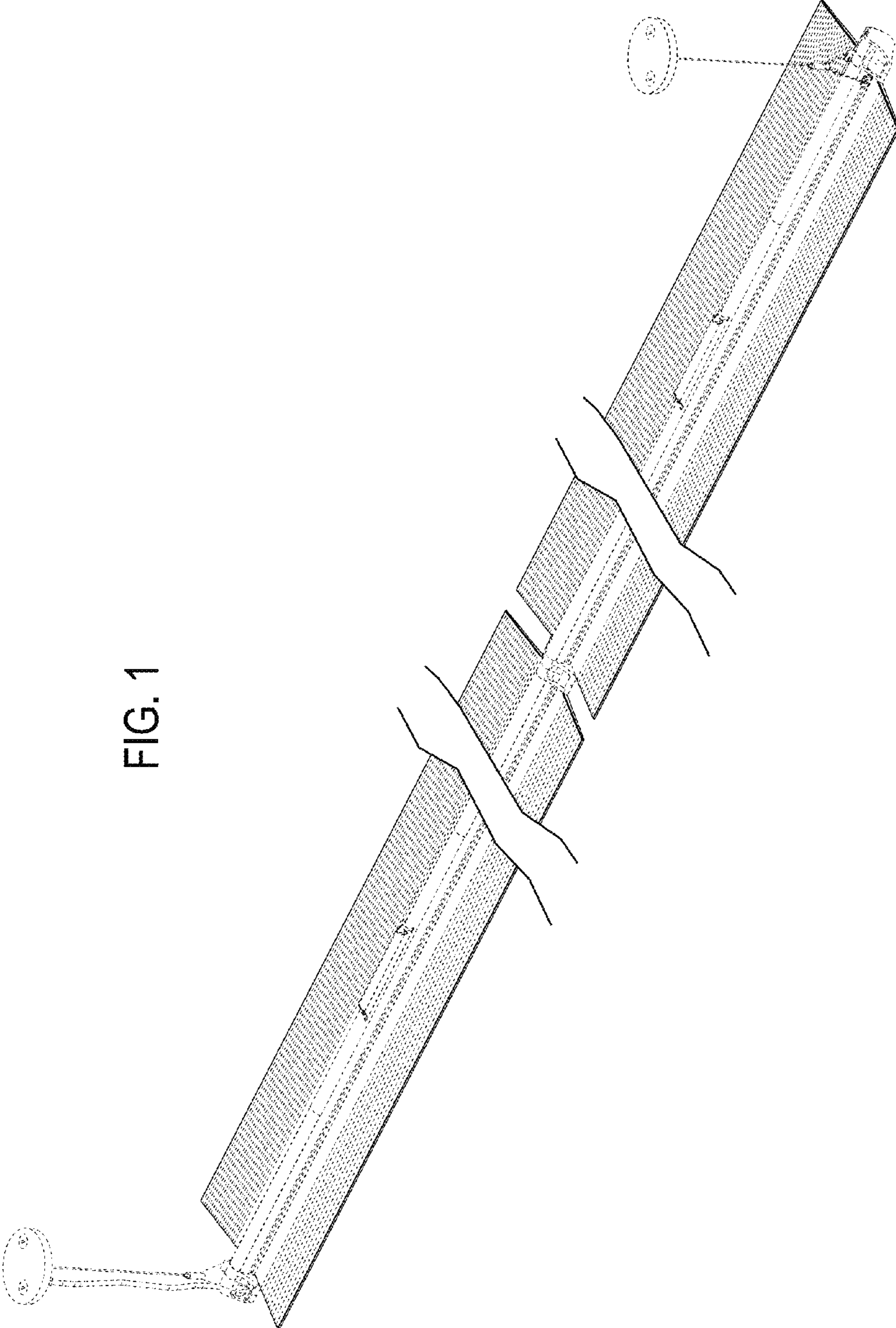
D649,677 S * 11/2011 Wegger et al. D26/90
 D649,686 S * 11/2011 Trzesniowski D26/138
 D653,791 S * 2/2012 Toyohisa et al. D26/80
 D654,618 S * 2/2012 Kong et al.
 D655,442 S * 3/2012 Sabernig D26/88
 D659,880 S * 5/2012 Maxik et al.
 RE43,456 E * 6/2012 Verfuert et al. D26/118
 D662,255 S * 6/2012 Kluś
 D662,256 S * 6/2012 Klu D26/138
 D662,643 S * 6/2012 Takahashi et al.
 D670,422 S * 11/2012 Siekmann
 D671,258 S * 11/2012 Ferrier et al. D26/120
 D679,444 S * 4/2013 Vasylyev
 D681,262 S * 4/2013 Lee
 D689,647 S * 9/2013 Brott et al. D26/88
 D695,447 S * 12/2013 Speier et al.
 D703,361 S * 4/2014 Kondou et al. D26/85
 D704,374 S * 5/2014 Notaney et al. D26/118
 D707,808 S * 6/2014 Wang D23/377
 D708,388 S * 7/2014 Lee D26/120
 2006/0158879 A1 * 7/2006 Clark et al. 362/223
 2010/0180481 A1 * 7/2010 Parizek et al. 40/610
 2014/0347885 A1 * 11/2014 Wilcox et al. 362/612

OTHER PUBLICATIONS

Ceiling fan blade, image post date 2007, site visited Jan. 13, 2015, (online), <<http://www.terrycolon.com/1features/fly.html>>.*
 Foscarini Falena Wall or Ceiling Light from Wayback Machine, image post date Jan. 8, 2015, site visited Jan. 8, 2015, (online), <http://web.archive.org/web/20031127124549*/http://www.ylighting.com/foscarini.html>.*
 Foscarini Falena Wall or Ceiling Light, image post date Nov. 27, 2003, site visited Jan. 8, 2015, (online), <<http://www.ylighting.com/foscarini.html>>.*
 LED Linear Light Fixture, image post date Nov. 18, 2013, site visited Jan. 9, 2015, (online), <<http://www.homedepot.com/p/Cree-40-in-LED-Linear-Light-Fixture-RL40-40L-35K/204336646>>.*
 Butterfly Shape Ceiling Pendant Lamp, image post date May 16, 2010, site visited Jan. 8, 2015, (online), <<http://blog.minisign.cn/tag/led-light/>>.*
 Butterfly Shape Ceiling Pendant Lamp from Wayback Machine, image post date Jan. 8, 2015, site visited Jan. 8, 2015, (online), <http://web.archive.org/web/20100401000000*/http://blog.minisign.cn/tag/led-light/>.*

* cited by examiner

FIG. 1



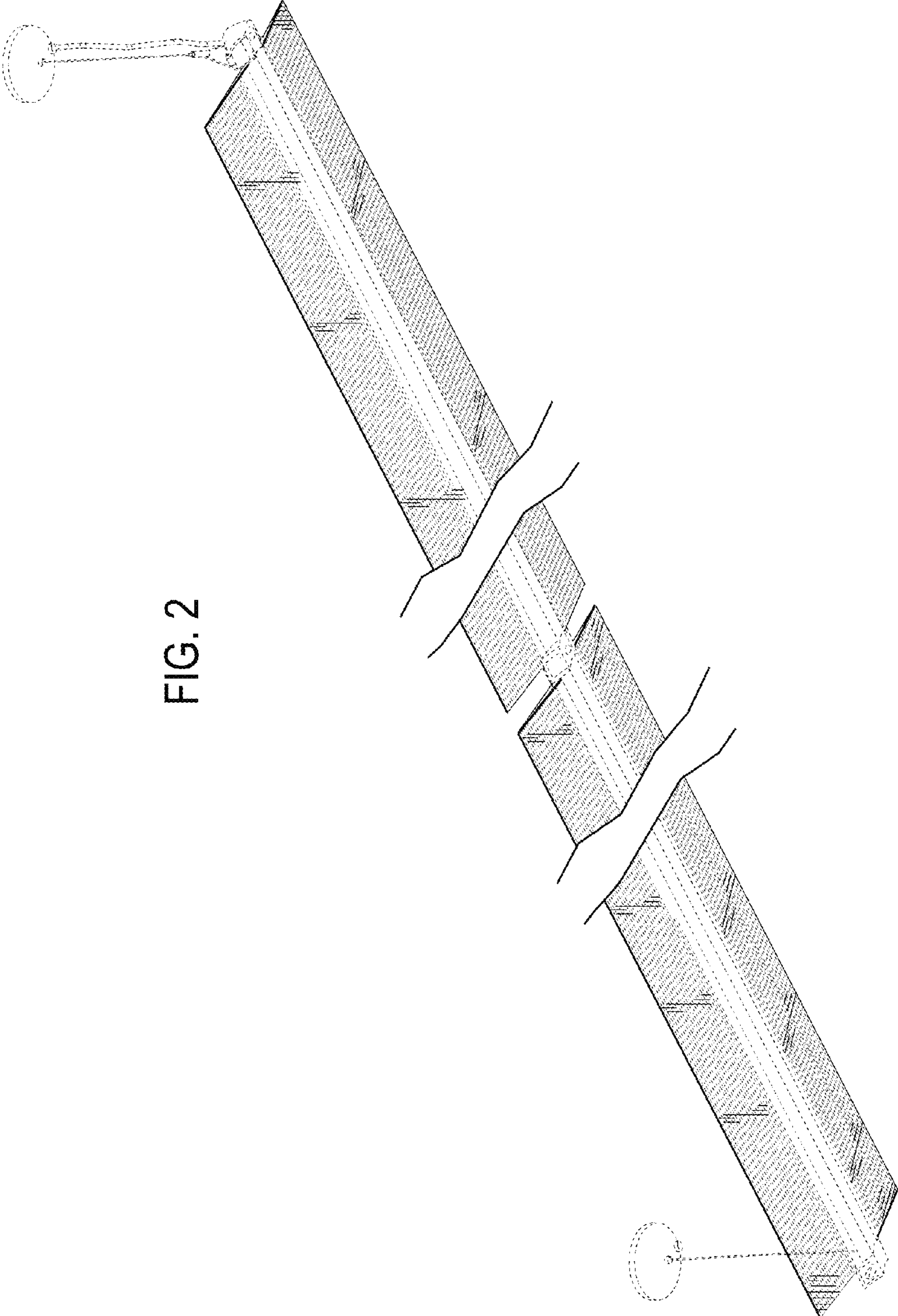


FIG. 2

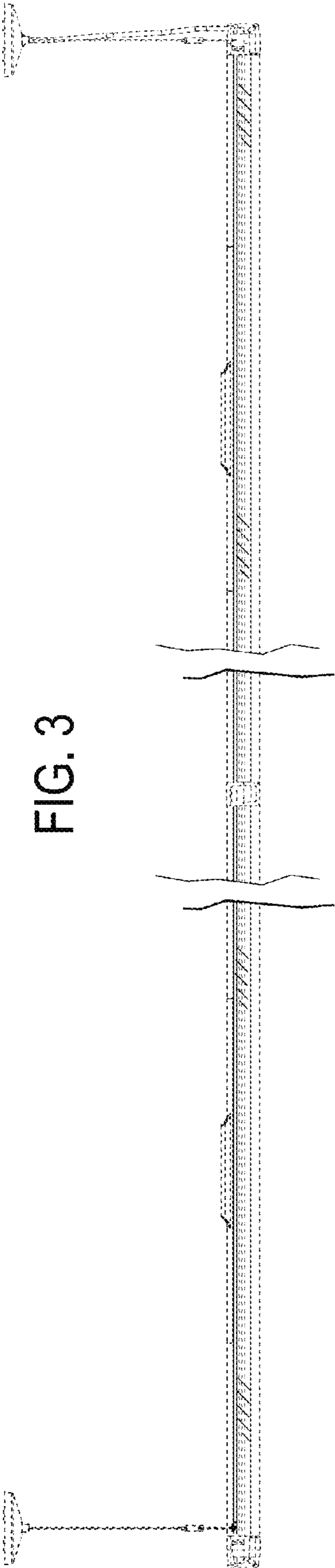


FIG. 3

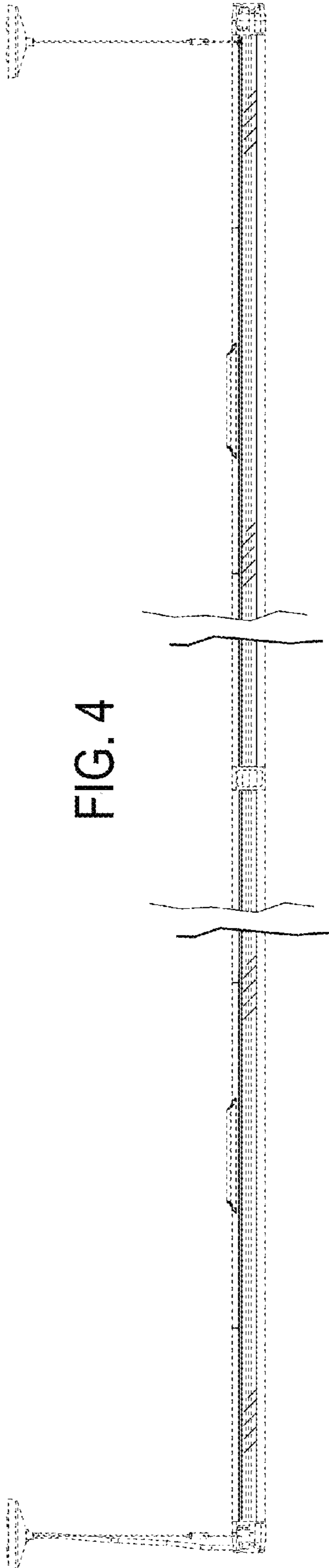


FIG. 4

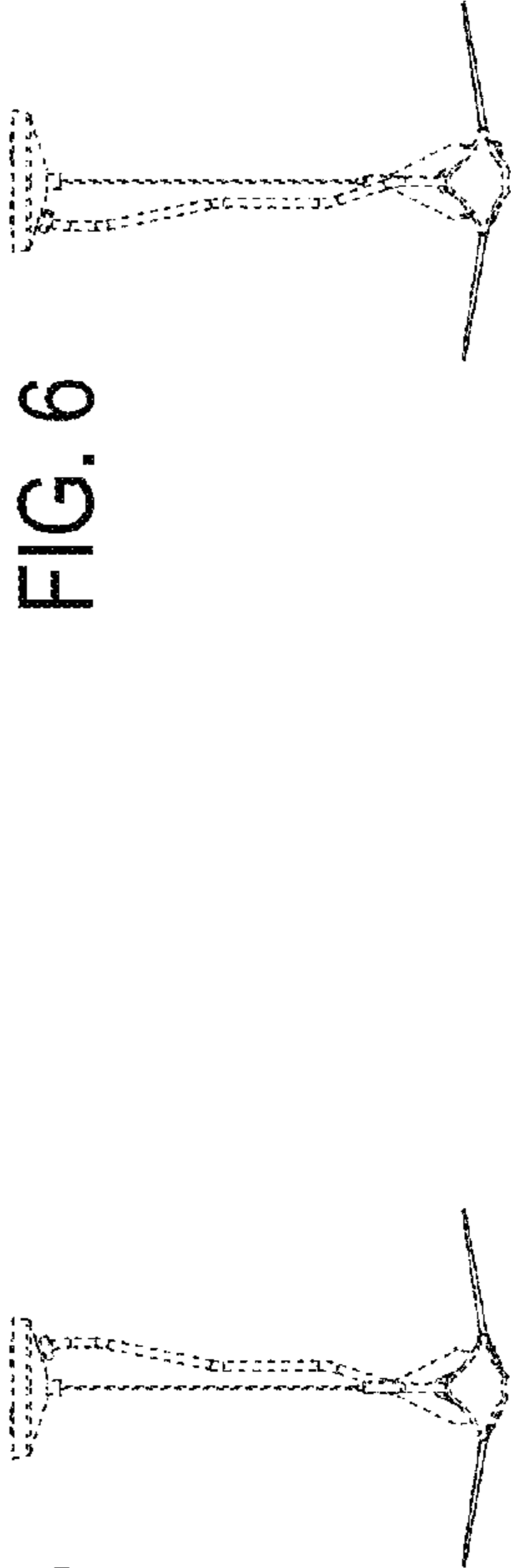


FIG. 5

FIG. 6

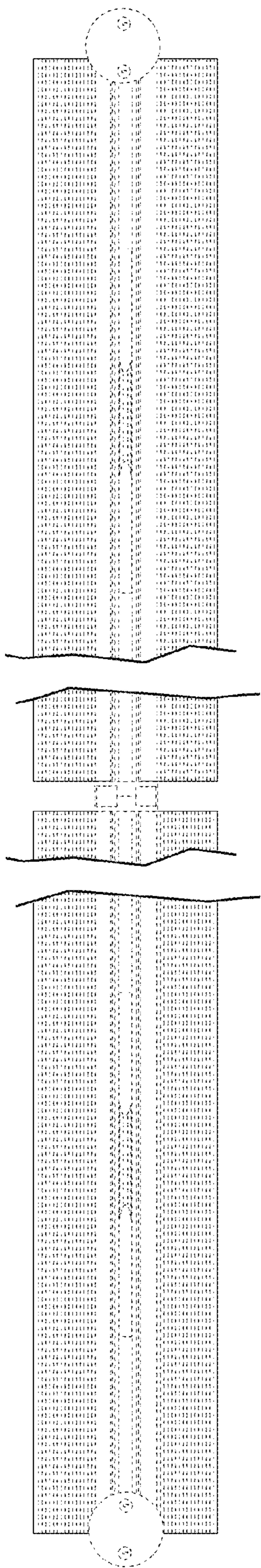


FIG. 7

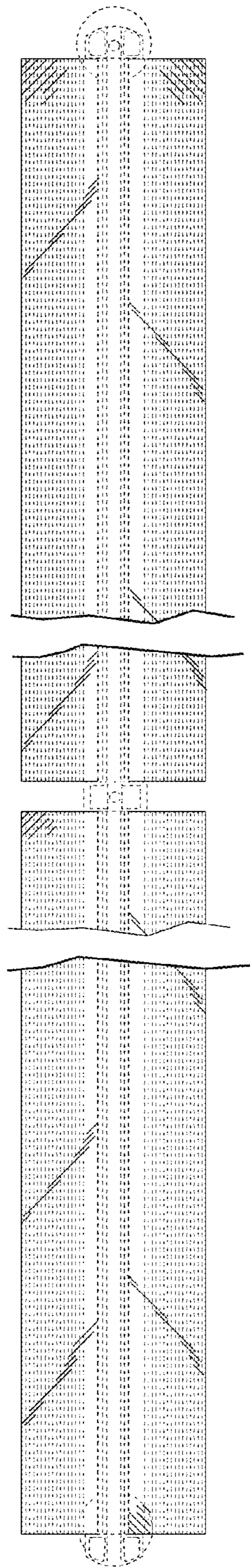


FIG. 8