



US00D743089S

(12) **United States Design Patent**
Sugihara et al.

(10) **Patent No.:** **US D743,089 S**

(45) **Date of Patent:** **** Nov. 10, 2015**

(54) **ILLUMINATING PRISM**

(71) Applicant: **OLYMPUS CORPORATION**, Tokyo (JP)

(72) Inventors: **Ryohei Sugihara**, Tokyo (JP); **Seiji Tatsuta**, Tokyo (JP); **Teruo Tomita**, Tokyo (JP)

(73) Assignee: **OLYMPUS CORPORATION**, Tokyo (JP)

(**) Term: **14 Years**

(21) Appl. No.: **29/438,278**

(22) Filed: **Nov. 28, 2012**

(30) **Foreign Application Priority Data**

May 31, 2012 (JP) 2012-012961

(51) **LOC (10) Cl.** **26-99**

(52) **U.S. Cl.**
USPC **D26/113; D26/122**

(58) **Field of Classification Search**
USPC D26/9, 10, 12, 13, 15, 16, 24, 51, 61, D26/72, 76, 80, 81, 85, 86, 88, 90, 113, 118, D26/119, 120, 122, 128, 129, 138, 143, D26/144; D13/180; D10/93, 114
CPC B60Q 1/04; B60Q 1/26; F21S 8/026; F21S 8/04; F21V 29/004; F21V 21/02; F21V 21/04; F21V 29/2212; F21Y 2101/02
See application file for complete search history.

(56) **References Cited**

U.S. PATENT DOCUMENTS

1,674,321 A * 6/1928 De Lancey 359/447
2,058,676 A * 10/1936 Foster 359/431
2,166,988 A * 7/1939 Fosdick 359/711
2,359,703 A * 10/1944 Wood 359/472

2,383,347 A * 8/1945 Silge 356/135
2,533,628 A * 12/1950 Rosenberg 40/107
2,594,334 A * 4/1952 Miller 356/331
2,594,698 A * 4/1952 Thomas 359/480
D191,851 S * 11/1961 Lazor D16/135
4,278,339 A * 7/1981 Uchida et al. 396/384
4,623,225 A * 11/1986 Forkner 359/669
4,820,031 A * 4/1989 Kastendieck et al. 313/524
5,072,313 A * 12/1991 Schweitzer et al. 359/529
D325,414 S * 4/1992 Woolsey D21/737
5,689,736 A * 11/1997 Okuyama et al. 396/51

(Continued)

OTHER PUBLICATIONS

High Precision Prism from Wayback Machine, image post date Dec. 23, 2008, site visited Mar. 18, 2015, (online), <<http://web.archive.org/web/20081223020658/http://www.zygo.com/?/opt/components/prisms/>>.*

Primary Examiner — Kevin Rudzinski

Assistant Examiner — Sean D Lough

(74) *Attorney, Agent, or Firm* — Scully, Scott, Murphy & Presser, PC

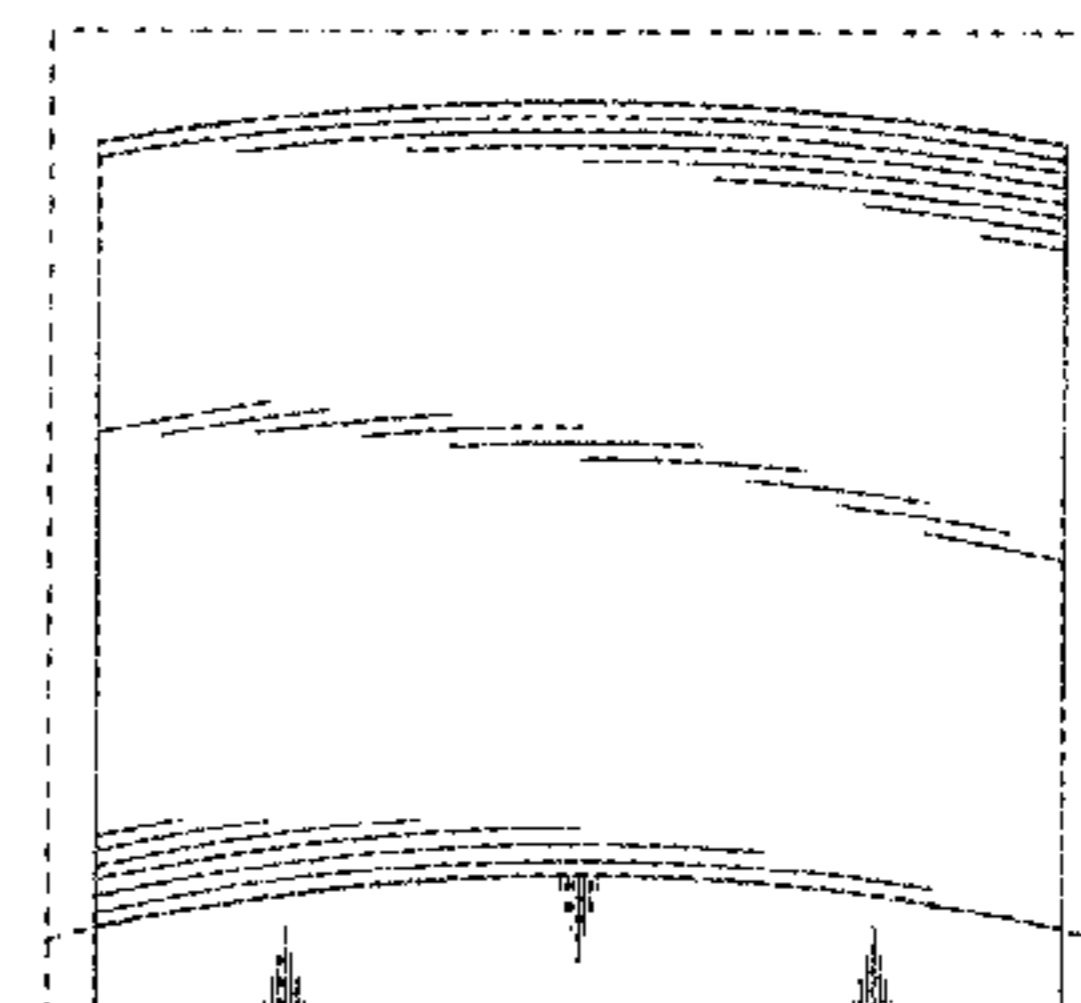
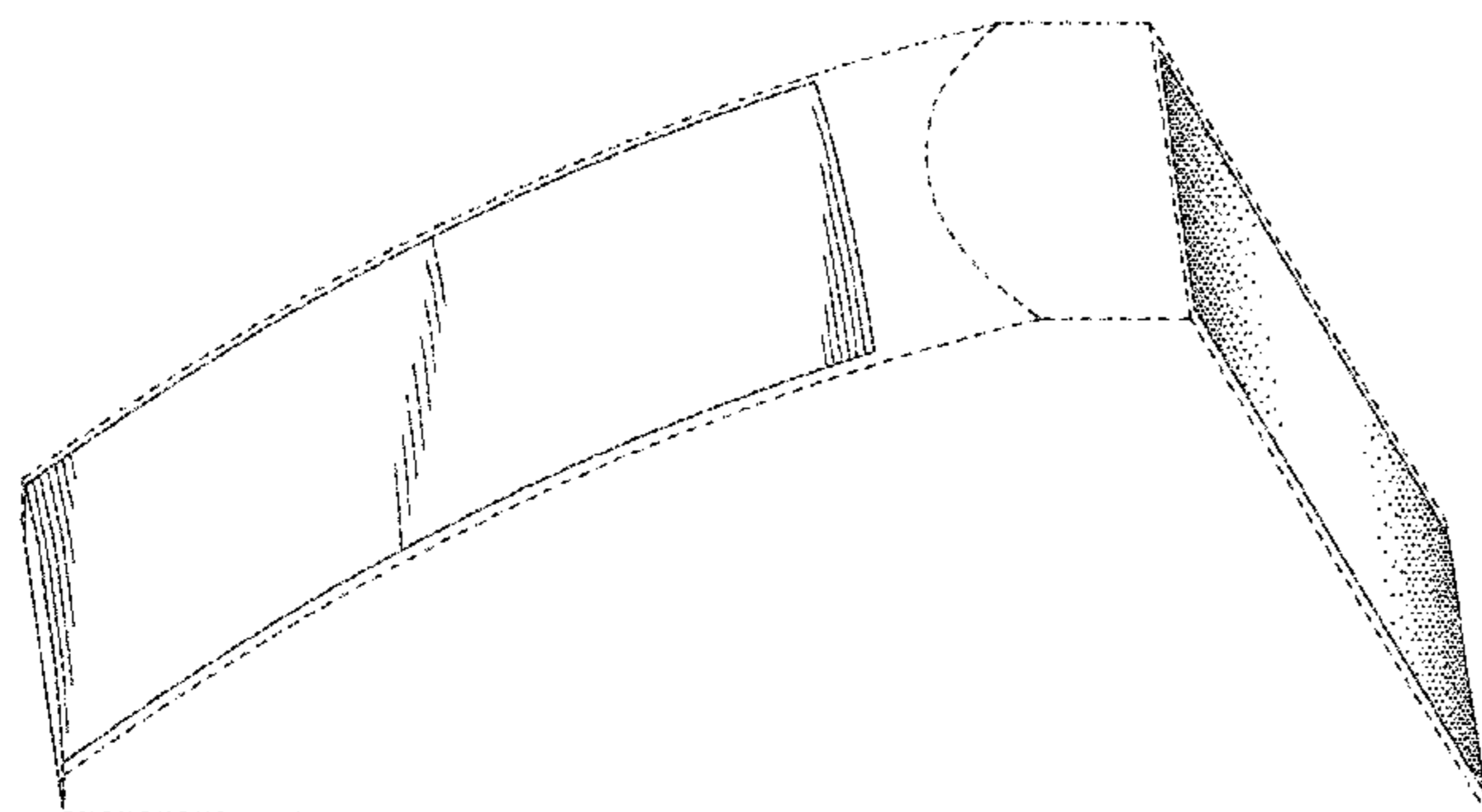
(57) **CLAIM**

The ornamental design for an illuminating prism, as shown and described.

DESCRIPTION

FIG. 1 is a perspective view of an illuminating prism showing our new design;
FIG. 2 is a right side view thereof, the left side view being a mirror image of the right side view;
FIG. 3 is a top view thereof;
FIG. 4 is a rear view thereof, having a sanded surface;
FIG. 5 is a front view thereof, having a mirror surface; and,
FIG. 6 is a bottom view thereof.
The broken lines (where present) in all figures illustrate portions of the illuminating prism that form no part of the claimed design.

1 Claim, 6 Drawing Sheets



(56)

References Cited

U.S. PATENT DOCUMENTS

5,706,136	A *	1/1998	Okuyama et al.	359/630	6,646,812	B2 *	11/2003	Togino	359/631
5,912,769	A *	6/1999	Iizuka et al.	359/631	6,650,448	B2 *	11/2003	Nakamura et al.	359/15
6,028,709	A *	2/2000	Takahashi	359/630	6,654,169	B2 *	11/2003	Appel	359/485.02
6,034,823	A *	3/2000	Togino	359/629	6,704,052	B1 *	3/2004	Togino et al.	348/340
6,084,715	A *	7/2000	Aoki et al.	359/627	6,707,622	B2 *	3/2004	Tominaga	359/831
6,134,051	A *	10/2000	Hayakawa et al.	359/630	6,829,112	B2 *	12/2004	Kobayashi et al.	359/831
6,141,150	A *	10/2000	Ushiyama et al.	359/618	8,092,011	B2 *	1/2012	Sugihara et al.	351/158
D457,540	S *	5/2002	Kieronski	D16/130	8,419,616	B2 *	4/2013	Nagamizu et al.	600/109
6,404,556	B1 *	6/2002	Kobayashi	359/630	8,446,676	B2 *	5/2013	Sugihara et al.	359/643
6,441,978	B1 *	8/2002	Kobayashi et al.	359/834	2009/0009895	A1 *	1/2009	Huang	359/834
6,462,456	B1 *	10/2002	DeCristofaro et al.	310/216.004	2011/0080642	A1 *	4/2011	Watanabe et al.	359/572
					2011/0261457	A1 *	10/2011	Nomaru et al.	359/489.15
					2014/0293465	A1 *	10/2014	Tsuji et al.	359/831

* cited by examiner

FIG. 1

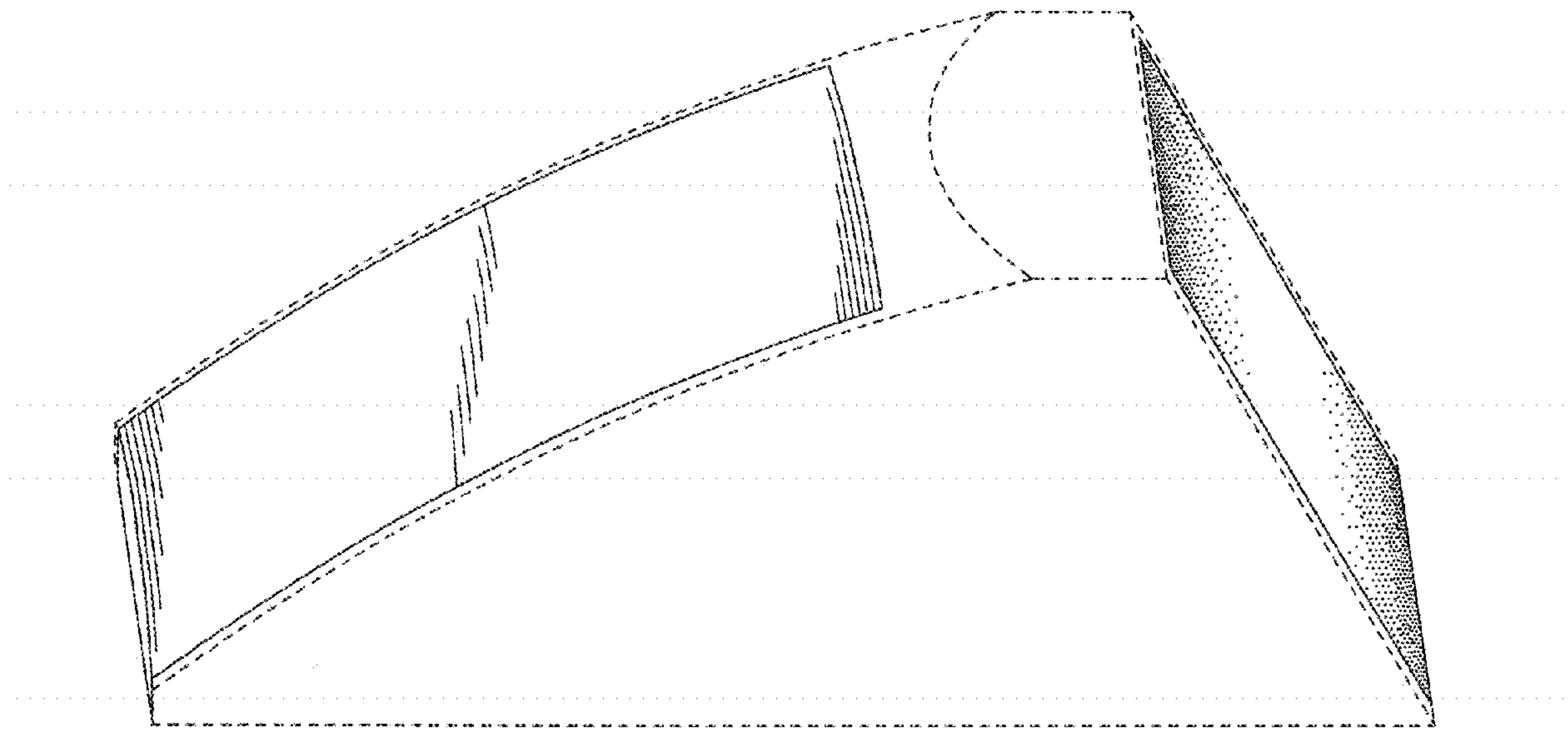


FIG. 2

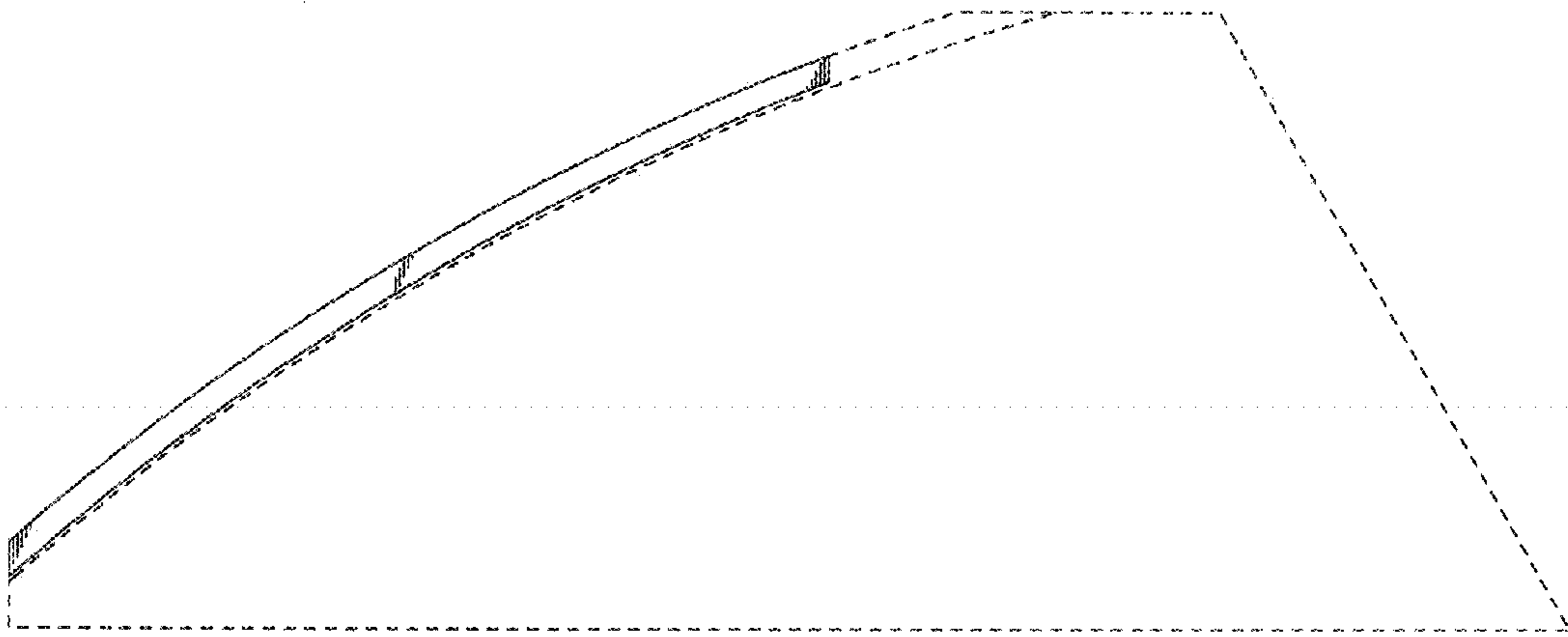


FIG. 3

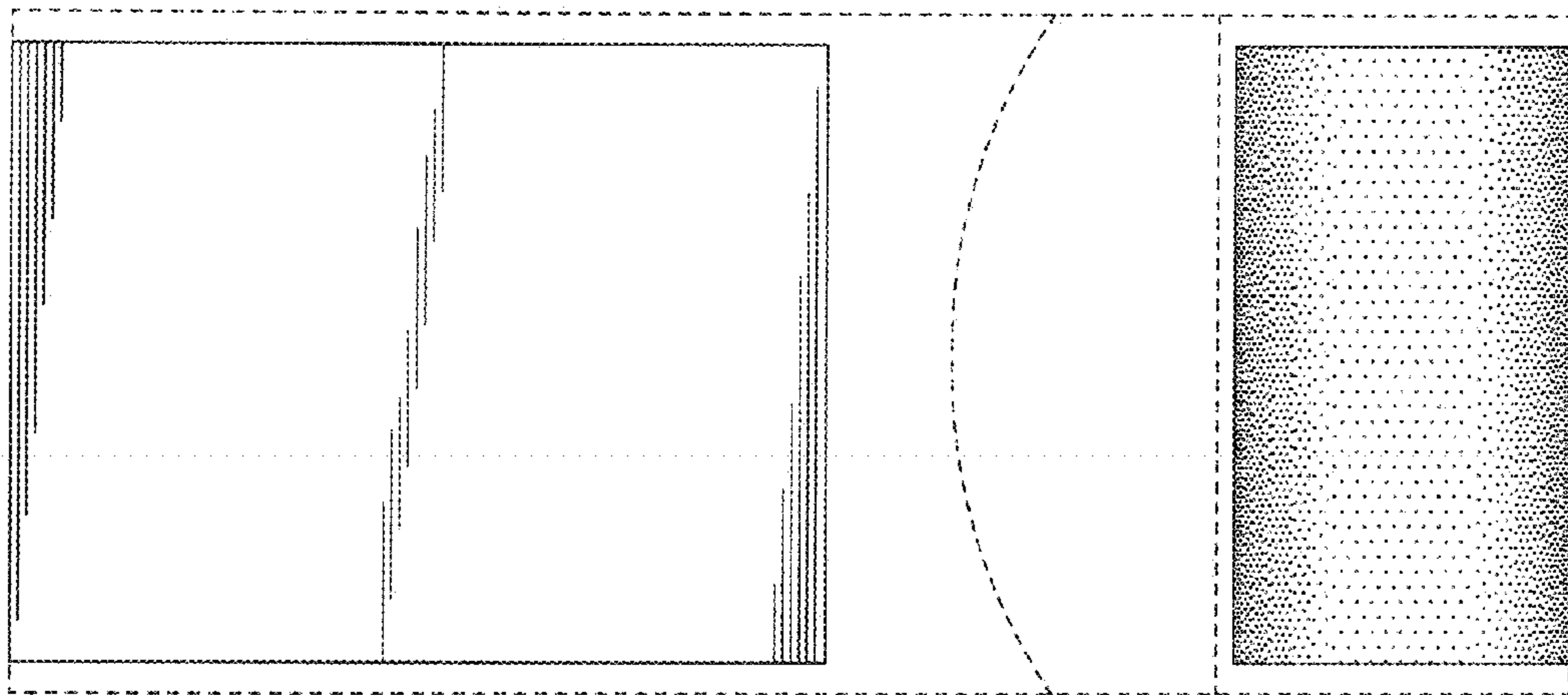


FIG. 4

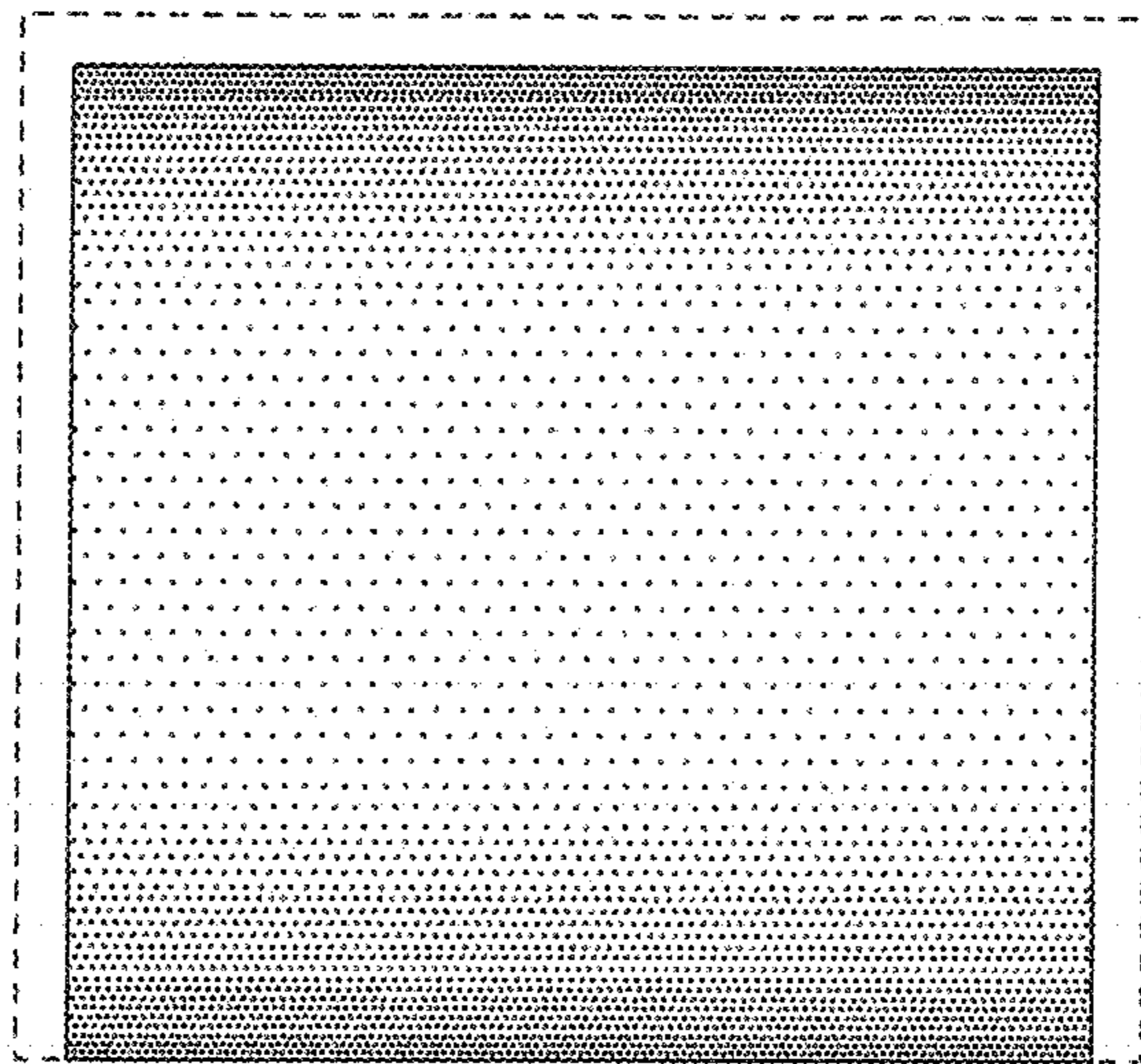


FIG. 5

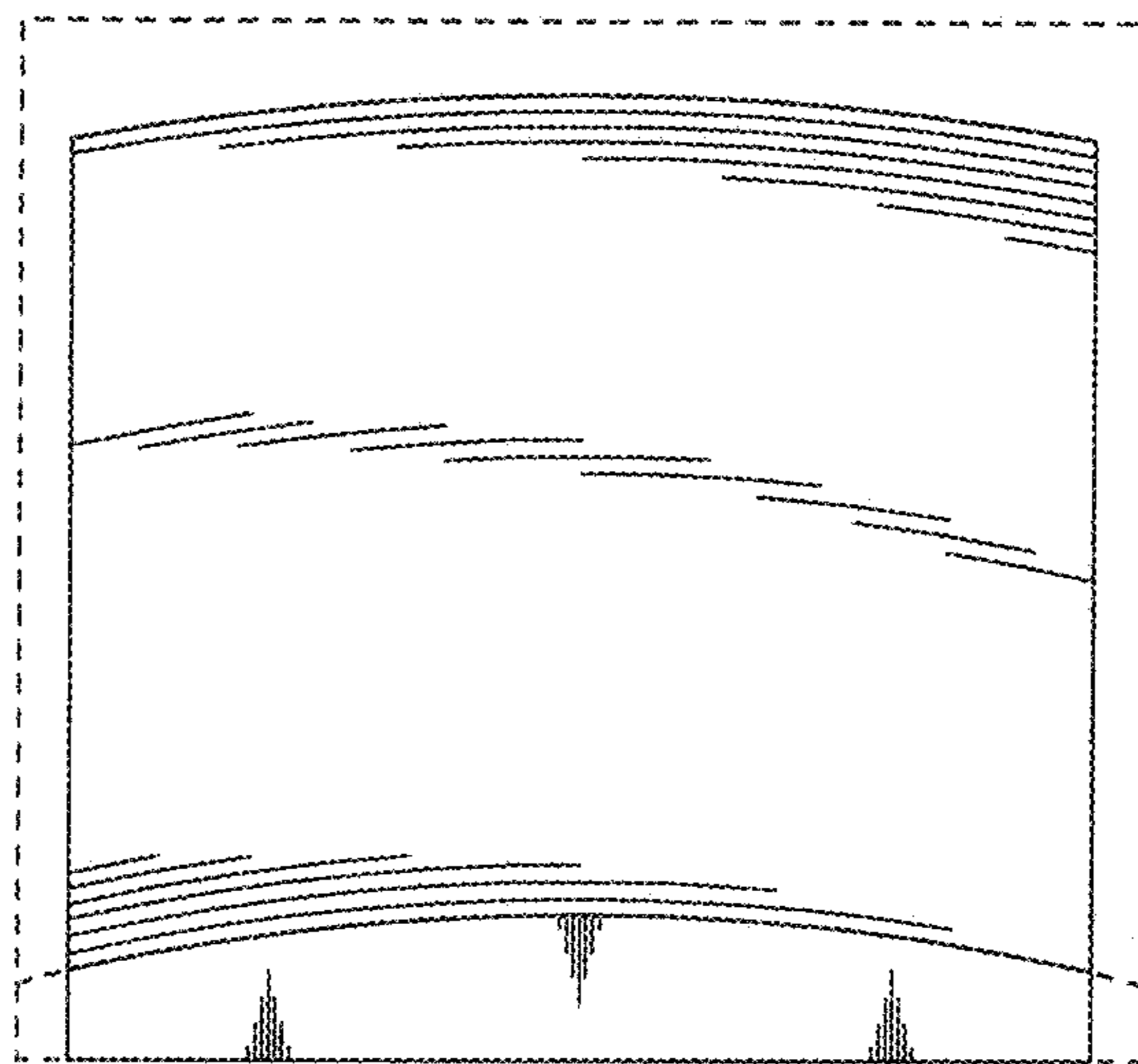


FIG. 6

