



US00D743087S

(12) **United States Design Patent**
Blum et al.

(10) **Patent No.:** **US D743,087 S**
(45) **Date of Patent:** **** Nov. 10, 2015**

(54) **LUMINAIRE**

(71) Applicant: **ABL IP Holding, LLC**, Conyers, GA (US)

(72) Inventors: **Darren Blum**, San Mateo, CA (US); **Peter Y. Y. Ngai**, Alamo, CA (US); **Ron Carl Schimmelpfenning**, Winona, MN (US); **Michael Evenson**, Rushford, MN (US)

(73) Assignee: **ABL IP Holding, LLC**, Conyers, GA (US)

(**) Term: **14 Years**

(21) Appl. No.: **29/507,650**

(22) Filed: **Oct. 29, 2014**

Related U.S. Application Data

(63) Continuation-in-part of application No. 29/492,463, filed on May 30, 2014, now Pat. No. Des. 730,560.

(51) **LOC (10) Cl.** **26-03**

(52) **U.S. Cl.**
USPC **D26/87**

(58) **Field of Classification Search**
USPC D26/72, 85, 87, 89, 92, 118
CPC F21S 8/03; F21S 8/033; F21S 8/036;
F21S 8/037; F21S 8/043; F21S 8/06; F21V
21/02; F21V 33/006; F21W 2131/10; F21W
2131/107; F21W 2131/1005
See application file for complete search history.

(56) **References Cited**

U.S. PATENT DOCUMENTS

D352,564 S	*	11/1994	Marischen	D26/26
D424,232 S		5/2000	Tihany		
D454,971 S	*	3/2002	Crosby	D26/85
D606,231 S		12/2009	Sabernig		
D606,701 S		12/2009	Chandler		

D608,935 S	*	1/2010	Pedersen	D26/85
D626,275 S		10/2010	Sabernig		
D646,423 S		10/2011	Chiu		
D646,426 S		10/2011	Wolk		
D669,207 S		10/2012	Chen		
8,313,215 B1		11/2012	Wawak-Umscheid et al.		
D676,997 S	*	2/2013	Tang	D26/87

(Continued)

Primary Examiner — Clare E Heflin

(74) *Attorney, Agent, or Firm* — Beeson Skinner Beverly, LLP

(57) **CLAIM**

The ornamental design for a luminaire, as shown and described.

DESCRIPTION

FIG. 1 is a front perspective view of a luminaire showing our new design;

FIG. 2 is a rear perspective view thereof;

FIG. 3 is a front elevational view thereof;

FIG. 4 is a right side elevational view thereof, the left side being a mirror image;

FIG. 5 is a rear elevational view thereof;

FIG. 6 is a top plan view thereof; and,

FIG. 7 is a bottom plan view thereof.

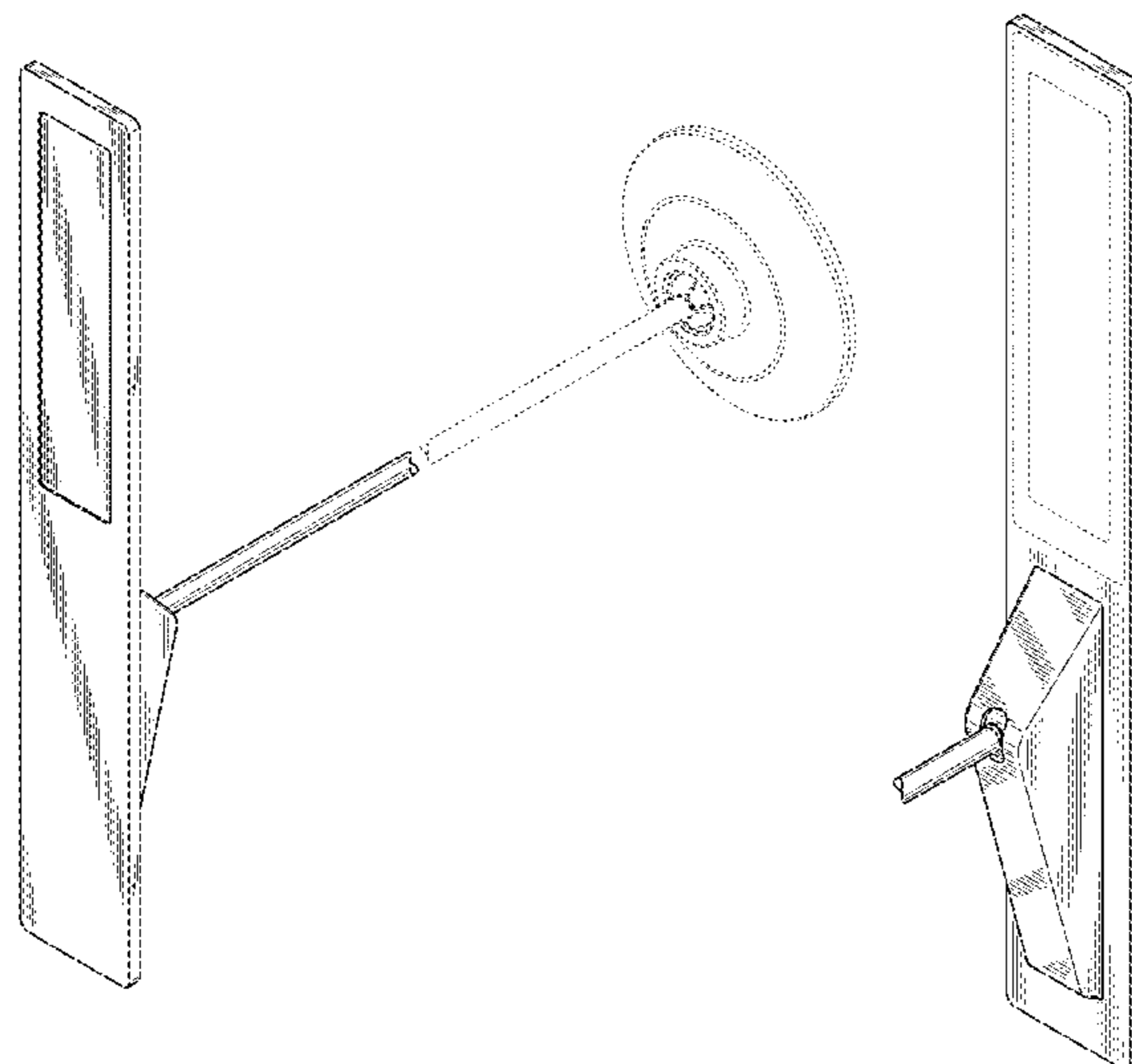
The inner rectangular area at the front of the luminaire shown in FIGS. 1 and 3 represents a light emitting surface of an area light source, such as an OLED panel.

The inner broken line rectangles shown in FIGS. 2 and 5 represent a light emitting surface of an area light source, such as an OLED panel, and a mounting ring plate therefor.

The broken lines shown in FIGS. 1, 2 and 5 represent an extension of the pendent arm for attaching the luminaire to a wall or other vertical attachment surface. The additional broken lines at the opposite end of the pendent arm shown in FIG. 1 represent an attachment surface cover plate. The structures shown in broken lines form no part of the claimed design.

The pendent arm shown in FIGS. 1, 2, 4, 6 and 7 is shown broken away to indicate non-specific length.

1 Claim, 4 Drawing Sheets



(56)

References Cited

U.S. PATENT DOCUMENTS

8,430,530 B2 *	4/2013	Aurongzeb	F21S 8/06	D713,589 S *	9/2014	Blum	D26/85
			362/249.03	D713,591 S *	9/2014	Blum	D26/85
D683,066 S *	5/2013	Myung	D26/120	D724,250 S *	3/2015	Tran	D26/85
D685,945 S	7/2013	Lindsley et al.		D730,560 S *	5/2015	Tran	D26/85
D697,248 S	1/2014	Martin		2014/0049956 A1 *	2/2014	Manahan	F21V 21/14
D703,864 S *	4/2014	Blum	D26/118	2015/0060779 A1 *	3/2015	Kawahara et al.	F21S 8/06
							257/40

* cited by examiner

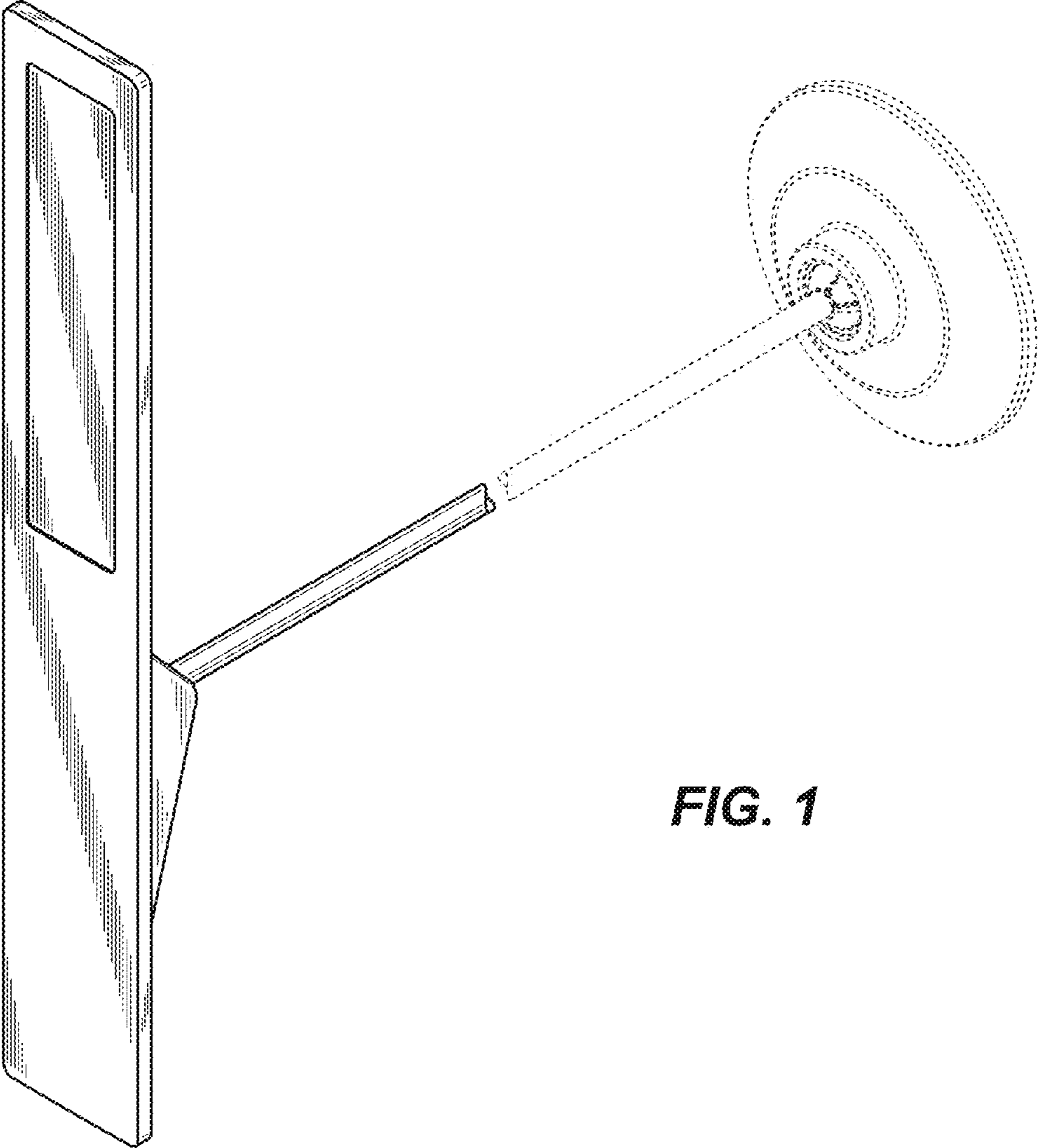


FIG. 1

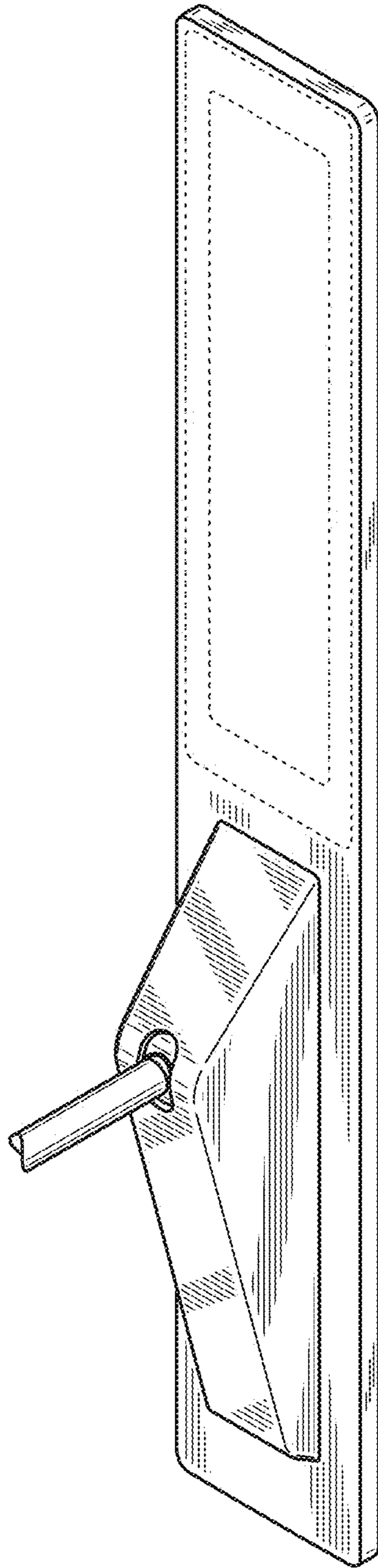


FIG. 2

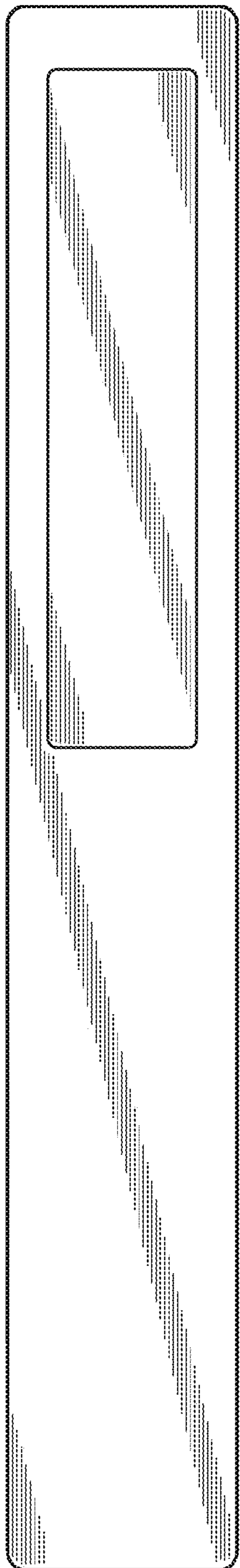


FIG. 3

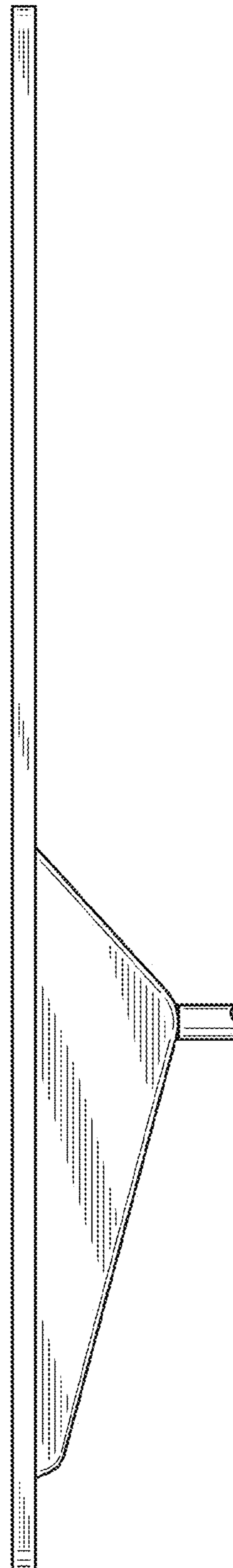


FIG. 4

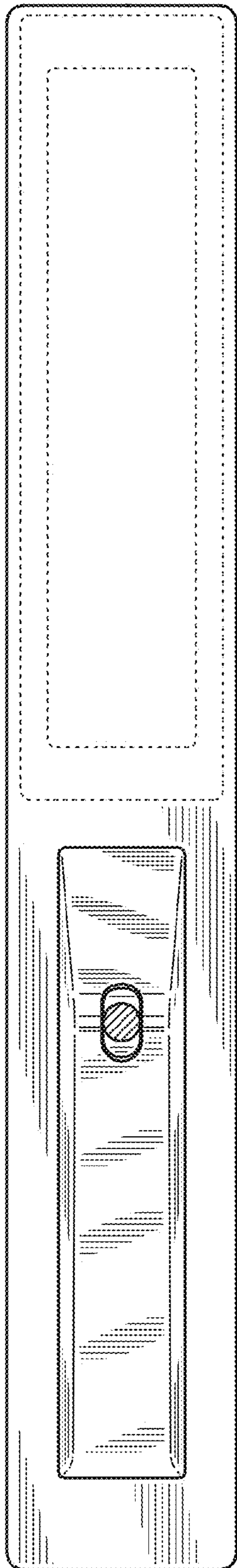


FIG. 5

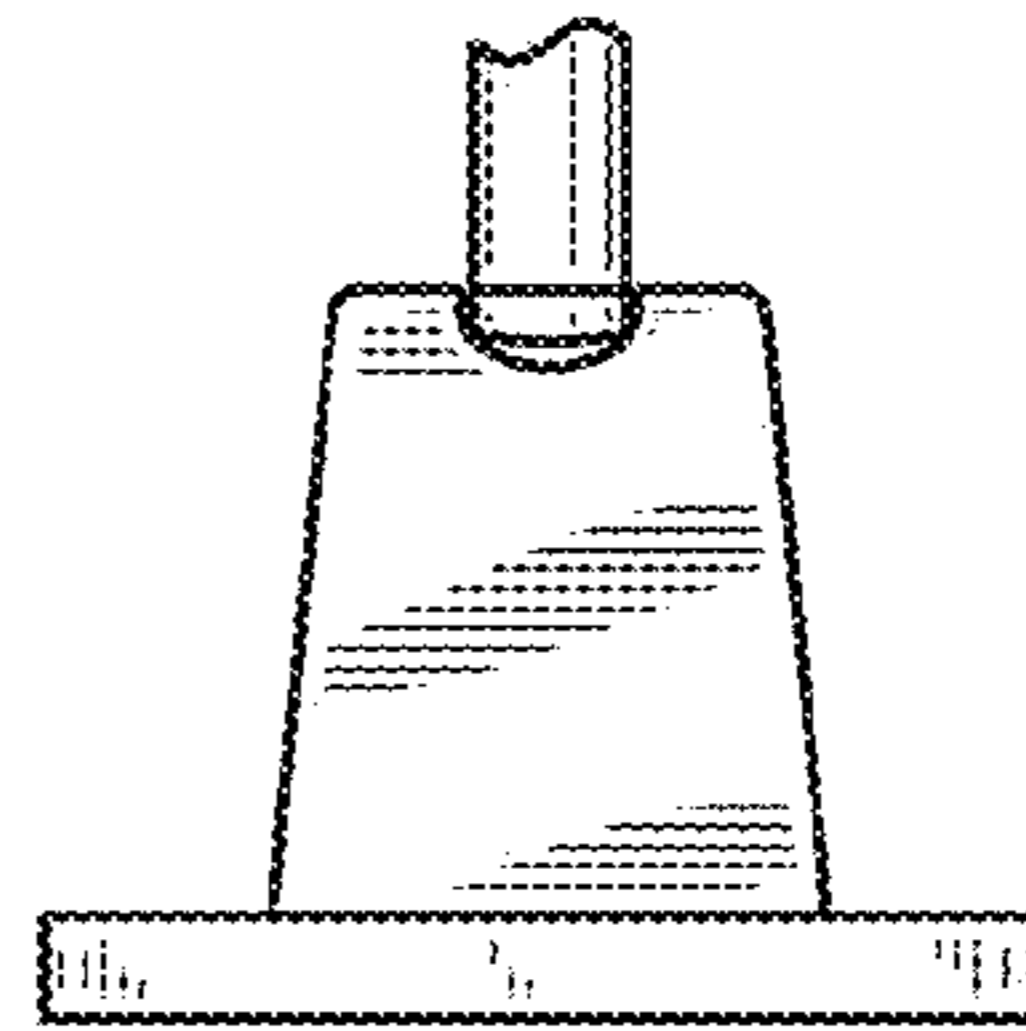


FIG. 6

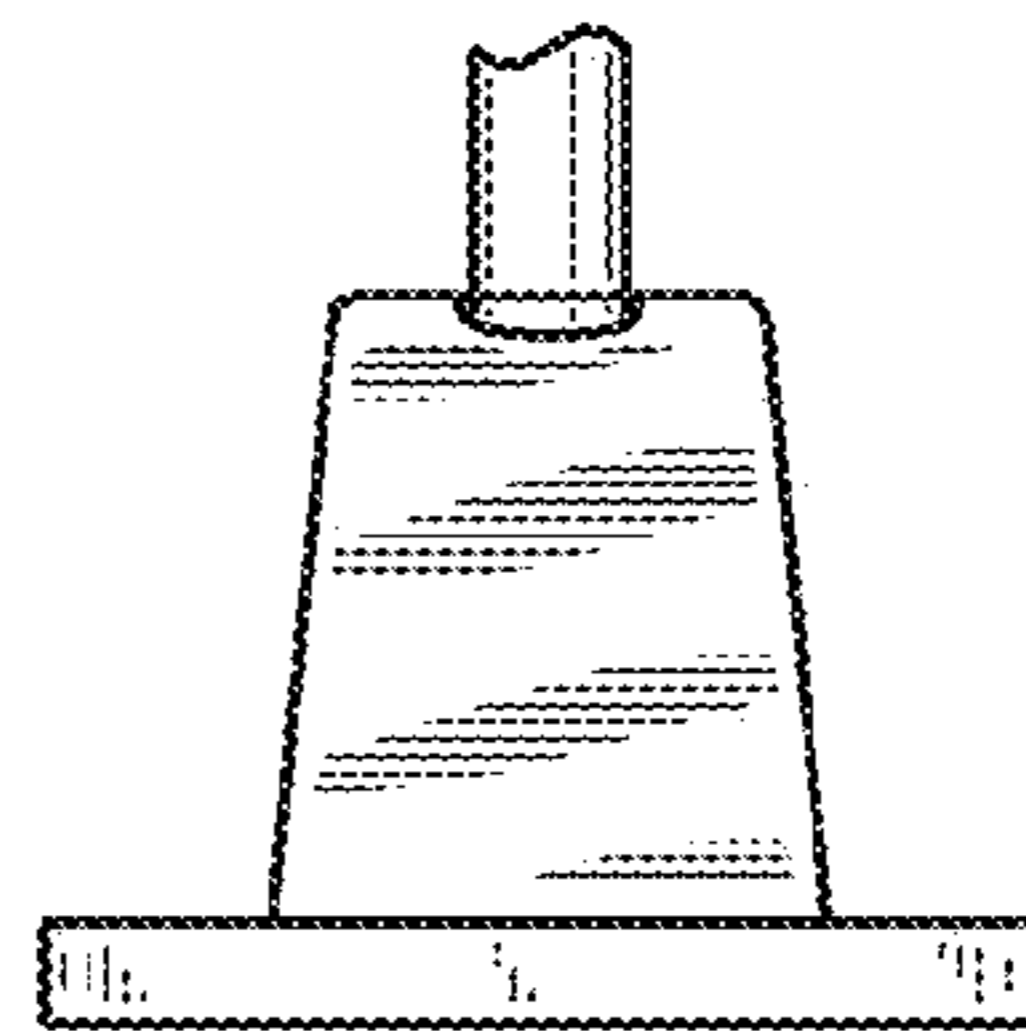


FIG. 7