



US00D743086S

(12) **United States Design Patent**  
**Blum et al.**

(10) **Patent No.:** **US D743,086 S**

(45) **Date of Patent:** **\*\* Nov. 10, 2015**

(54) **LUMINAIRE**

(71) Applicant: **ABL IP Holding, LLC**, Conyers, GA (US)

(72) Inventors: **Darren Blum**, San Mateo, CA (US); **Peter Y. Y. Ngai**, Alamo, CA (US); **Ron Carl Schimmelpfenning**, Winona, MN (US); **Michael Evenson**, Rushford, MN (US)

(73) Assignee: **ABL IP Holding, LLC**, Conyers, GA (US)

(\*\*) Term: **14 Years**

(21) Appl. No.: **29/507,648**

(22) Filed: **Oct. 29, 2014**

**Related U.S. Application Data**

(63) Continuation-in-part of application No. 29/492,463, filed on May 30, 2014, now Pat. No. Des. 730,560.

(51) **LOC (10) Cl.** ..... **26-03**

(52) **U.S. Cl.**  
USPC ..... **D26/85**; D26/120

(58) **Field of Classification Search**  
USPC ..... D26/72, 85, 87, 89, 92, 118, 120  
CPC ..... F21S 8/03; F21S 8/033; F21S 8/036;  
F21S 8/037; F21S 8/043; F21S 8/06; F21V  
21/02; F21V 33/006; F21W 2131/10; F21W  
2131/107; F21W 2131/1005  
See application file for complete search history.

(56) **References Cited**

**U.S. PATENT DOCUMENTS**

- 427,067 A \* 5/1890 French ..... E04B 5/46  
404/22
- D352,564 S \* 11/1994 Marischen ..... D26/26
- D424,232 S 5/2000 Tihany
- D454,971 S \* 3/2002 Crosby ..... D26/85
- D606,231 S 12/2009 Sabernig

D606,701 S 12/2009 Chandler  
D608,935 S 1/2010 Pedersen  
D626,275 S 10/2010 Sabernig

(Continued)

*Primary Examiner* — Clare E Heflin

(74) *Attorney, Agent, or Firm* — Beeson Skinner Beverly, LLP

(57) **CLAIM**

The ornamental design for a luminaire, as shown and described.

**DESCRIPTION**

FIG. 1 is a top front perspective view of a luminaire showing our new design;

FIG. 2 is a top rear perspective view thereof;

FIG. 3 is a front elevational view thereof;

FIG. 4 is a right side elevational view thereof, the left side being a mirror image;

FIG. 5 is a rear elevational view thereof;

FIG. 6 is a top plan view thereof; and,

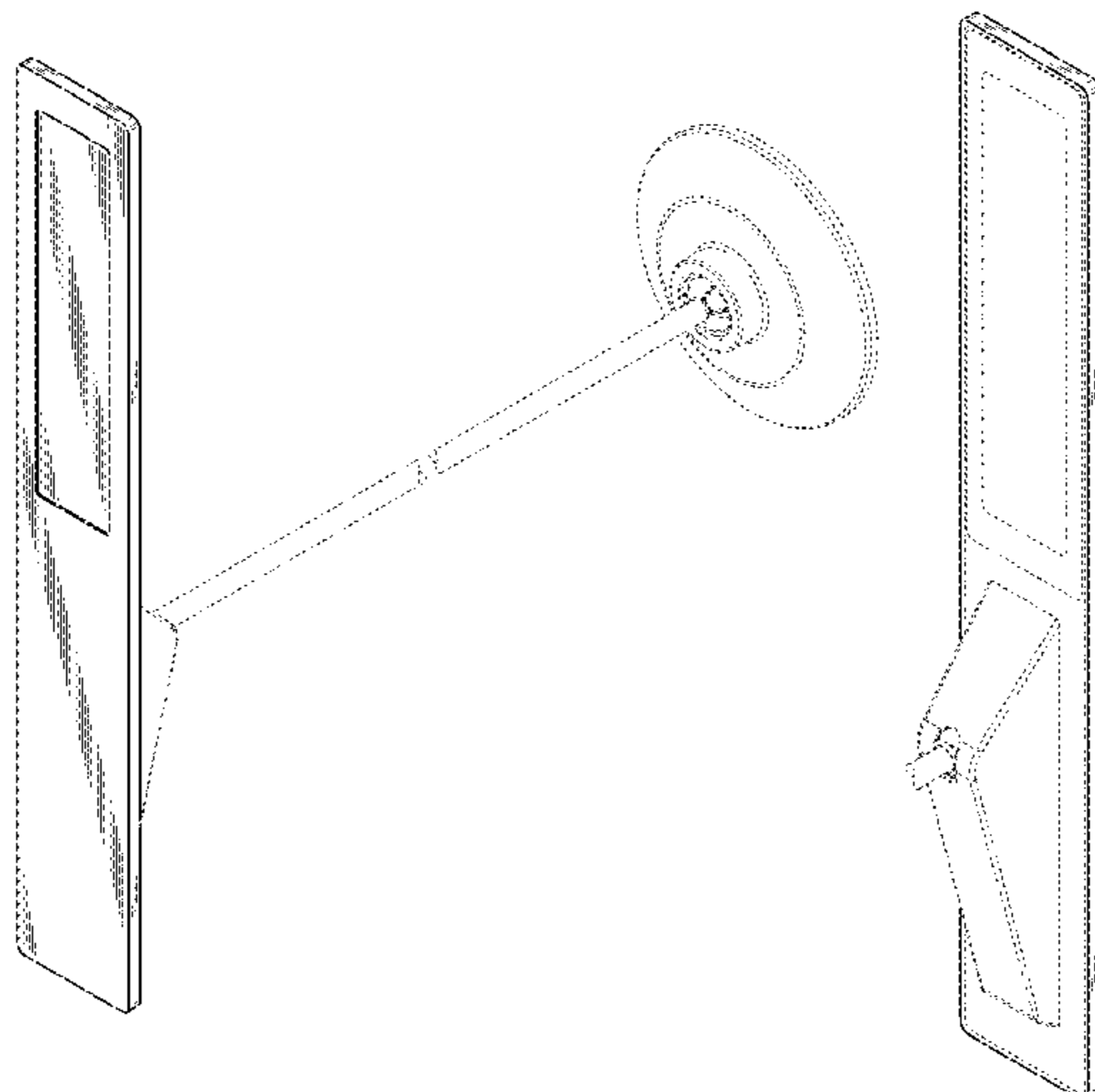
FIG. 7 is a bottom plan view thereof.

The inner rectangular area at the front of the luminaire shown in FIGS. 1 and 3 represents a light emitting surface of an area light source, such as an OLED panel.

The outer broken line rectangle just inside the solid line rectangle shown in FIGS. 2 and 5 is a boundary line. The area inside this rectangular boundary line forms no part of the claimed design.

The inner broken line rectangles shown in FIGS. 2 and 5 represent a light emitting surface of an area light source, such as an OLED panel, and a mounting ring plate therefor. The broken line structures shown protruding from the rear or the luminaire in FIGS. 1-2 and 4-7 represent a rear housing and a pendent arm protruding from the rear housing for attaching the luminaire to a wall or other vertical attachment surface. The additional broken lines at the opposite end of the pendent arm shown in FIG. 1 represent an attachment surface cover plate. The structures shown in broken lines form no part of the claimed design.

**1 Claim, 4 Drawing Sheets**



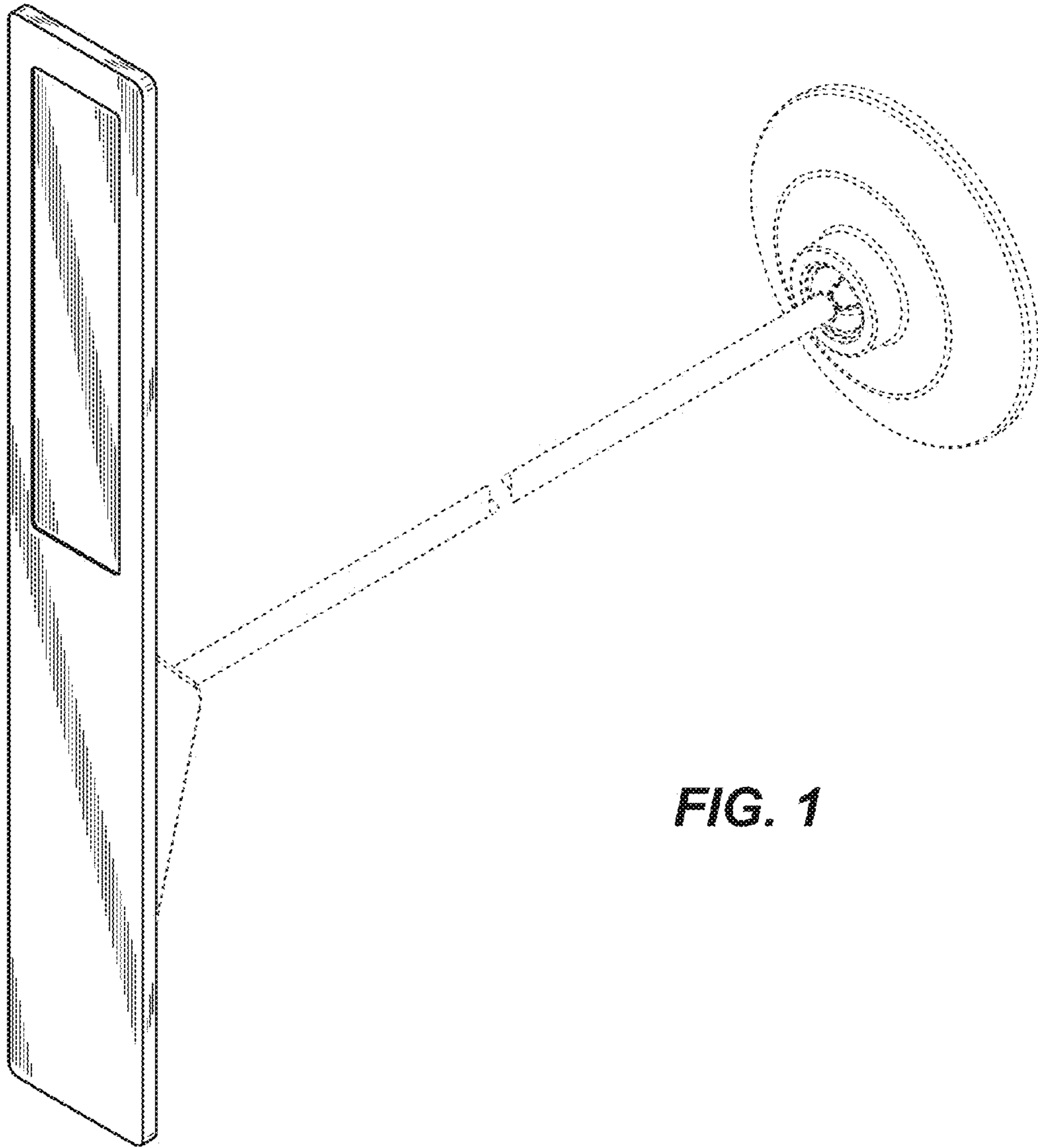
(56)

References Cited

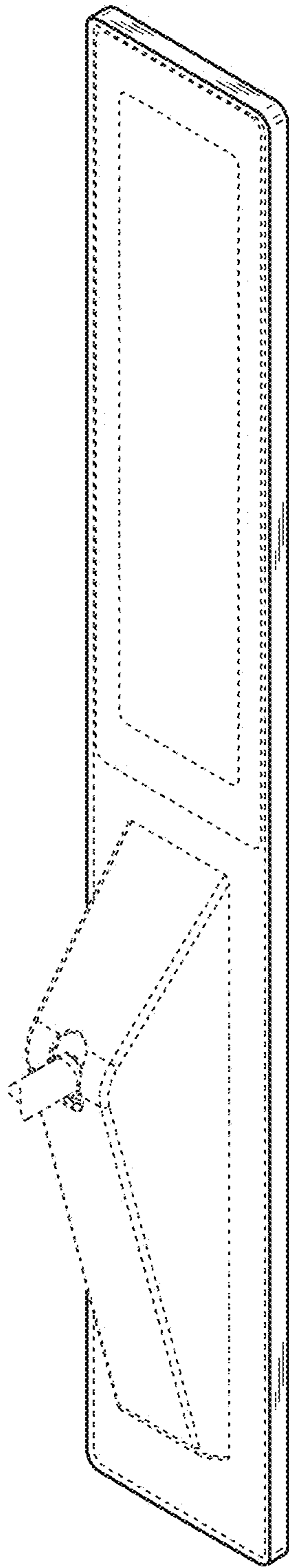
U.S. PATENT DOCUMENTS

|                   |         |                       |       |                       |
|-------------------|---------|-----------------------|-------|-----------------------|
| D632,008 S *      | 2/2011  | Kim                   | ..... | D26/120               |
| D643,566 S *      | 8/2011  | Hickok                | ..... | D26/120               |
| D645,196 S *      | 9/2011  | Hickok                | ..... | D26/120               |
| D646,423 S        | 10/2011 | Chiu                  |       |                       |
| D646,426 S        | 10/2011 | Wolk                  |       |                       |
| D656,267 S *      | 3/2012  | Laporte               | ..... | D26/120               |
| D669,207 S        | 10/2012 | Chen                  |       |                       |
| 8,313,215 B1      | 11/2012 | Wawak-Umscheid et al. |       |                       |
| D676,997 S        | 2/2013  | Tang et al.           |       |                       |
| 8,430,530 B2      | 4/2013  | Aurongzeb et al.      |       |                       |
| D683,066 S *      | 5/2013  | Myung                 | ..... | D26/120               |
| D685,945 S        | 7/2013  | Lindsley et al.       |       |                       |
| D695,951 S *      | 12/2013 | Miyatake              | ..... | D26/120               |
| D697,248 S        | 1/2014  | Martin                |       |                       |
| D703,864 S        | 4/2014  | Blum et al.           |       |                       |
| D713,589 S        | 9/2014  | Blum et al.           |       |                       |
| D713,591 S        | 9/2014  | Blum et al.           |       |                       |
| D724,250 S        | 3/2015  | Tran et al.           |       |                       |
| D730,560 S *      | 5/2015  | Tran                  | ..... | D26/85                |
| 2014/0049956 A1 * | 2/2014  | Manahan               | ..... | F21V 21/30<br>362/233 |
| 2015/0060779 A1 * | 3/2015  | Kawahara              | ..... | F21S 8/06<br>257/40   |

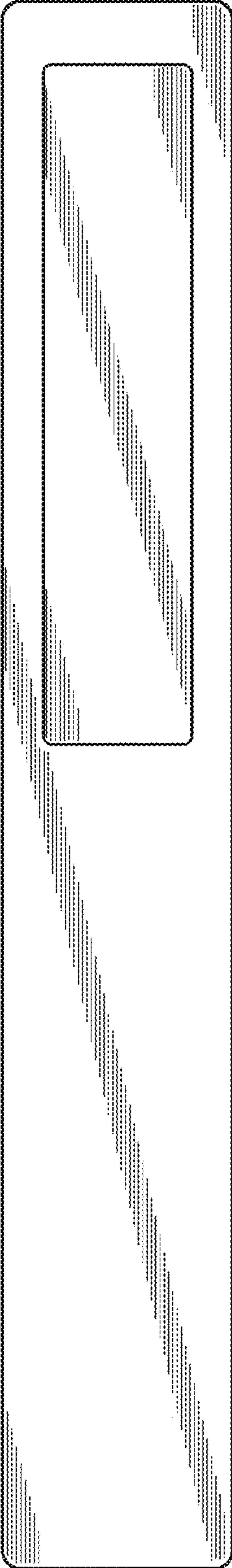
\* cited by examiner



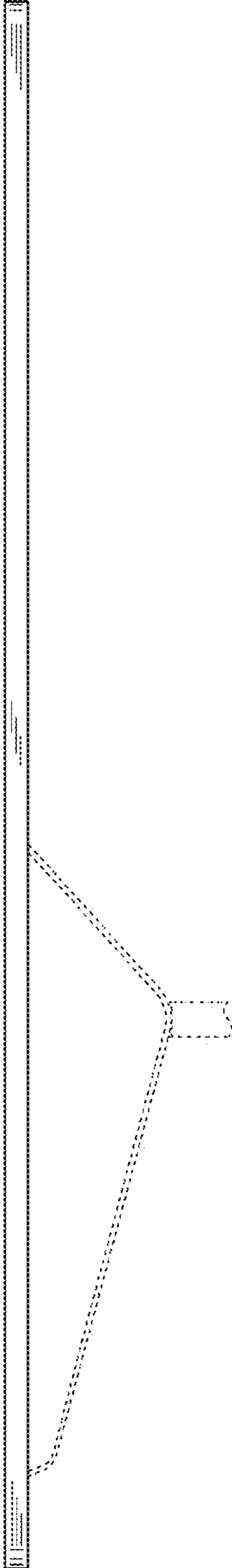
**FIG. 1**



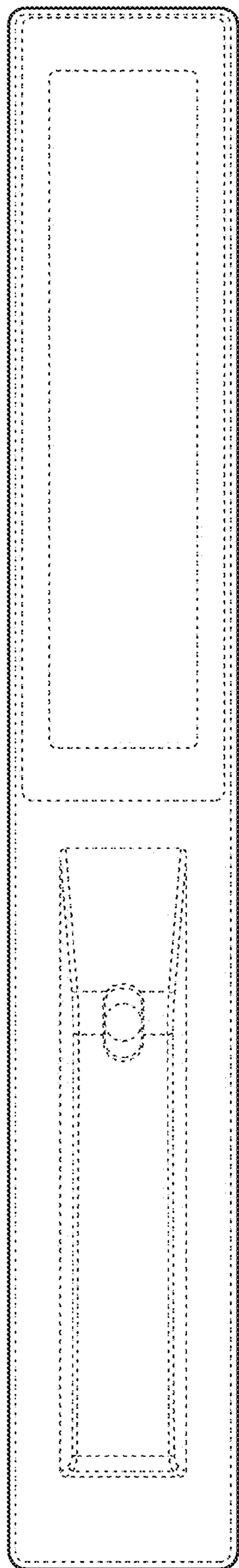
**FIG. 2**



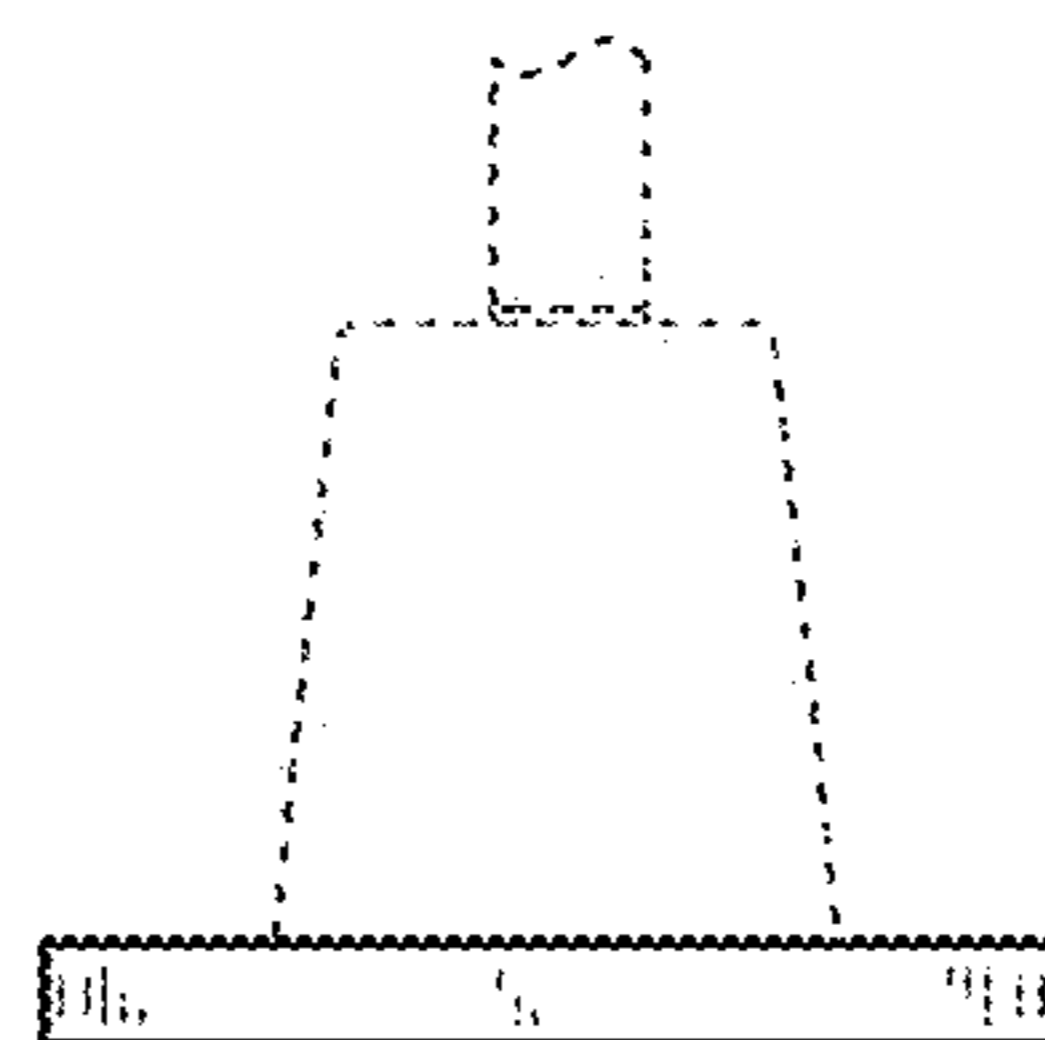
**FIG. 3**



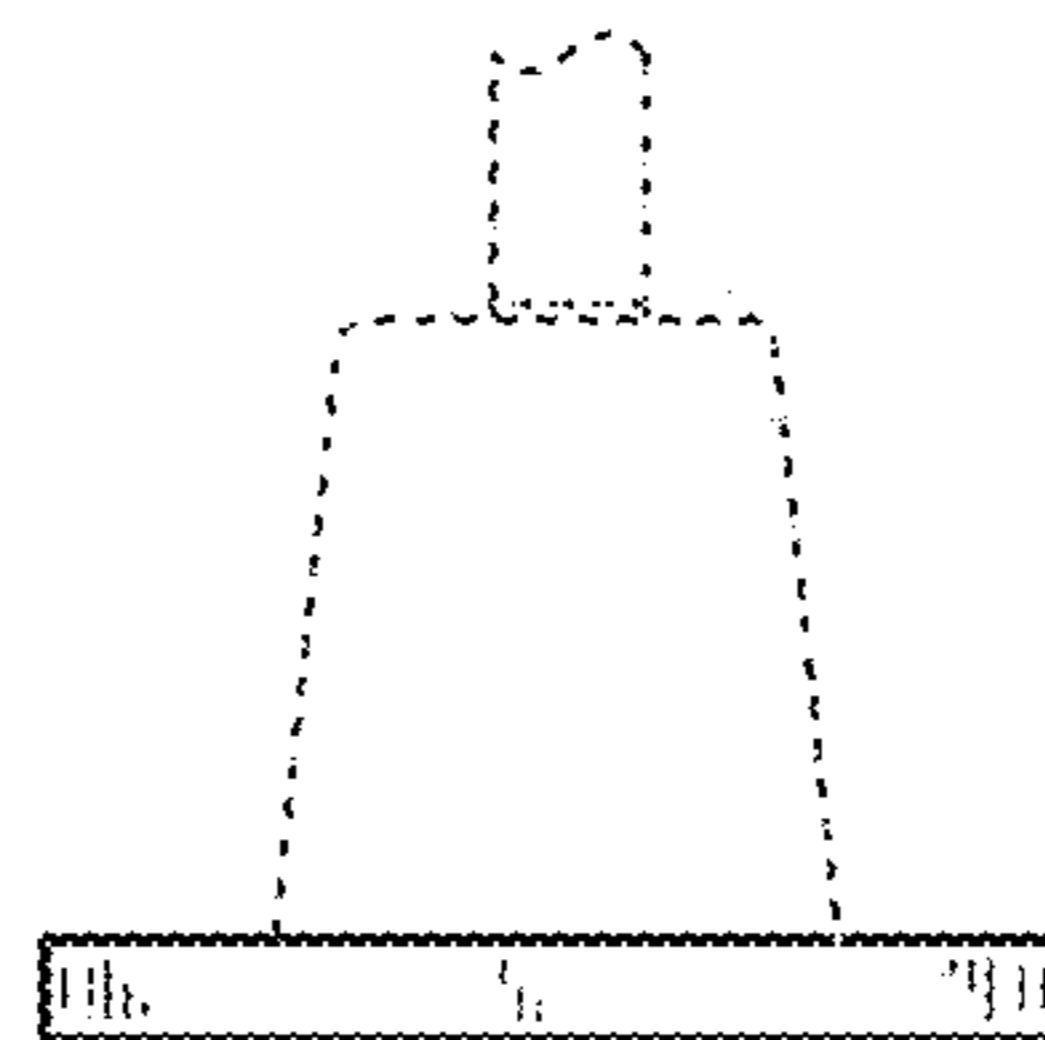
**FIG. 4**



**FIG. 5**



**FIG. 6**



**FIG. 7**