



US00D743085S

(12) **United States Design Patent**
Stolte

(10) **Patent No.:** **US D743,085 S**
(45) **Date of Patent:** **** Nov. 10, 2015**

- (54) **LIGHTING FIXTURE**
- (71) Applicant: **KENALL MANUFACTURING COMPANY**, Gurnee, IL (US)
- (72) Inventor: **Brandon Stolte**, Lindenhurst, IL (US)
- (73) Assignee: **KENALL MANUFACTURING COMPANY**, Kenosha, WI (US)
- (**) Term: **14 Years**
- (21) Appl. No.: **29/483,032**
- (22) Filed: **Feb. 25, 2014**
- (51) **LOC (10) Cl.** **26-03**
- (52) **U.S. Cl.**
USPC **D26/76**
- (58) **Field of Classification Search**
USPC D26/28, 75, 76, 80, 89
CPC F21S 8/033; F21S 8/04; F21S 9/02;
F21L 13/00
See application file for complete search history.

D180,532 S *	6/1957	Stevens	D26/76
D180,533 S *	6/1957	Stevens	D26/76
D180,536 S *	6/1957	Stevens	D26/76
D186,129 S *	9/1959	Spaulding	D26/76
D266,578 S *	10/1982	Moshier	D23/328
D294,302 S *	2/1988	Littrell et al.	D26/28
D330,438 S *	10/1992	Herst et al.	D26/85
D507,373 S *	7/2005	Kim, II	D26/80
D617,935 S *	6/2010	Miletich et al.	D26/76
D679,440 S *	4/2013	Smith	D26/80

* cited by examiner

Primary Examiner — Clare E Heflin

(74) *Attorney, Agent, or Firm* — Marshall, Gerstein & Borun LLP

(57) **CLAIM**

The ornamental design for a lighting fixture, as shown and described.

DESCRIPTION

FIG. 1 is a perspective view showing the new design for a lighting fixture;
 FIG. 2 is a bottom view of the lighting fixture of FIG. 1;
 FIG. 3 is a top view of the lighting fixture of FIG. 1;
 FIG. 4 is a left-side view of the lighting fixture of FIG. 1;
 FIG. 5 is a right-side view of the lighting fixture of FIG. 1;
 FIG. 6 is a front view of the lighting fixture of FIG. 1; and,
 FIG. 7 is a rear view of the lighting fixture of FIG. 1.

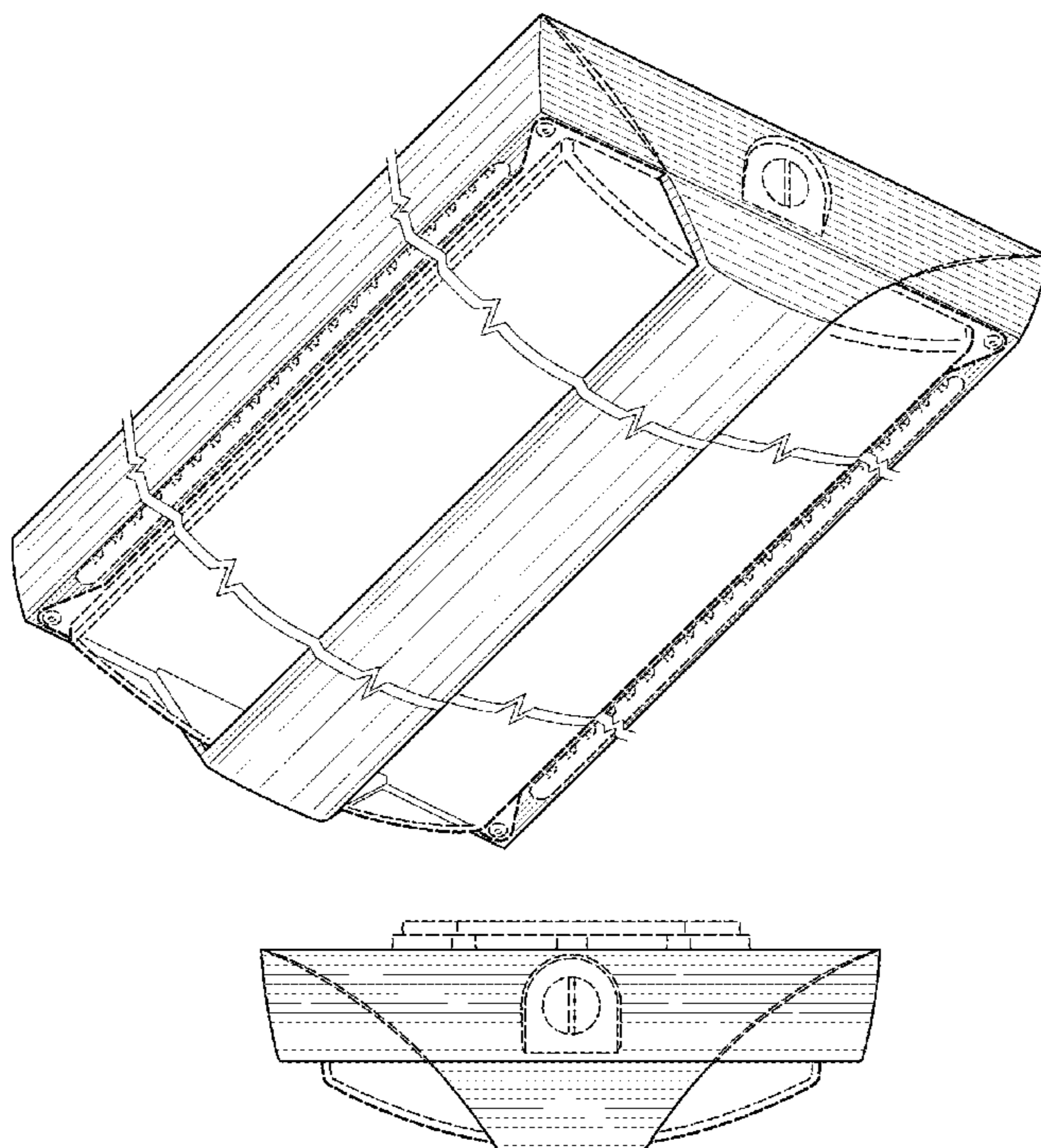
The dashed lines showing portions of the lighting fixture are included for the purpose of illustrating environment and form no part of the claimed design. Where the figures show the article broken away, they are understood to indicate unclaimed length.

1 Claim, 5 Drawing Sheets

(56) **References Cited**

U.S. PATENT DOCUMENTS

D110,165 S *	6/1938	Arenberg	D26/85
D122,582 S *	9/1940	Biller	D26/76
D122,709 S *	9/1940	Korengold	D26/76
D123,762 S *	12/1940	Pieper	D26/76
D125,559 S *	3/1941	Biller	D26/76
D129,836 S *	10/1941	Koegel	D26/76
D166,093 S *	3/1952	McPhail	D26/76
D168,974 S *	3/1953	Spaulding	D26/76



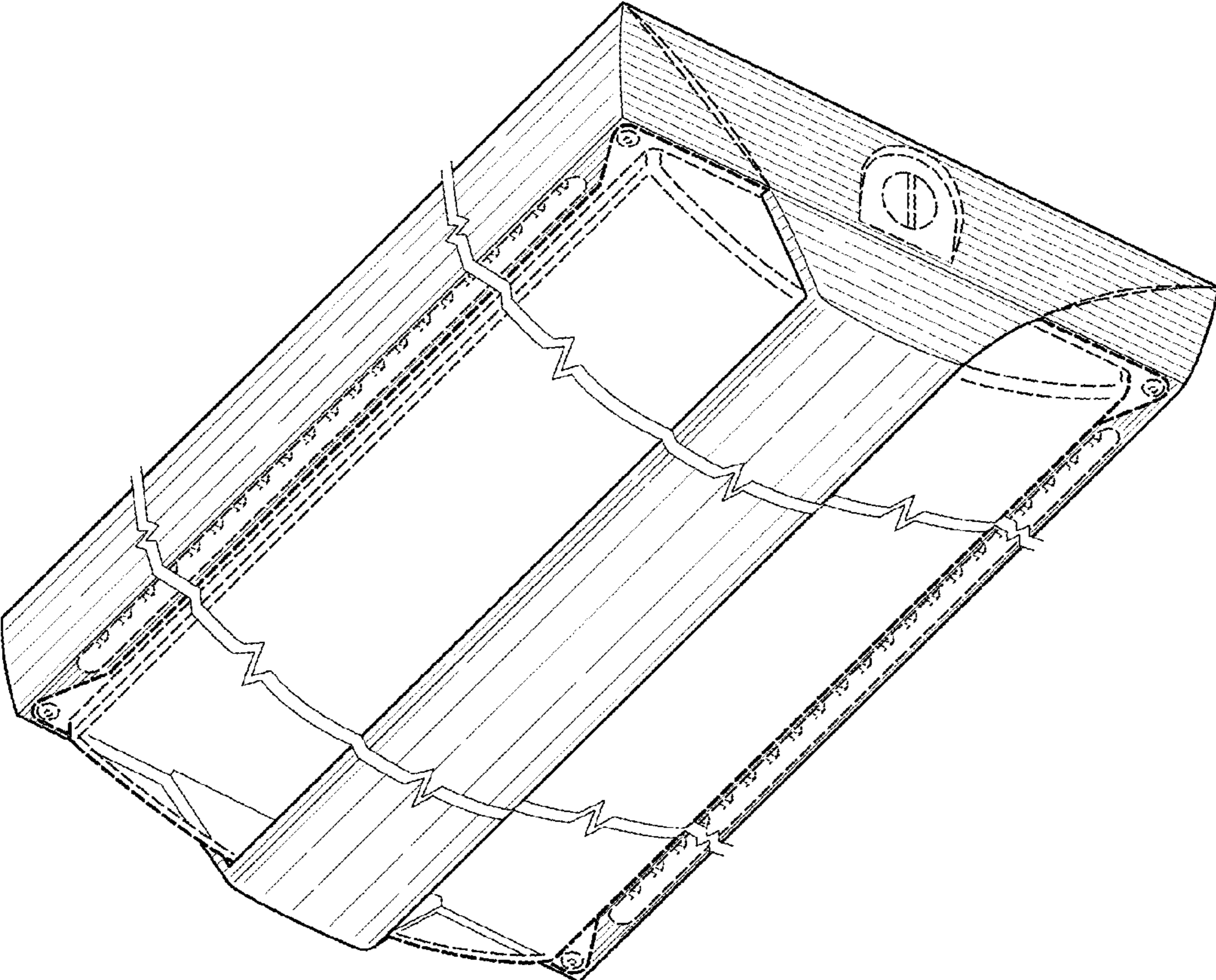


FIG. 1

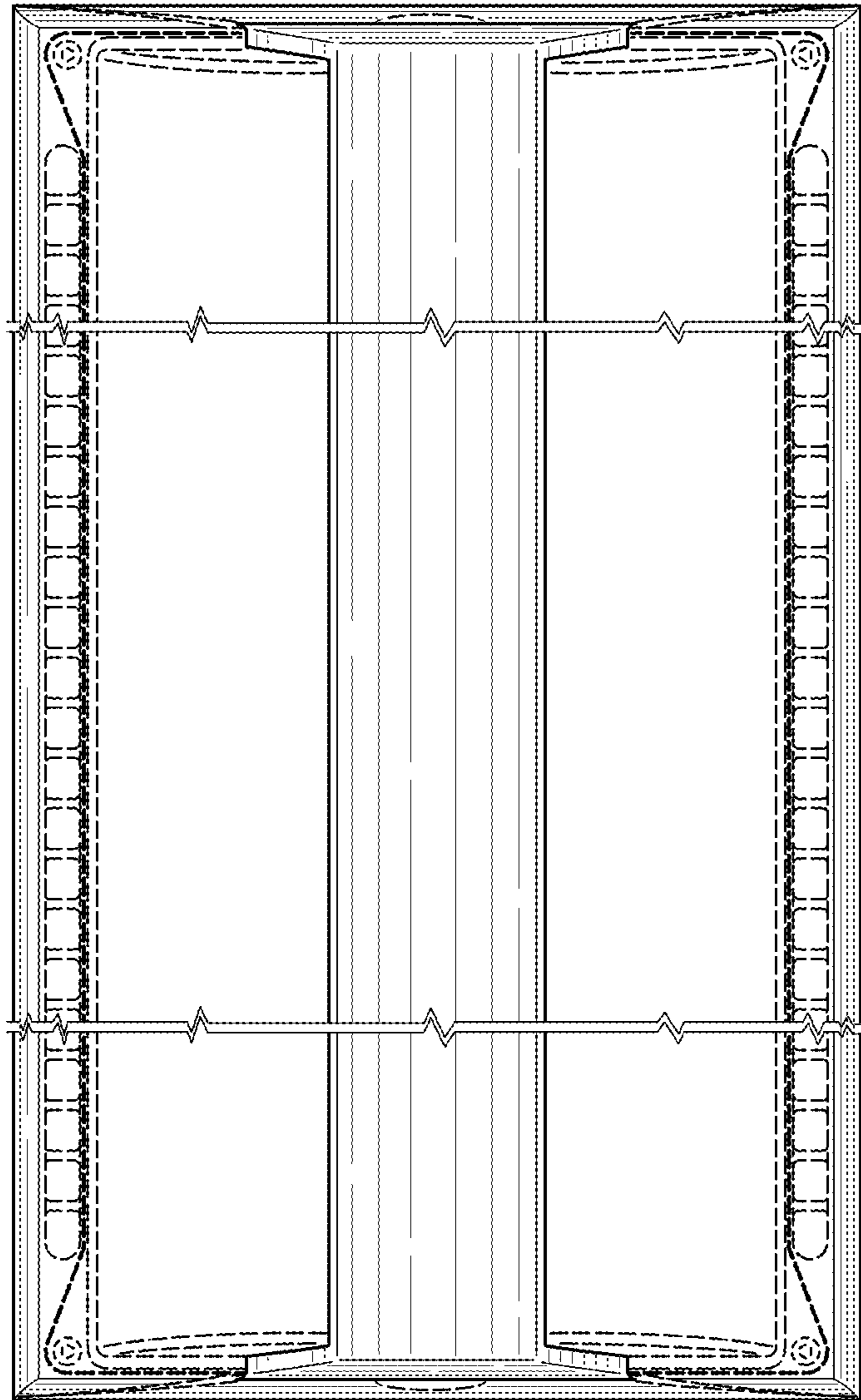


FIG. 2

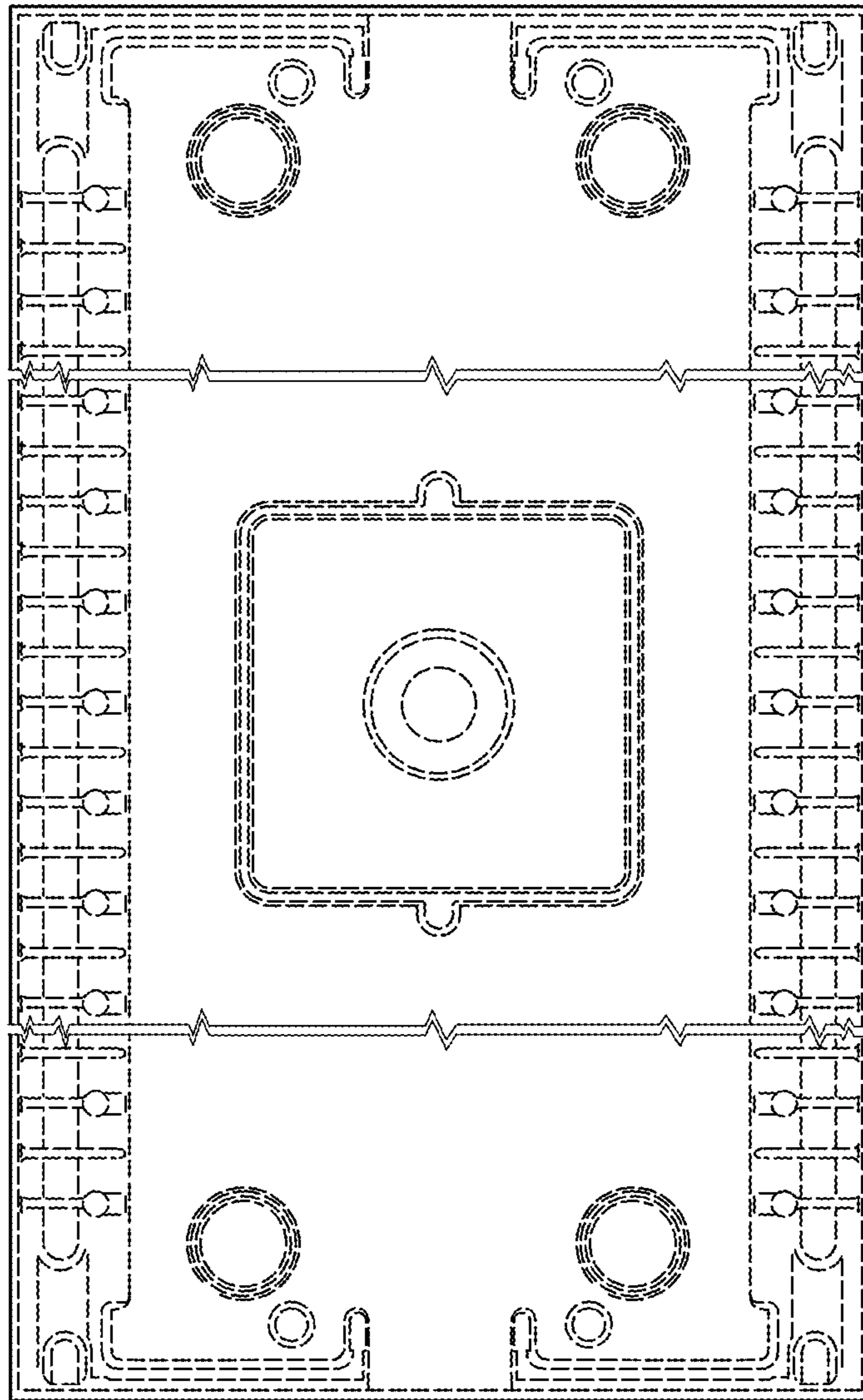


FIG. 3

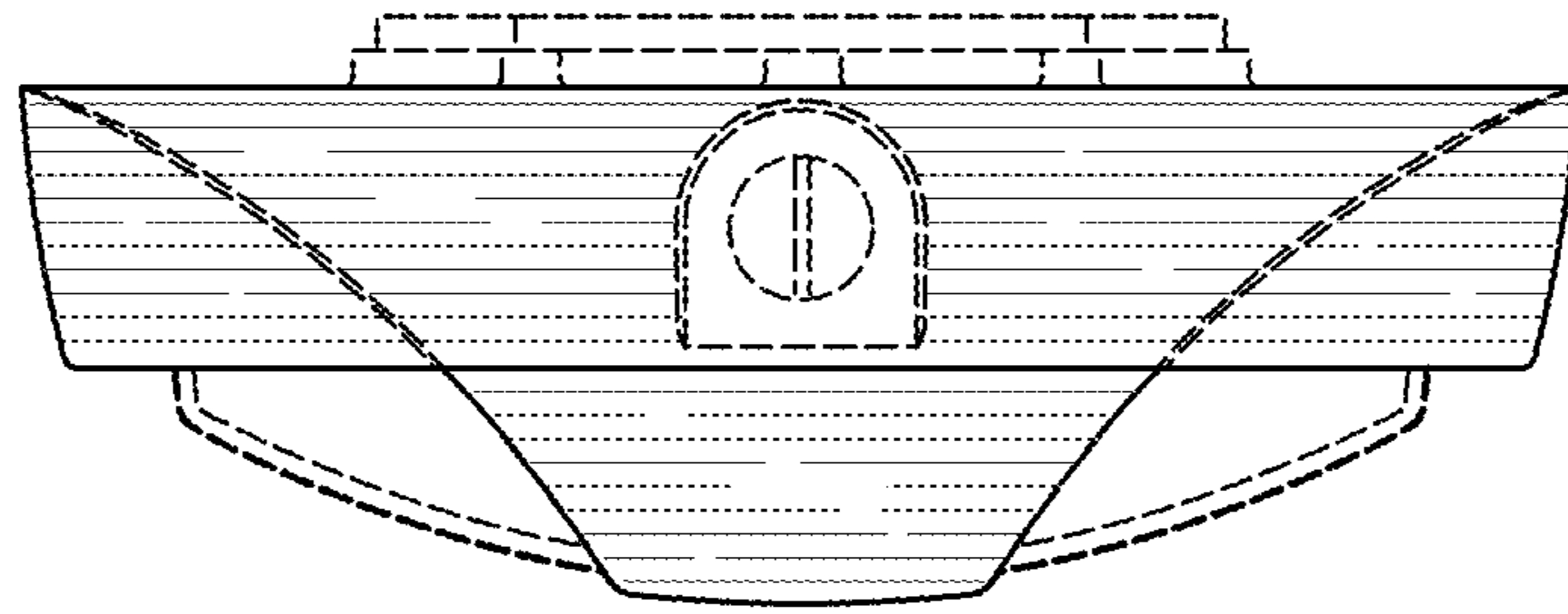


FIG. 4

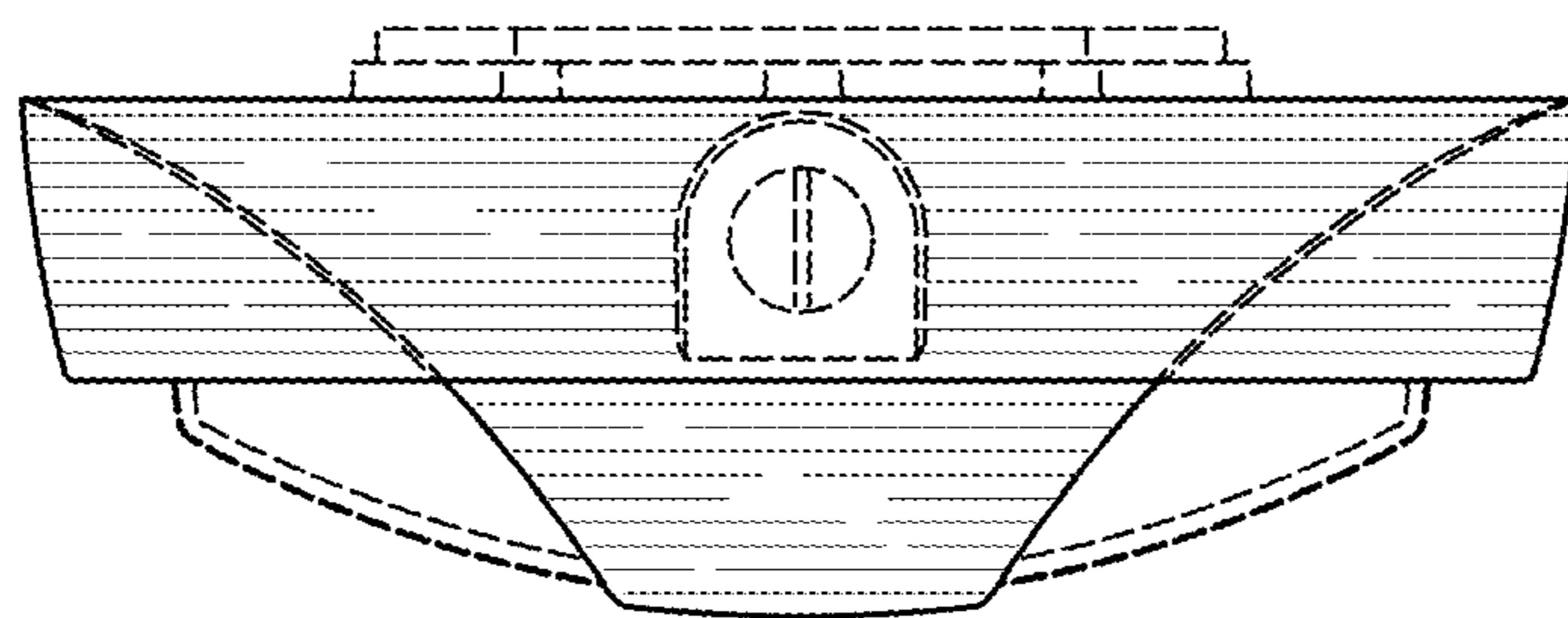


FIG. 5

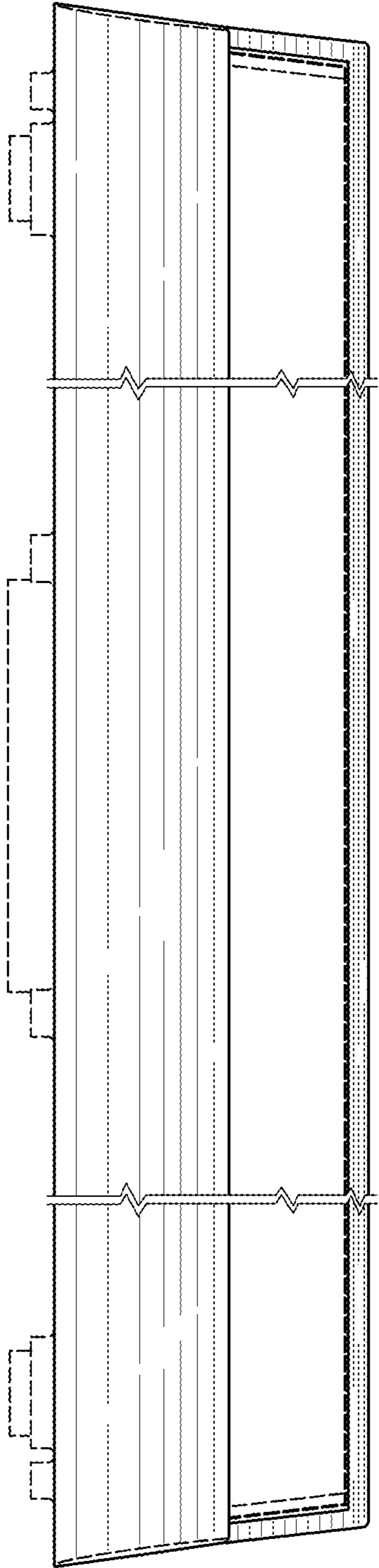


FIG. 6

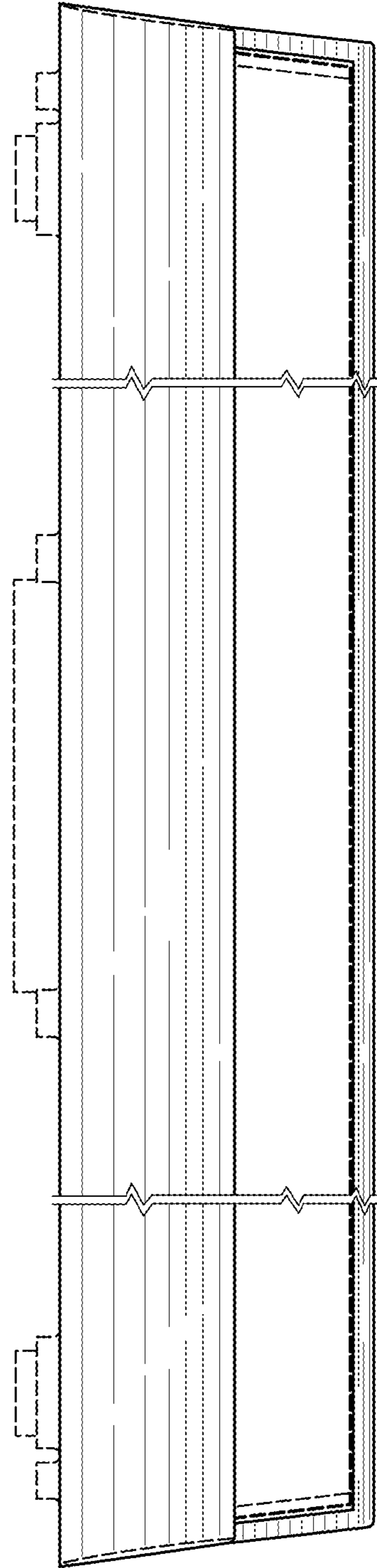


FIG. 7