



US00D743084S

(12) **United States Design Patent**
Lay et al.

(10) **Patent No.:** **US D743,084 S**

(45) **Date of Patent:** **** Nov. 10, 2015**

(54) **LIGHT FIXTURE**

(71) Applicant: **Cree, Inc.**, Durham, NC (US)

(72) Inventors: **James Michael Lay**, Apex, NC (US);
Don Miletich, Franklin, WI (US)

(73) Assignee: **Cree, Inc.**, Durham, NC (US)

(**) Term: **14 Years**

(21) Appl. No.: **29/514,861**

(22) Filed: **Jan. 16, 2015**

Related U.S. Application Data

(62) Division of application No. 29/447,793, filed on Mar. 6, 2013, now Pat. No. Des. 721,844.

(51) **LOC (10) Cl.** **26-05**

(52) **U.S. Cl.**
USPC **D26/71**

(58) **Field of Classification Search**
USPC D26/69-71, 92
CPC F21S 9/03; F21S 8/085; F21S 8/086;
F21W 2131/103; F21V 15/01
See application file for complete search history.

(56) **References Cited**

U.S. PATENT DOCUMENTS

5,918,842	A	7/1999	Garfinkle
6,158,882	A	12/2000	Bischoff, Jr.
6,679,461	B1	1/2004	Hawkins
6,776,504	B2	8/2004	Sloan et al.
6,882,111	B2	4/2005	Kan et al.
7,163,328	B2	1/2007	Chang et al.

D577,455	S *	9/2008	Zheng	D26/71
7,513,659	B2	4/2009	Vukosic et al.		
7,559,672	B1	7/2009	Parkyn et al.		
D615,233	S *	5/2010	Josefowicz	D26/71

(Continued)

FOREIGN PATENT DOCUMENTS

WO 0216826 A1 2/2002

OTHER PUBLICATIONS

Security Lighting Systems. UCL LED Recessed Petroleum Canopy Luminaire brochure. 4 pages.

Primary Examiner — Clare E Heflin

(74) *Attorney, Agent, or Firm* — Jansson Munger McKinley & Shape Ltd.

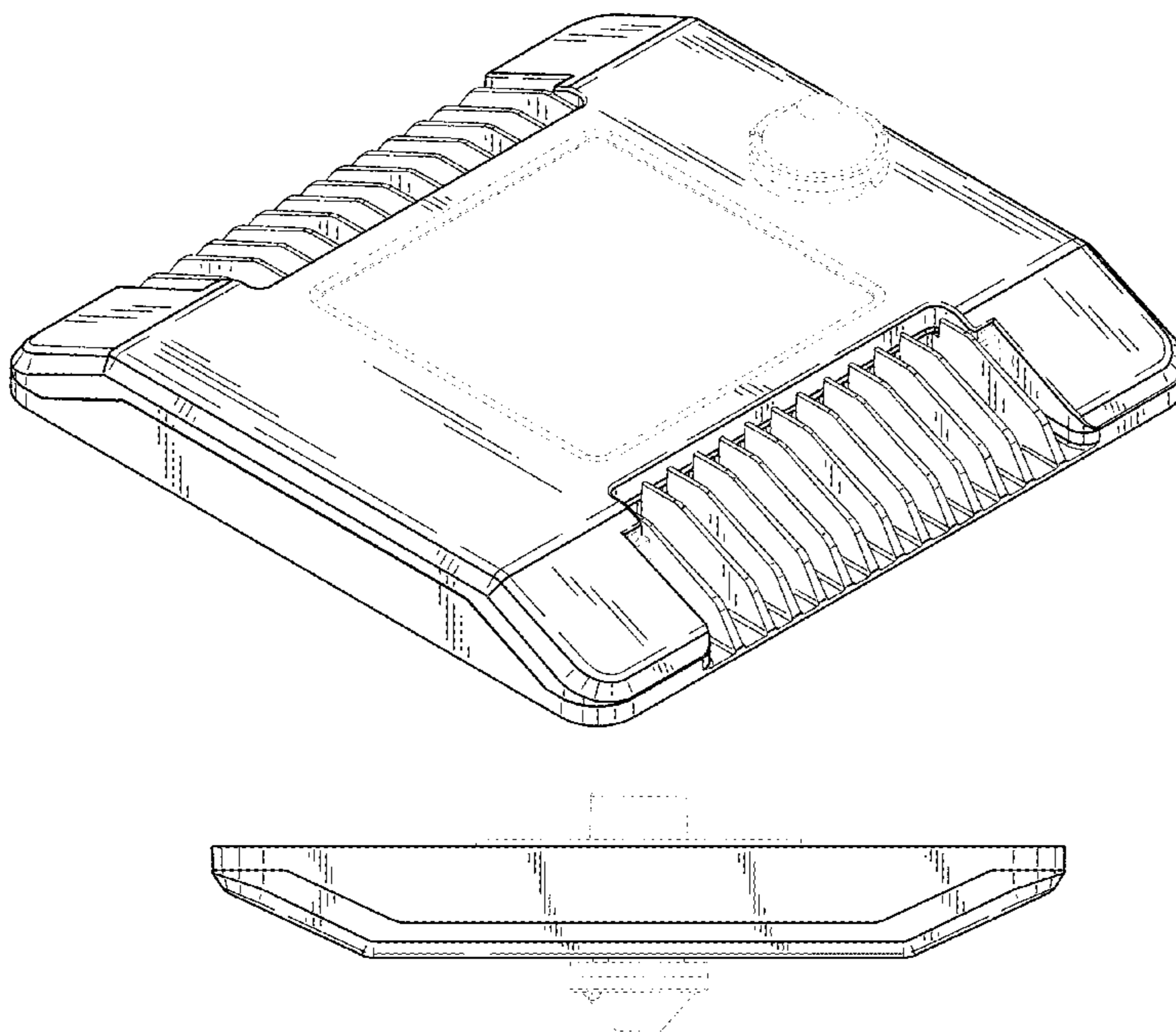
(57) **CLAIM**

The ornamental design for a light fixture, as shown and described.

DESCRIPTION

FIG. 1 is a perspective view of the light fixture;
FIG. 2 is a bottom plan view of the light fixture of FIG. 1;
FIG. 3 is a top plan view of the light fixture of FIG. 1;
FIG. 4 is a right-side elevation of the light fixture of FIG. 1, the left-side elevation view being a mirror image thereof; and,
FIG. 5 is a front elevation of the light fixture of FIG. 1, the rear elevation being a mirror image thereof.
The phantom lines are provided for illustrative purposes only and form no part of the claimed design.

1 Claim, 4 Drawing Sheets



(56)

References Cited

U.S. PATENT DOCUMENTS

7,798,670 B2	9/2010	Kinnune				
D627,093 S *	11/2010	Shiau	D26/71			
D630,790 S *	1/2011	Josefowicz	D26/71			
D668,370 S *	10/2012	Guercio	D26/71			
D673,720 S *	1/2013	Bailey	D26/138			
D676,177 S *	2/2013	Akinrele	D26/71			
8,430,532 B2 *	4/2013	Lee	F21V 29/004			
			362/294			
				8,529,085 B2 *	9/2013	Josefowicz
						F21S 8/086
						362/158
				D721,844 S *	1/2015	Lay
						D26/71
				2009/0086472 A1 *	4/2009	Kinnune
						F21V 15/01
						362/157
				2009/0296403 A1	12/2009	Zhang et al.
				2012/0087118 A1 *	4/2012	Bailey
						F21V 29/75
						362/235
				2014/0247590 A1 *	9/2014	Wilcox
						F21V 29/74
						362/231

* cited by examiner

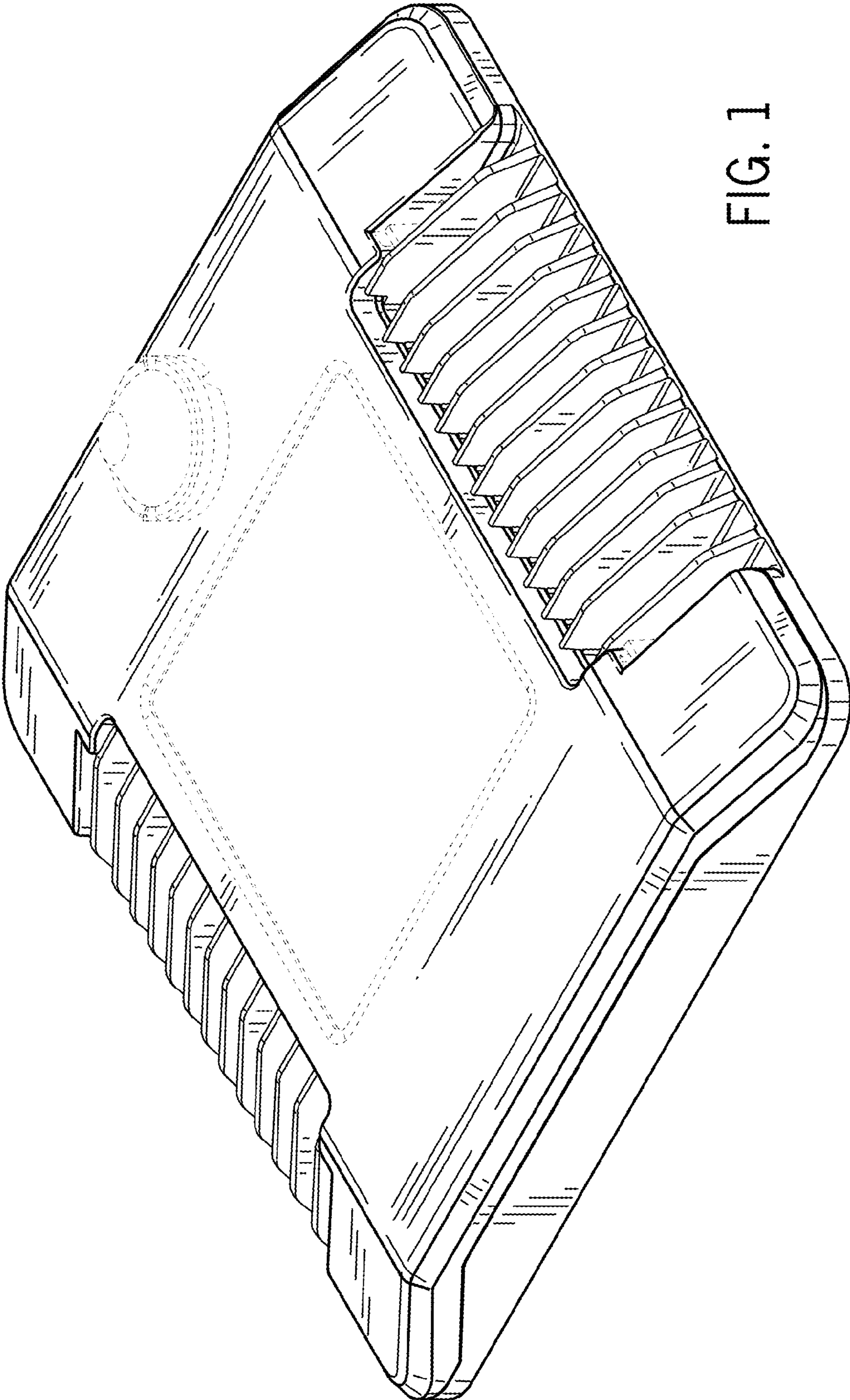


FIG. 1

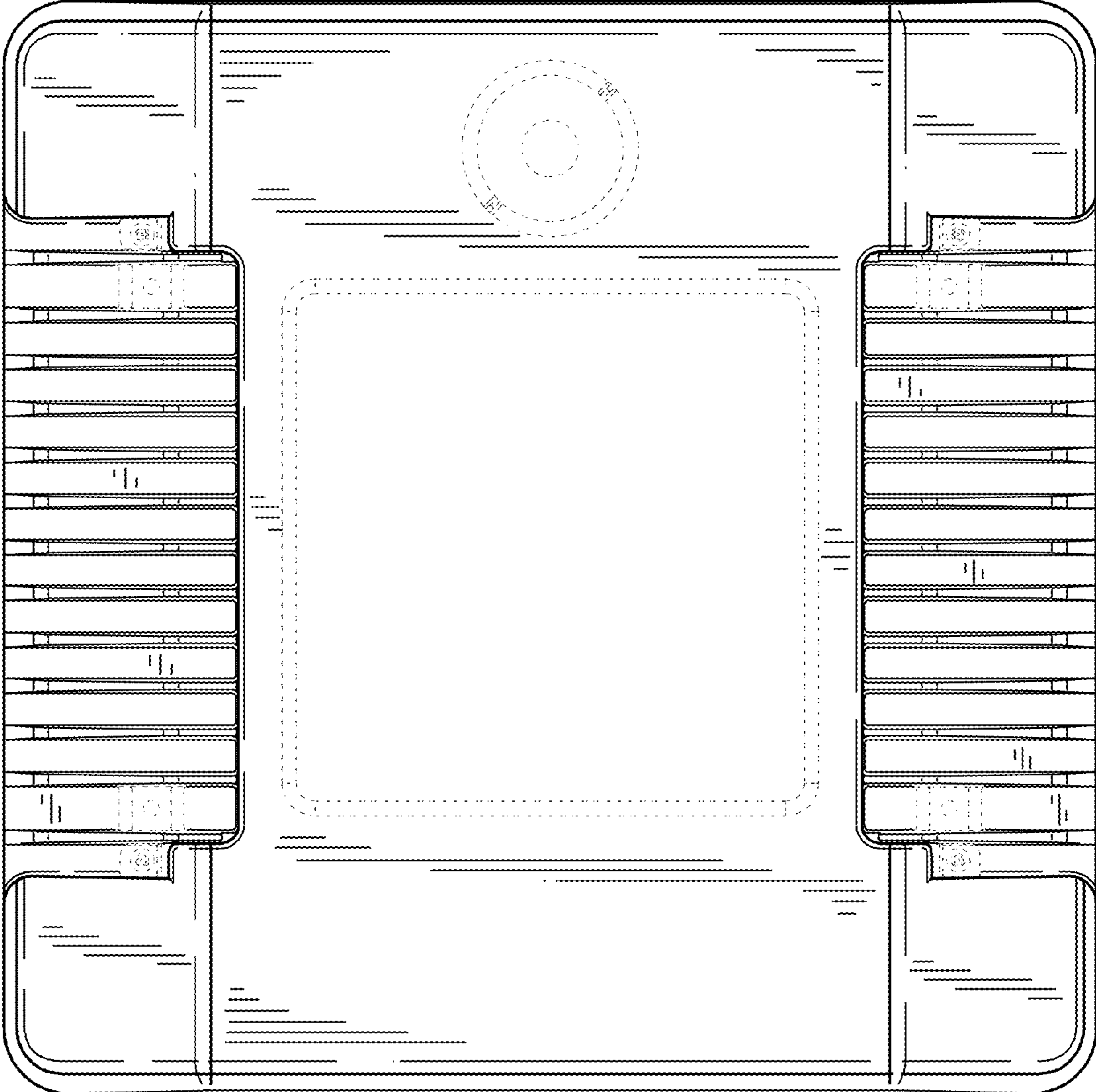


FIG. 2

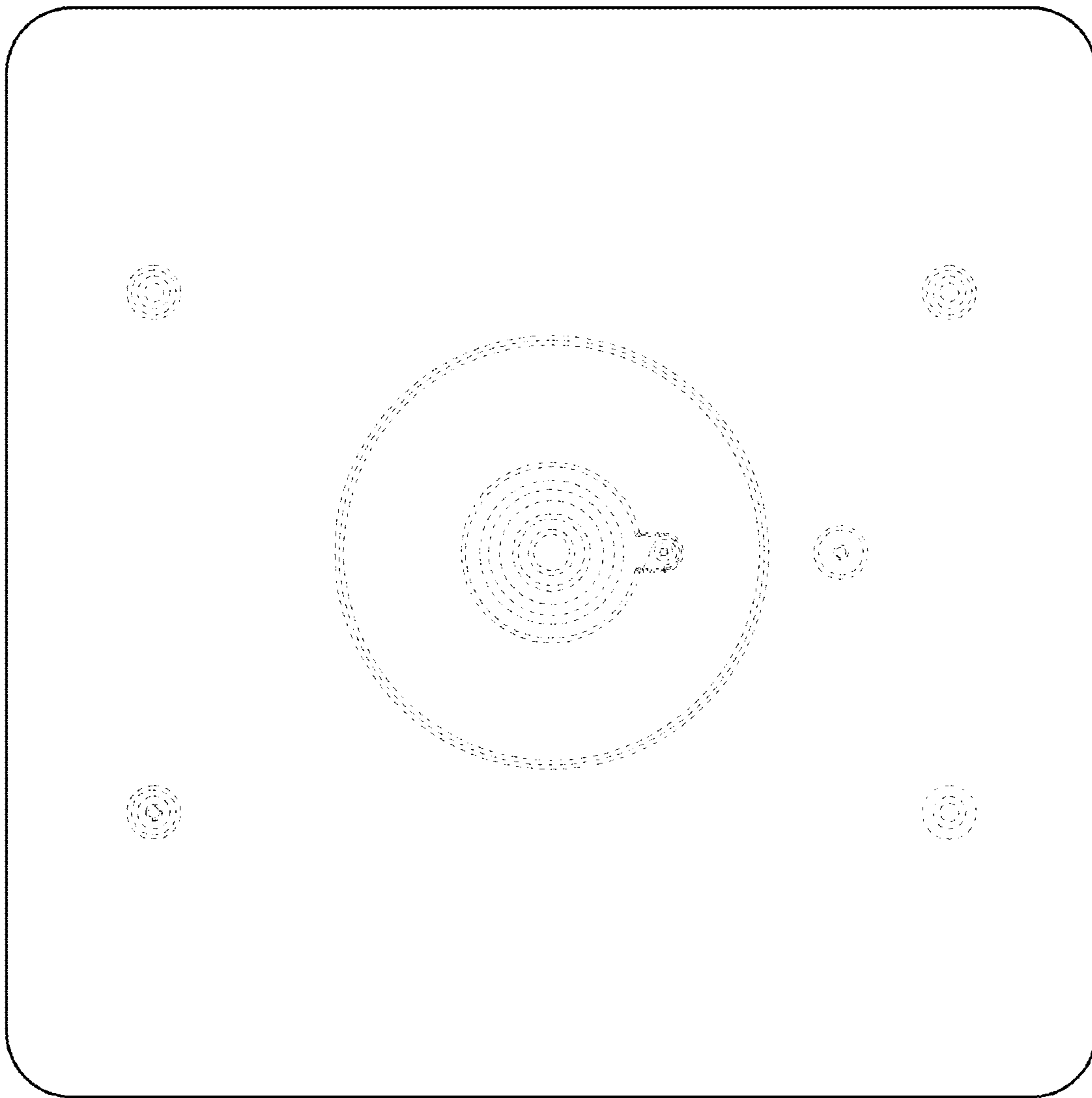


FIG. 3

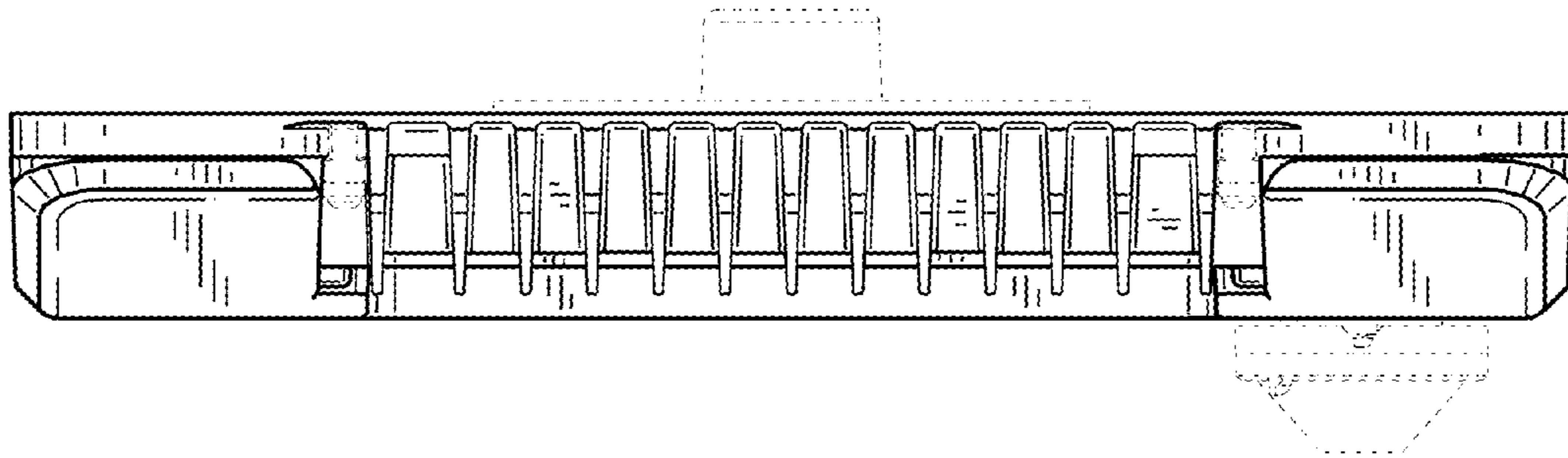


FIG. 4

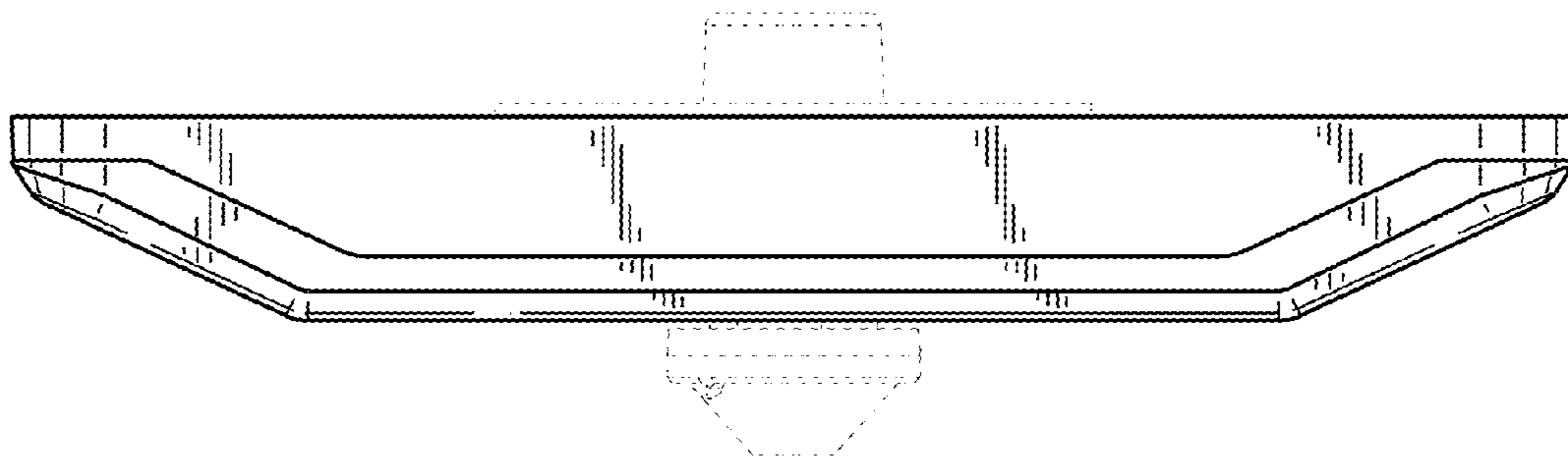


FIG. 5