



US00D743083S

(12) **United States Design Patent**
Bembridge et al.

(10) **Patent No.:** **US D743,083 S**

(45) **Date of Patent:** **** Nov. 10, 2015**

(54) **LED ROAD LUMINAIRE**

(56) **References Cited**

(71) Applicant: **KONINKLIJKE PHILIPS N.V.**,
Eindhoven (NL)

U.S. PATENT DOCUMENTS

(72) Inventors: **Mathew Lee Bembridge**, Rotterdam
(NL); **Jacek Wasyluk**, Gizycko (PL);
Aeneas Johannes Fletterman,
Eindhoven (NL)

D209,081	S	*	10/1967	Netland	D26/71
D220,778	S	*	5/1971	Jablonski	D26/71
D637,336	S	*	5/2011	Van Klinken et al.	D26/71
D645,190	S	*	9/2011	Van Klinken et al.	D26/71
8,287,150	B2	*	10/2012	Schaefer et al.	362/249.02
D672,491	S	*	12/2012	Shin et al.	D26/71
D675,768	S	*	2/2013	Jurdana et al.	D26/71
D676,589	S	*	2/2013	Elam	D26/71
8,517,575	B2	*	8/2013	Arai	362/373
D694,935	S	*	12/2013	Zheng et al.	D26/71
8,641,234	B2	*	2/2014	Dube et al.	362/249.07
D709,635	S	*	7/2014	Coulbeaut	D26/71
8,915,616	B2	*	12/2014	Jeon et al.	362/294
D726,947	S	*	4/2015	Boyer et al.	D26/71
9,052,073	B2	*	6/2015	Wang et al.	1/1

(73) Assignee: **KONINKLIJKE PHILIPS N.V.**,
Eindhoven (NL)

(**) Term: **14 Years**

* cited by examiner

(21) Appl. No.: **29/503,170**

Primary Examiner — Clare E Heflin

(22) Filed: **Sep. 24, 2014**

(57) **CLAIM**

(30) **Foreign Application Priority Data**

The ornamental design for a LED road luminaire, as shown and described.

Mar. 26, 2014 (EM) 002432823-0001

DESCRIPTION

(51) **LOC (10) Cl.** **26-05**

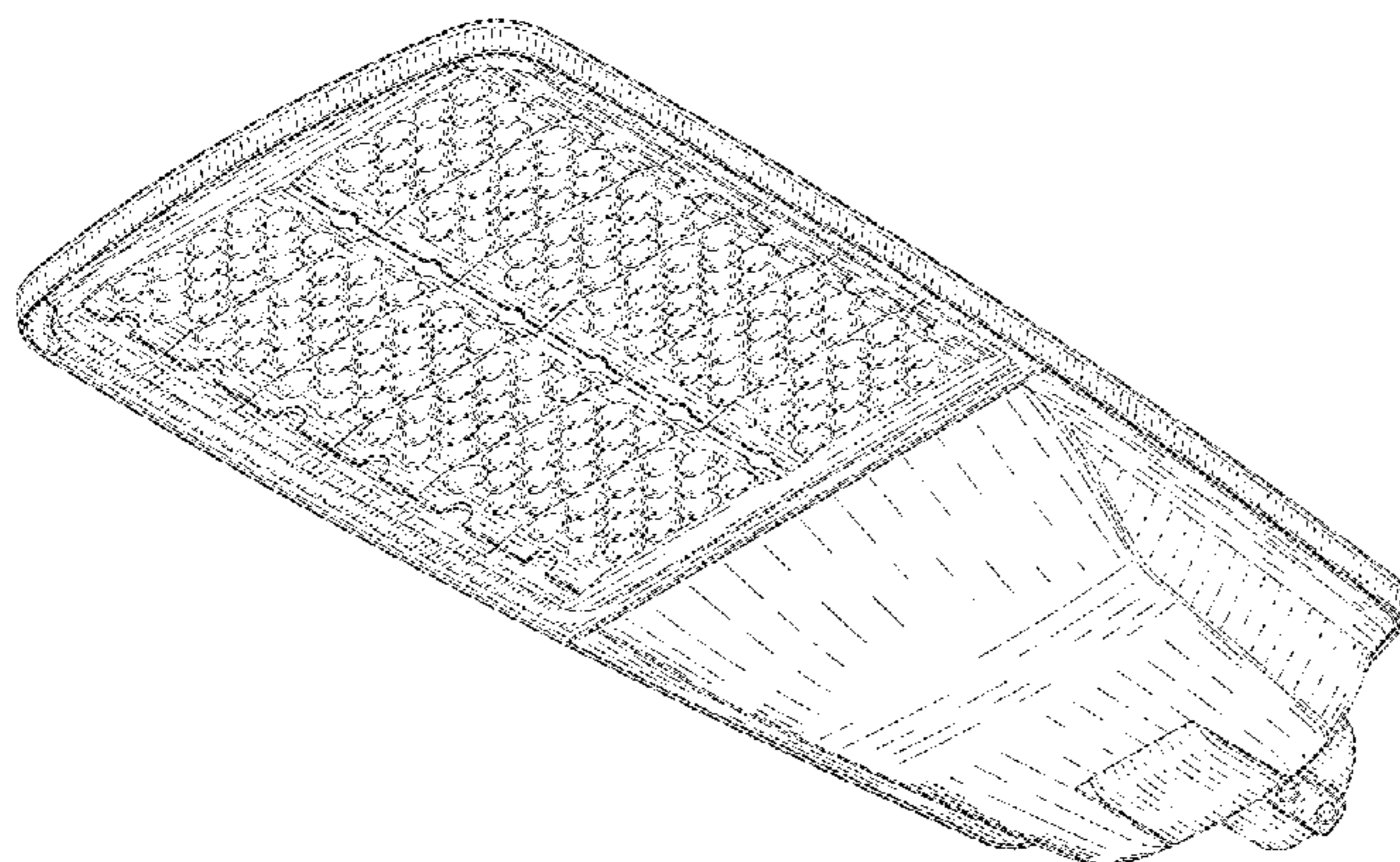
FIG. 1 is a perspective view showing my design;
FIG. 2 is a front elevational view thereof;
FIG. 3 is a rear elevational view thereof;
FIG. 4 is a right side elevational view thereof;
FIG. 5 is a left side elevational view thereof;
FIG. 6 is a top plan view thereof; and,
FIG. 7 is a bottom plan view thereof.
The broken lines shown in FIG. 3 depict portions of the luminaire that form no part of the claimed design.

(52) **U.S. Cl.**
USPC **D26/71**

(58) **Field of Classification Search**
USPC D26/67-72, 92
CPC F21S 8/08; F21S 8/085; F21S 8/086;
F21S 8/088; F21V 21/13

See application file for complete search history.

1 Claim, 5 Drawing Sheets



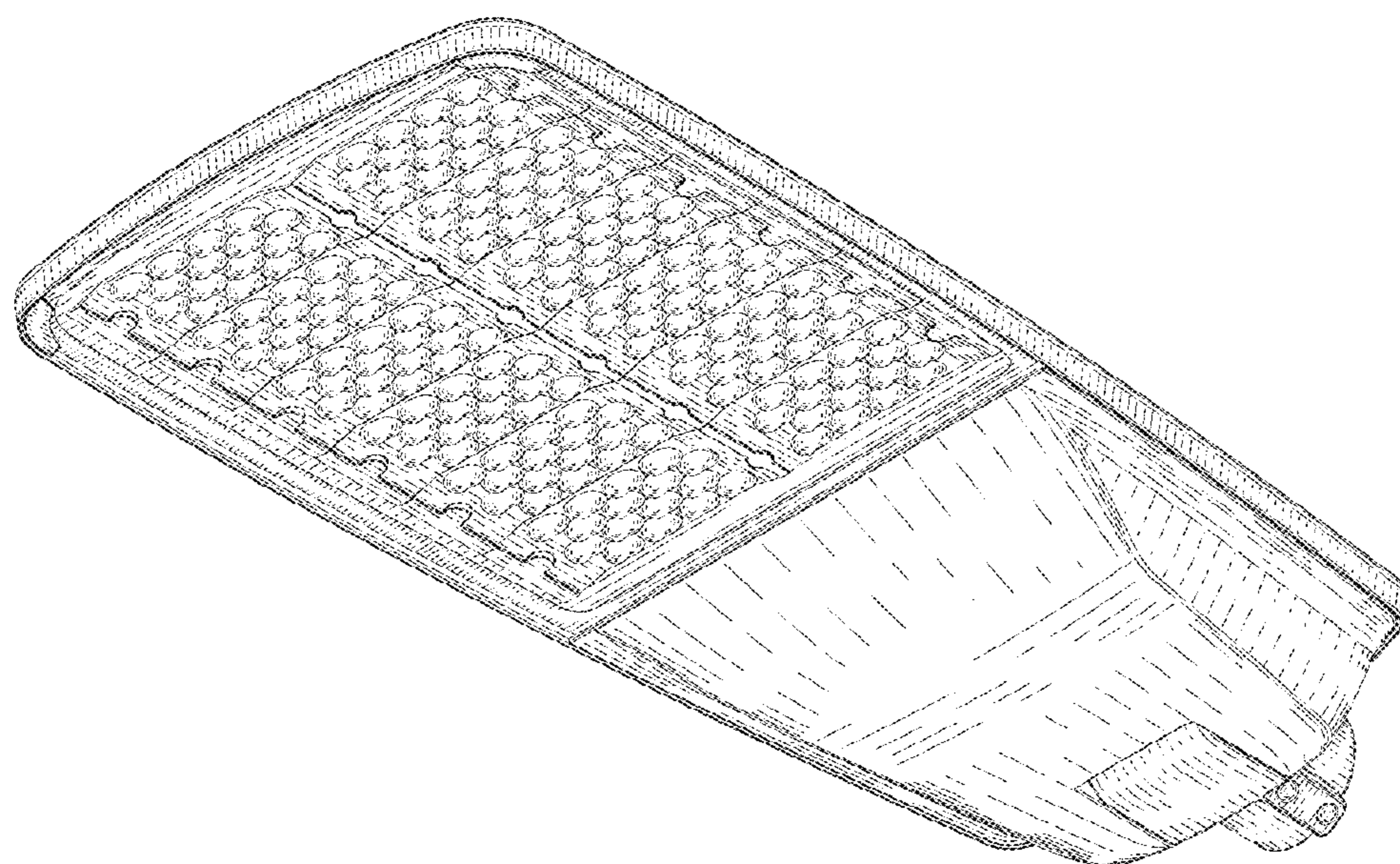


FIG. 1

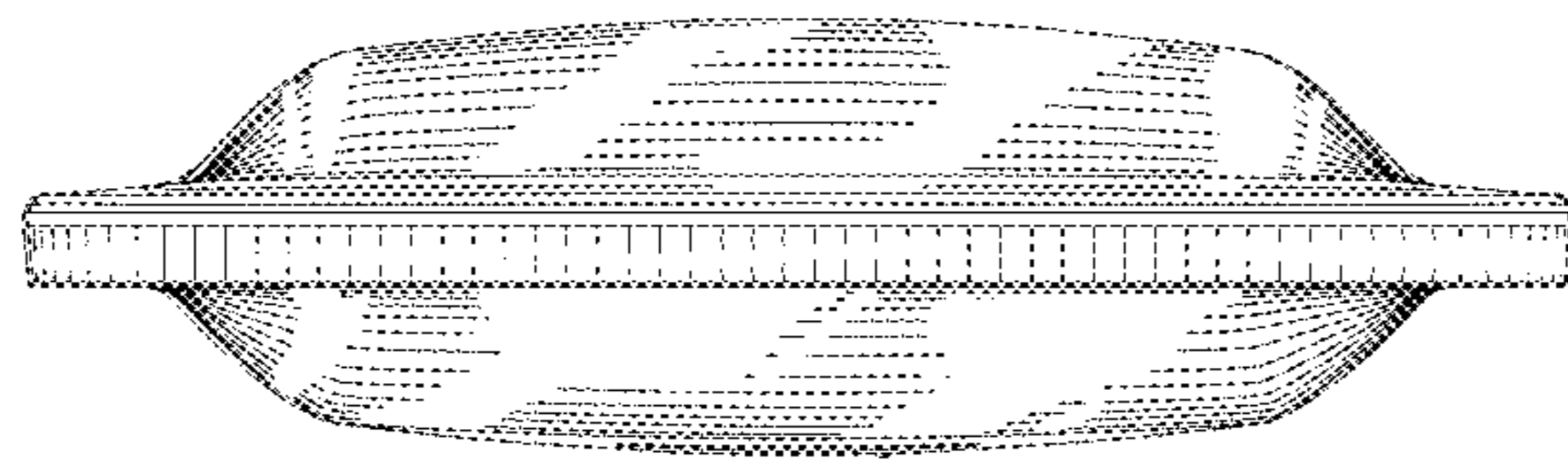


FIG. 2

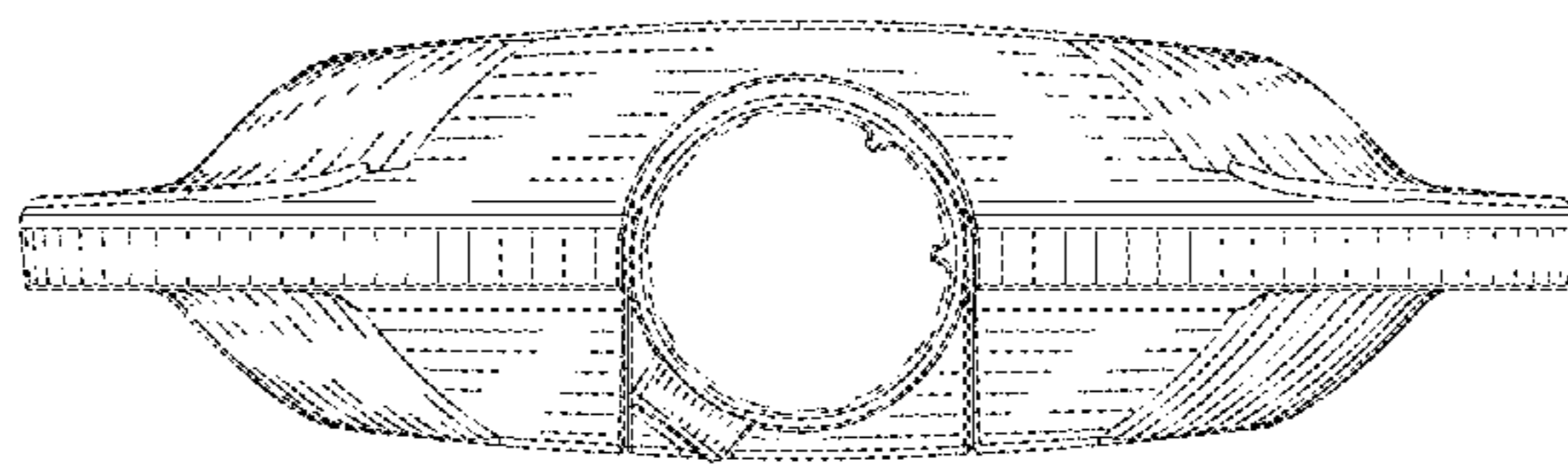


FIG. 3

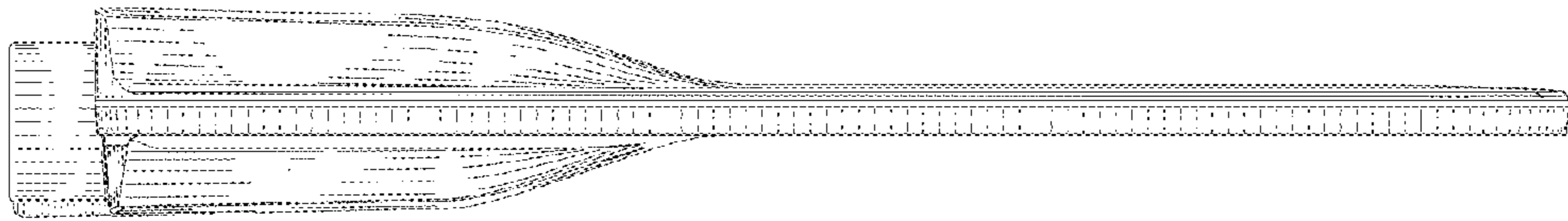


FIG. 4

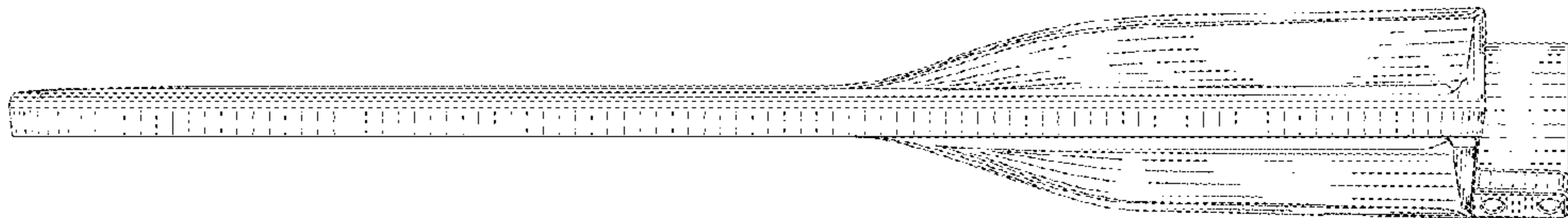


FIG. 5

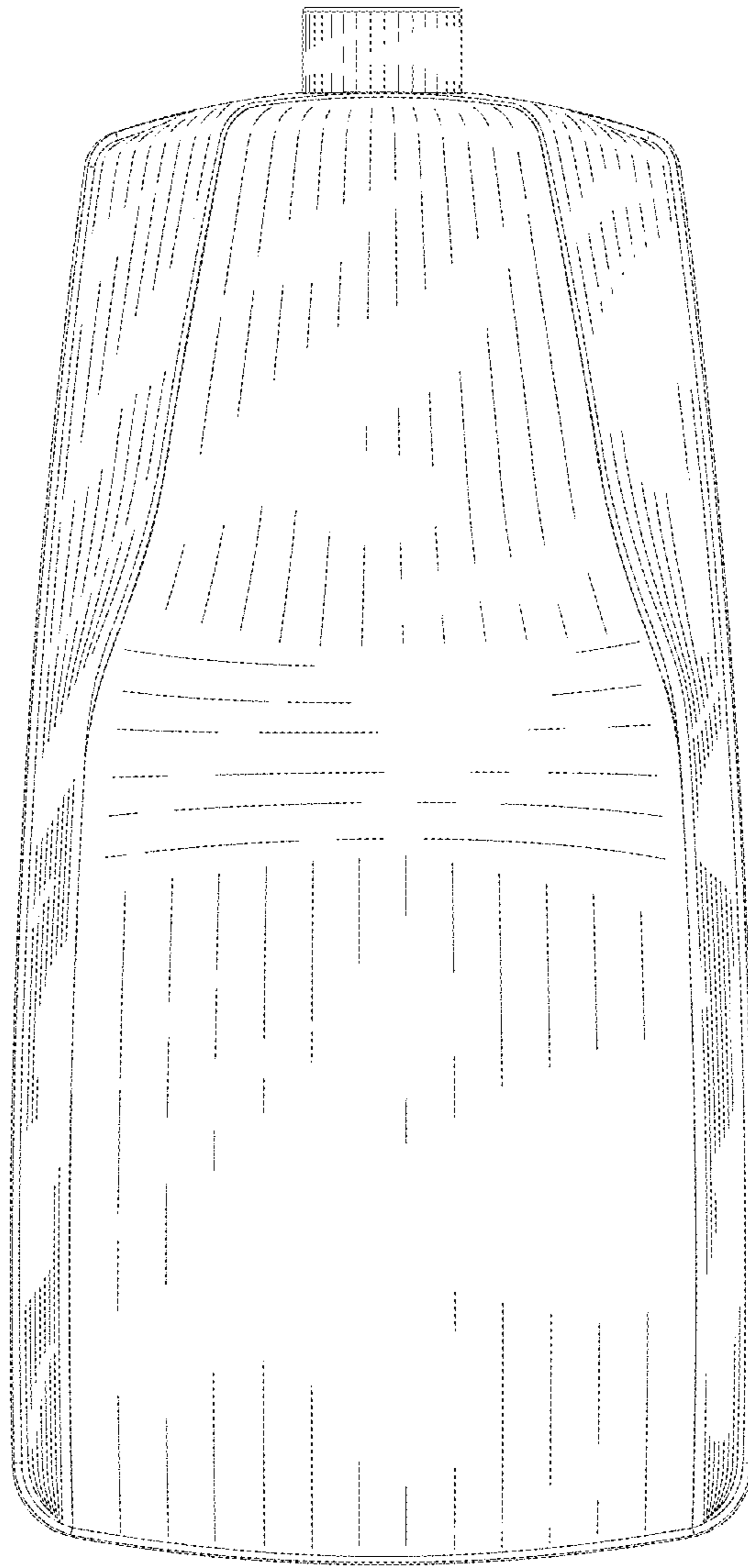


FIG. 6

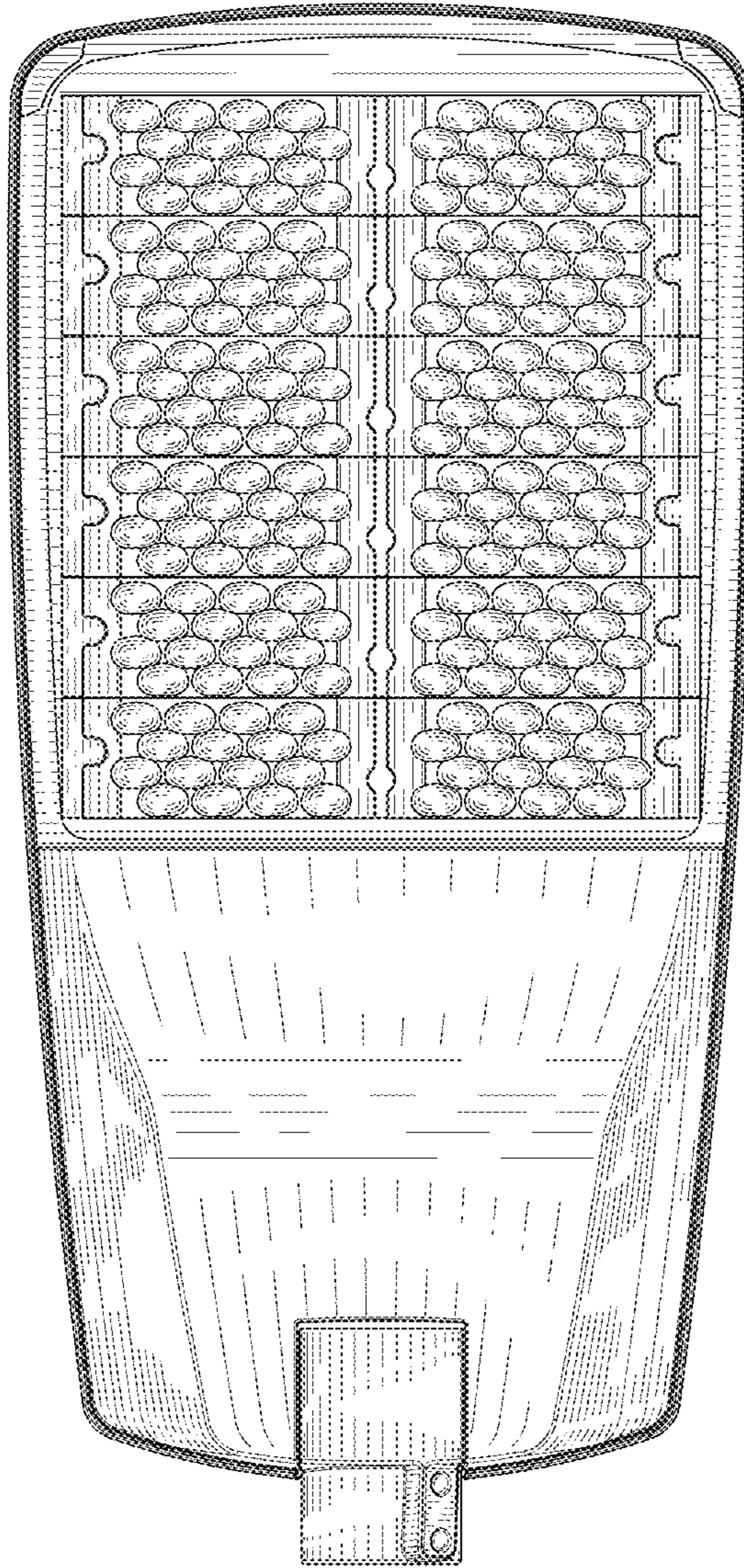


FIG. 7