



US00D743082S

(12) **United States Design Patent**  
**Neri**

(10) **Patent No.:** **US D743,082 S**

(45) **Date of Patent:** **\*\* Nov. 10, 2015**

(54) **PUBLIC LIGHTING FIXTURE**

(71) Applicant: **ENEL SOLE S.r.l.**, Rome (IT)

(72) Inventor: **Isacco Neri**, Longiano (IT)

(73) Assignee: **ENEL SOLE S.r.l.**, Rome (IT)

(\*\*) Term: **14 Years**

(21) Appl. No.: **29/489,724**

(22) Filed: **May 2, 2014**

(30) **Foreign Application Priority Data**

Nov. 4, 2013 (WO) ..... DM/082 167

(51) **LOC (10) Cl.** ..... **26-05**

(52) **U.S. Cl.**  
USPC ..... **D26/71**

(58) **Field of Classification Search**  
USPC ..... D26/67-72, 92  
CPC ..... F21S 8/08; F21S 8/085; F21S 8/086;  
F21S 8/088; F21V 21/13; F21V 19/04  
See application file for complete search history.

(56) **References Cited**

**U.S. PATENT DOCUMENTS**

D199,366 S *	10/1964	Izzi	.....	D26/71
D203,217 S *	12/1965	Greenhaw	.....	D26/71
D206,240 S *	11/1966	Rutter	.....	D26/71
4,234,912 A *	11/1980	Barnes et al.	.....	362/145
D347,080 S *	5/1994	Mehaffey et al.	.....	D26/71
D348,531 S *	7/1994	Mehaffey et al.	.....	D26/71
D572,857 S *	7/2008	Kauffman et al.	.....	D26/71
D605,328 S *	12/2009	Wang et al.	.....	D26/71
8,025,419 B2 *	9/2011	Yang	.....	362/153.1
D660,493 S *	5/2012	Janssen et al.	.....	D26/71
8,267,541 B2 *	9/2012	Watanabe et al.	.....	362/183
D682,452 S *	5/2013	Henderson et al.	.....	D26/71
8,485,684 B2 *	7/2013	Lou et al.	.....	362/217.05

D708,379 S *	7/2014	Ruffalo et al.	.....	D26/71
D708,380 S *	7/2014	Ruffalo et al.	.....	D26/71
9,028,087 B2 *	5/2015	Wilcox et al.	.....	362/101

**FOREIGN PATENT DOCUMENTS**

WO	DM073702	7/2010
WO	DM077771	3/2012
WO	2013111171 A1	8/2013
WO	DM082069	11/2013

\* cited by examiner

*Primary Examiner* — Clare E Heflin

(74) *Attorney, Agent, or Firm* — Thomas|Horstemeyer, LLP

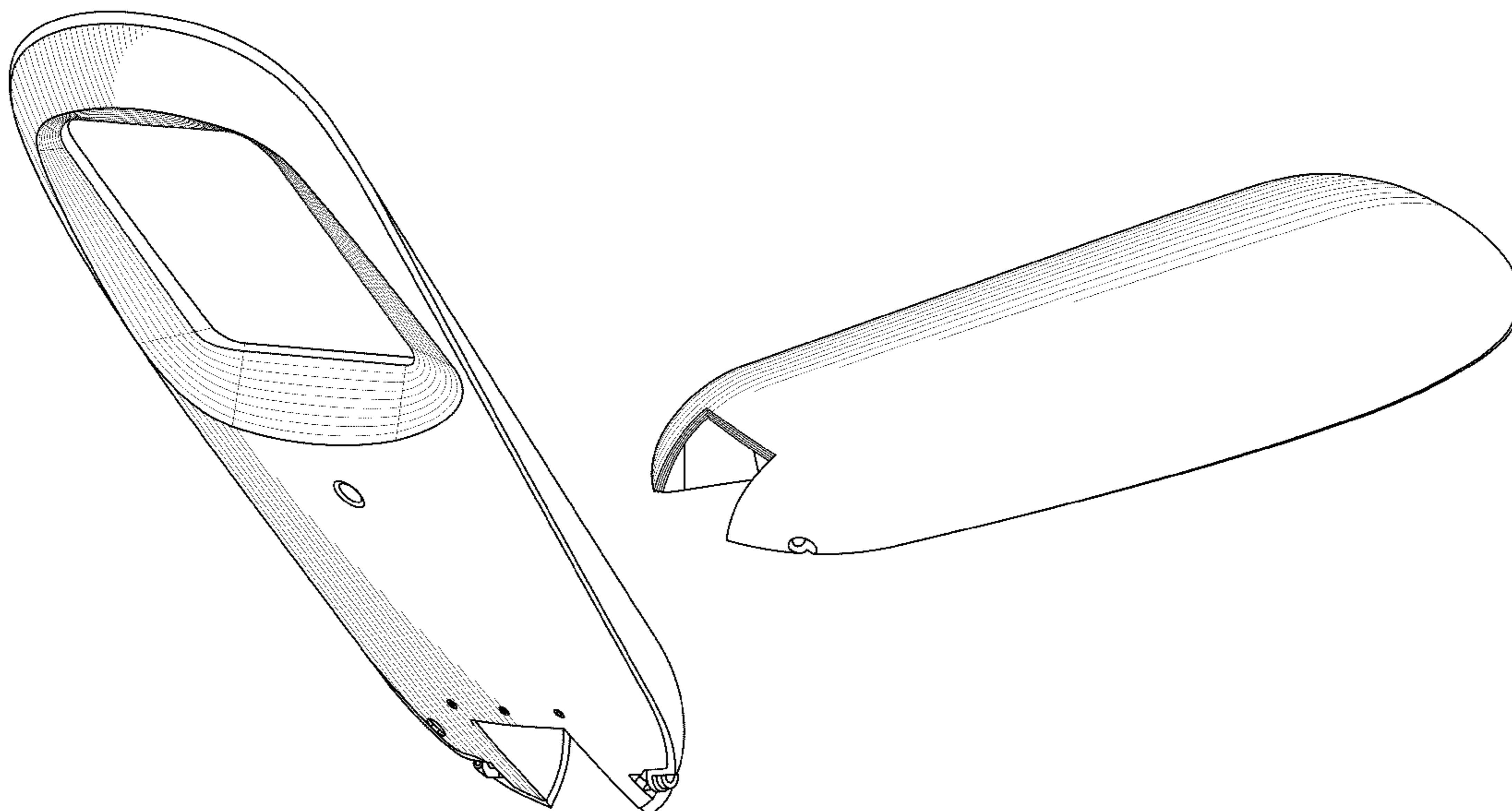
(57) **CLAIM**

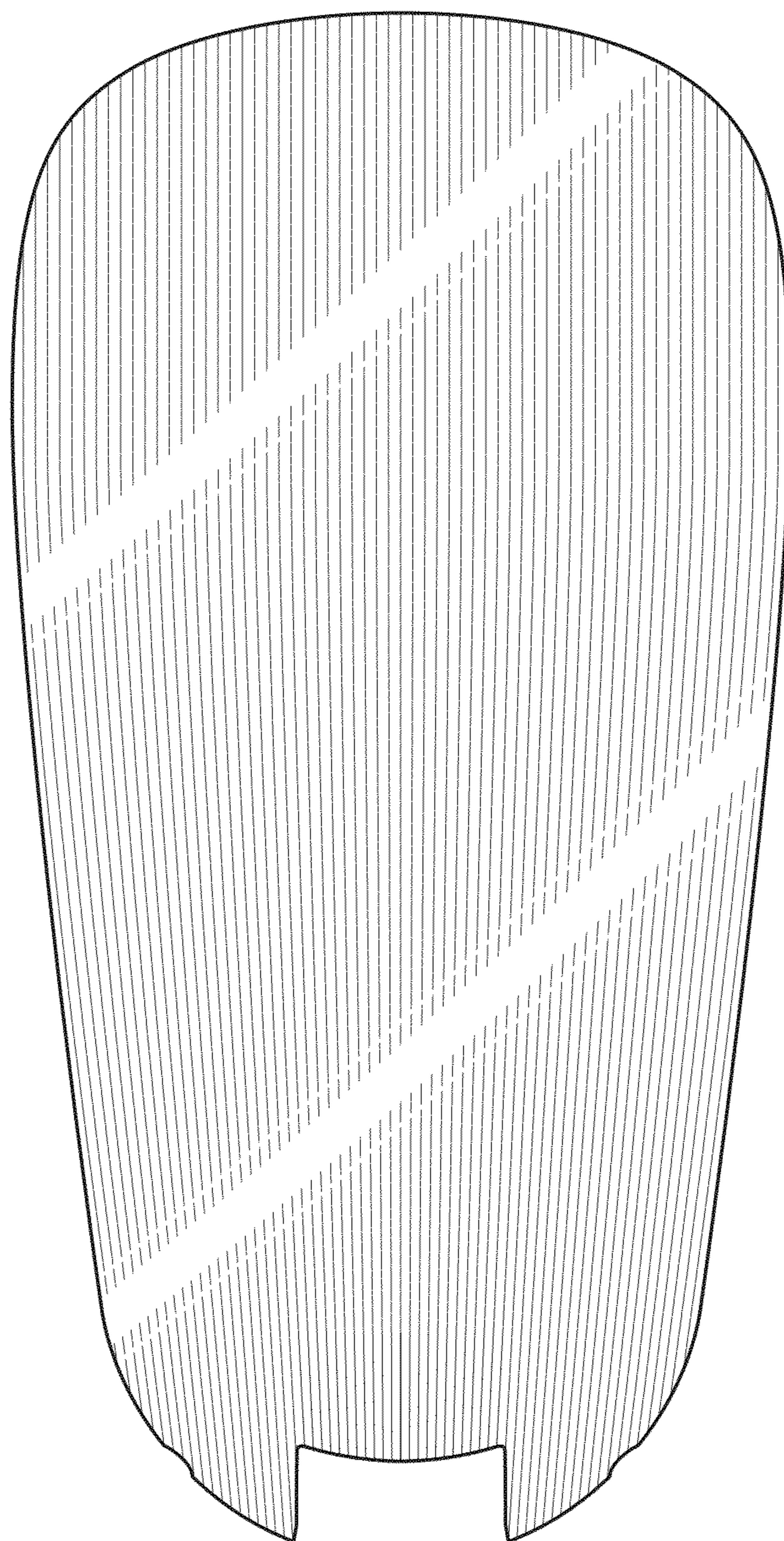
The ornamental design for a public lighting fixture, as shown and described.

**DESCRIPTION**

FIG. 1 is a top plan view of my new public lighting fixture; FIG. 2 is a bottom plan view of my new public lighting fixture of FIG. 1; FIG. 3 is a left side elevational view of my new public lighting fixture of FIG. 1; FIG. 4 is a right side elevational view of my new public lighting fixture from a side opposite that of FIG. 3; FIG. 5 is an end elevational view of my new public lighting fixture of FIG. 1; FIG. 6 is an end elevational view of my new public lighting fixture from an end opposite that of FIG. 5; FIG. 7 is a bottom perspective view of my new public lighting fixture of FIG. 1; FIG. 8 is a bottom perspective view of my new public lighting fixture from an end opposite that of FIG. 7; and, FIG. 9 is a top perspective view of my new public lighting fixture of FIG. 1.

**1 Claim, 6 Drawing Sheets**





**FIG. 1**

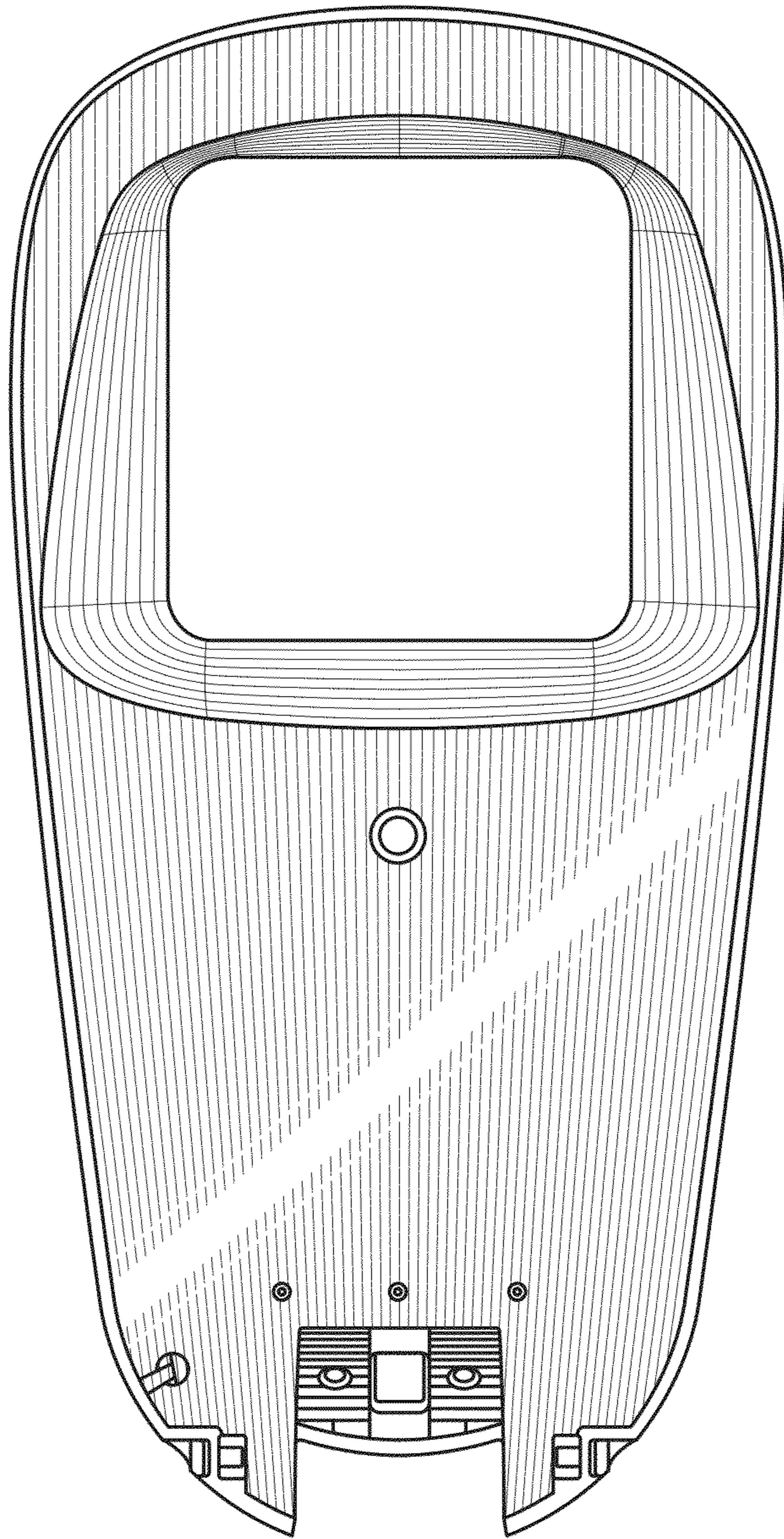


FIG. 2

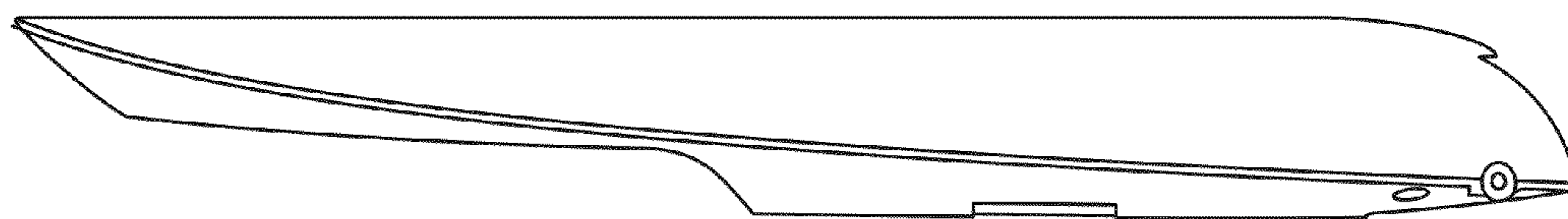


FIG. 3

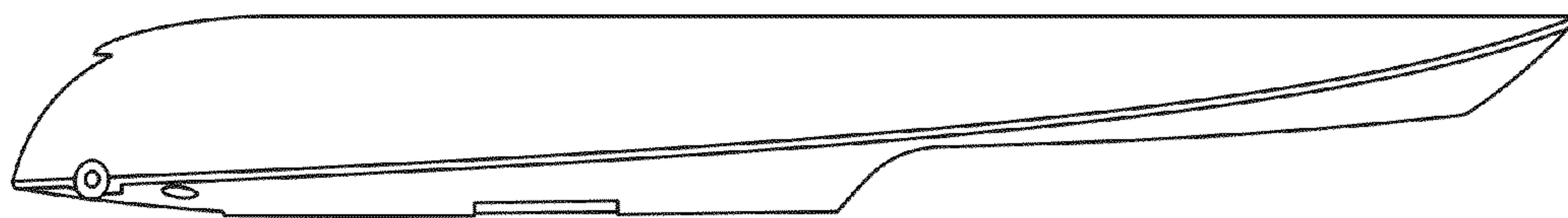
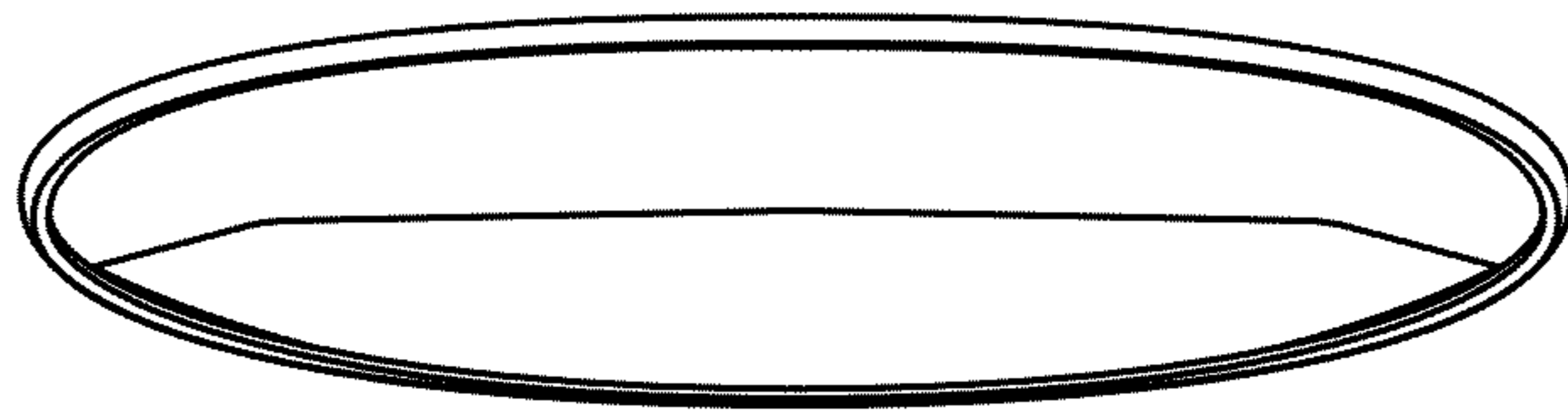
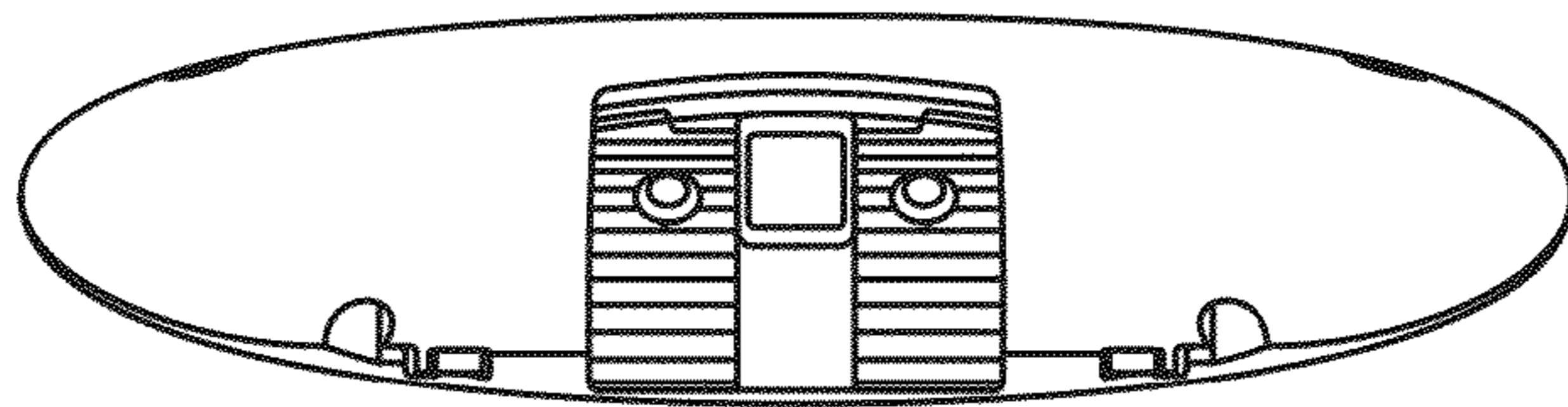


FIG. 4



**FIG. 5**



**FIG. 6**

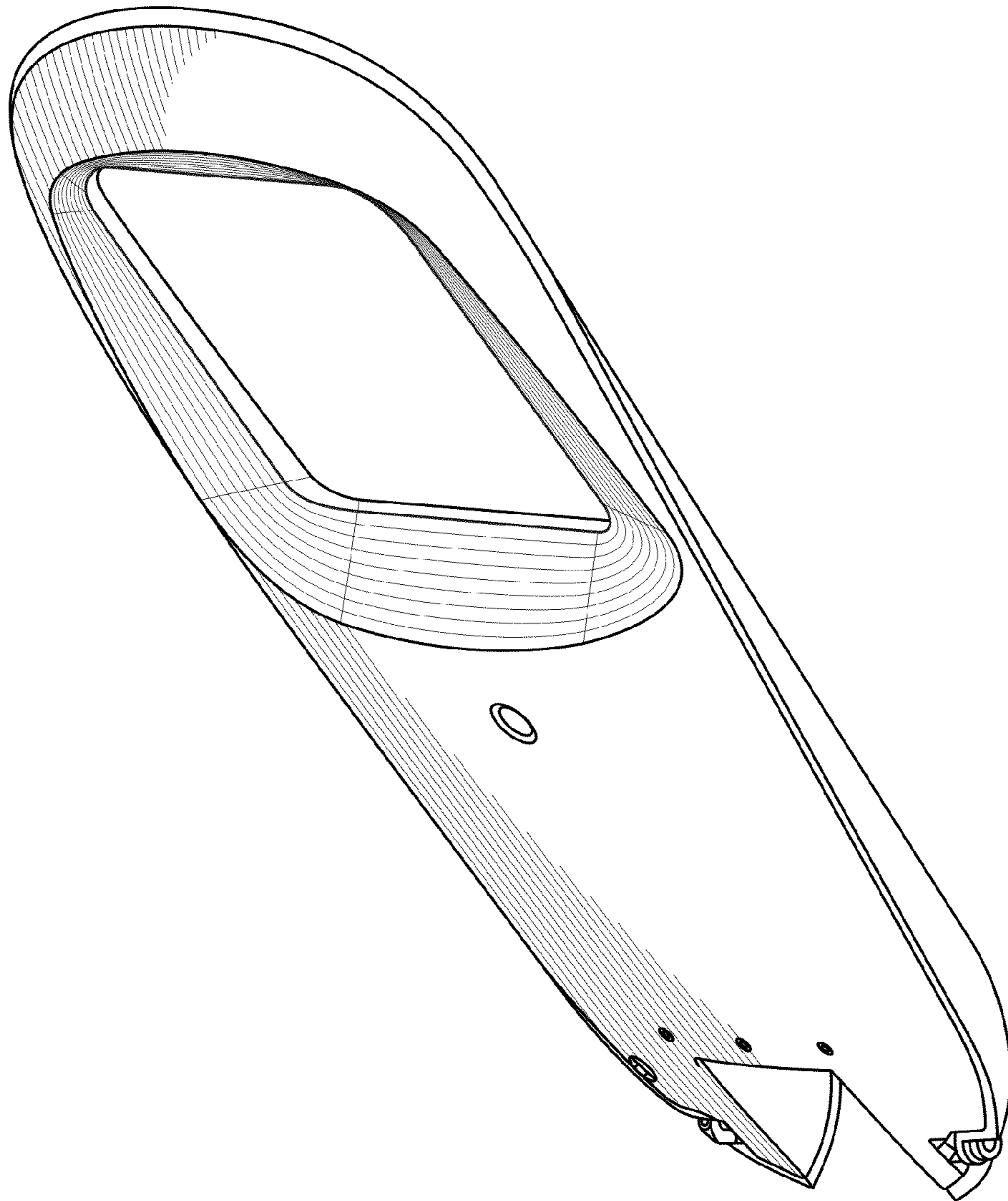


FIG. 7

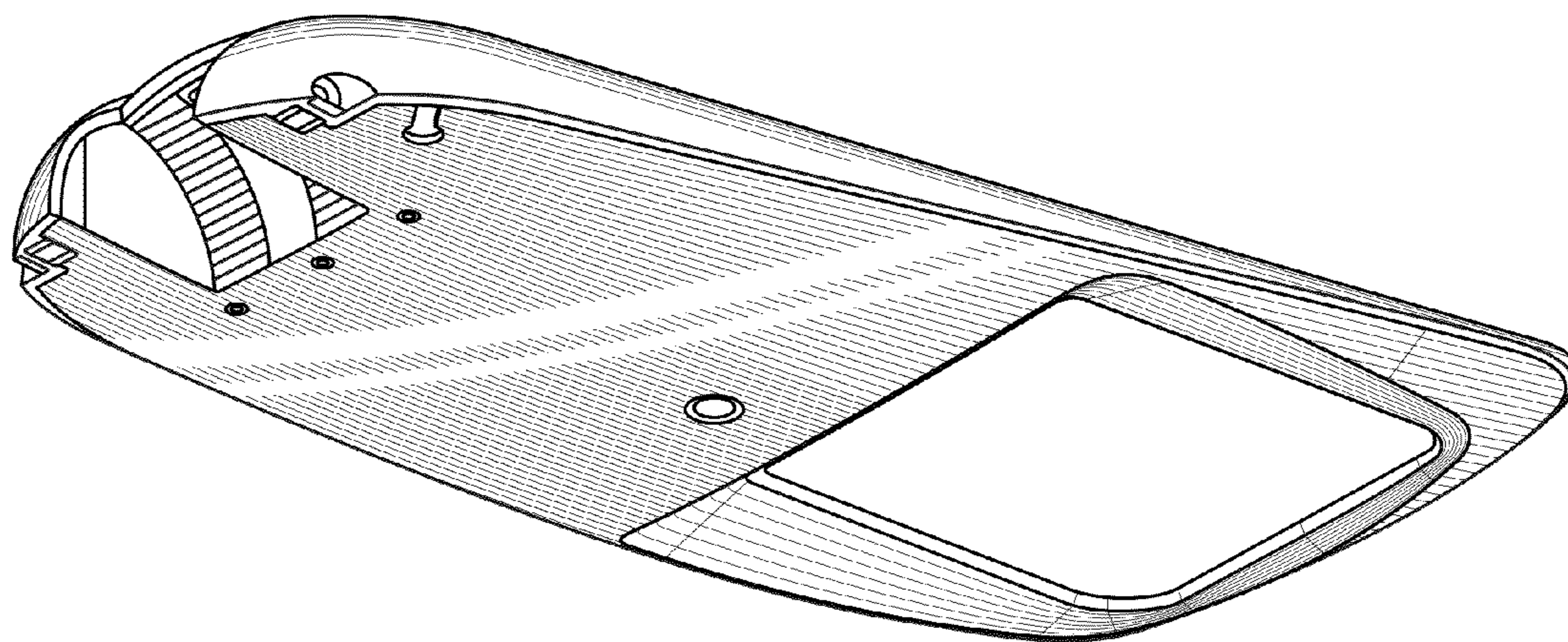


FIG. 8

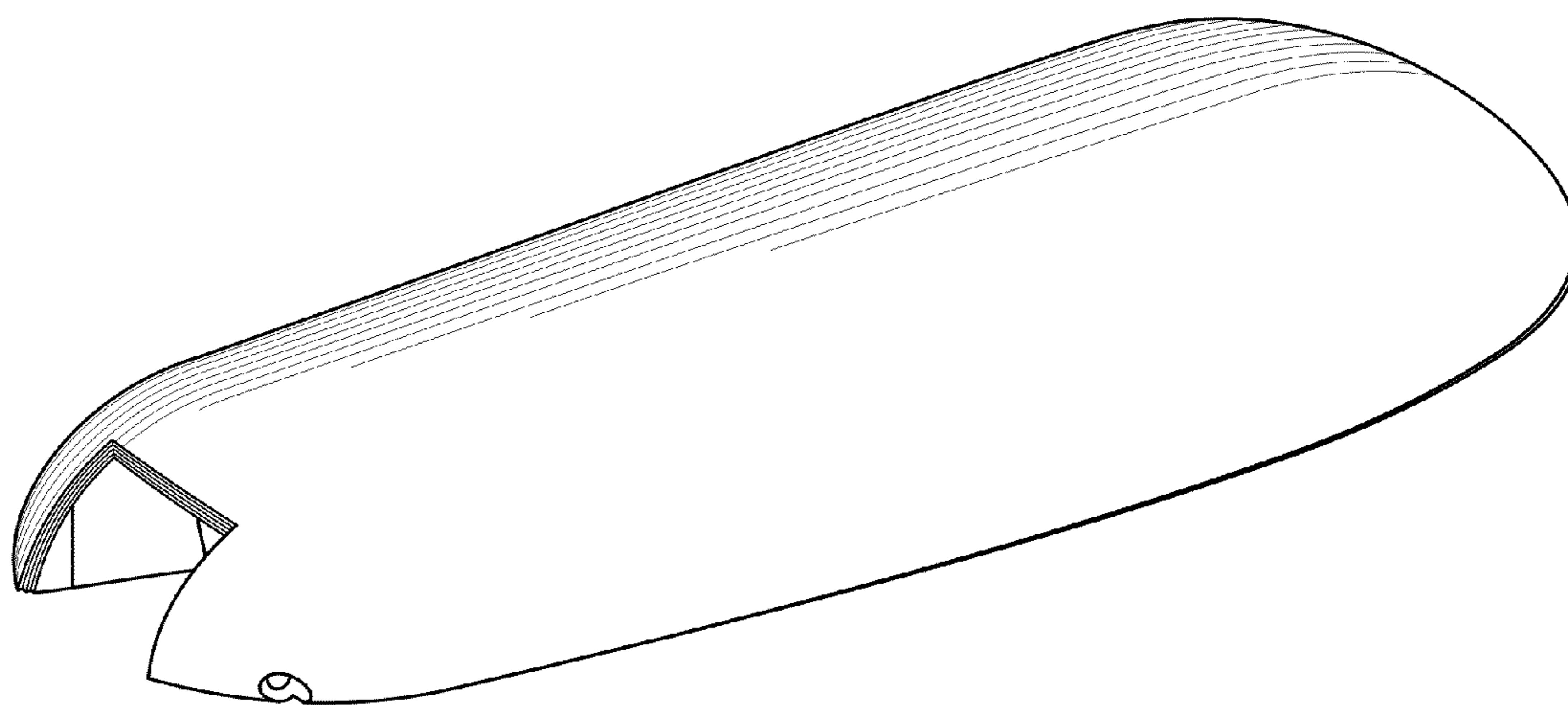


FIG. 9