



US00D743078S

(12) **United States Design Patent**  
**Hochman**

(10) **Patent No.:** **US D743,078 S**

(45) **Date of Patent:** **\*\* Nov. 10, 2015**

(54) **MOVING STAGE LIGHT WITH LIGHT TUBE**

(71) Applicant: **REVOLUTION DISPLAY, INC.**,  
Glendale, CA (US)

(72) Inventor: **Jeremy Hochman**, Glendale, CA (US)

(73) Assignee: **Revolution Display, LLC**, Glendale, CA  
(US)

(\*\*) Term: **14 Years**

(21) Appl. No.: **29/481,415**

(22) Filed: **Feb. 5, 2014**

(51) **LOC (10) Cl.** ..... **26-05**

(52) **U.S. Cl.**  
USPC ..... **D26/63**

(58) **Field of Classification Search**  
USPC ..... D26/61, 63-66, 72, 24  
CPC ..... F21S 8/05; F21S 8/08  
See application file for complete search history.

(56) **References Cited**

**U.S. PATENT DOCUMENTS**

D318,132 S *	7/1991	Solow	.....	D26/28
D328,571 S *	8/1992	Hauser	.....	D10/114.1
D367,330 S *	2/1996	Gill	.....	D26/28
D413,995 S *	9/1999	Lee et al.	.....	D26/63

D439,356 S *	3/2001	Martinson et al.	.....	D26/63
D618,377 S *	6/2010	Toft	.....	D26/63
D620,187 S *	7/2010	Quadri	.....	D26/113
7,789,525 B2 *	9/2010	Vinther	.....	362/190
D639,983 S *	6/2011	Quadri	.....	D26/24
D694,450 S *	11/2013	Valeri et al.	.....	D26/63
D700,385 S *	2/2014	Quadri	.....	D26/63
2008/0062692 A1 *	3/2008	Andersen et al.	.....	362/275
2011/0199770 A1 *	8/2011	Pedersen	.....	362/249.03

\* cited by examiner

*Primary Examiner* — Clare E Heflin

(74) *Attorney, Agent, or Firm* — Downs Rachlin Martin PLLC

(57) **CLAIM**

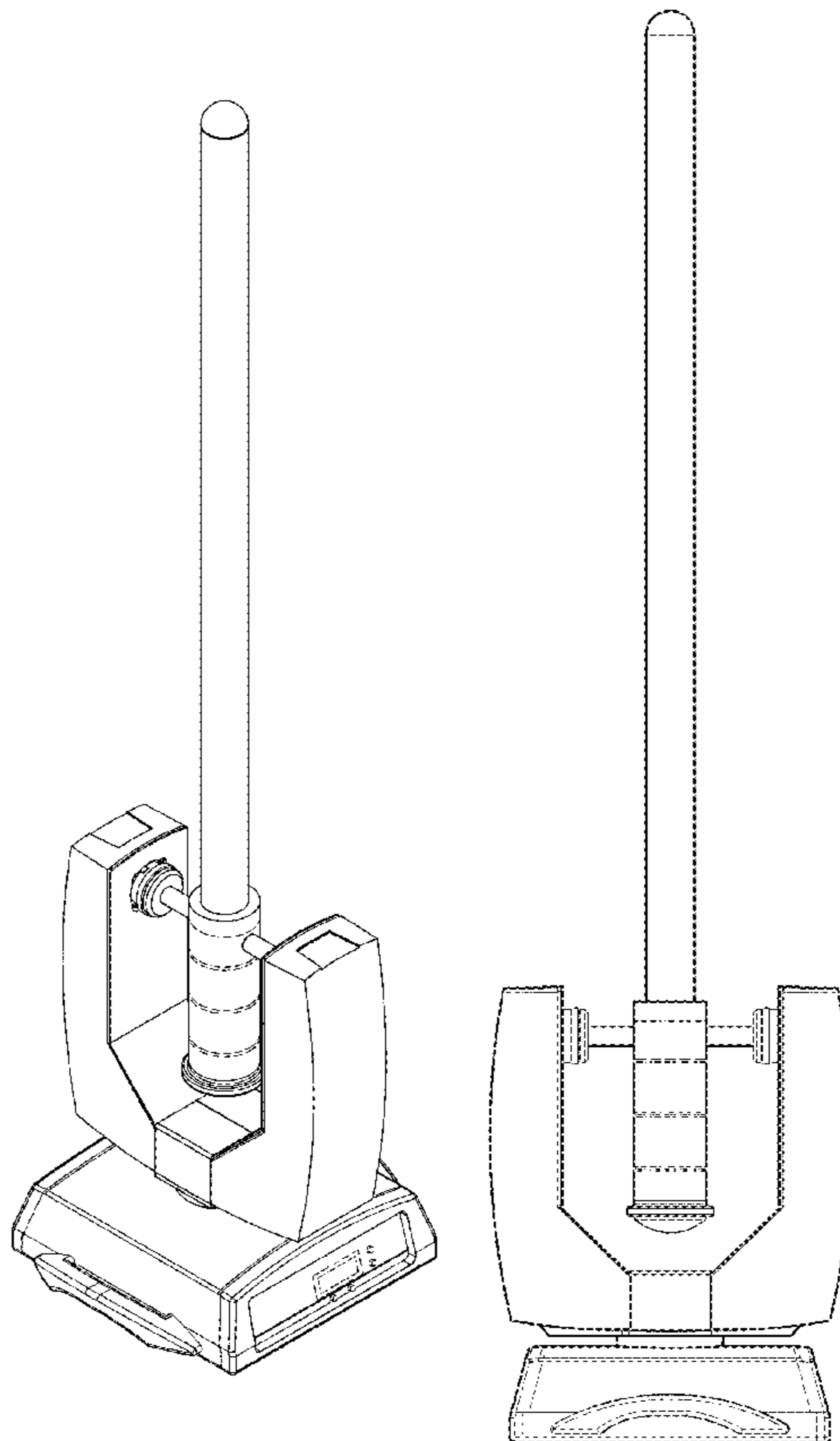
The ornamental design for a moving stage light with light tube, as shown and described.

**DESCRIPTION**

FIG. 1 is a front perspective view of a moving stage light with light tube showing the new design;  
FIG. 2 is a front view thereof;  
FIG. 3 is a right-side view thereof;  
FIG. 4 is a back view thereof;  
FIG. 5 is a left-side view thereof;  
FIG. 6 is a top view thereof; and,  
FIG. 7 is a bottom view thereof.

The broken lines in the drawing are for the purpose of illustrating unclaimed portions of the moving stage light with light tube and form no part of the claimed design.

**1 Claim, 6 Drawing Sheets**



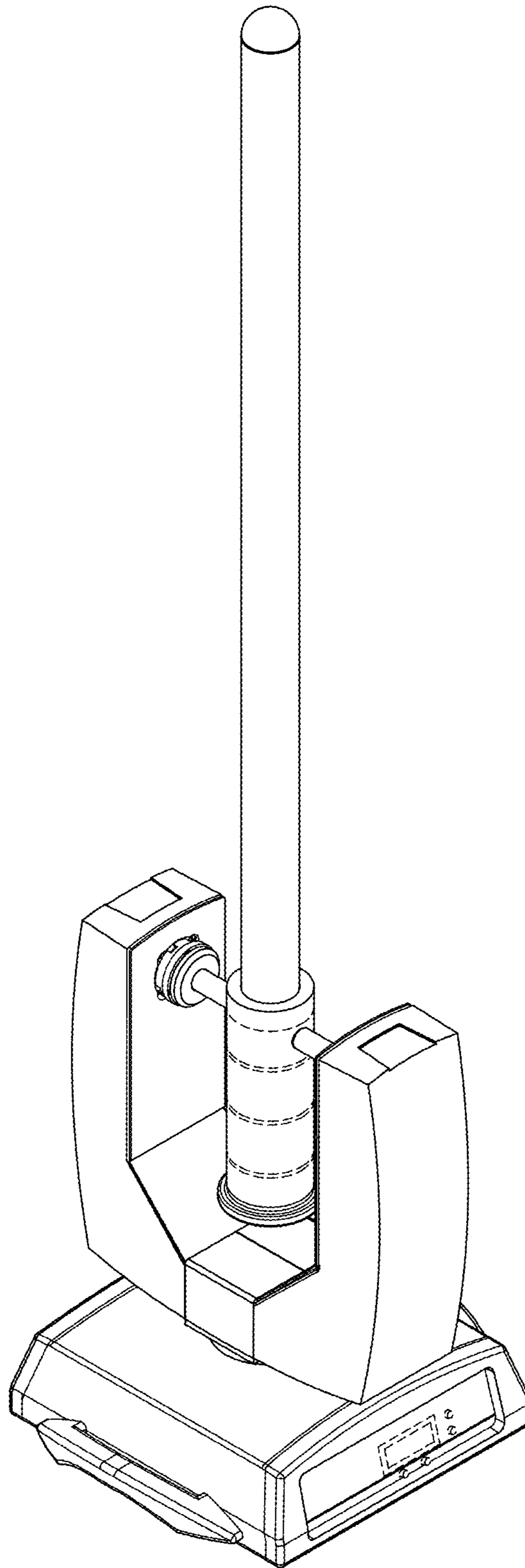


FIG. 1

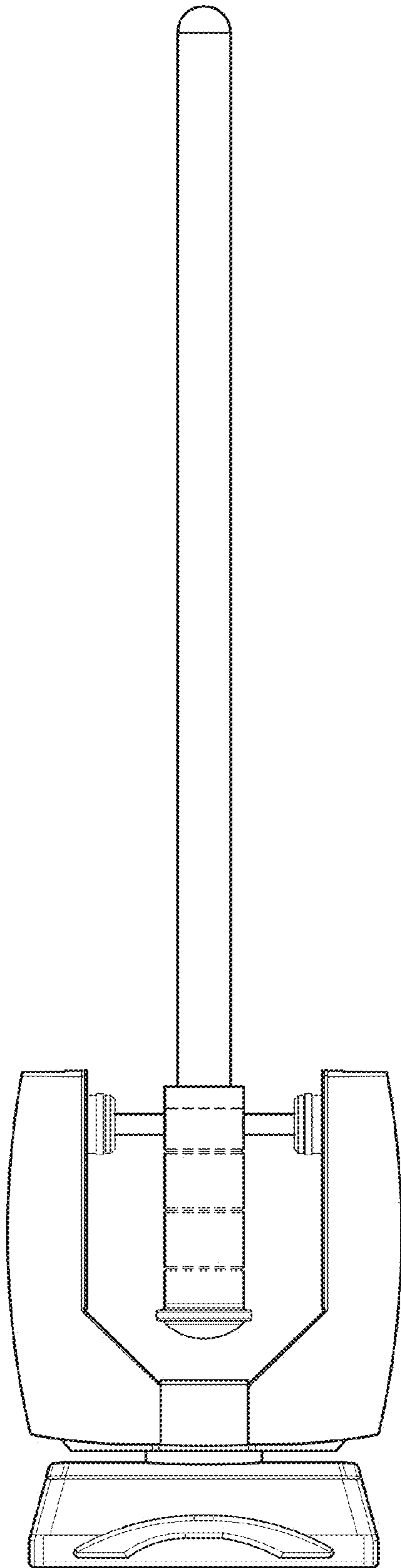


FIG. 2

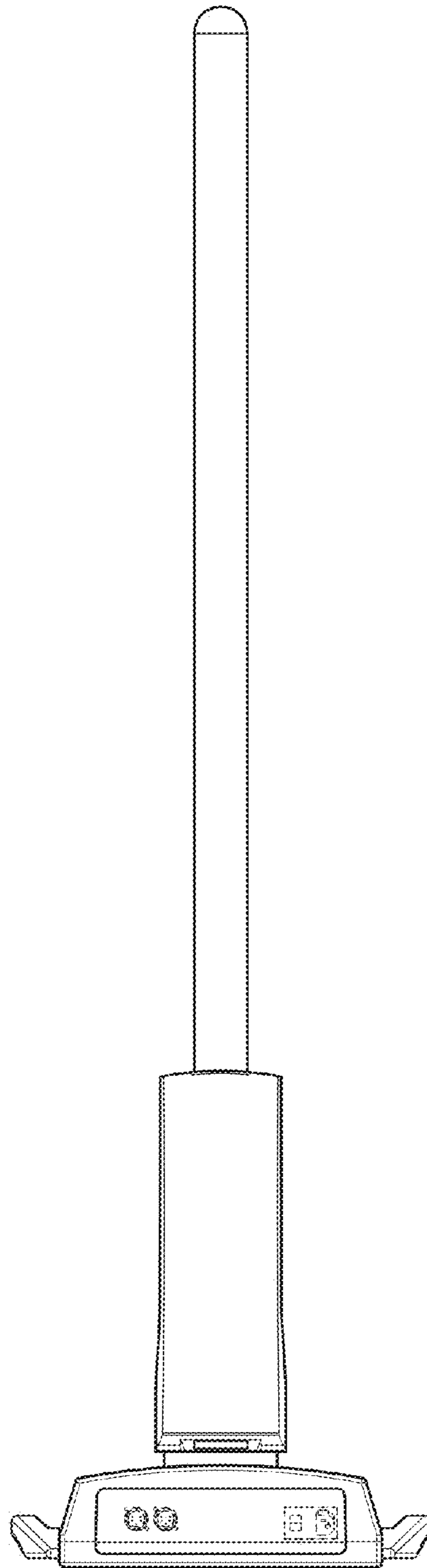


FIG. 3

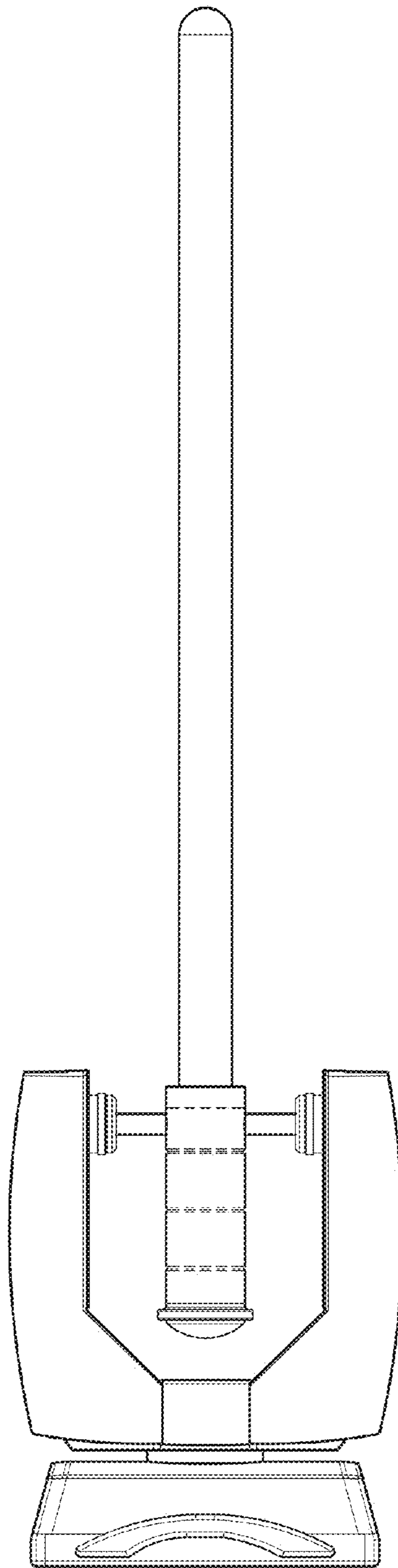


FIG. 4

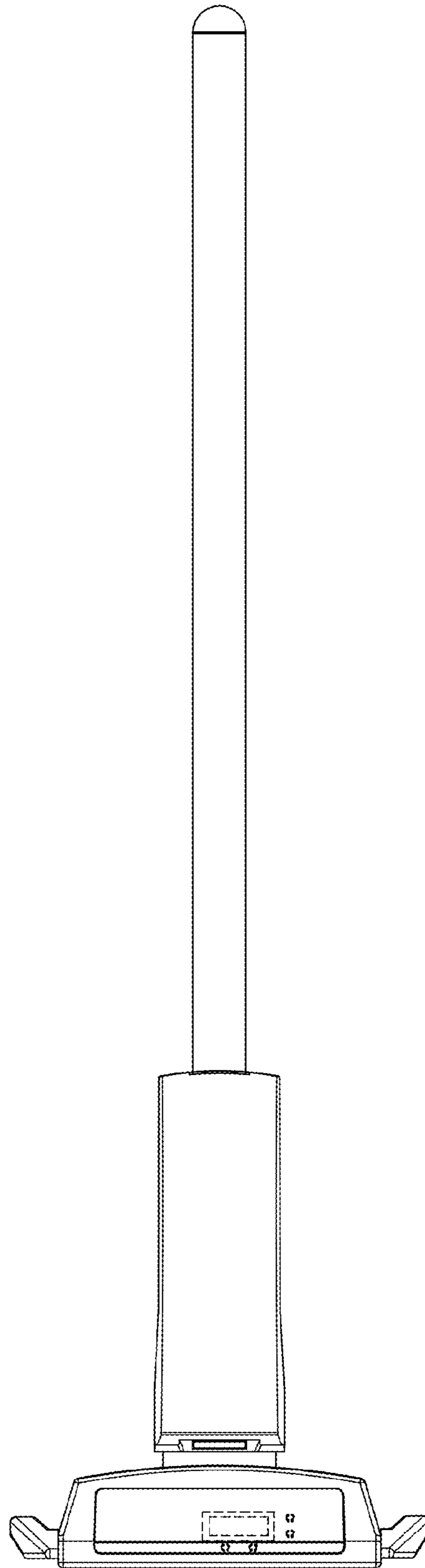


FIG. 5

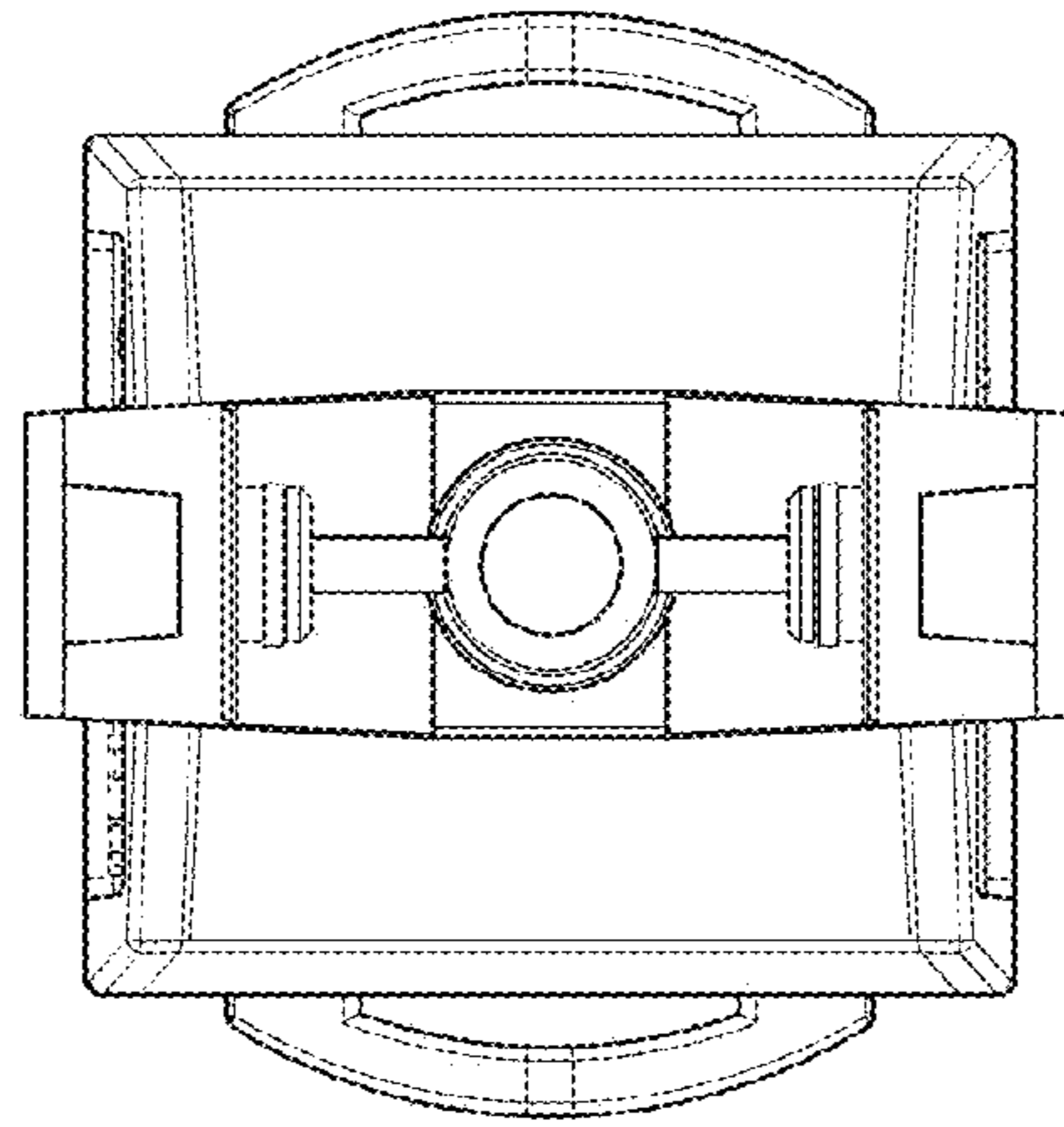


FIG. 6

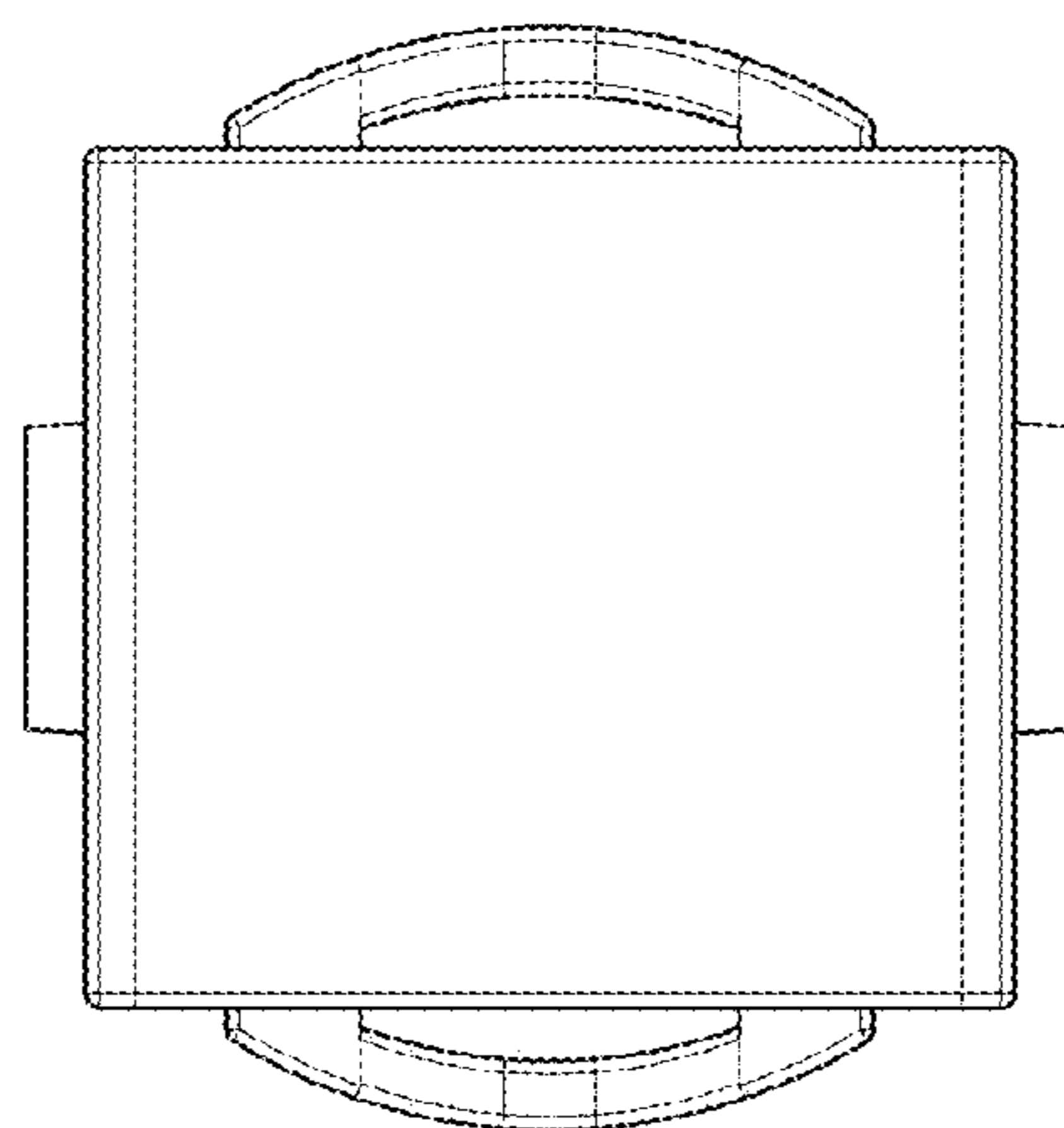


FIG. 7