



US00D743077S

(12) **United States Design Patent**
Eustace

(10) **Patent No.:** **US D743,077 S**

(45) **Date of Patent:** **** Nov. 10, 2015**

(54) **LIGHTING ASSEMBLY**

(71) Applicant: **MOLE-RICHARDSON CO., LTD.**,
Hollywood, CA (US)

(72) Inventor: **Brian Eustace**, Sierra Madre, CA (US)

(73) Assignee: **Mole-Richardson Co., LTD**, Pacoima,
CA (US)

(**) Term: **14 Years**

(21) Appl. No.: **29/449,548**

(22) Filed: **Mar. 15, 2013**

(51) **LOC (10) Cl.** **26-03**

(52) **U.S. Cl.**
USPC **D26/63**

(58) **Field of Classification Search**
USPC D26/1, 24, 61, 63, 65, 85, 92
CPC F21V 21/14; F21V 15/01; F21V 14/02;
F21V 21/30; F21S 8/00; F21S 8/003; F21S
8/043; F21S 21/00; F21S 14/00; F21Y
2105/001

See application file for complete search history.

(56) **References Cited**

U.S. PATENT DOCUMENTS

D286,578 S	*	11/1986	Krokaugger	D26/63
D390,993 S	*	2/1998	Crawford	D26/63
D552,782 S	*	10/2007	Korpi	D26/63
D564,688 S	*	3/2008	Korpi	D26/63

OTHER PUBLICATIONS

1,000 Watt, 6" Baby Solarspot, Type 3081, Product Flyer, Mole-Richardson Co., Hollywood, CA, 2008.

2,000 Watt, 10" Junior Solarspot, Type 4341, Product Flyer, Mole-Richardson Co., Hollywood, CA 2008.

650 Watt, Tweenie II Solarspot, Type 4821, Product Flyer, Mole-Richardson Co., Hollywood, CA 2008.

2,000 Watt, 8" Junior Solarspot, Type 5291, Product Flyer, Mole-Richardson Co., Hollywood, CA 2008.

* cited by examiner

Primary Examiner — Brian N Vinson

(74) *Attorney, Agent, or Firm* — Sheppard, Mullin, Richter & Hampton LLP

(57) **CLAIM**

I claim the ornamental design for a lighting assembly, as shown and described.

DESCRIPTION

FIG. 1 is a perspective view of the lighting assembly showing the new design;

FIG. 2 is a front elevational view thereof;

FIG. 3 is a rear elevational view thereof;

FIG. 4 is a left side elevational view thereof;

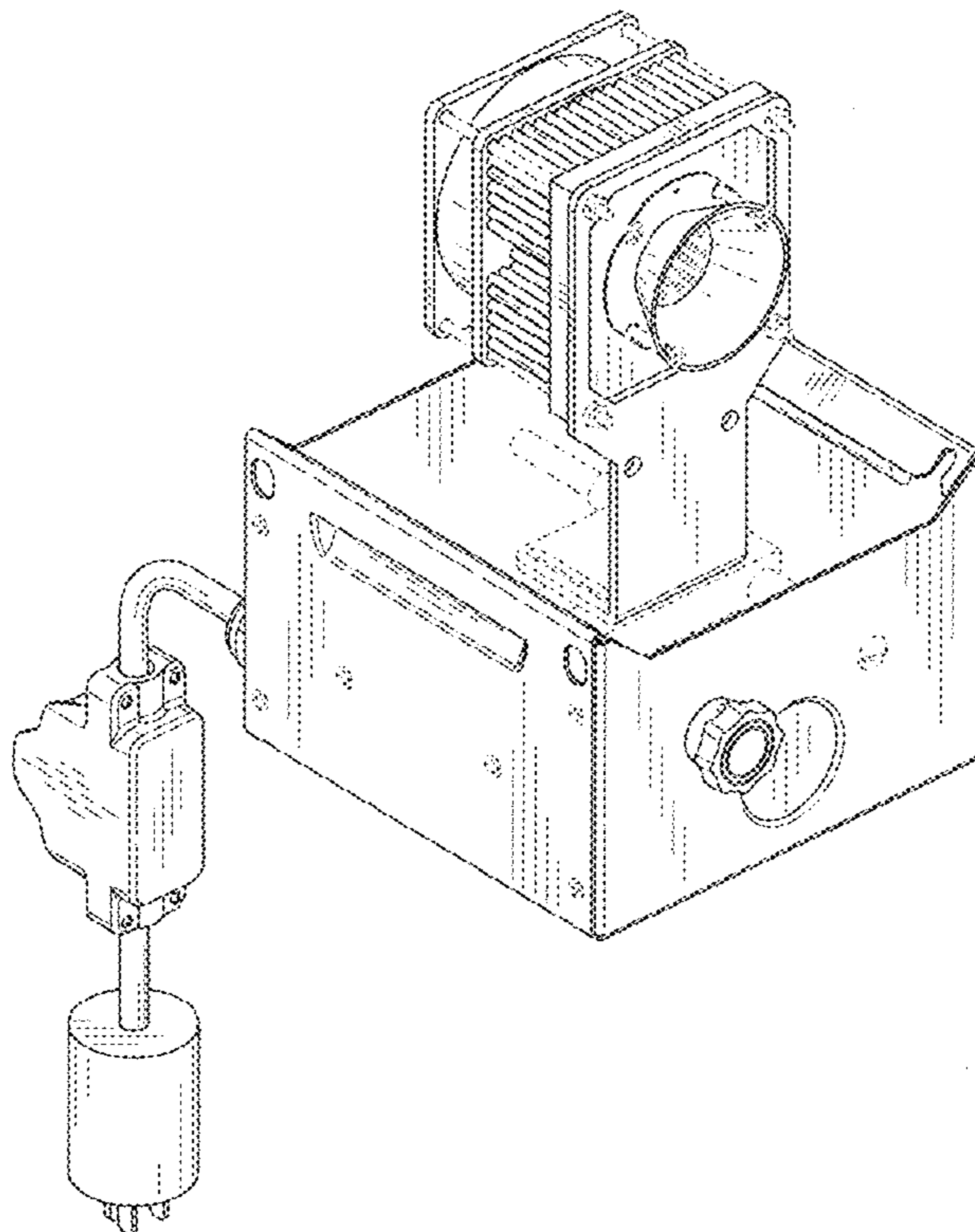
FIG. 5 is a right side elevational view thereof;

FIG. 6 is a top plan view thereof; and,

FIG. 7 is a bottom plan view thereof.

The broken lines shown represent unclaimed subject matter and form no part of the claimed design.

1 Claim, 7 Drawing Sheets



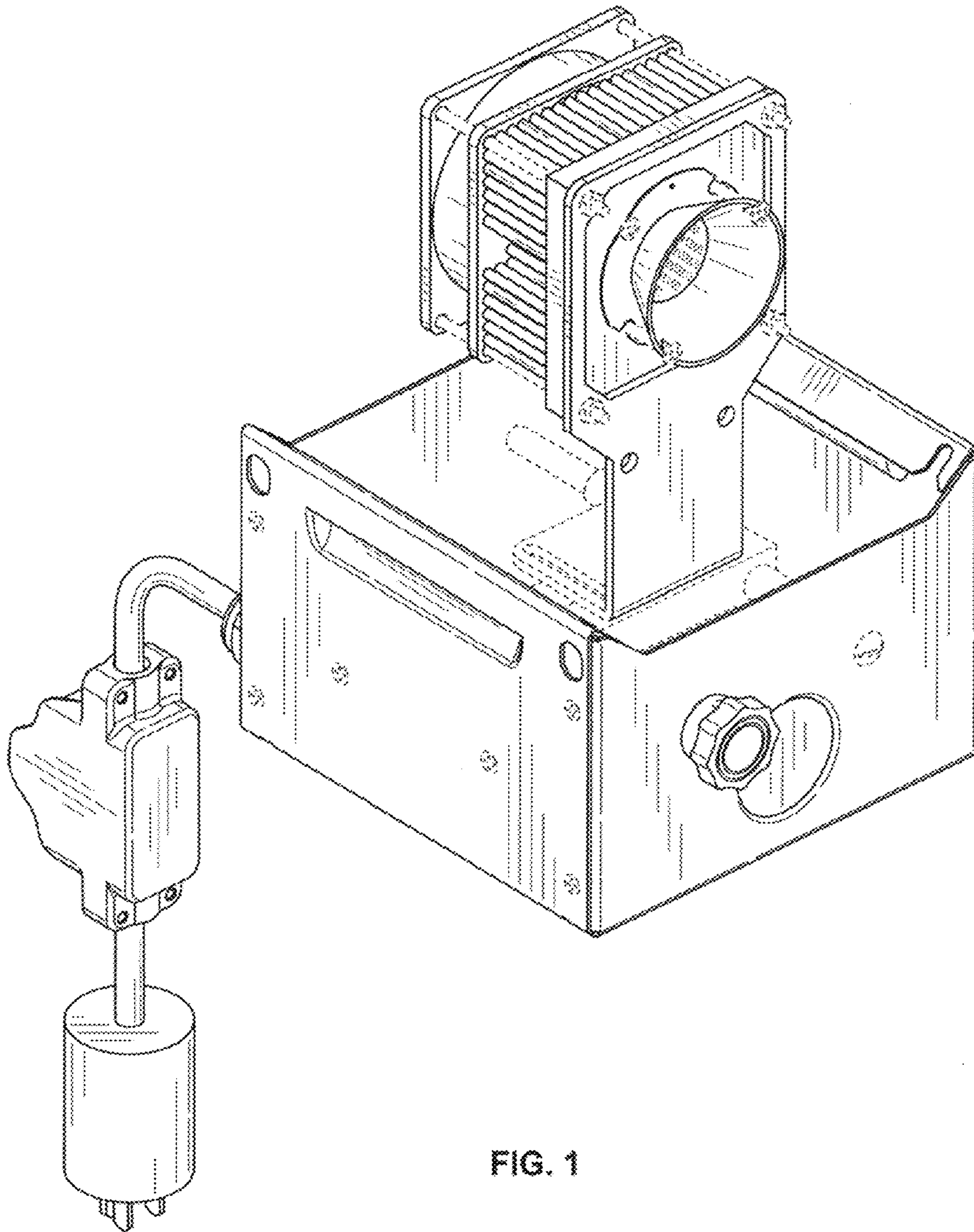


FIG. 1

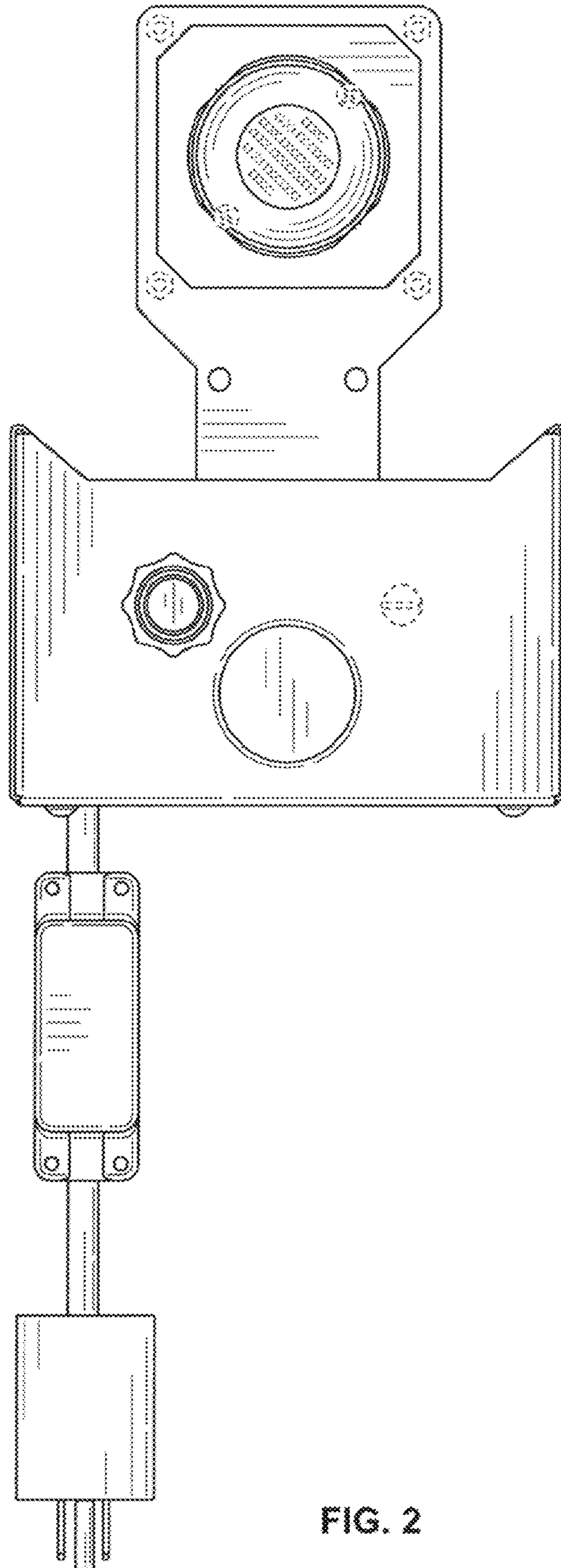


FIG. 2

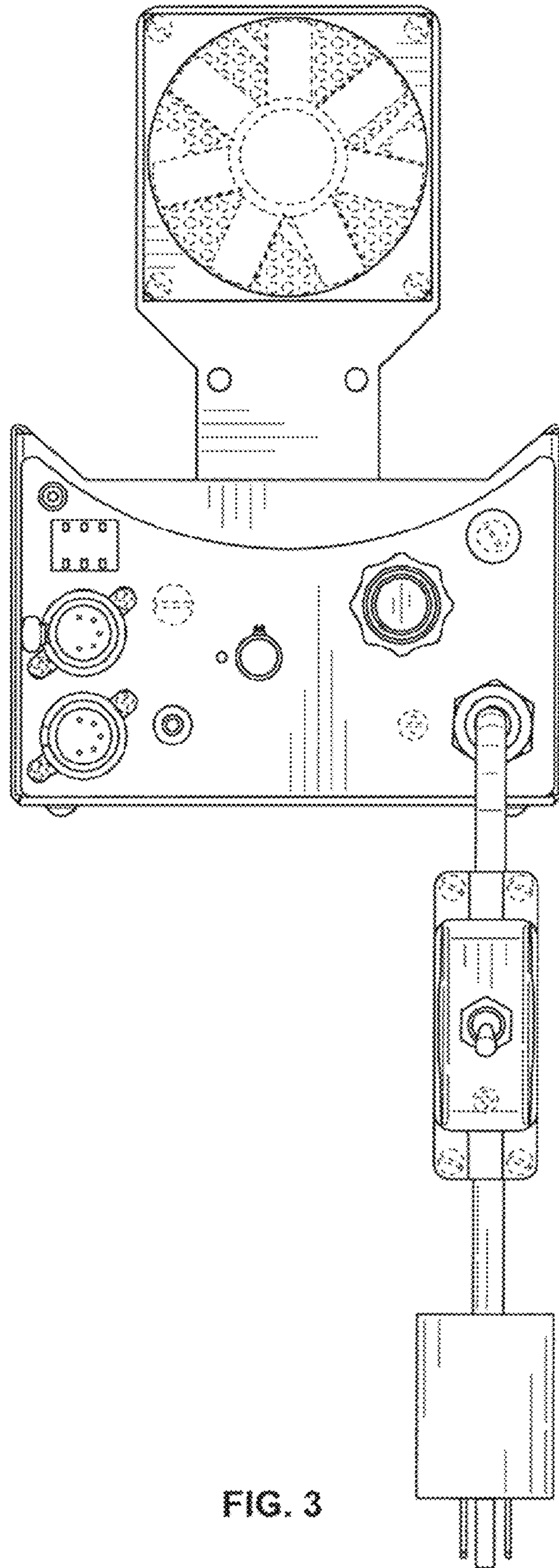


FIG. 3

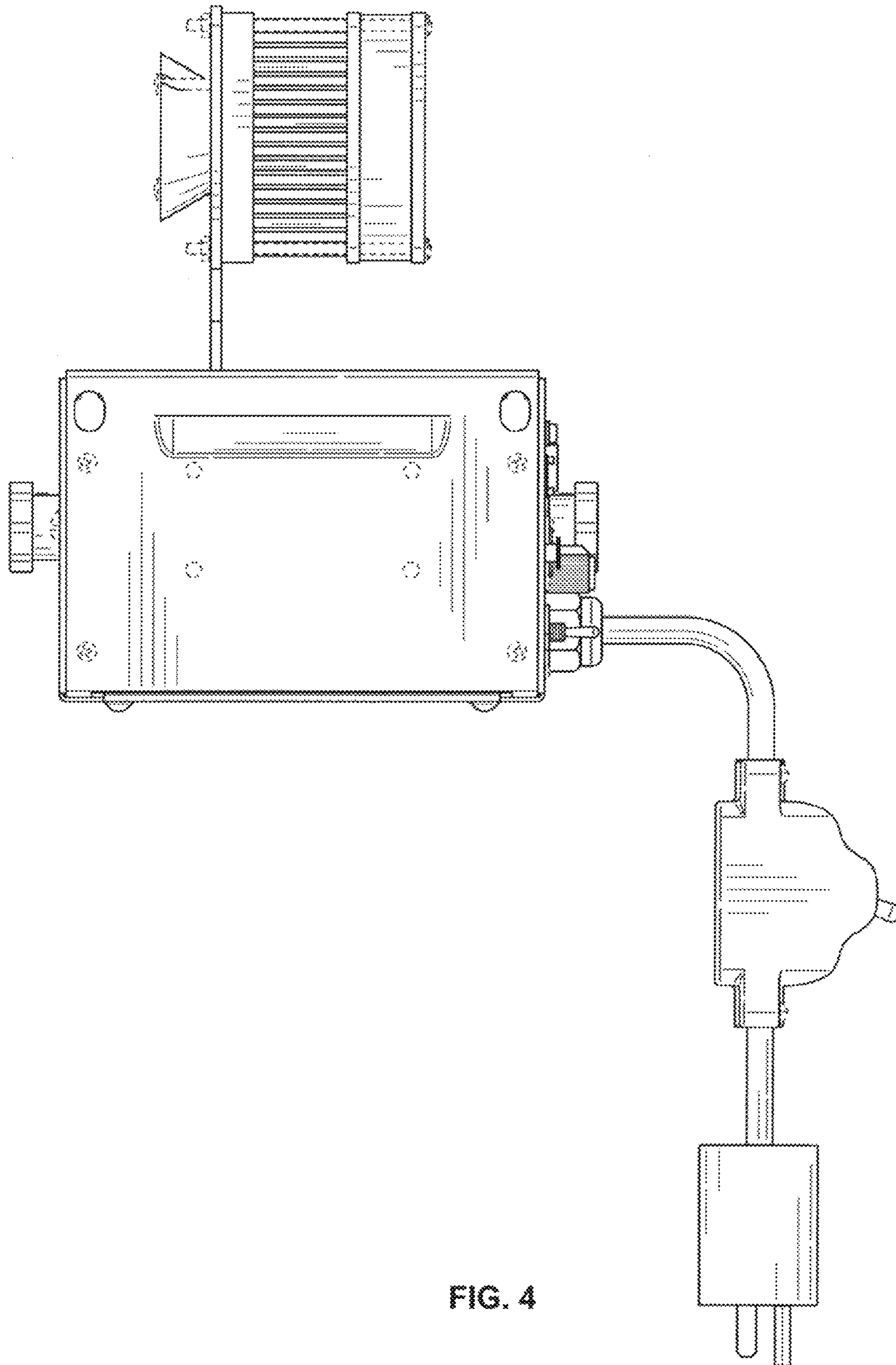


FIG. 4

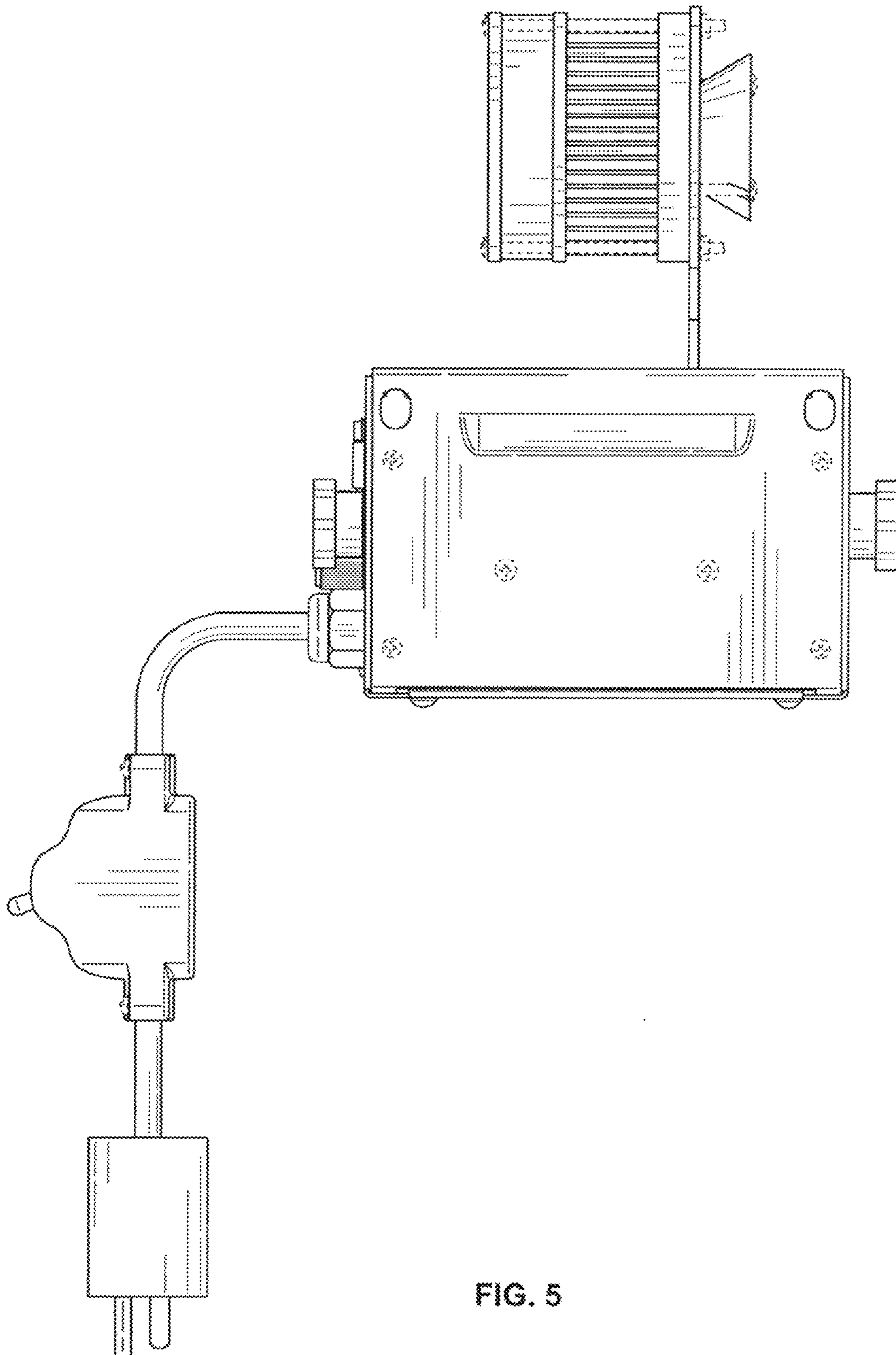


FIG. 5

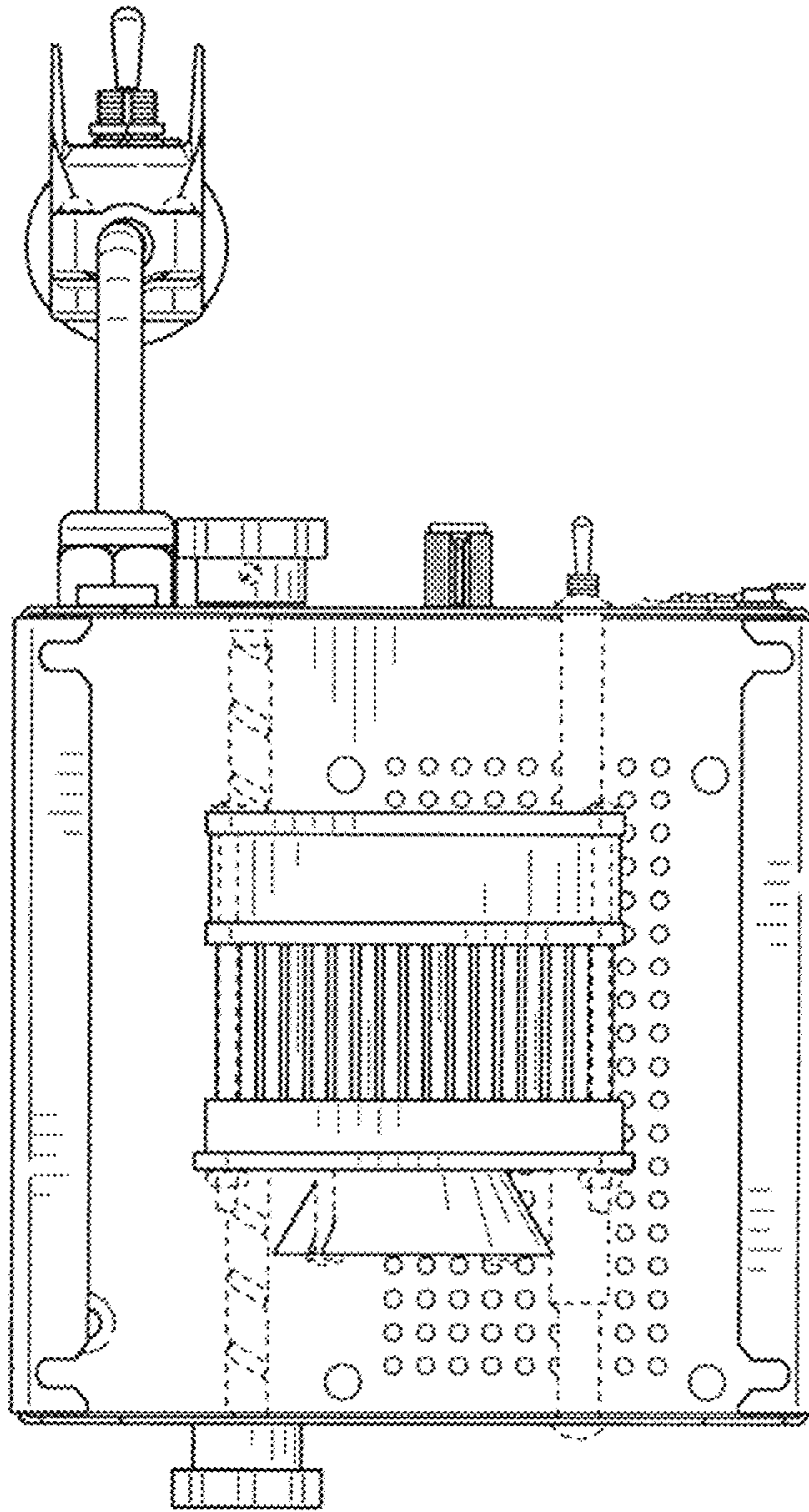


FIG. 6

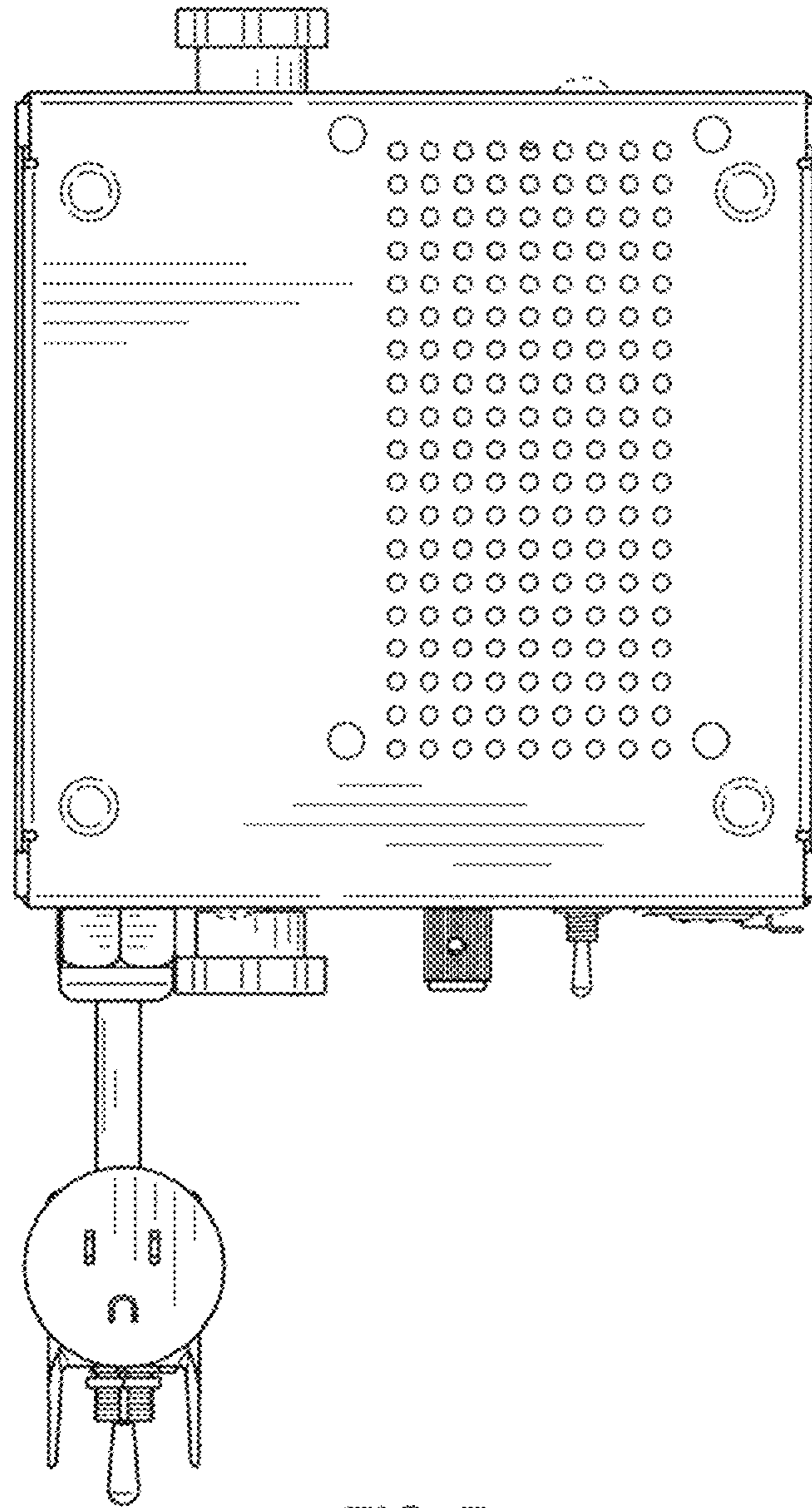


FIG. 7