



US00D743076S

(12) **United States Design Patent**
Robinson et al.

(10) **Patent No.:** **US D743,076 S**

(45) **Date of Patent:** **** Nov. 10, 2015**

(54) **FLASHLIGHT**

(71) Applicants: **Glenn Robinson**, Parkland, FL (US);
Francisco Molina, Margate, FL (US)

(72) Inventors: **Glenn Robinson**, Parkland, FL (US);
Francisco Molina, Margate, FL (US)

(**) Term: **14 Years**

(21) Appl. No.: **29/474,104**

(22) Filed: **Jun. 2, 2014**

(51) **LOC (10) Cl.** **26-02**

(52) **U.S. Cl.**
USPC **D26/49**

(58) **Field of Classification Search**
USPC D26/37, 46, 49, 38; 362/157, 158, 183,
362/184, 194-196, 202-208
CPC F21V 33/00; F21V 14/025; F21V 21/406;
F21Y 2101/02; F21L 2003/00; F21L 2005/00;
F21L 2/00; F21L 4/00; F21L 4/005; F21L
17/00; F21L 13/08

See application file for complete search history.

(56) **References Cited**

U.S. PATENT DOCUMENTS

D529,210 S	*	9/2006	Mundhra	D26/37
D529,643 S	*	10/2006	Kung	D26/37
D532,914 S	*	11/2006	Yen	D26/37
D536,117 S	*	1/2007	Krieger et al.	D26/49
D544,621 S	*	6/2007	Kim	D26/37

D554,281 S	*	10/2007	Bushee et al.	D26/37
D567,976 S	*	4/2008	Shiu	D26/37
D607,591 S	*	1/2010	Rivera et al.	D26/49
D641,093 S	*	7/2011	Kidman	D26/49
D644,775 S	*	9/2011	Nguyen et al.	D26/49
D645,181 S	*	9/2011	Garcia et al.	D26/49
D659,272 S	*	5/2012	Nguyen et al.	D26/49
D709,231 S	*	7/2014	Nguyen	D26/49
D710,526 S	*	8/2014	Lee	D26/49
D716,984 S	*	11/2014	Inskeep	D26/49

* cited by examiner

Primary Examiner — Ian Simmons

Assistant Examiner — Carissa C Fitts

(74) *Attorney, Agent, or Firm* — Dan DeLa Rosa

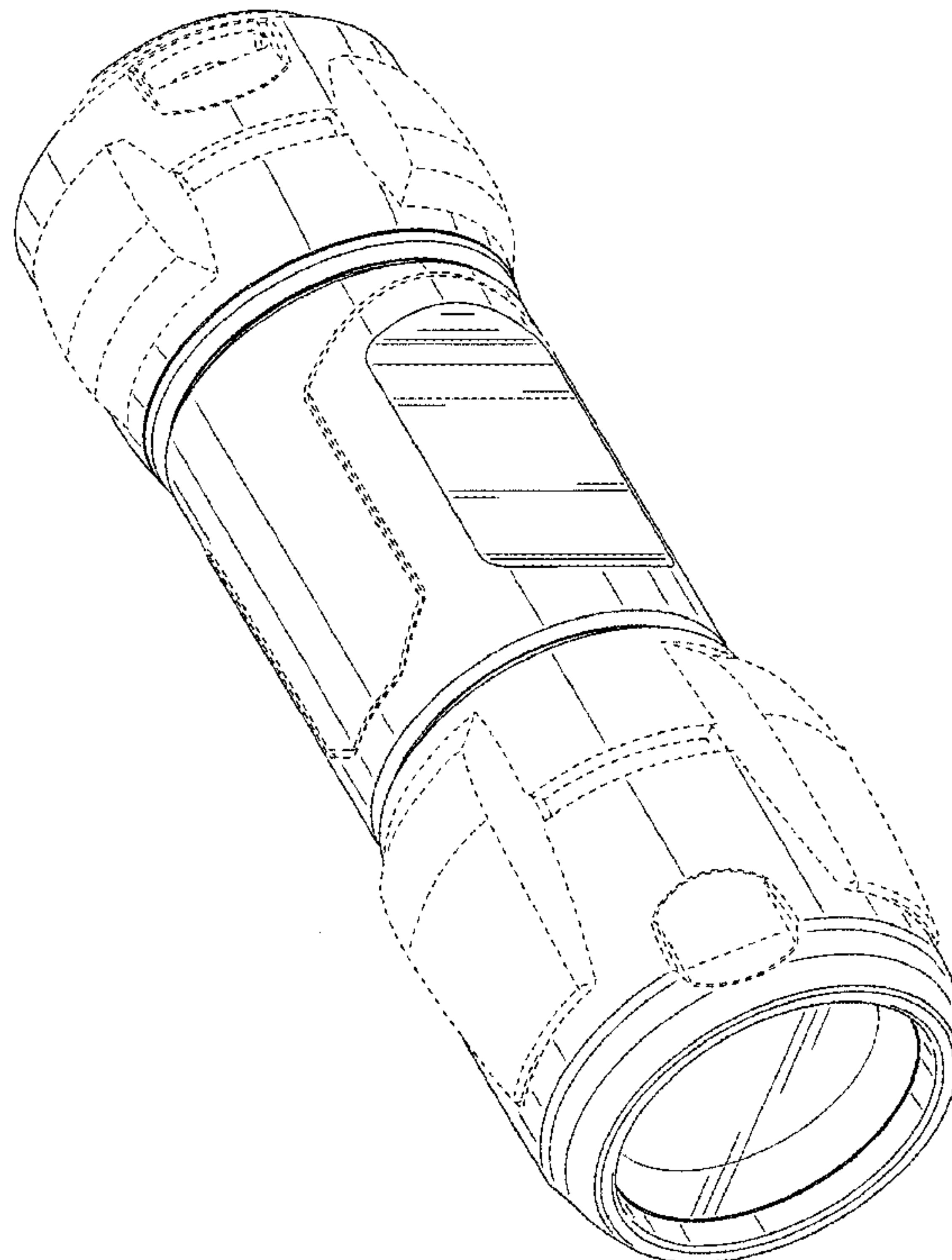
(57) **CLAIM**

The ornamental design for a flashlight, as shown and described.

DESCRIPTION

FIG. 1 is a front perspective view of the flashlight of the present invention showing my new design; FIG. 2 is a front side elevational view thereof; FIG. 3 is a back side elevational view thereof; FIG. 4 is a side elevational view thereof; FIG. 5 is another side elevational view thereof; FIG. 6 is a top plan view thereof; and, FIG. 7 is a bottom plan view thereof. The broken lines in the flashlight drawings illustrate unclaimed environment and form no part of the claim.

1 Claim, 6 Drawing Sheets



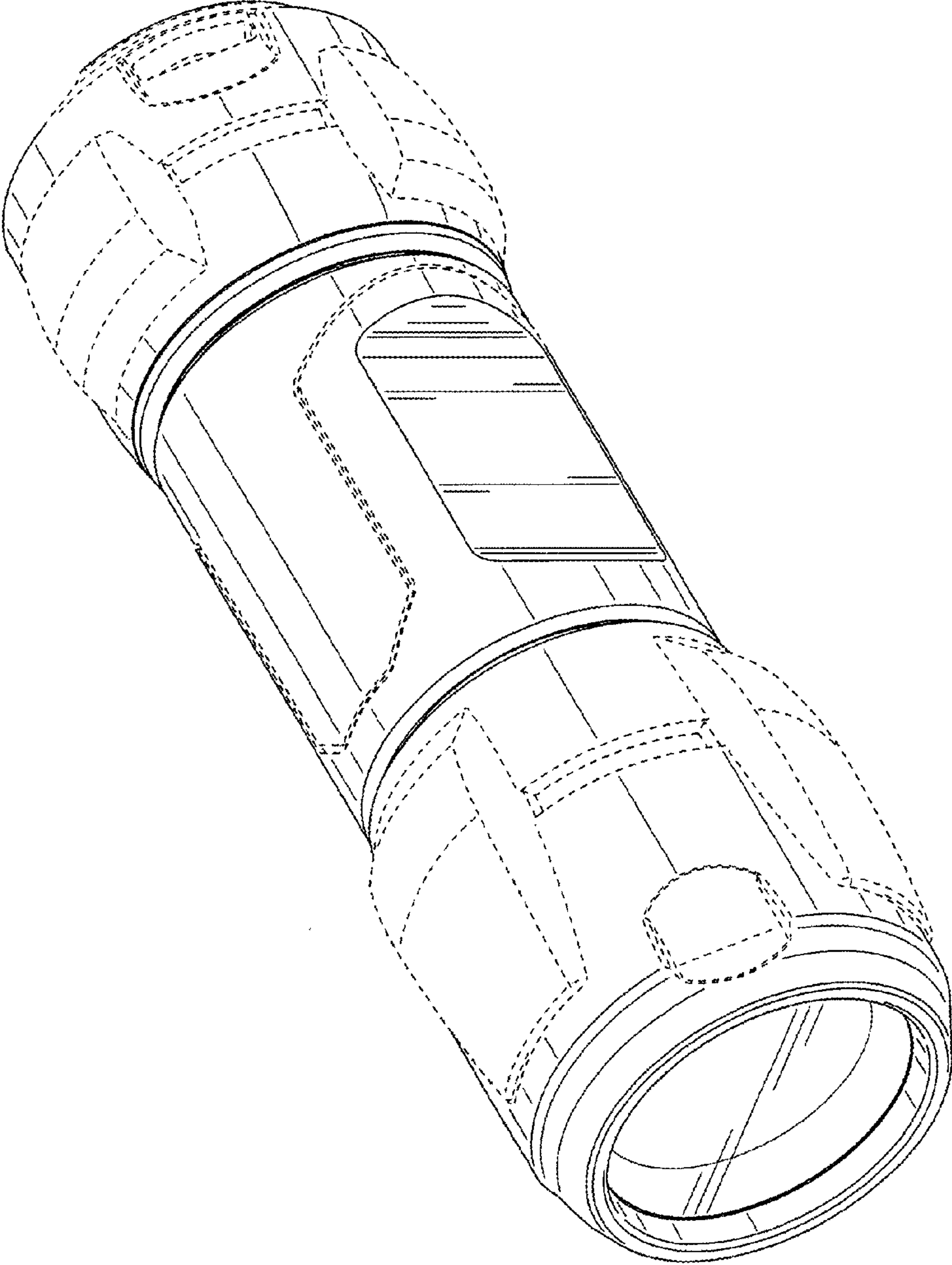


FIG. 1

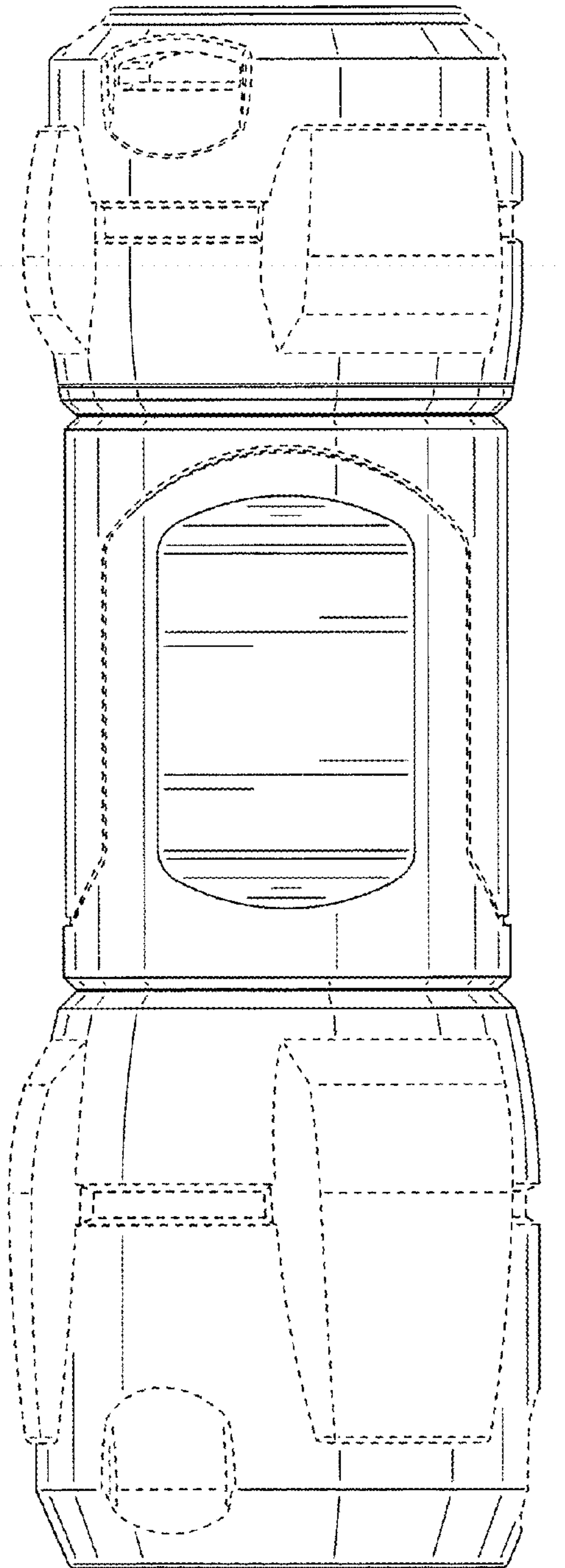


FIG. 2

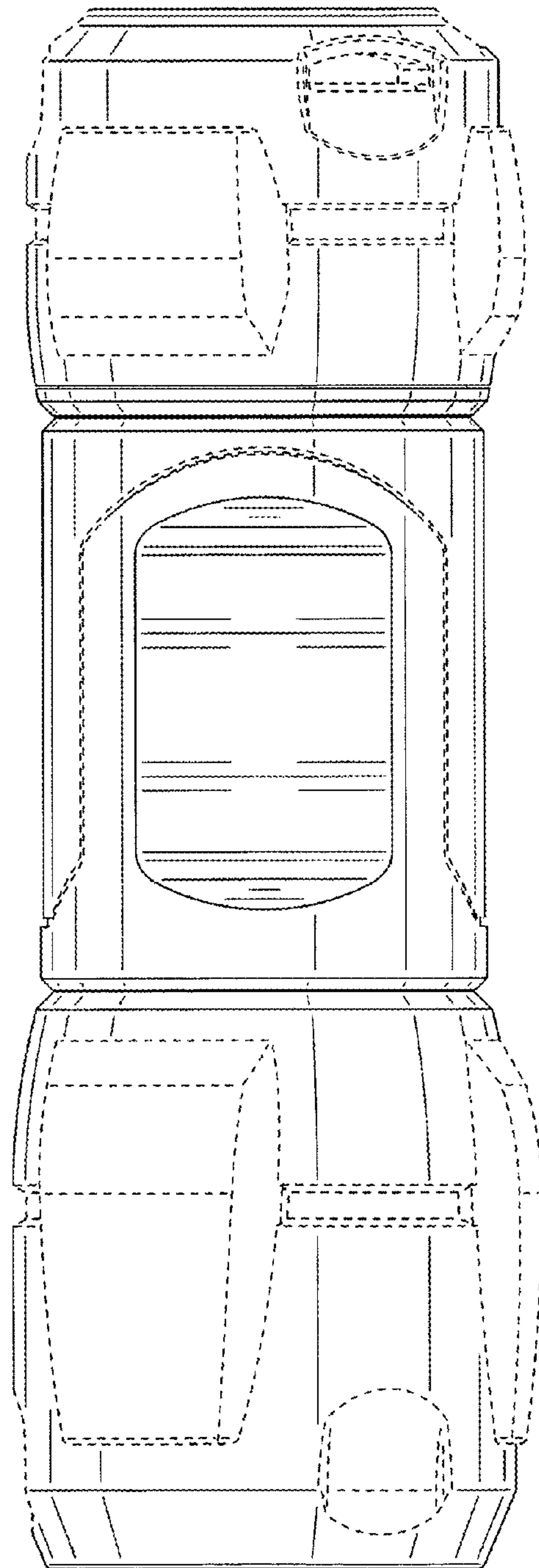


FIG. 3

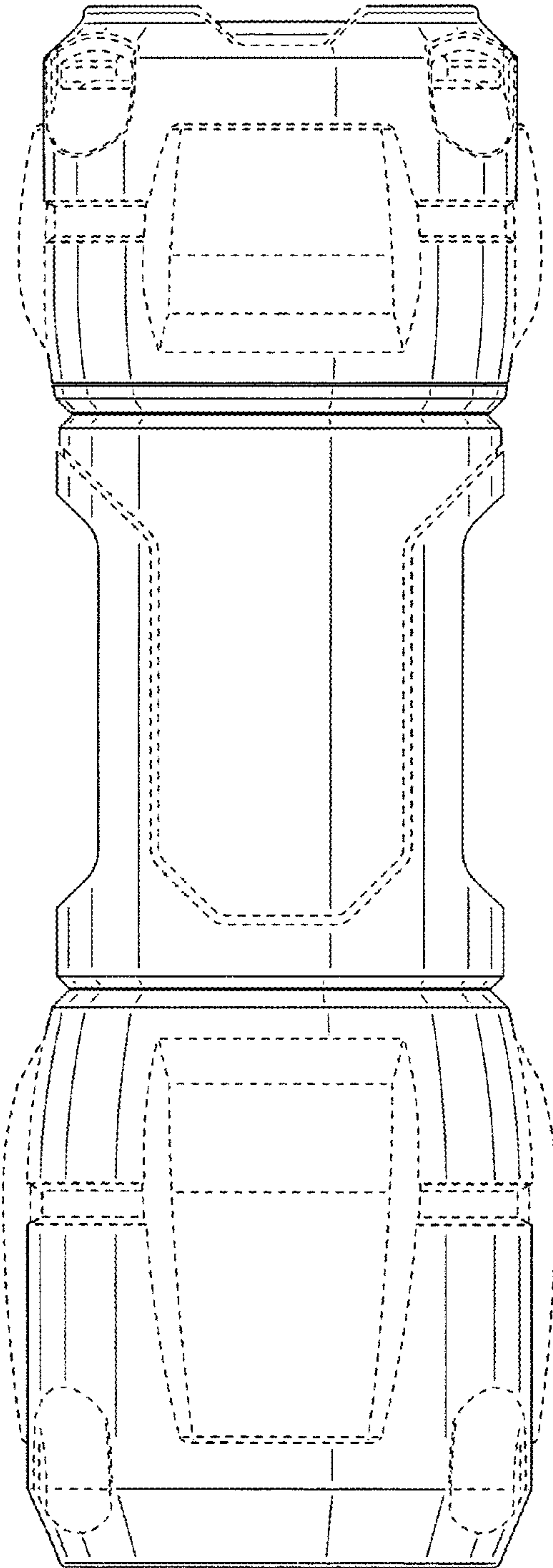


FIG. 4

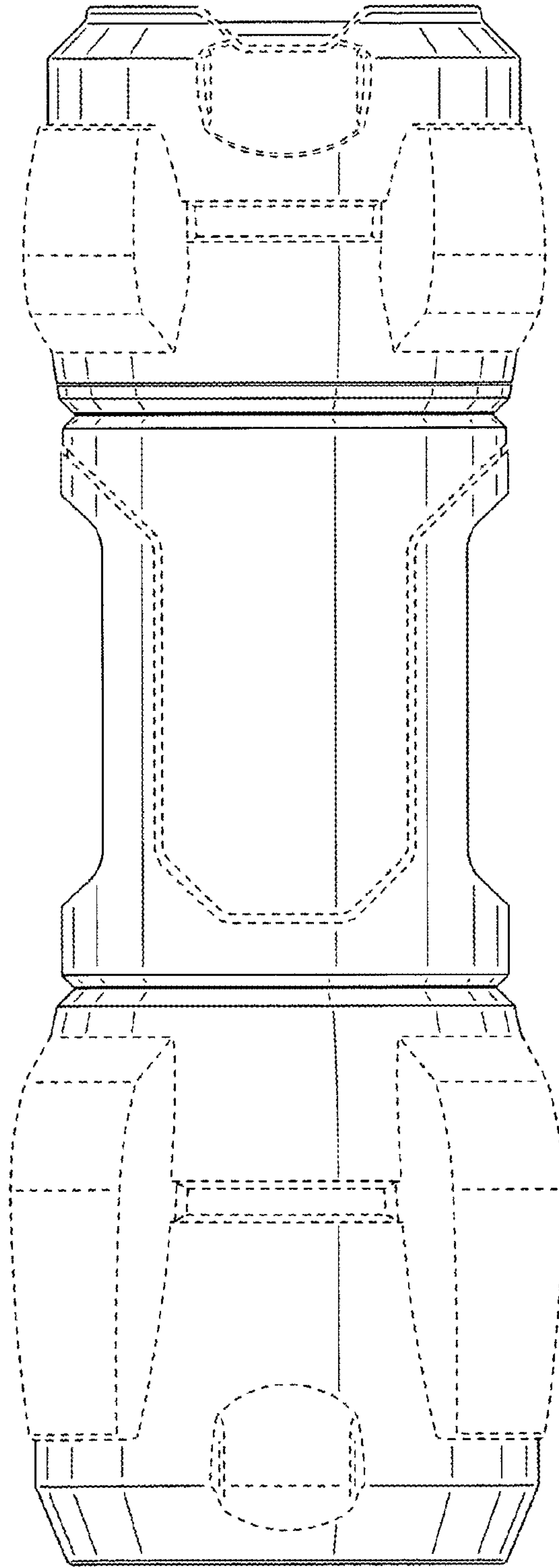


FIG. 5

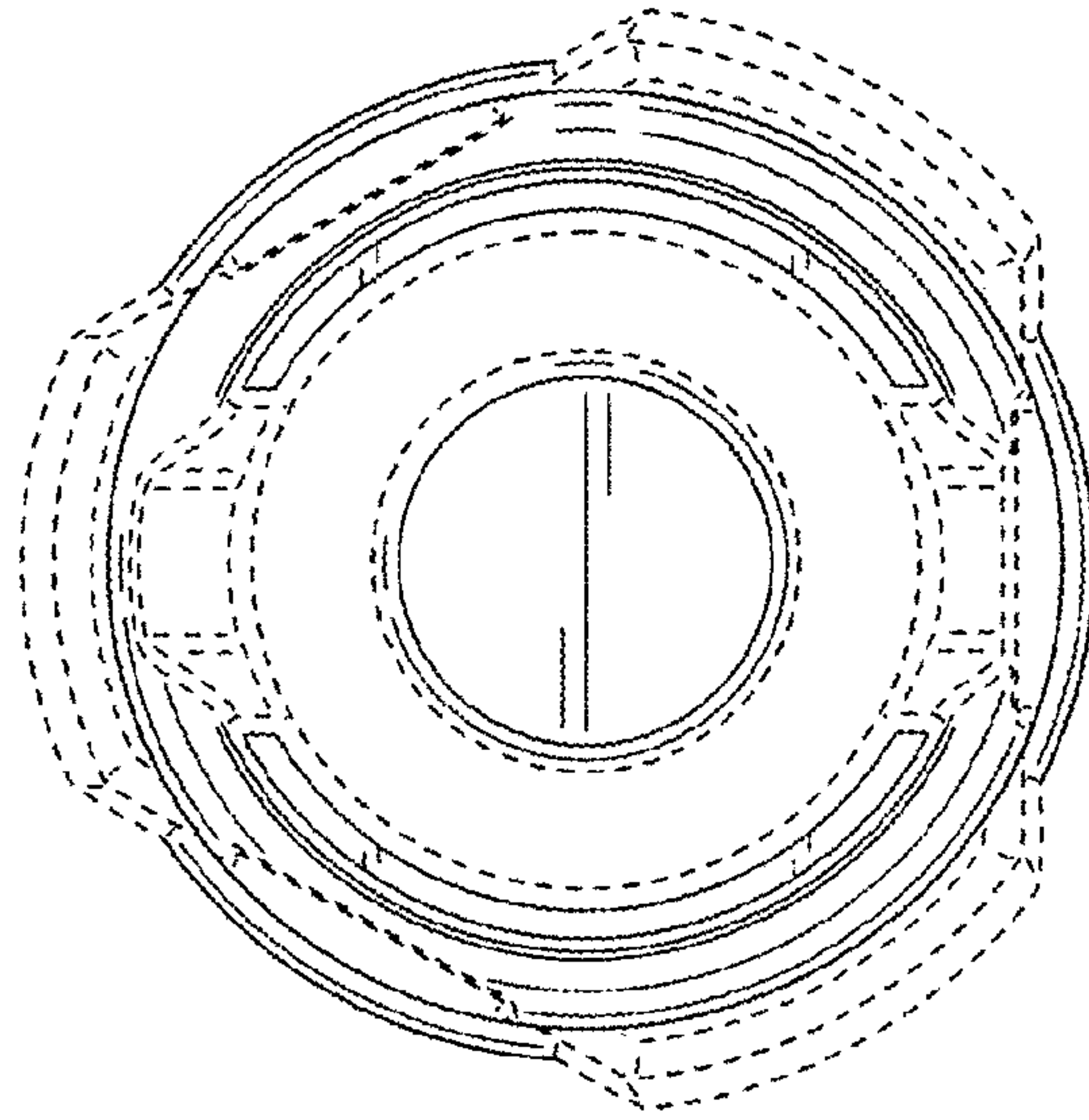


FIG. 6

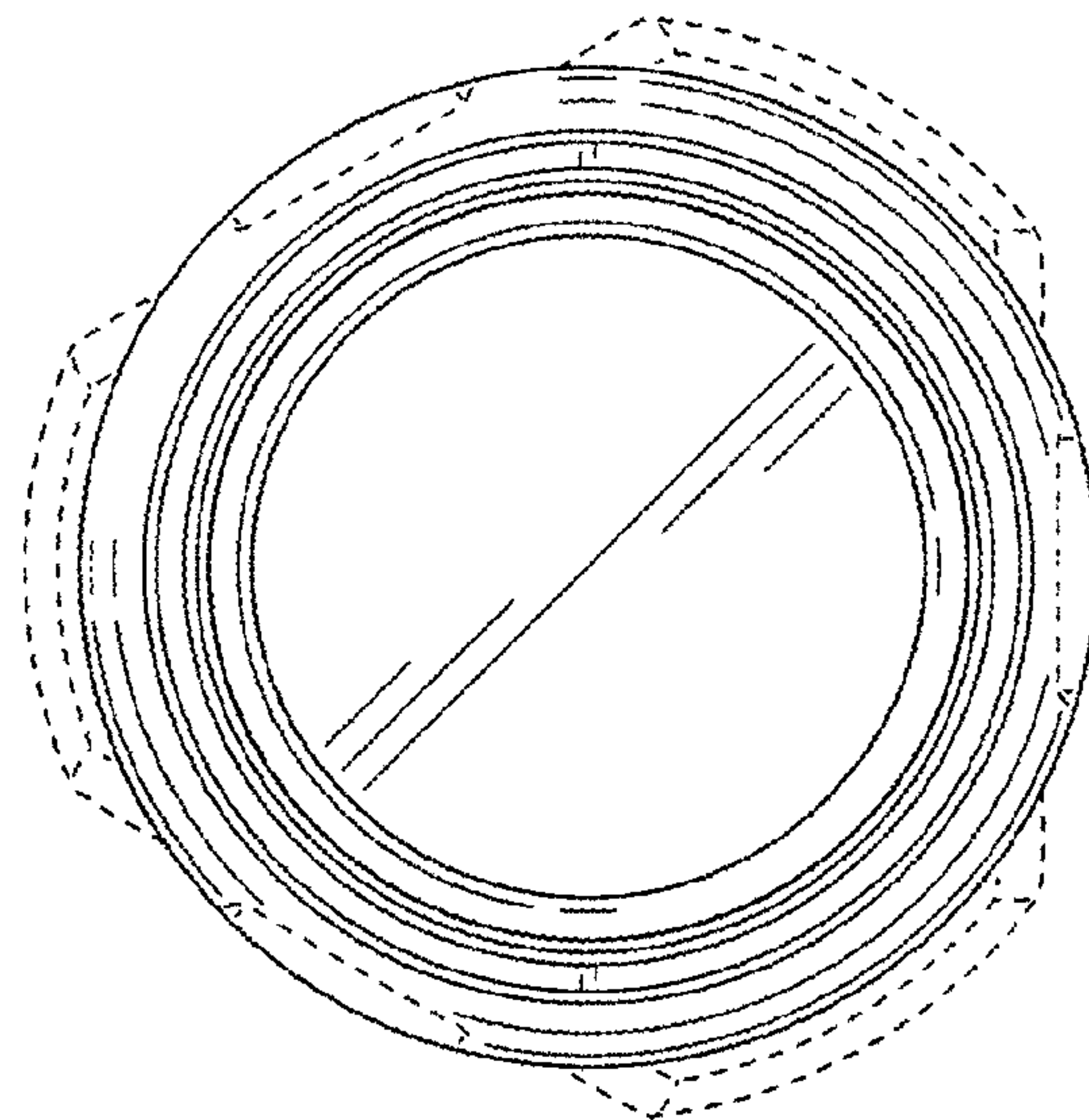


FIG. 7