



US00D743075S

(12) **United States Design Patent**
Keaton

(10) **Patent No.:** **US D743,075 S**

(45) **Date of Patent:** **** Nov. 10, 2015**

(54) **BARREL BORE LIGHT**

(71) Applicant: **Don Keaton**, Lebanon, TN (US)

(72) Inventor: **Don Keaton**, Lebanon, TN (US)

(**) Term: **14 Years**

(21) Appl. No.: **29/464,139**

(22) Filed: **Aug. 13, 2013**

(51) **LOC (10) Cl.** **26-02**

(52) **U.S. Cl.**
USPC **D26/49; D22/108**

(58) **Field of Classification Search**
USPC D26/37, 46, 49, 38, 51, 42; 362/157,
362/158, 183, 184, 194-196, 202-208,
362/253; D22/101, 108
CPC F21V 33/00; F21V 14/025; F21V 21/406;
F21Y 2101/02; F21L 17/00; F21L 13/08;
F41G 11/001
See application file for complete search history.

D521,164	S *	5/2006	Sharrah	D26/37
7,234,263	B2	6/2007	Thiakos		
D603,541	S *	11/2009	Shiu	D26/49
D612,086	S *	3/2010	Brauer et al.	D26/49
D622,428	S *	8/2010	Crawford et al.	D26/37
D636,512	S *	4/2011	Heath et al.	D26/49
7,954,978	B2 *	6/2011	Sharrah et al.	362/202
D649,275	S *	11/2011	Crawford et al.	D26/49
D659,219	S *	5/2012	Coulter et al.	D22/108
D675,764	S *	2/2013	Boutet et al.	D26/49
D676,170	S *	2/2013	Feng et al.	D26/38
D700,383	S *	2/2014	Seidl et al.	D26/43
D715,983	S *	10/2014	Jeong et al.	D26/46
D716,982	S *	11/2014	Corey	D26/49
2006/0181870	A1 *	8/2006	Sharrah et al.	362/157

* cited by examiner

Primary Examiner — Ian Simmons
Assistant Examiner — Carissa C Fitts
(74) *Attorney, Agent, or Firm* — Baker Botts L.L.P.

(57) **CLAIM**
The ornamental design for a barrel bore light, as shown and described.

(56) **References Cited**

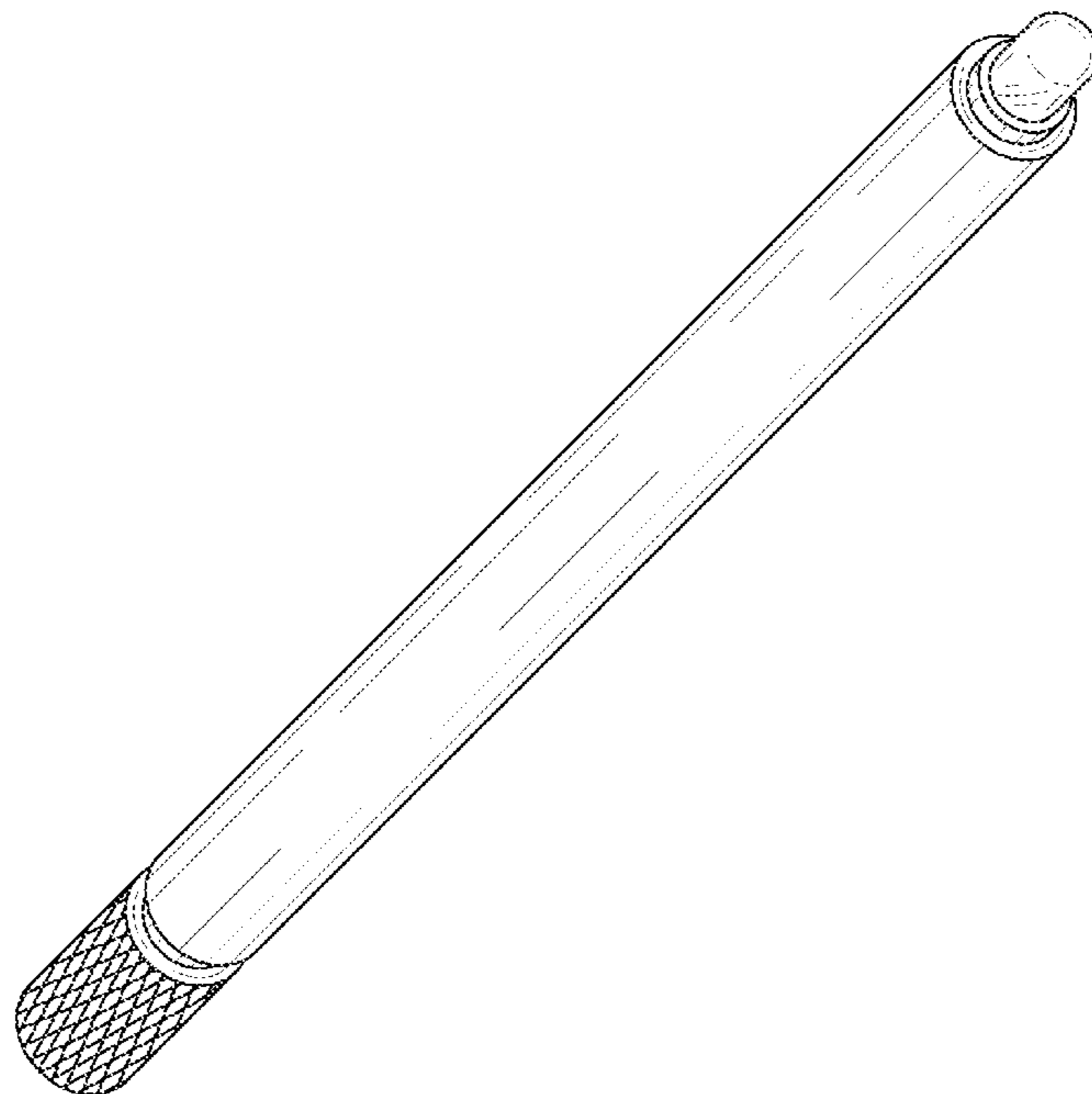
U.S. PATENT DOCUMENTS

4,339,200	A *	7/1982	Corbin	356/241.2
5,551,182	A	9/1996	Dahlitz et al.		
D419,254	S *	1/2000	Chiu	D26/49
D419,704	S *	1/2000	Ting	D26/37
D429,534	S *	8/2000	Sengsouvanh et al.	D26/38
D429,830	S *	8/2000	Ting	D26/37
D430,321	S *	8/2000	Sharrah	D26/37
D452,024	S *	12/2001	Sharrah	D26/49
6,497,064	B1	12/2002	Keaton		
D479,888	S *	9/2003	Sharrah et al.	D26/37
6,874,908	B2 *	4/2005	Sharrah et al.	362/187
6,886,960	B2 *	5/2005	Sharrah et al.	362/206

DESCRIPTION

FIG. 1 shows a first isometric view of an barrel bore light; FIG. 2 shows a second isometric view of the barrel bore light shown in FIG. 1; FIG. 3 shows the sideview of the barrel bore light shown in FIG. 1; FIG. 4 shows the top view of the barrel bore light shown in FIG. 1; and, FIG. 5 shows the bottom view of the barrel bore light shown in FIG. 1.

1 Claim, 2 Drawing Sheets



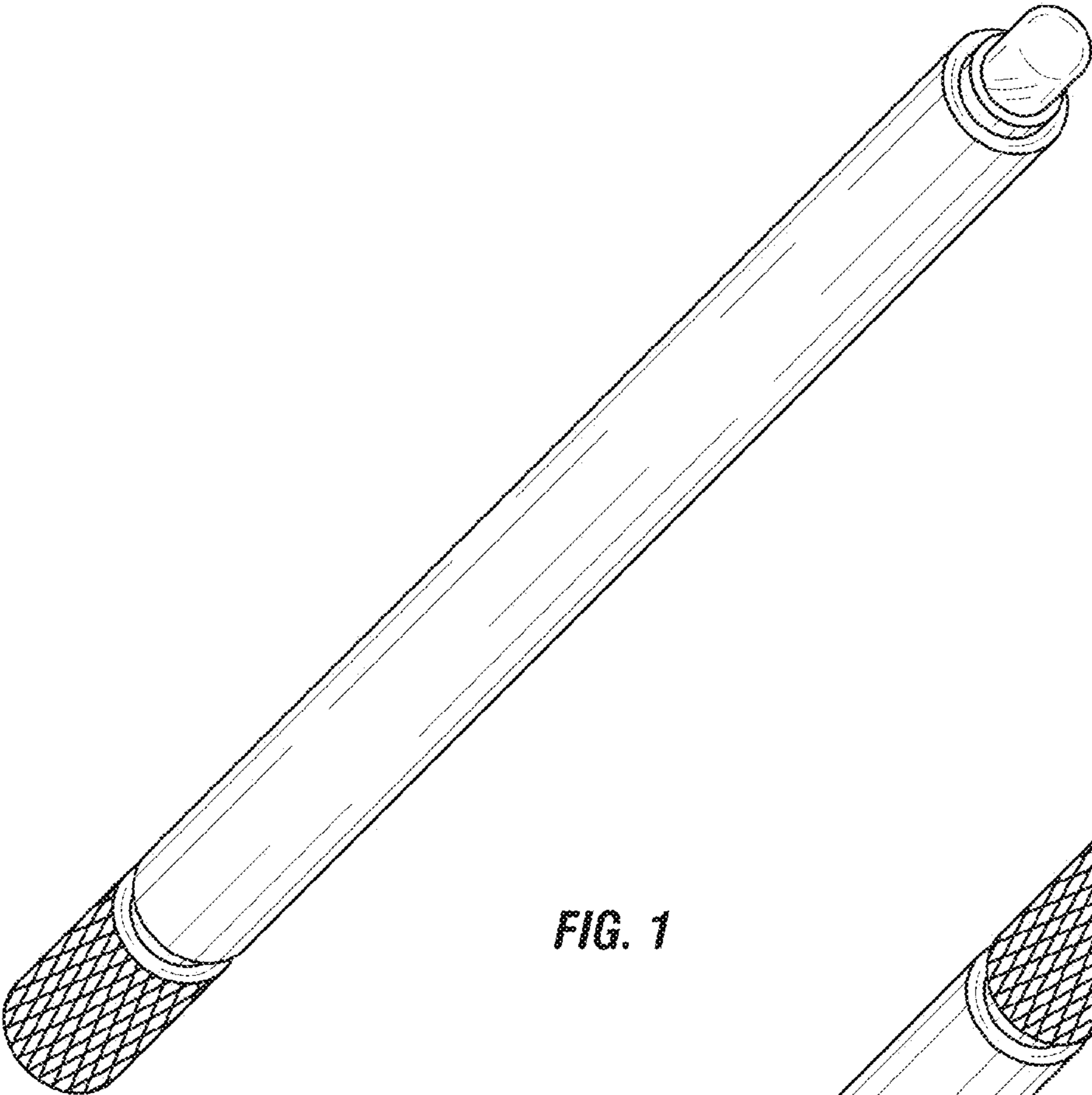


FIG. 1

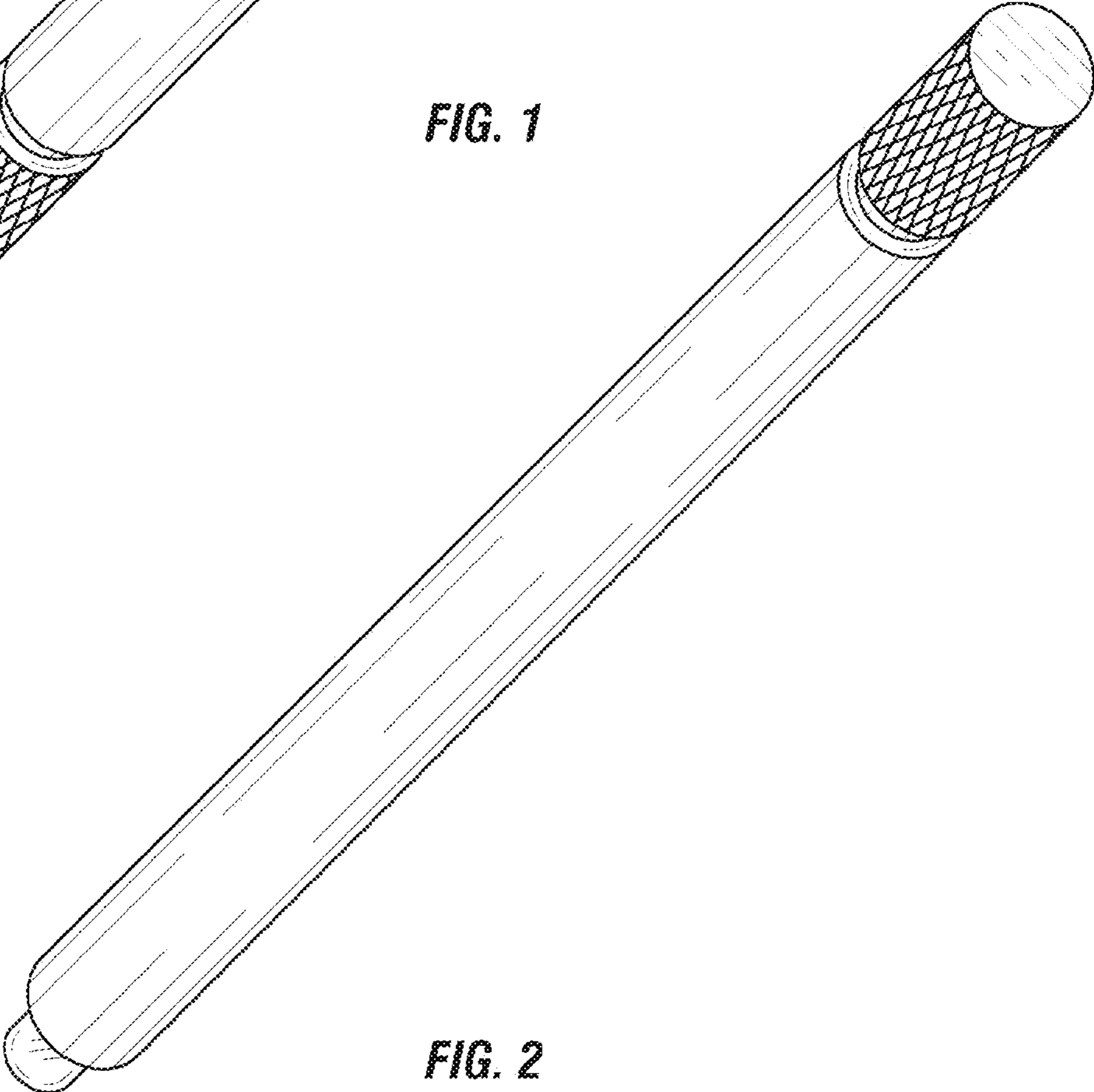


FIG. 2

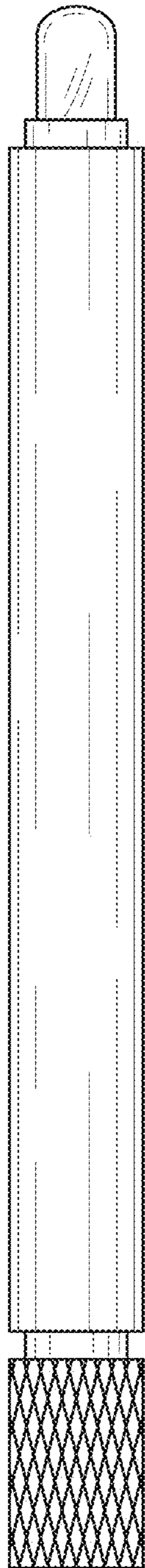


FIG. 3

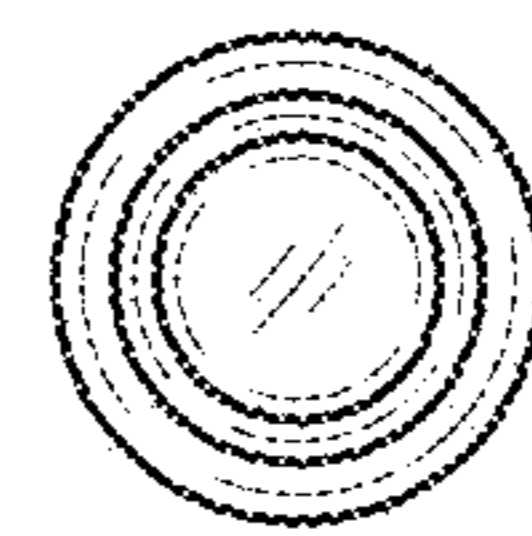


FIG. 4

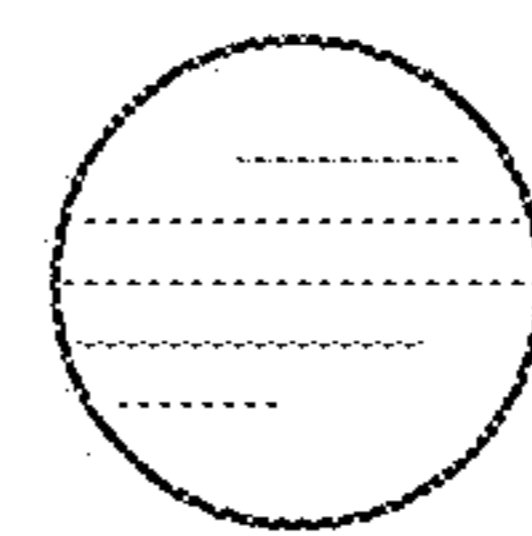


FIG. 5