



US00D743074S

(12) **United States Design Patent**  
**Hwang**

(10) **Patent No.:** **US D743,074 S**

(45) **Date of Patent:** **\*\* Nov. 10, 2015**

- (54) **GLOW STICK WITH WHISTLE**
- (71) Applicant: **Chin-Yu Hwang**, Changhua (TW)
- (72) Inventor: **Chin-Yu Hwang**, Changhua (TW)
- (\*\*) Term: **14 Years**
- (21) Appl. No.: **29/434,343**
- (22) Filed: **Oct. 11, 2012**
- (51) **LOC (10) Cl.** ..... **26-02**
- (52) **U.S. Cl.**  
USPC ..... **D26/38**
- (58) **Field of Classification Search**  
USPC ..... D26/37, 38, 40, 41, 42, 44, 46, 51;  
362/157, 158, 183, 184, 194-196,  
362/200-208, 253; D10/109.2, 114.1,  
D10/114.9, 119.3; D19/130, 196  
CPC ..... F21V 33/00; F21V 14/025; F21V 21/406;  
F21Y 2101/02; F21L 2003/00; F21L 2005/00;  
F21L 2/00; F21L 4/00; F21L 4/005; F21L  
17/00; F21L 13/08; A63H 5/00; G08B 3/02  
See application file for complete search history.

- D676,170 S \* 2/2013 Feng et al. .... D26/38
- D699,379 S \* 2/2014 Wu ..... D26/38
- D710,445 S \* 8/2014 Wu ..... D19/130
- D724,246 S \* 3/2015 Hong ..... D26/37
- D729,963 S \* 5/2015 Windom ..... D26/49
- 2010/0085738 A1\* 4/2010 Bertken ..... 362/157

**OTHER PUBLICATIONS**

LED Glow Safety Light Stick with Whistle and Flashlight, [online], Aug. 17, 2012, [site visited May 30, 2015]. Available from Internet, <URL:http://product\_updates.fishingpanda.com/2012/08/led-glow-safety-light-stick-with.html#links>, 4 pages.\*

\* cited by examiner

*Primary Examiner* — Ian Simmons

*Assistant Examiner* — Carissa C Fitts

(74) *Attorney, Agent, or Firm* — Leong C. Lei

(57) **CLAIM**

The ornamental design for a glow stick with whistle, as shown and described.

**DESCRIPTION**

FIG. 1 is a front perspective view of a glow stick with whistle showing my new design;

FIG. 2 is a front elevational view thereof;

FIG. 3 is a rear elevational view thereof;

FIG. 4 is a left elevational view thereof;

FIG. 5 is a right elevational view thereof;

FIG. 6 is a top plan view thereof; and,

FIG. 7 is a bottom plan view thereof.

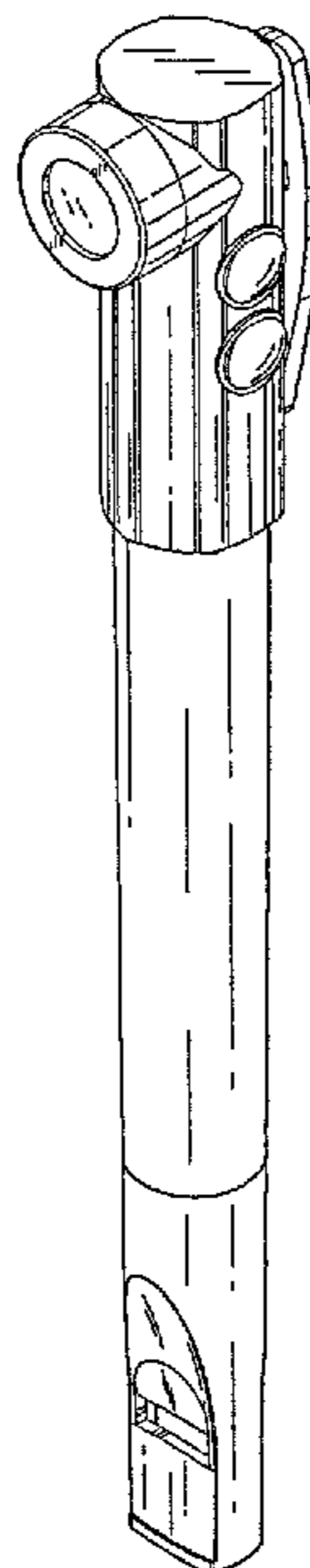
The broken lines shown represent unclaimed portions of the article and form no part of the claimed design.

**1 Claim, 7 Drawing Sheets**

(56) **References Cited**

**U.S. PATENT DOCUMENTS**

- D128,476 S \* 7/1941 Berlin ..... D10/119.2
- D205,981 S \* 10/1966 Pat-Sang ..... D24/214
- D354,689 S \* 1/1995 Figard ..... D19/123
- D385,819 S \* 11/1997 Chen ..... D10/119.3
- D500,875 S \* 1/2005 Parker et al. .... D26/42
- D598,150 S \* 8/2009 Bertken ..... D26/38
- D622,428 S \* 8/2010 Crawford et al. .... D26/37
- D626,671 S \* 11/2010 Bertken ..... D26/37
- D651,334 S \* 12/2011 Yuen ..... D26/50



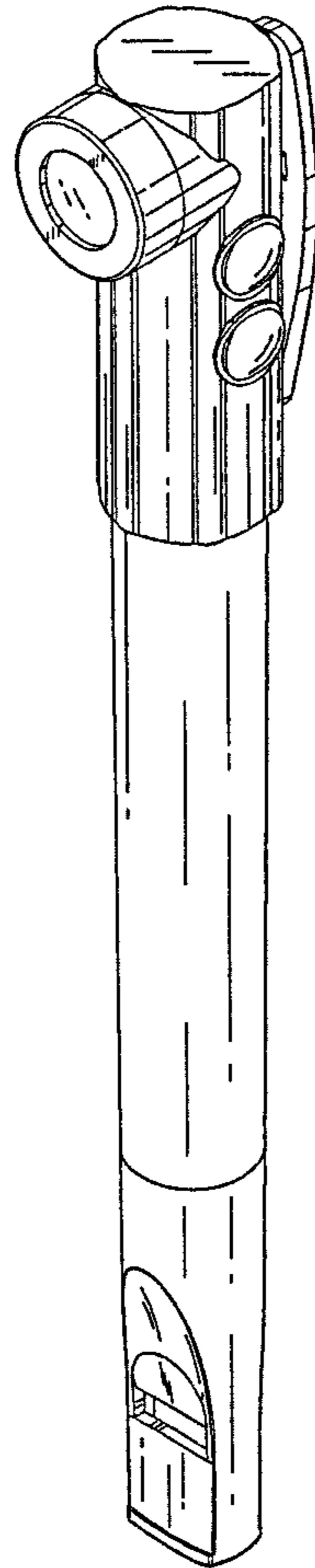


FIG. 1

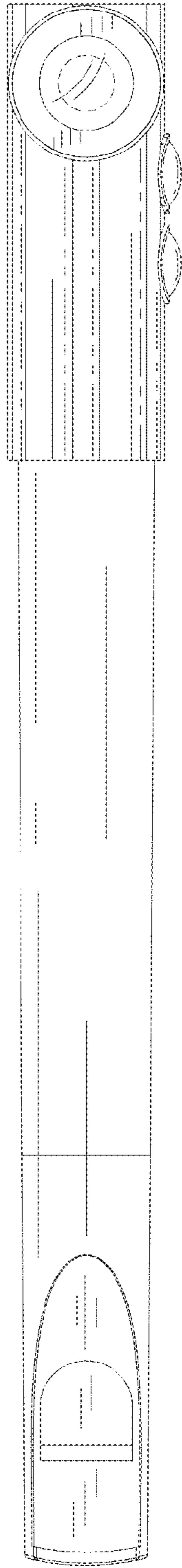


FIG. 2

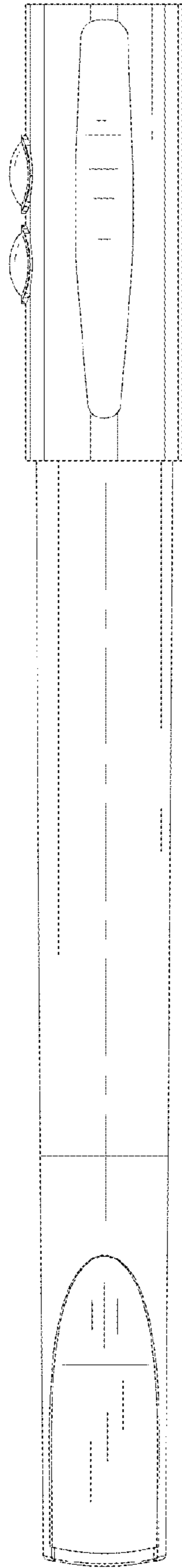


FIG.3

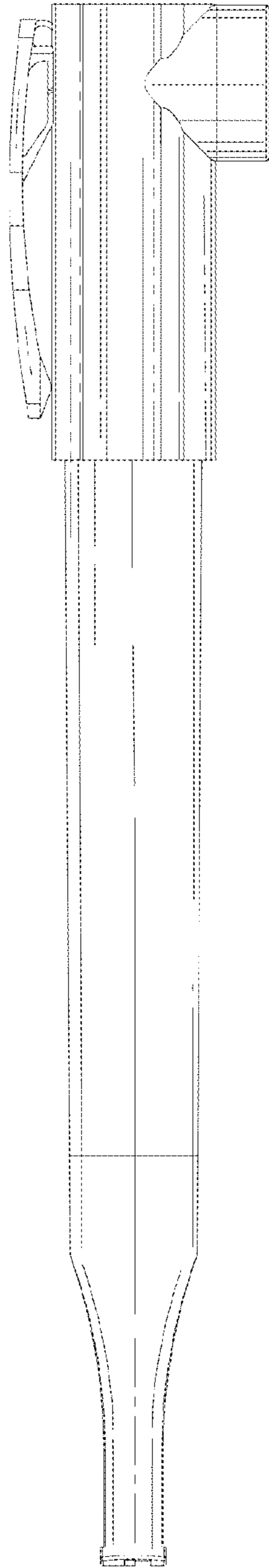


FIG.4

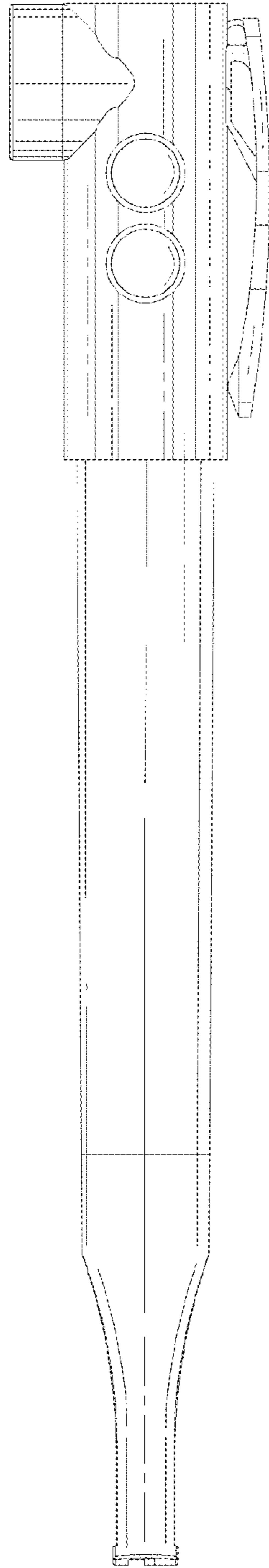


FIG. 5

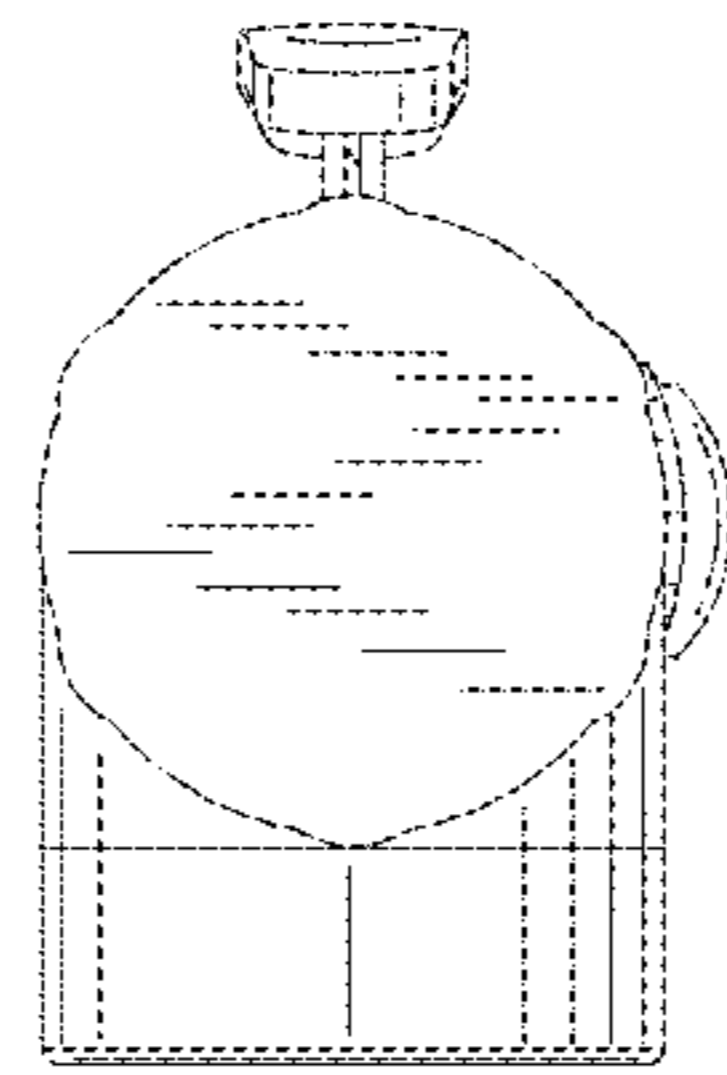


FIG.6

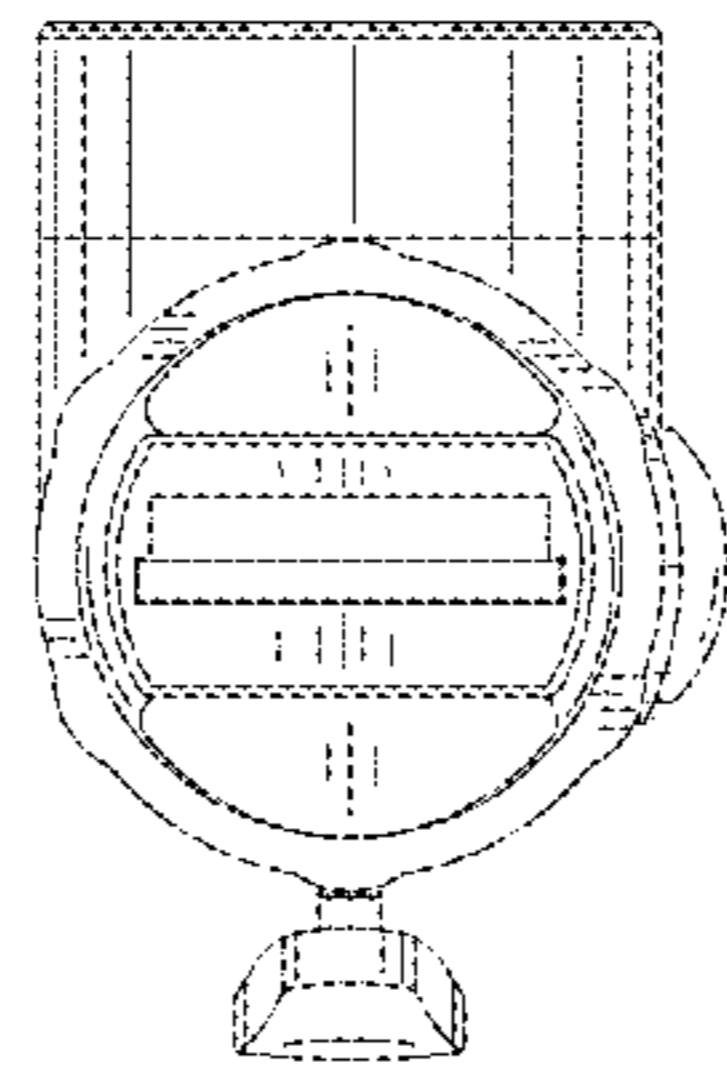


FIG.7