



US00D743073S

(12) **United States Design Patent**  
**Schmidt**

(10) **Patent No.:** **US D743,073 S**  
(45) **Date of Patent:** **\*\* Nov. 10, 2015**

(54) **FLASHLIGHT**

(71) Applicant: **flexi-Bogdahn Technik GmbH & Co. KG, Bargteheide (DE)**

(72) Inventor: **Michael Schmidt, München (DE)**

(73) Assignee: **flexi-Bogdahn Technik GmbH & Co. KG, Bargteheide (DE)**

(\*\*) Term: **14 Years**

(21) Appl. No.: **29/462,602**

(22) Filed: **Aug. 6, 2013**

(30) **Foreign Application Priority Data**

Feb. 7, 2013 (DE) ..... 40 2013 000 608

(51) **LOC (10) Cl.** ..... **26-02**

(52) **U.S. Cl.**  
USPC ..... **D26/37**

(58) **Field of Classification Search**  
USPC ..... D26/37, 38, 39, 40, 41, 46, 60;  
362/157, 158, 183, 184, 194-196,  
362/202-208  
CPC ..... F21L 2/00; F21L 4/00; F21L 4/005;  
F21L 17/00; F21L 13/08; F21Y 2101/00;  
F21V 21/30; F21V 21/406; F21W 2131/406;  
F21W 2131/407

See application file for complete search history.

(56) **References Cited**

**U.S. PATENT DOCUMENTS**

D76,636 S \* 10/1928 Ryan ..... D26/123  
D217,065 S \* 3/1970 Gugelot et al. .... D26/37  
D222,500 S \* 10/1971 Gugelot et al. .... D26/37  
D286,446 S \* 10/1986 Caroli et al. .... D26/123  
D289,920 S \* 5/1987 O'Neil, Jr. .... D23/366  
D362,079 S \* 9/1995 Brown ..... D26/39  
D371,857 S \* 7/1996 Gismondi ..... D26/85

D377,226 S \* 1/1997 Shen ..... D26/60  
D399,579 S \* 10/1998 Lai ..... D26/38  
D424,725 S \* 5/2000 Cousins ..... D26/37  
D425,225 S \* 5/2000 Holderfield ..... D26/37  
D448,505 S \* 9/2001 Dalton et al. .... D26/37  
D452,577 S \* 12/2001 Liu et al. .... D26/26  
D455,507 S \* 4/2002 Liu et al. .... D26/26  
D535,765 S \* 1/2007 Lee ..... D26/28  
D544,618 S \* 6/2007 Coughaine ..... D26/37  
D552,277 S \* 10/2007 Chue ..... D26/37  
D553,278 S \* 10/2007 Moore ..... D26/39  
D570,532 S \* 6/2008 Camarota ..... D26/120  
D580,573 S \* 11/2008 Leslie et al. .... D26/37  
D585,580 S \* 1/2009 Riffel et al. .... D26/72  
D607,600 S \* 1/2010 Keith ..... D26/85  
D617,925 S \* 6/2010 Coughaine et al. .... D26/37  
D633,635 S \* 3/2011 Poon ..... D26/60  
D677,438 S \* 3/2013 Miller et al. .... D30/152  
D684,269 S \* 6/2013 Wang et al. .... D24/209  
D694,463 S \* 11/2013 Sieczkowski ..... D26/124  
D699,380 S \* 2/2014 Weaver ..... D26/39

\* cited by examiner

*Primary Examiner* — Ian Simmons

*Assistant Examiner* — Carissa C Fitts

(74) *Attorney, Agent, or Firm* — McGlew and Tuttle, P.C.

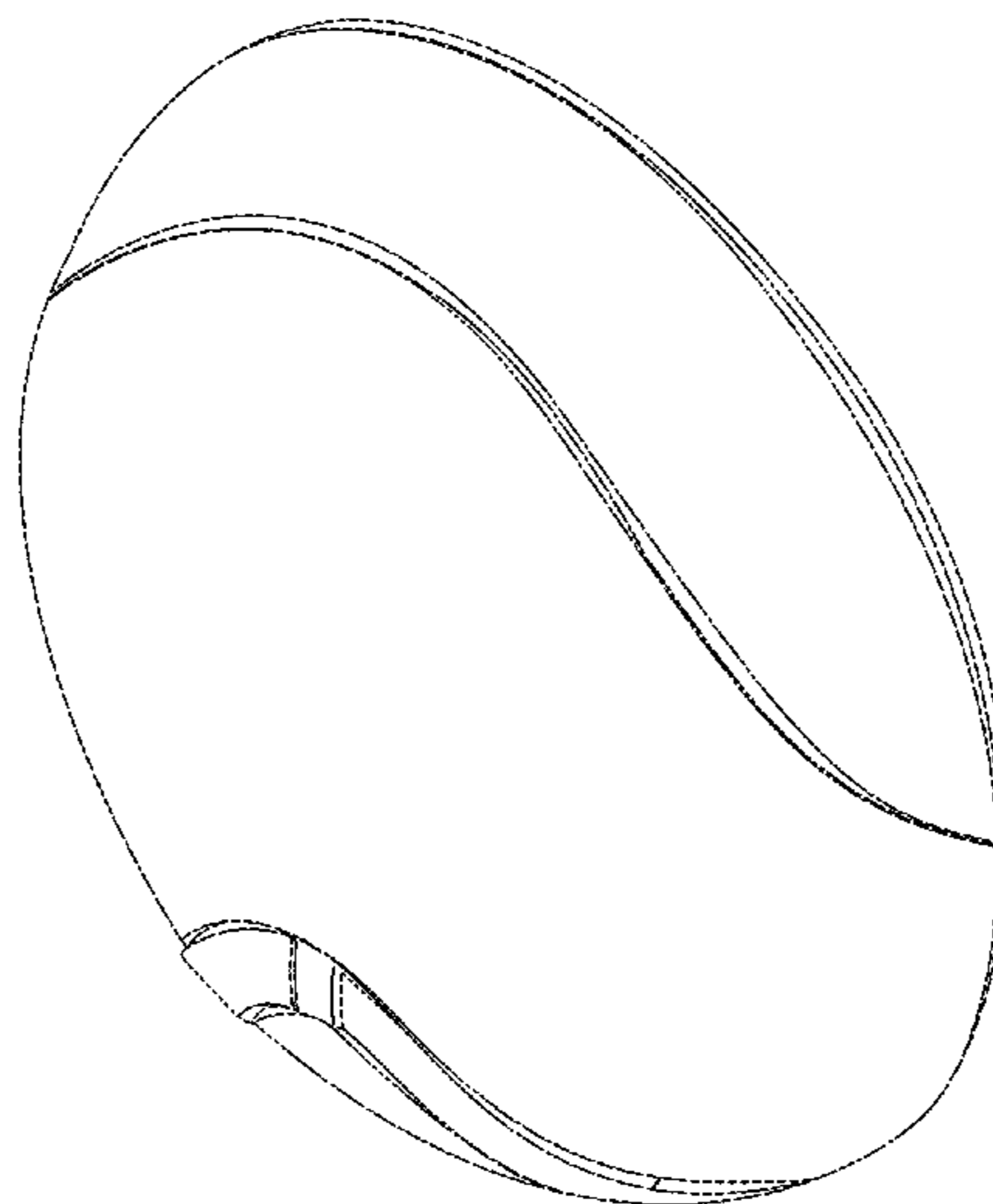
(57) **CLAIM**

The ornamental design for a flashlight, as shown and described.

**DESCRIPTION**

FIG. 1 is rear view of the flashlight design;  
FIG. 2 is left side view thereof;  
FIG. 3 is right side view thereof;  
FIG. 4 is a top view thereof;  
FIG. 5 is front view thereof;  
FIG. 6 is upper right perspective view thereof; and,  
FIG. 7 is a bottom view thereof.  
The broken lines shown represent portions of the article not claimed and form no part of the claimed design.

**1 Claim, 7 Drawing Sheets**



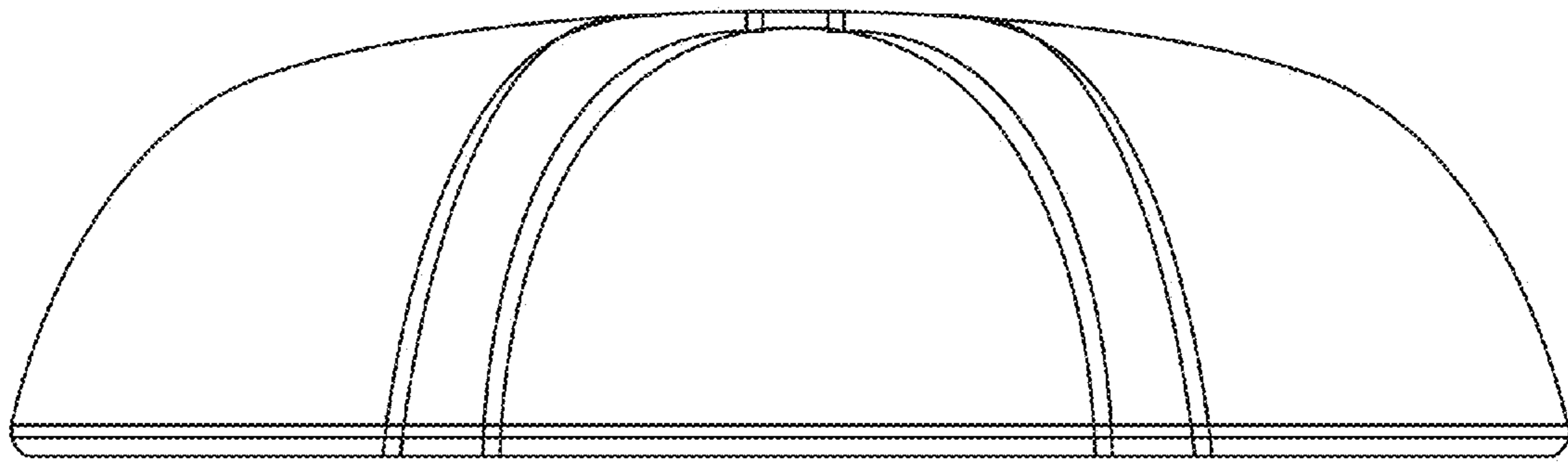


FIG. 1

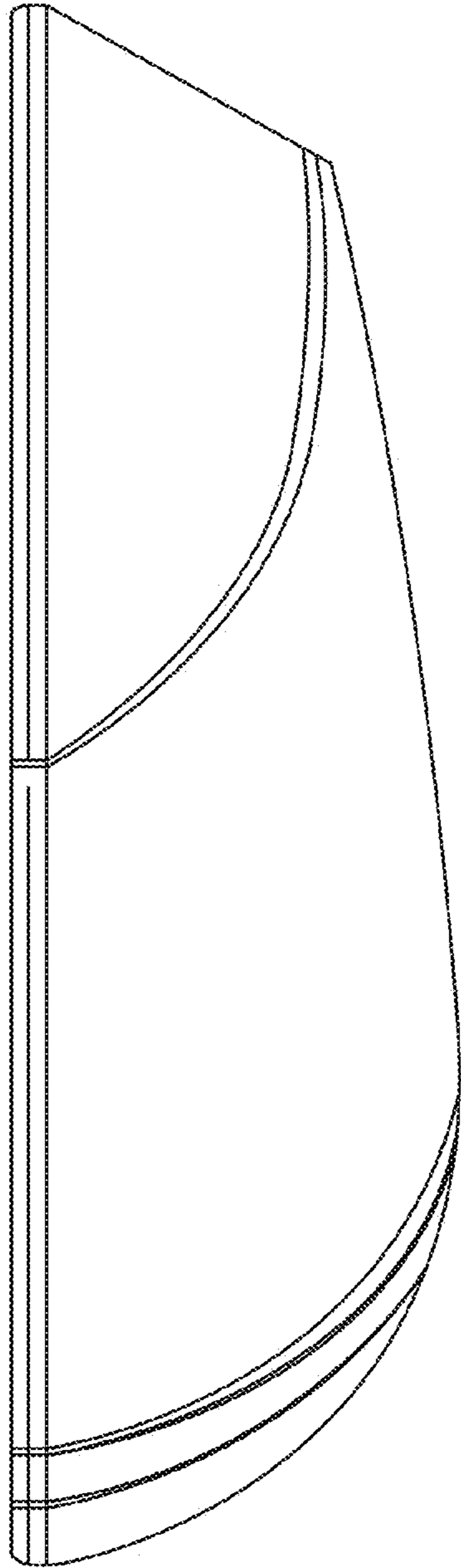


FIG. 2

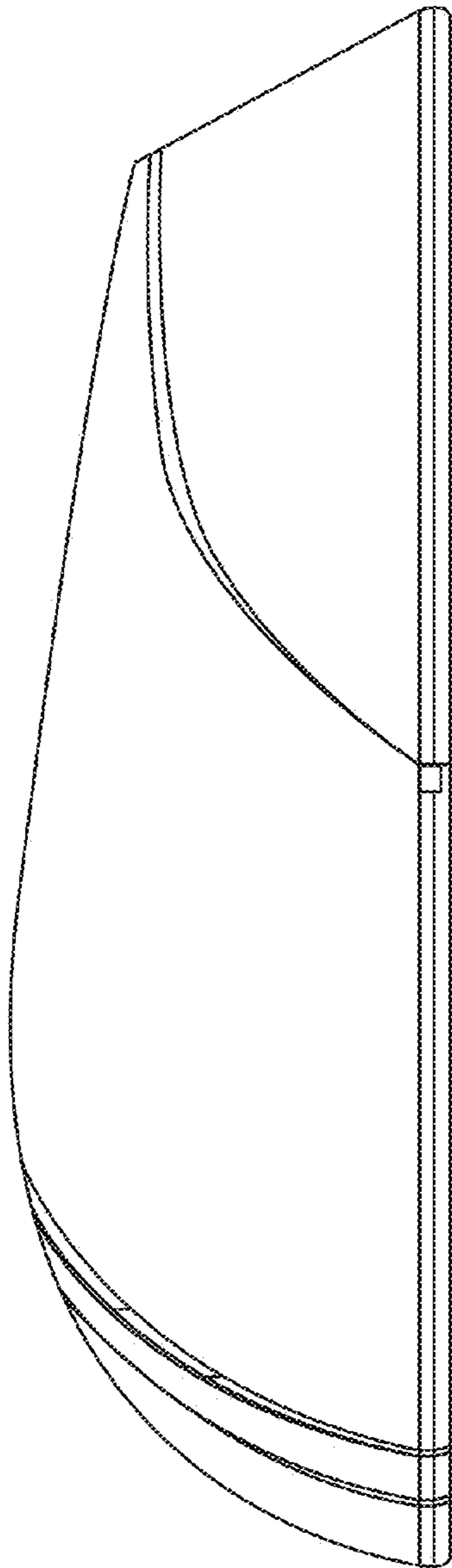


FIG. 3

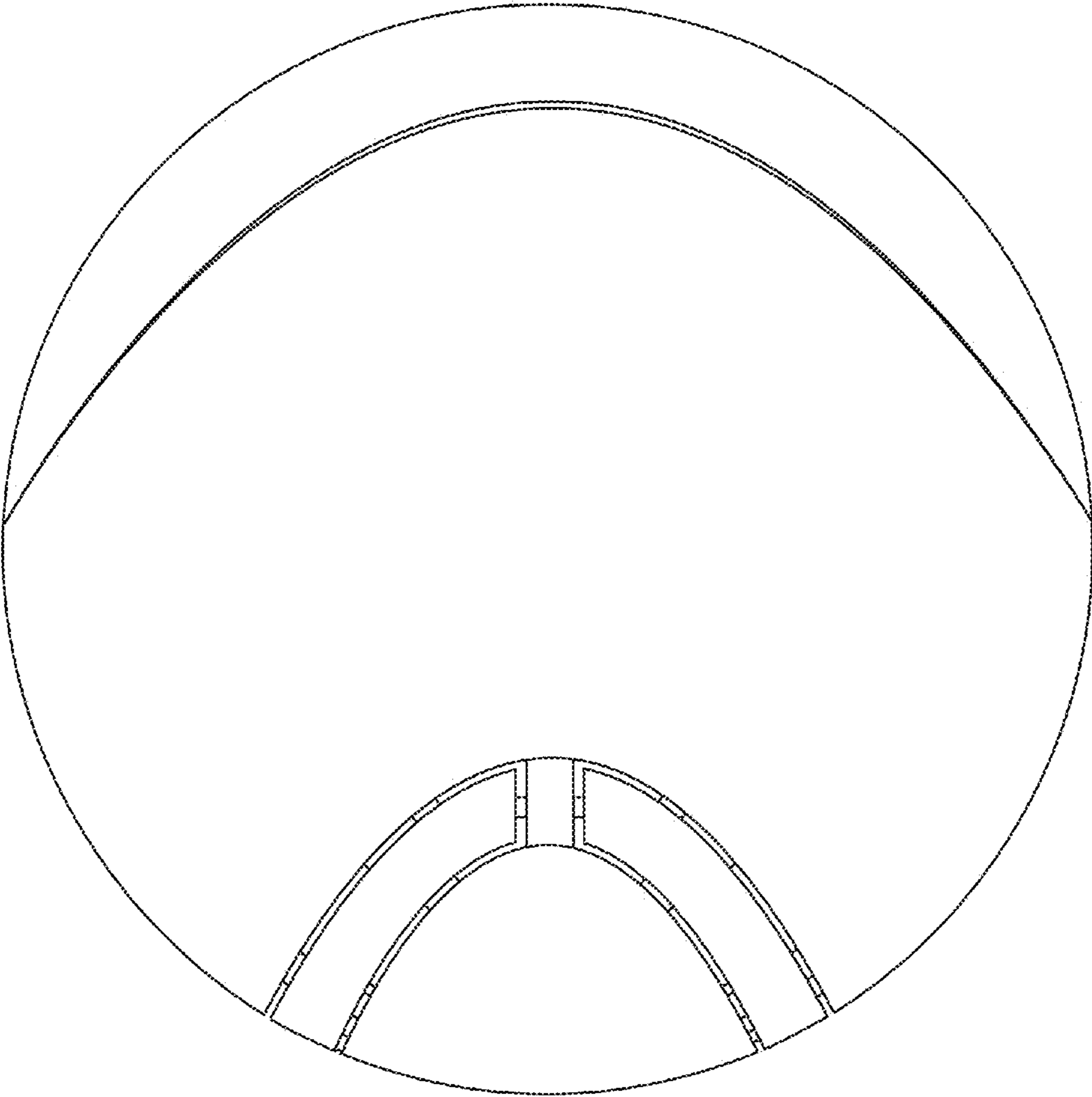


FIG. 4

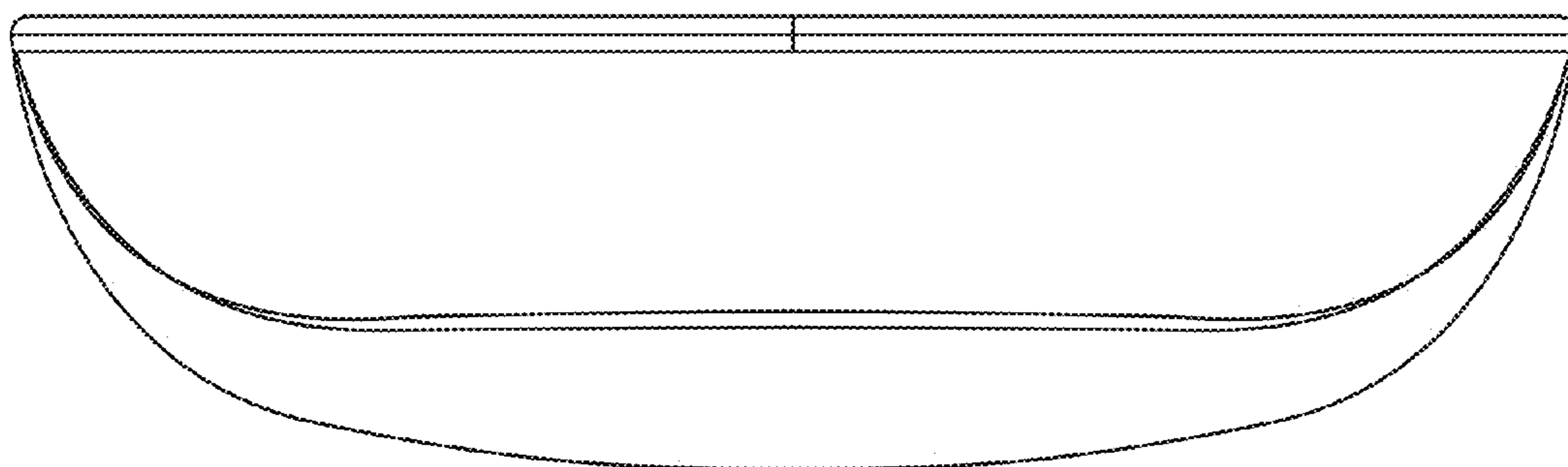


FIG. 5

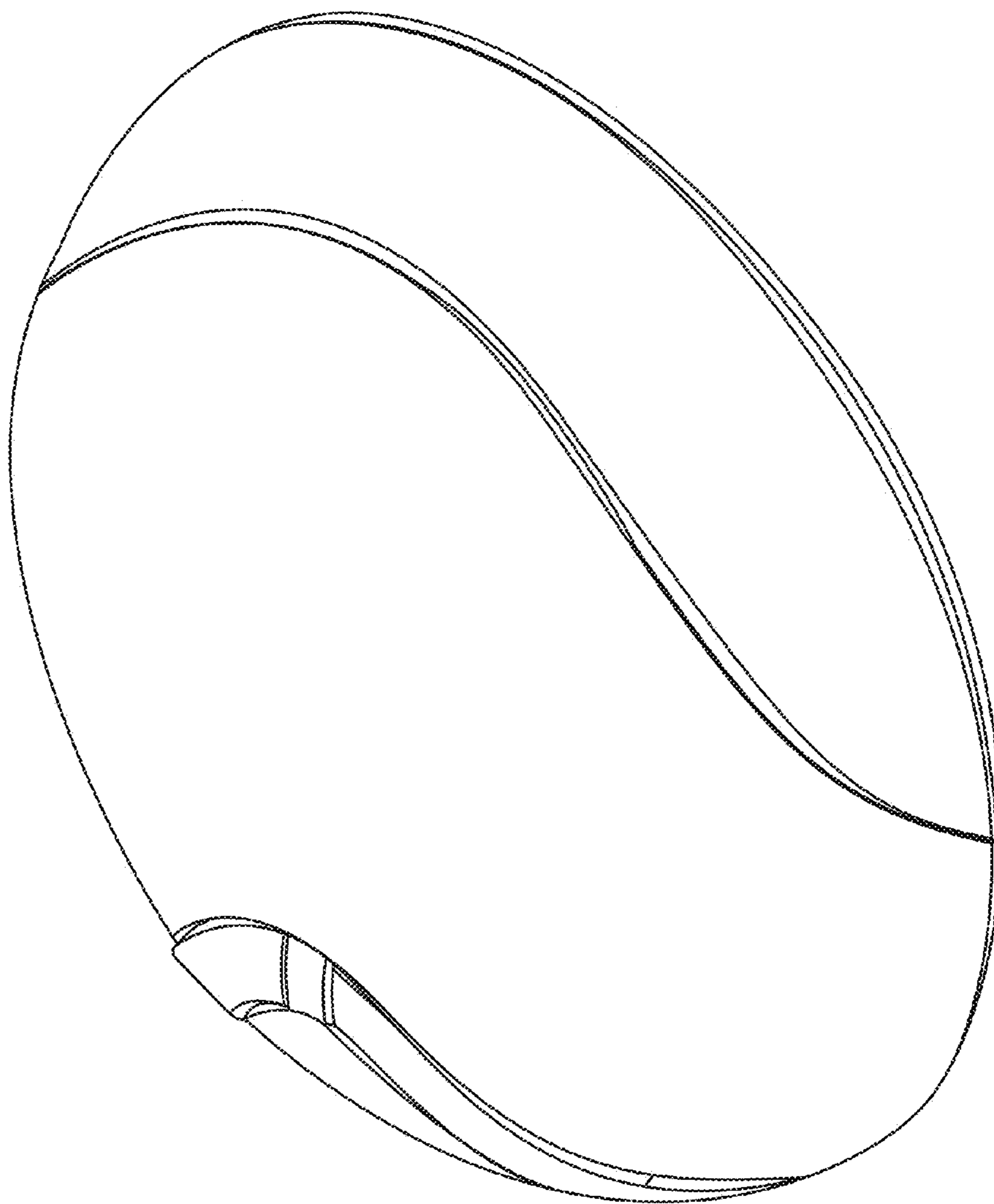


FIG. 6



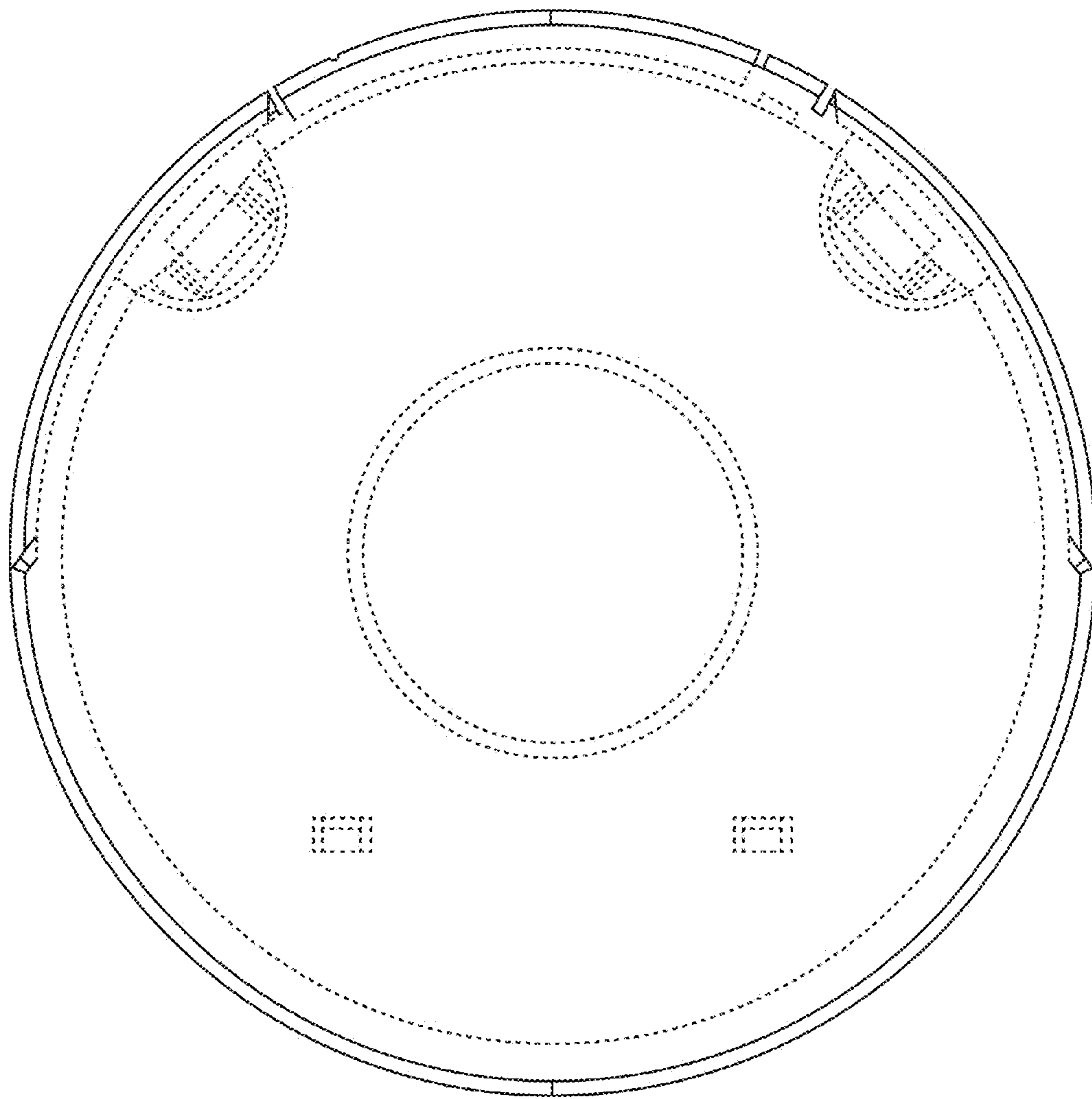


FIG. 7