



US00D743072S

(12) **United States Design Patent**
Cooper

(10) **Patent No.:** **US D743,072 S**

(45) **Date of Patent:** **** Nov. 10, 2015**

(54) **WORKLIGHT**

(71) Applicant: **Wilmar Corporation**, Renton, WA (US)

(72) Inventor: **David James Cooper**, Renton, WA (US)

(73) Assignee: **Wilmar Corporation**, Renton, WA (US)

(**) Term: **14 Years**

(21) Appl. No.: **29/440,924**

(22) Filed: **Dec. 28, 2012**

(51) **LOC (10) Cl.** **26-02**

(52) **U.S. Cl.**
USPC **D26/37**

(58) **Field of Classification Search**
USPC D26/49, 51, 113, 37; 362/157, 158,
362/183, 184, 194-196, 200-208, 253
CPC F21V 33/00; F21V 14/025; F21V 21/406;
F21Y 2101/02; F21L 17/00; F21L 13/08
See application file for complete search history.

(56) **References Cited**

U.S. PATENT DOCUMENTS

D312,316 S	*	11/1990	Molony et al.	D26/37
D351,479 S	*	10/1994	Meyer	D26/37
D357,087 S	*	4/1995	Young	D26/60
D477,432 S	*	7/2003	Parsons	D26/37
D514,241 S	*	1/2006	Franks et al.	D26/38
D535,416 S	*	1/2007	O'Dell	D26/37
D542,453 S	*	5/2007	Osiecki	D26/37
D553,276 S	*	10/2007	Campbell	D26/37
D556,926 S	*	12/2007	Thirouin	D26/37
D588,291 S	*	3/2009	VanderWoude	D26/37
D631,178 S	*	1/2011	Kovacik et al.	D26/38
D639,469 S	*	6/2011	Zhuang	D26/37

(Continued)

OTHER PUBLICATIONS

Maxcraft Flyer, Jun. 2009.

Primary Examiner — Ian Simmons

Assistant Examiner — Carissa C Fitts

(74) *Attorney, Agent, or Firm* — Baumgartner Patent Law;
Marc Baumgartner

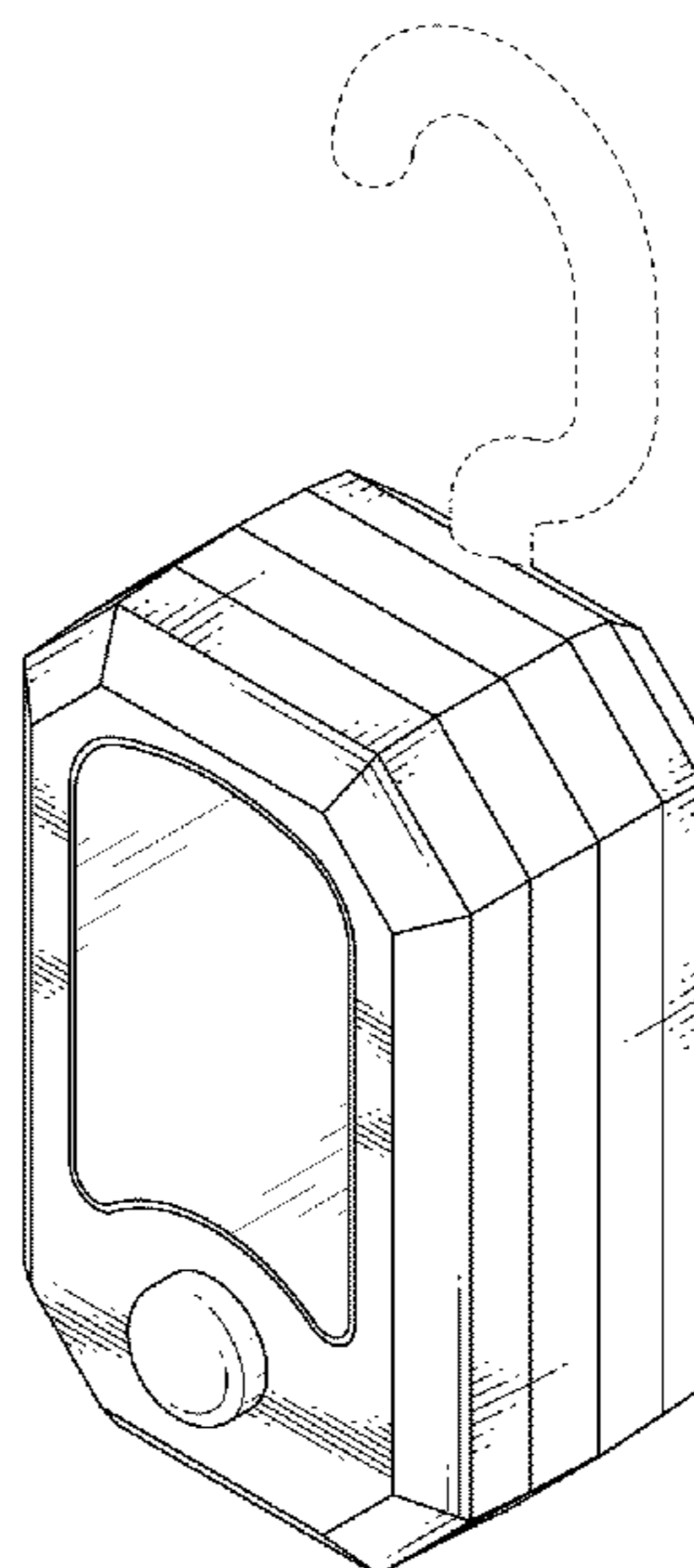
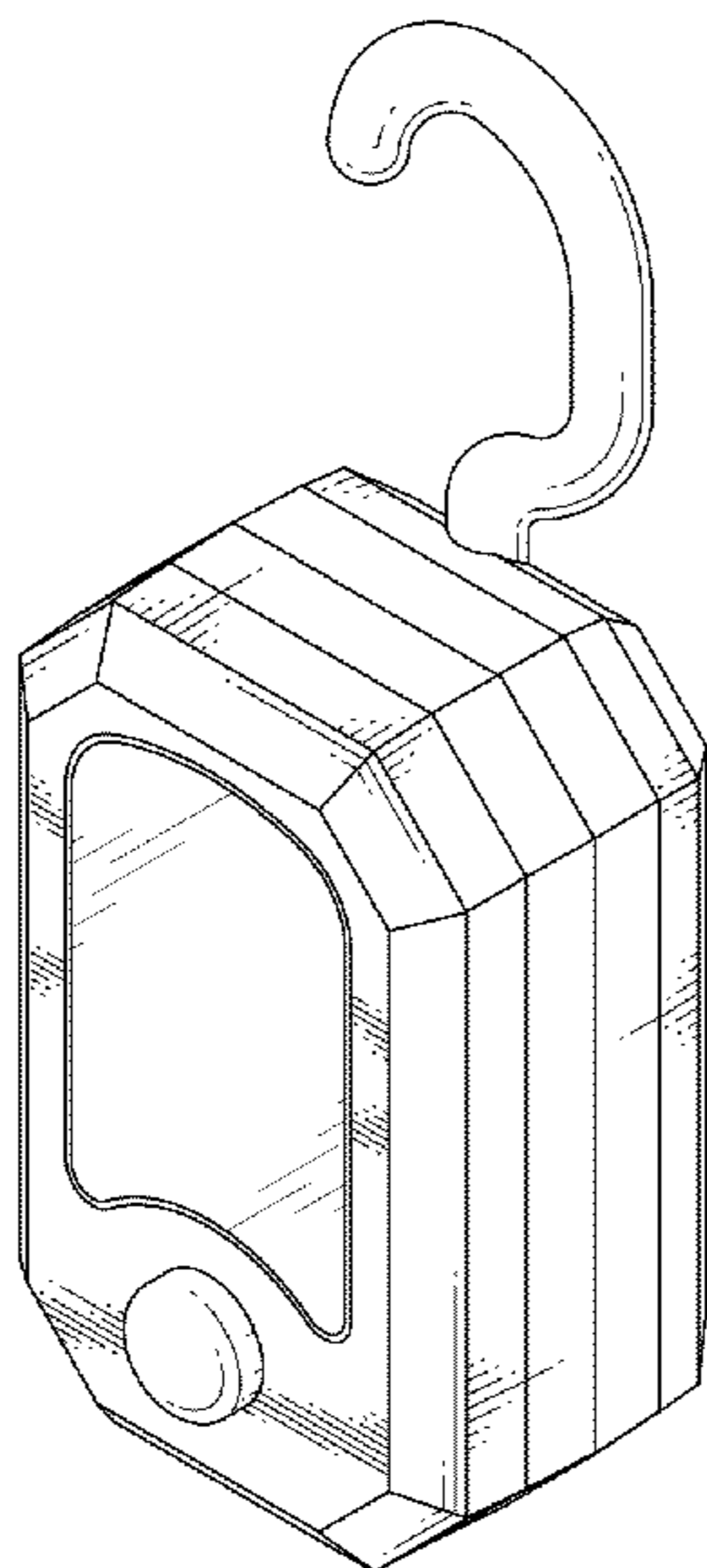
(57) **CLAIM**

The ornamental design for a worklight, as shown and described.

DESCRIPTION

FIG. 1 is a perspective view of a first embodiment of a worklight embodying my design;
 FIG. 2 is a front view of the worklight of FIG. 1;
 FIG. 3 is a rear view of the worklight of FIG. 1;
 FIG. 4 is a first side view of the worklight of FIG. 1;
 FIG. 5 is a second side view of the worklight of FIG. 1;
 FIG. 6 is a top view of the worklight of FIG. 1;
 FIG. 7 is a bottom view of the worklight of FIG. 1;
 FIG. 8 is a perspective view of a second embodiment of a worklight embodying my design;
 FIG. 9 is a front view of the worklight of FIG. 8;
 FIG. 10 is a rear view of the worklight of FIG. 8;
 FIG. 11 is a first side view of the worklight of FIG. 8;
 FIG. 12 is a second side view of the worklight of FIG. 8;
 FIG. 13 is a top view of the worklight of FIG. 8; and,
 FIG. 14 is a bottom view of the worklight of FIG. 8.
 The broken line showing represents portions of the article not claimed and forms no part of the claimed design.

1 Claim, 4 Drawing Sheets



US D743,072 S

Page 2

(56)

References Cited

U.S. PATENT DOCUMENTS

D729,425 S *	5/2015	Wright	D26/37	
D737,491 S *	8/2015	Shen	D26/50	
D738,022 S *	9/2015	Shen	D26/50	
D651,731 S	1/2012	Xu			
D695,434 S *	12/2013	Shen	D26/41	* cited by examiner

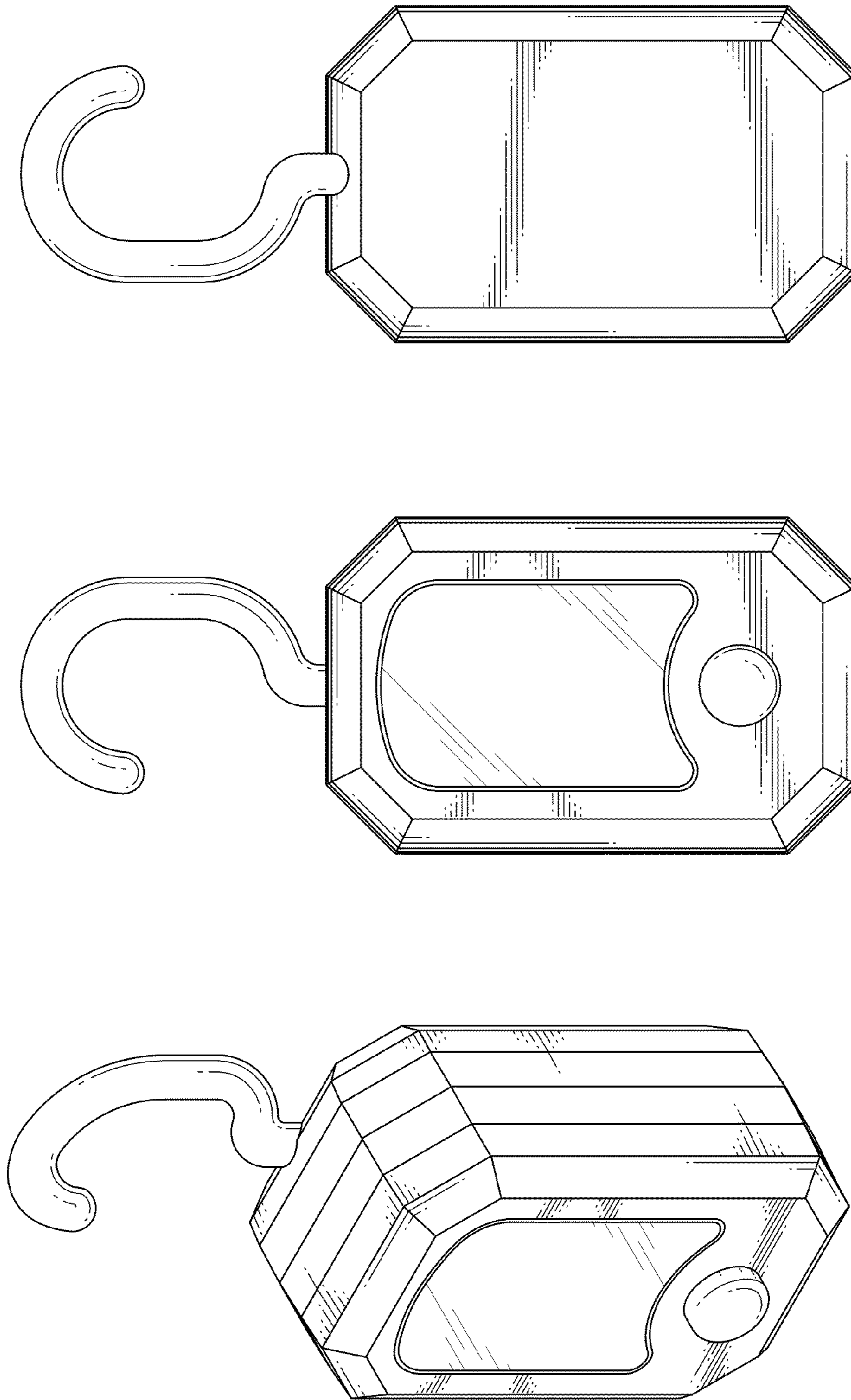


FIG. 3

FIG. 2

FIG. 1

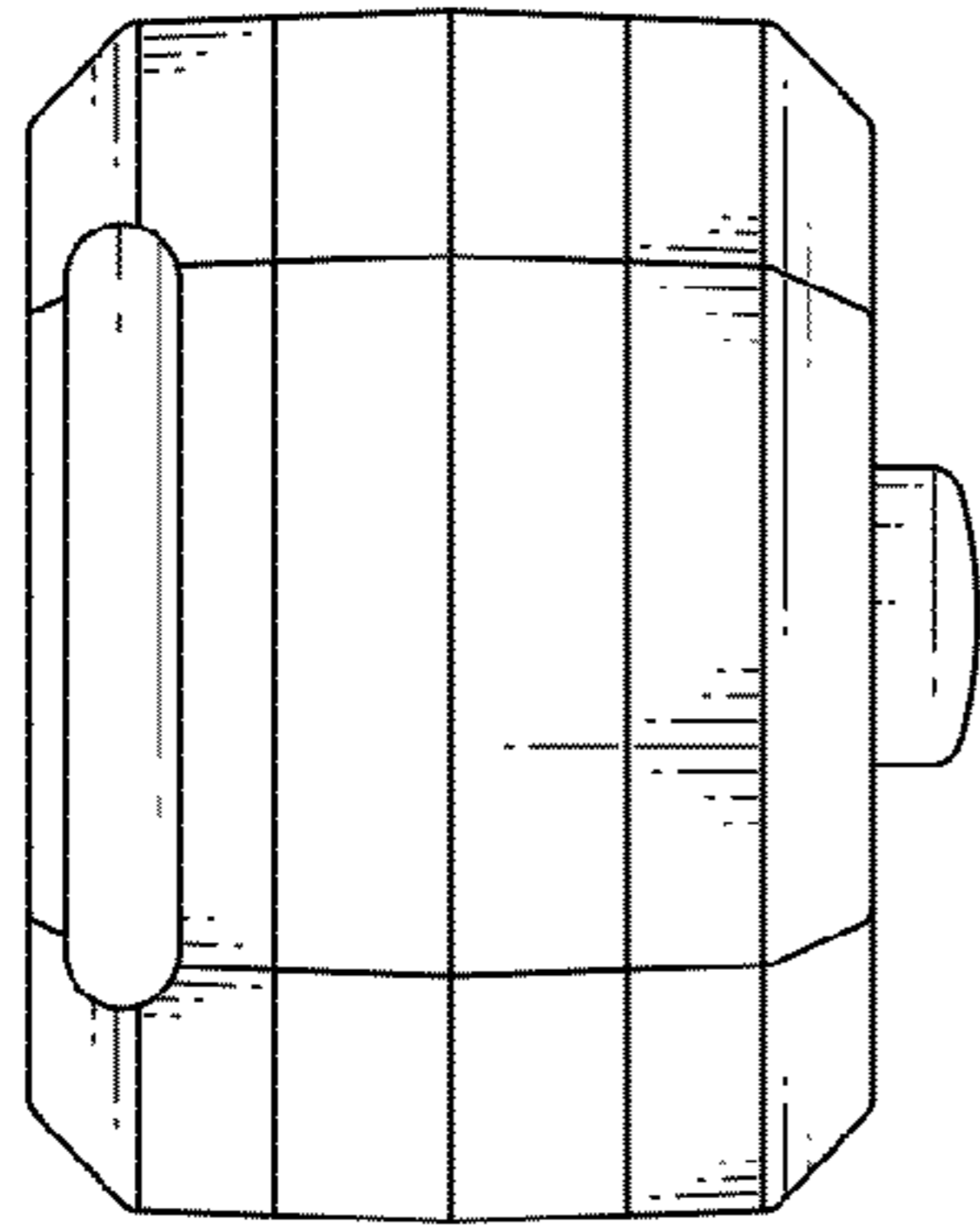


FIG. 6

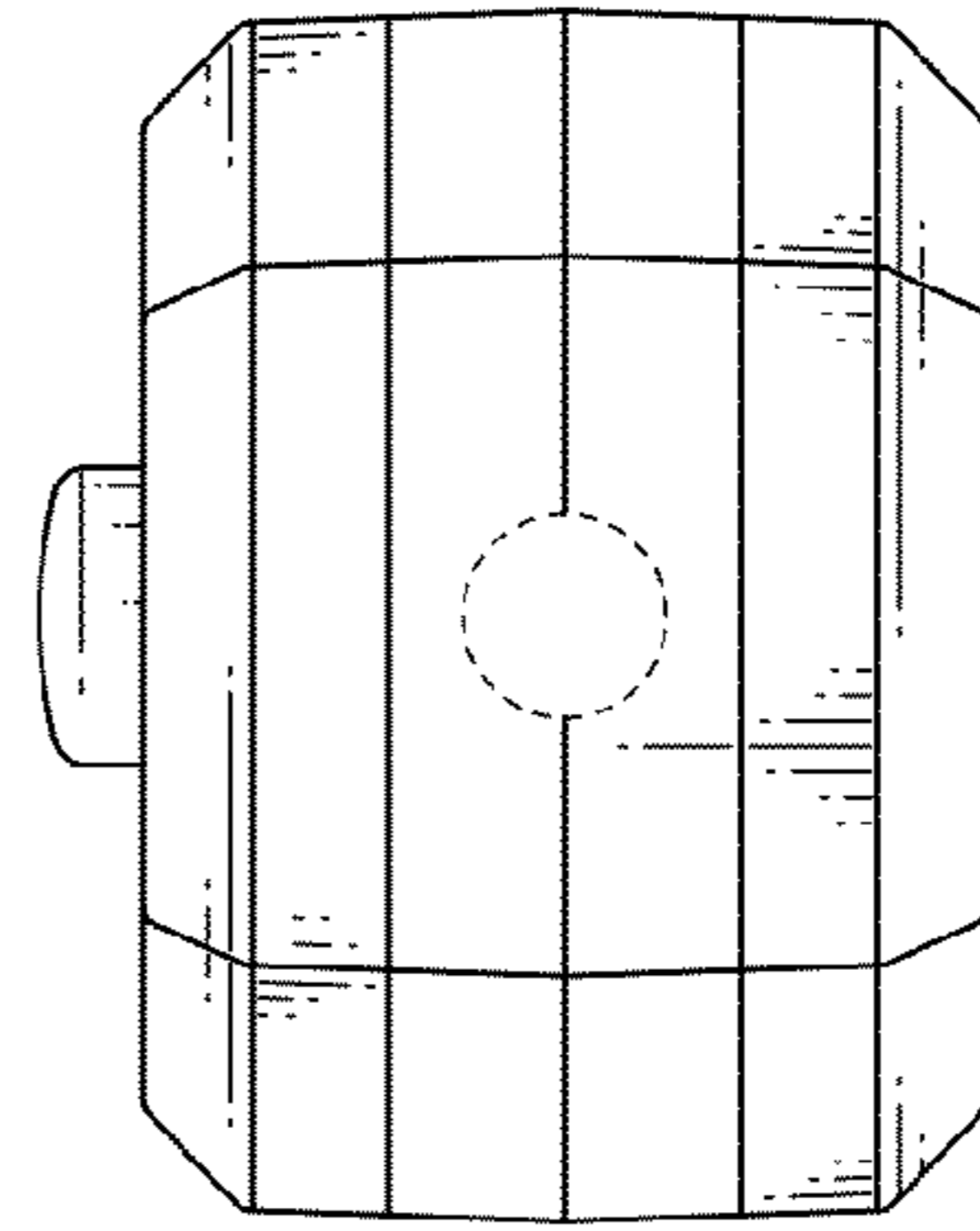


FIG. 7

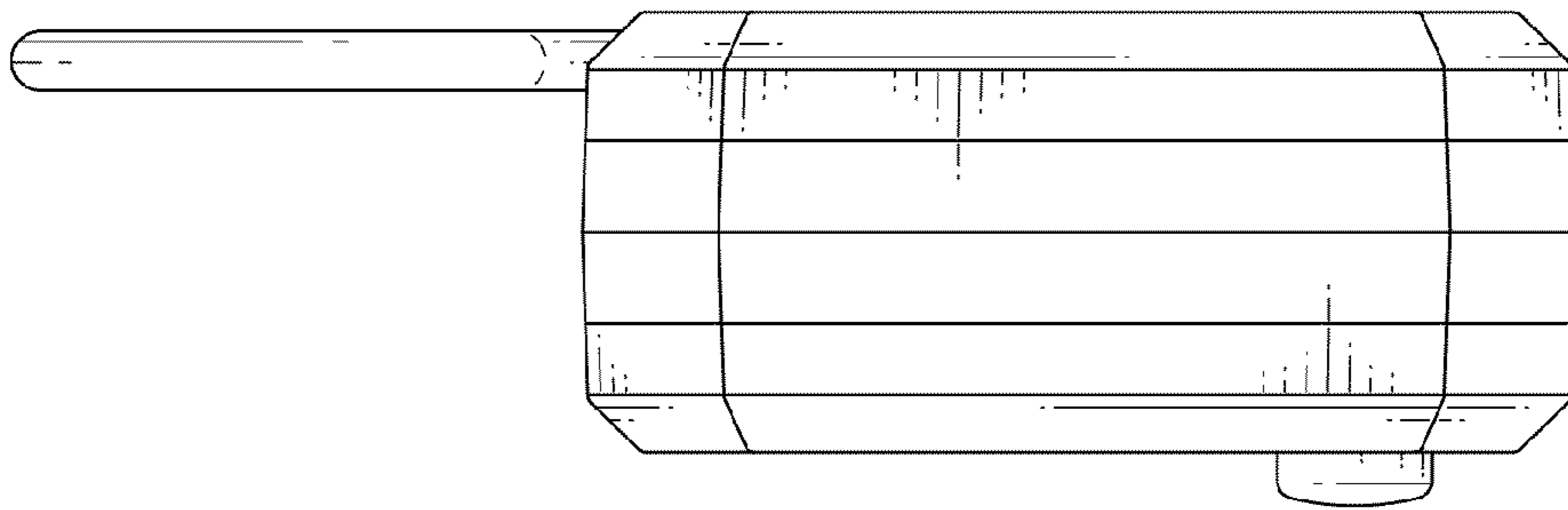


FIG. 5

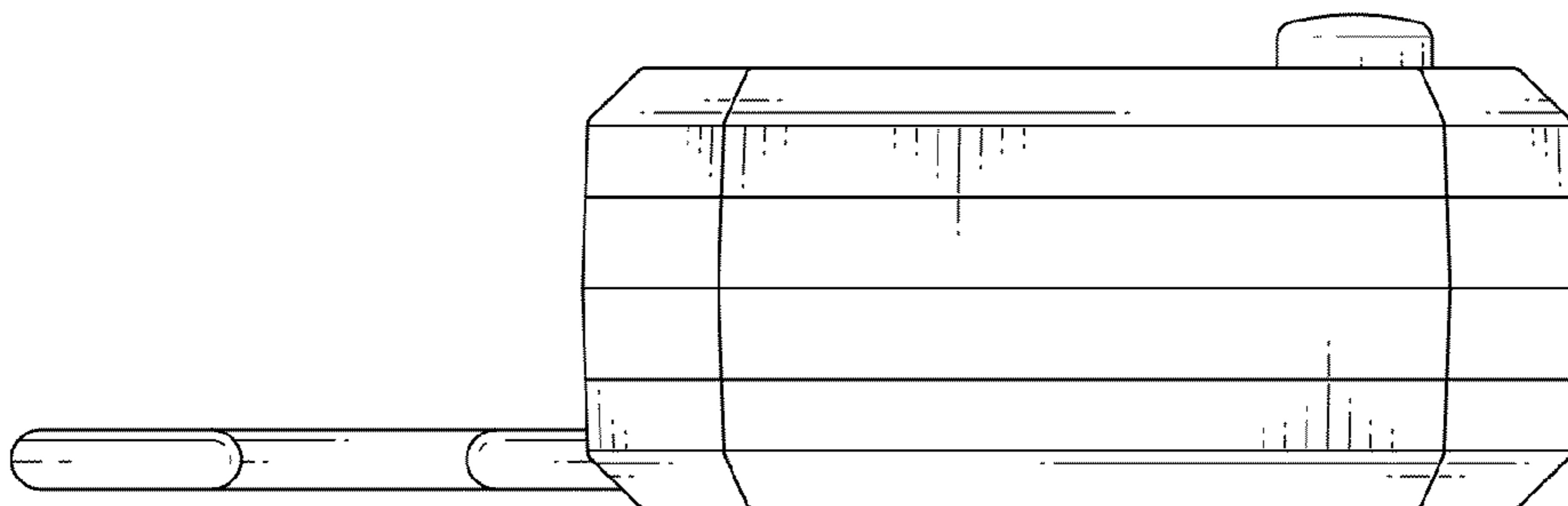


FIG. 4

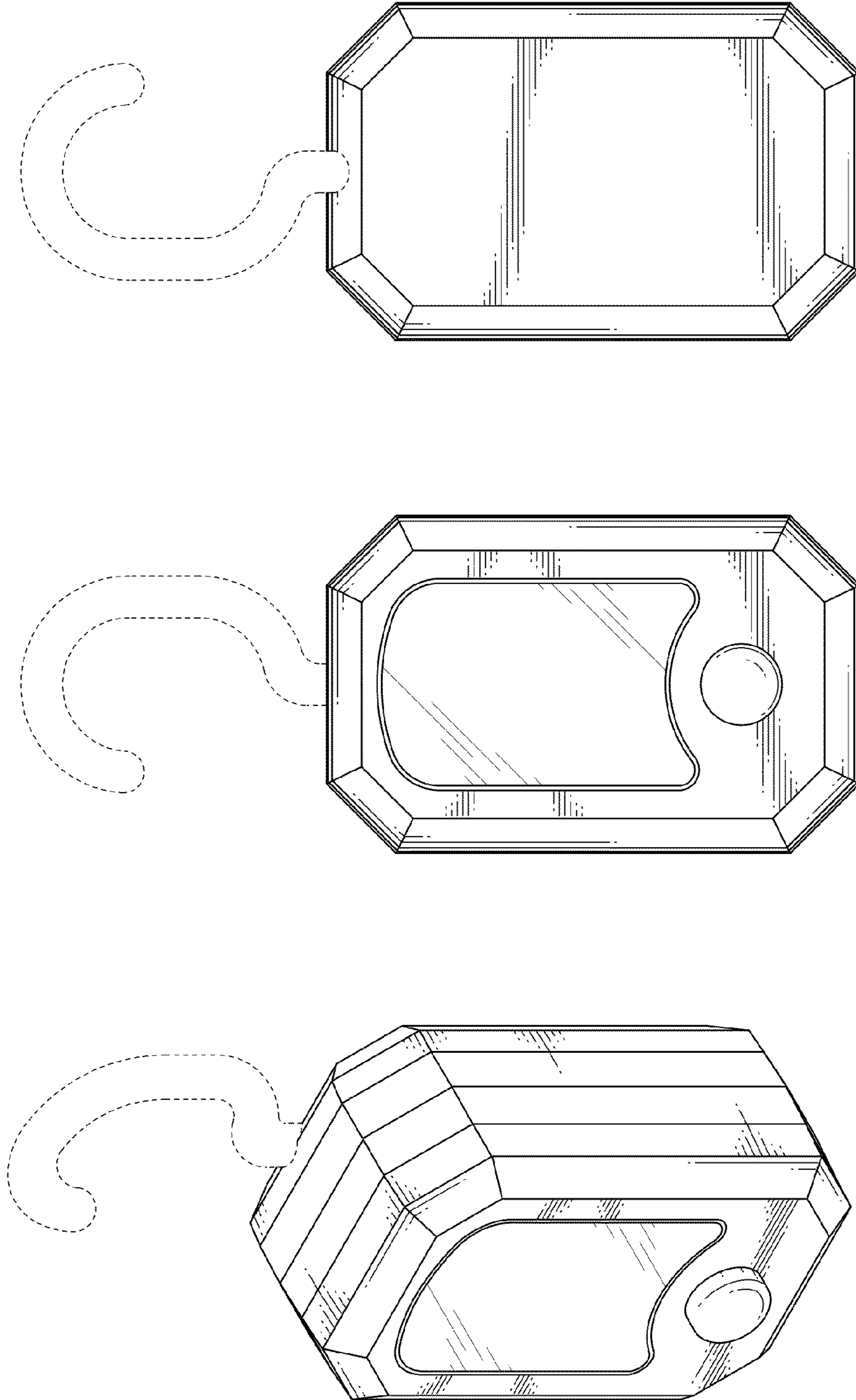


FIG. 10

FIG. 9

FIG. 8

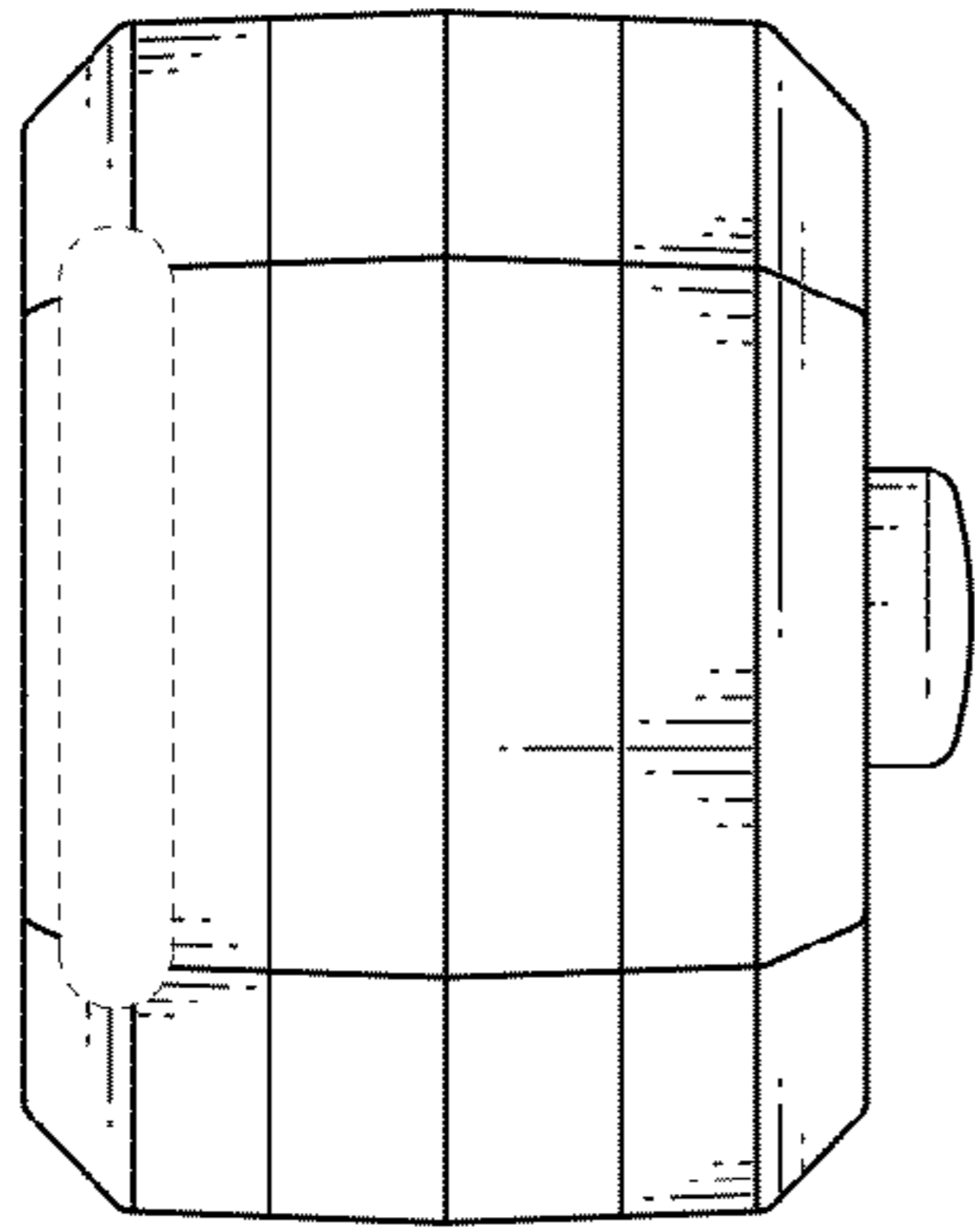


FIG. 13

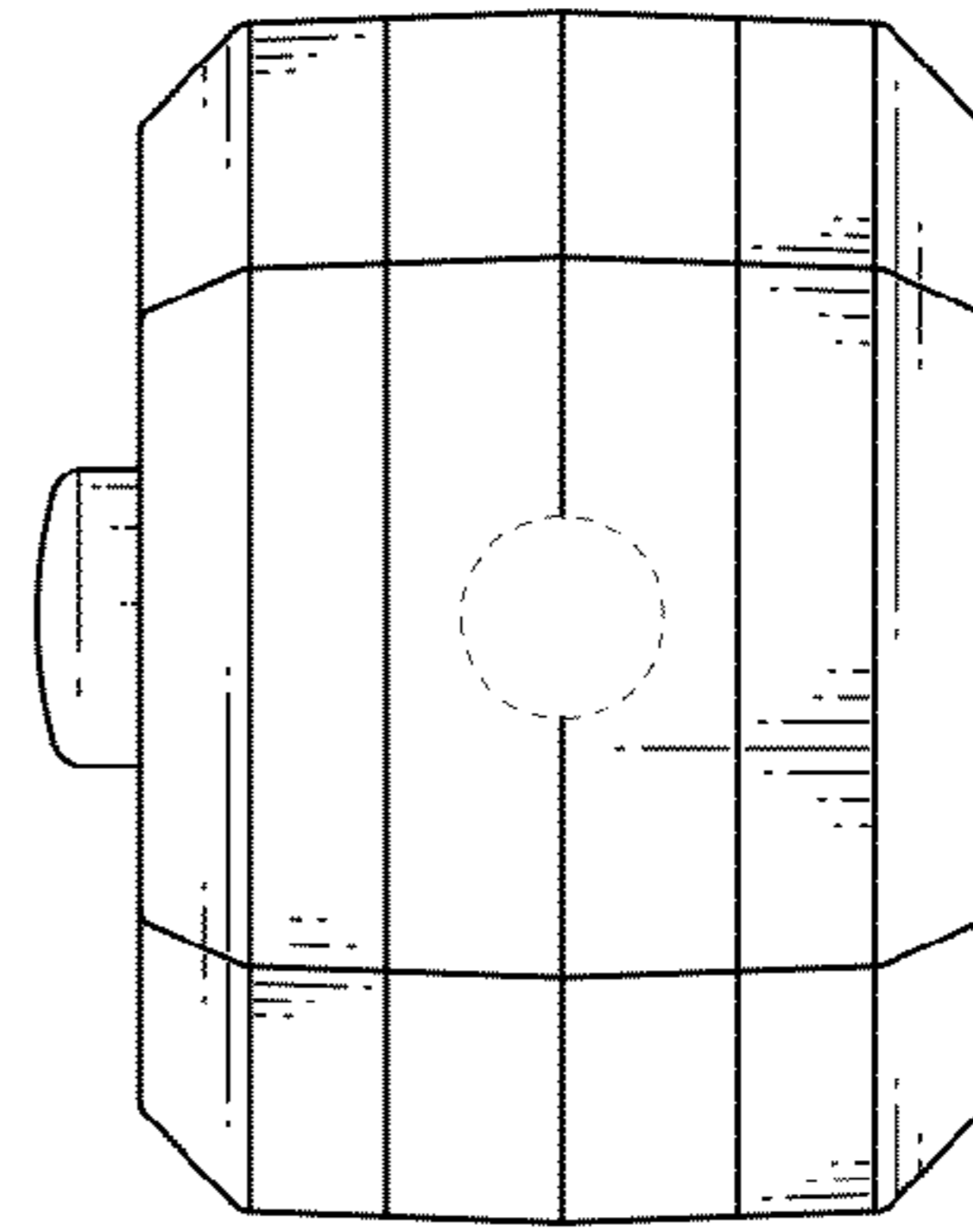


FIG. 14

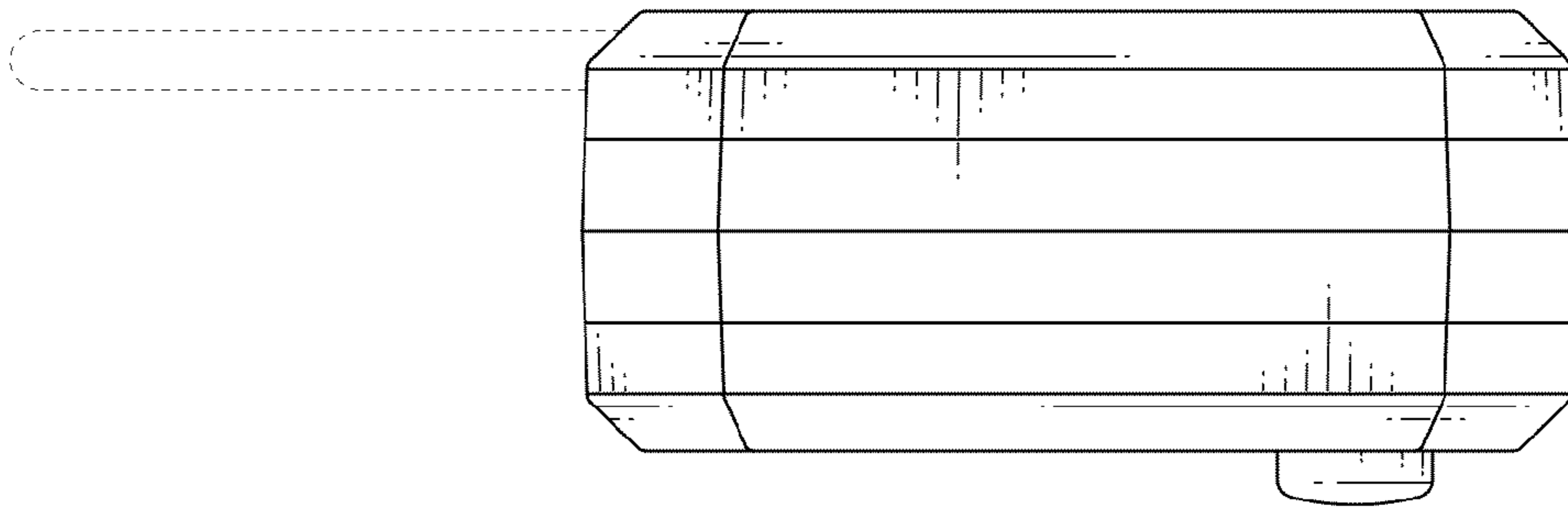


FIG. 12

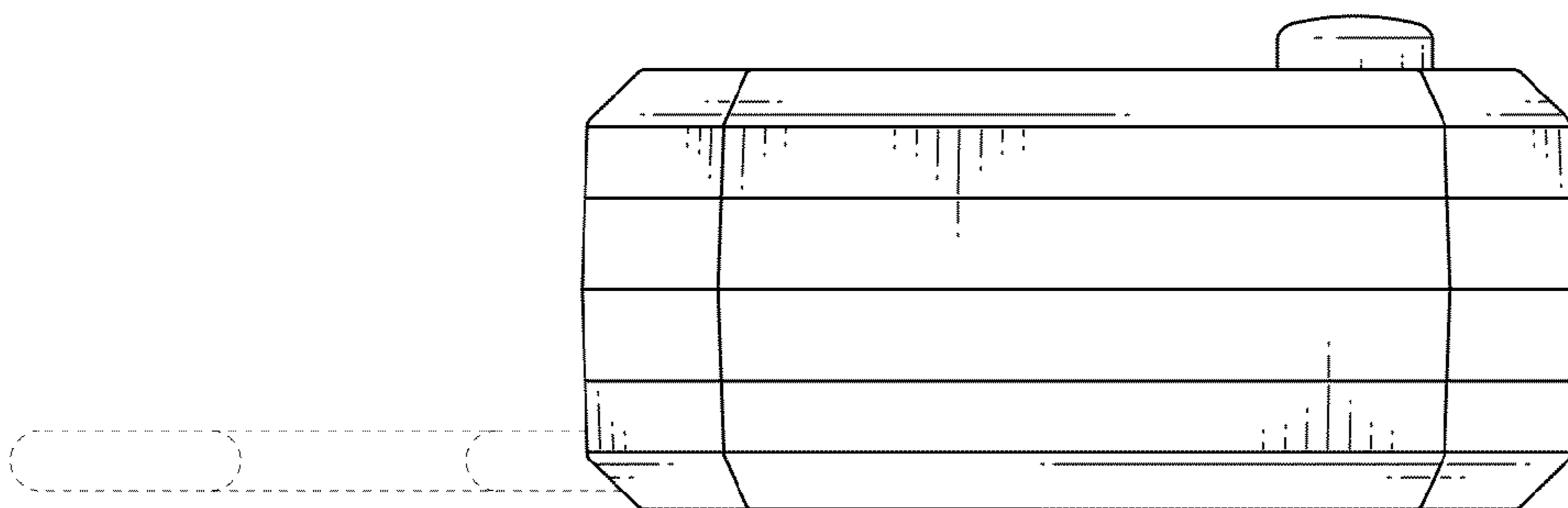


FIG. 11