



US00D743071S

(12) **United States Design Patent**
Kao

(10) **Patent No.:** **US D743,071 S**

(45) **Date of Patent:** **** Nov. 10, 2015**

(54) **VEHICLE LAMP**

(71) Applicant: **TKS INDUSTRIAL CO., LTD.**, Tainan (TW)

(72) Inventor: **Chung-Hsu Kao**, Tainan (TW)

(73) Assignee: **TKS Industrial Co., LTD.**, Tainan (TW)

(**) Term: **14 Years**

(21) Appl. No.: **29/509,184**

(22) Filed: **Nov. 14, 2014**

(51) **LOC (10) Cl.** **26-06**

(52) **U.S. Cl.**
USPC **D26/28**

(58) **Field of Classification Search**
USPC D26/28-36; 362/459-468, 475-478, 362/485-487
CPC F21S 48/00; F21S 48/10; F21S 48/115; F21S 48/1233; F21S 48/1266; F21S 48/1388; F21S 48/2268; F21V 21/04

See application file for complete search history.

(56) **References Cited**

U.S. PATENT DOCUMENTS

D528,231 S *	9/2006	Ikeda	D26/28
D528,686 S *	9/2006	Kato	D26/28
D529,208 S *	9/2006	Ikeda	D26/28
D535,409 S *	1/2007	Yamaguchi	D26/28

* cited by examiner

Primary Examiner — Marcus Jackson

(74) *Attorney, Agent, or Firm* — LeClairRyan

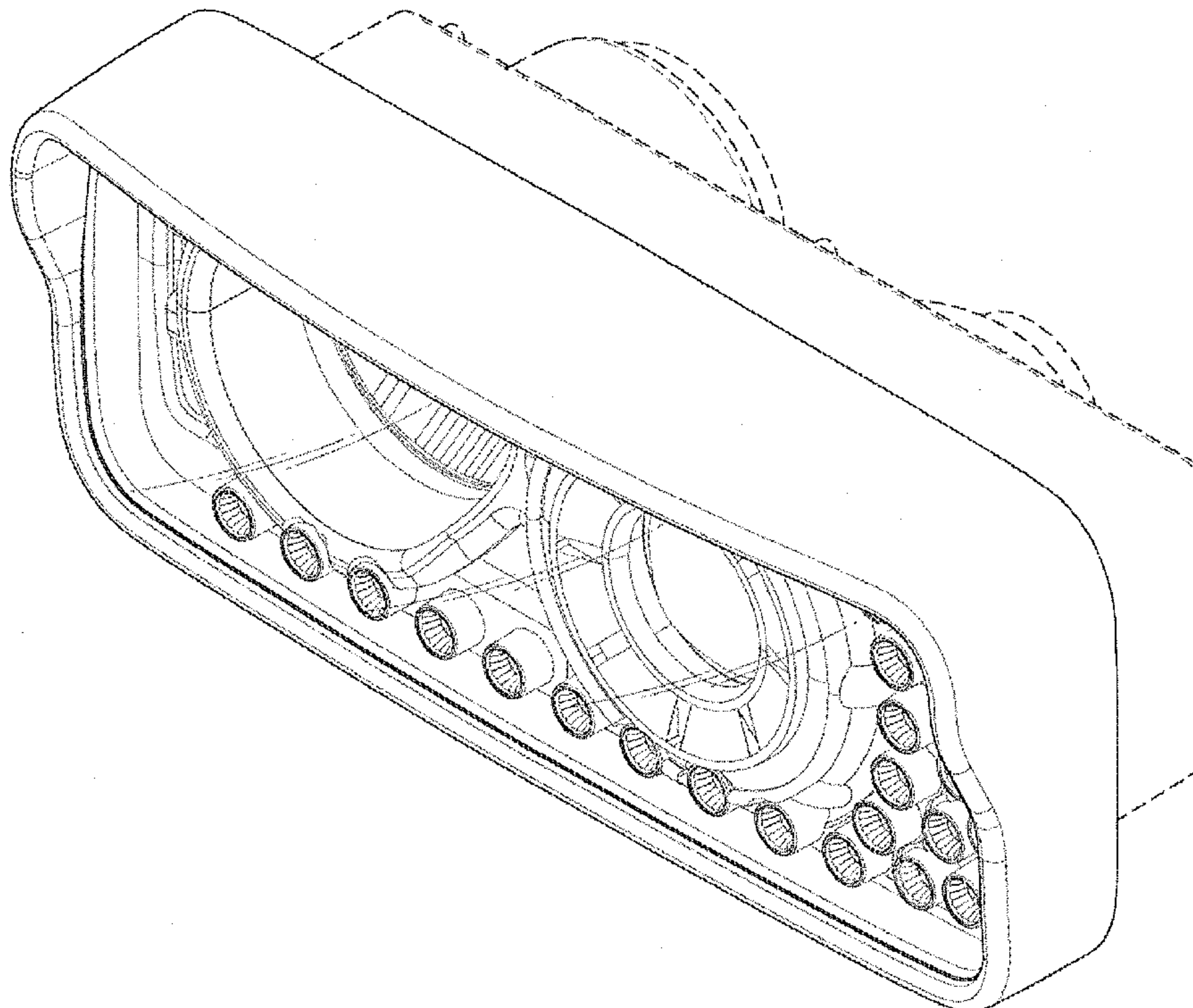
(57) **CLAIM**

The ornamental design for vehicle lamp, as shown and described.

DESCRIPTION

FIG. 1 is a perspective view of vehicle lamp showing my new design;
FIG. 2 is a front elevational view thereof;
FIG. 3 is a rear elevational view thereof;
FIG. 4 is a left side elevational view thereof;
FIG. 5 is a right side elevational view thereof;
FIG. 6 is a top plan view thereof; and,
FIG. 7 is a bottom plan view thereof.
The portions shown in dashed lines do not form part of the design.

1 Claim, 7 Drawing Sheets



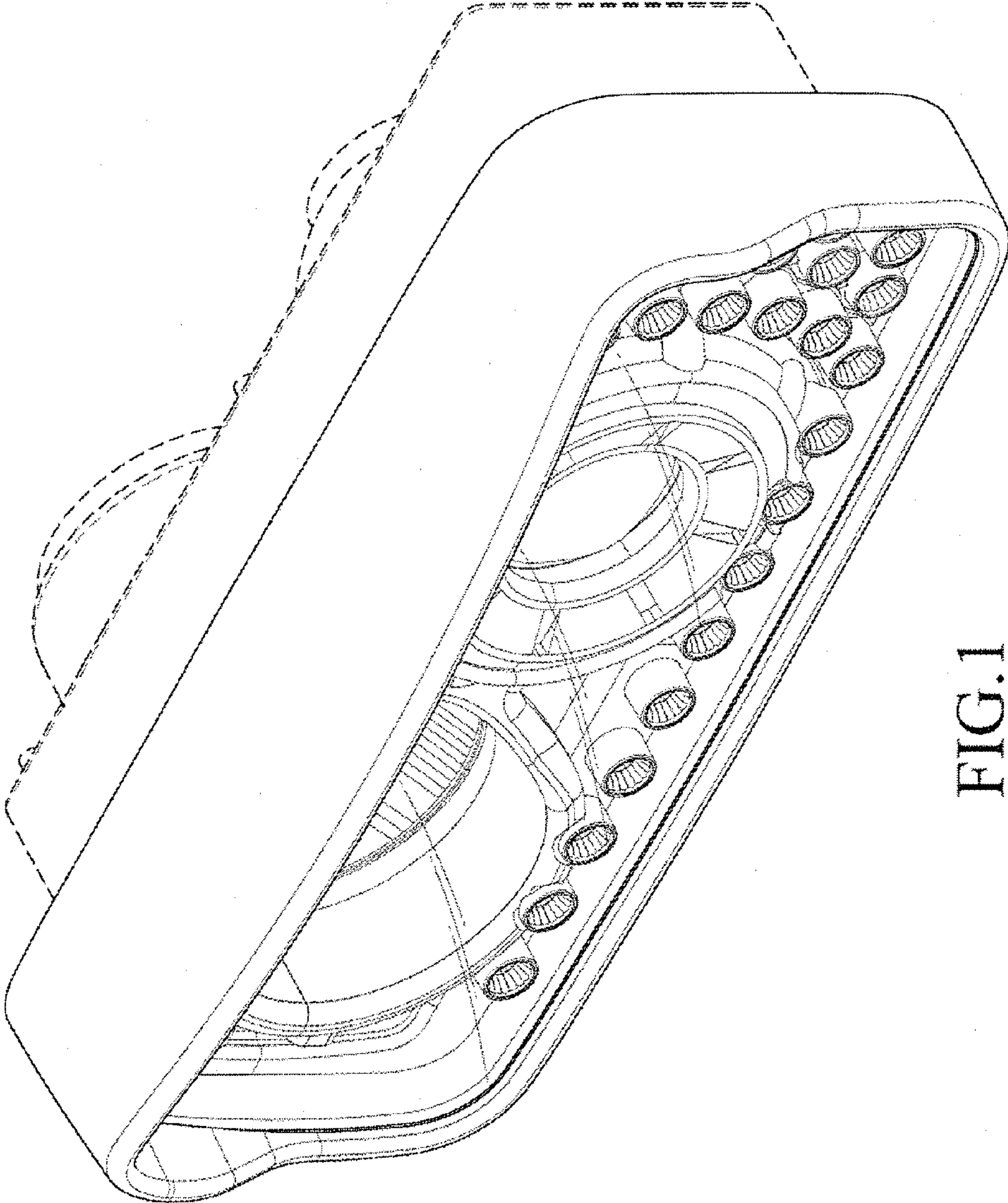


FIG. 1

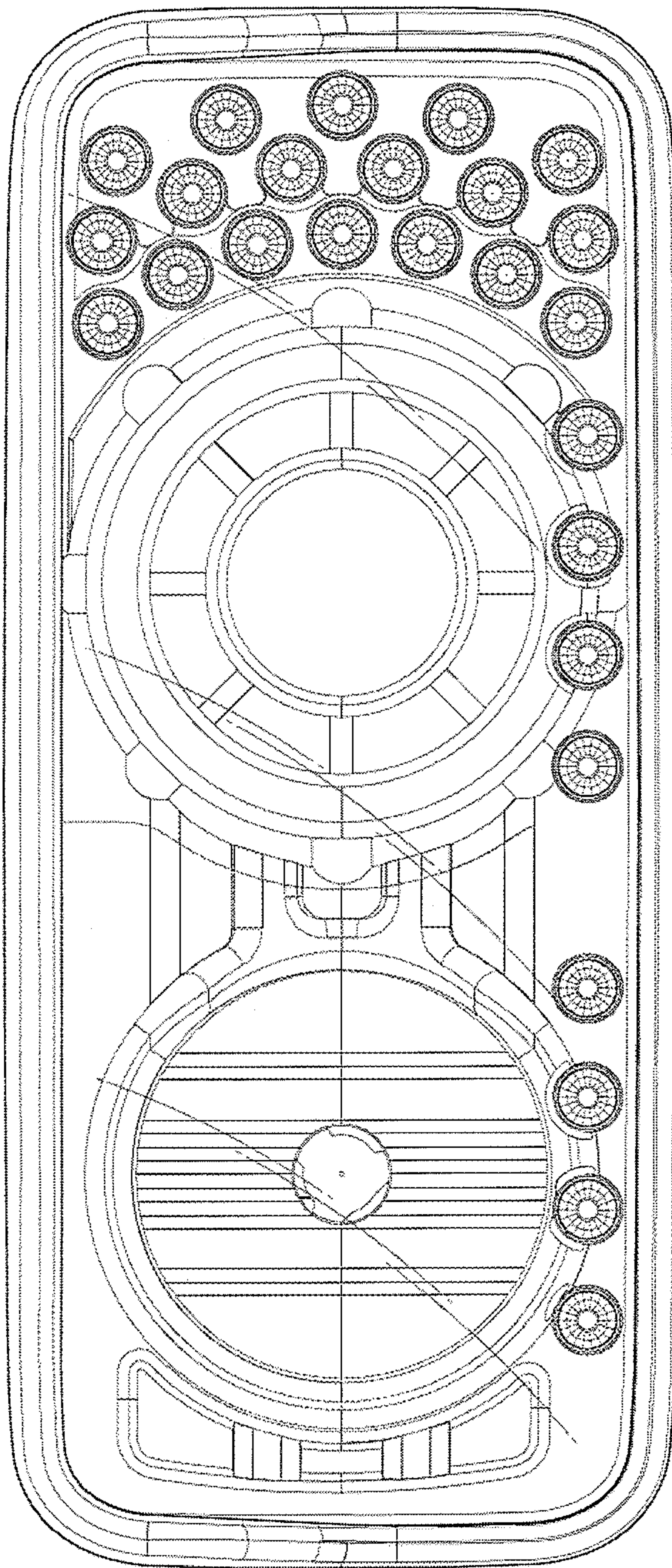


FIG.2

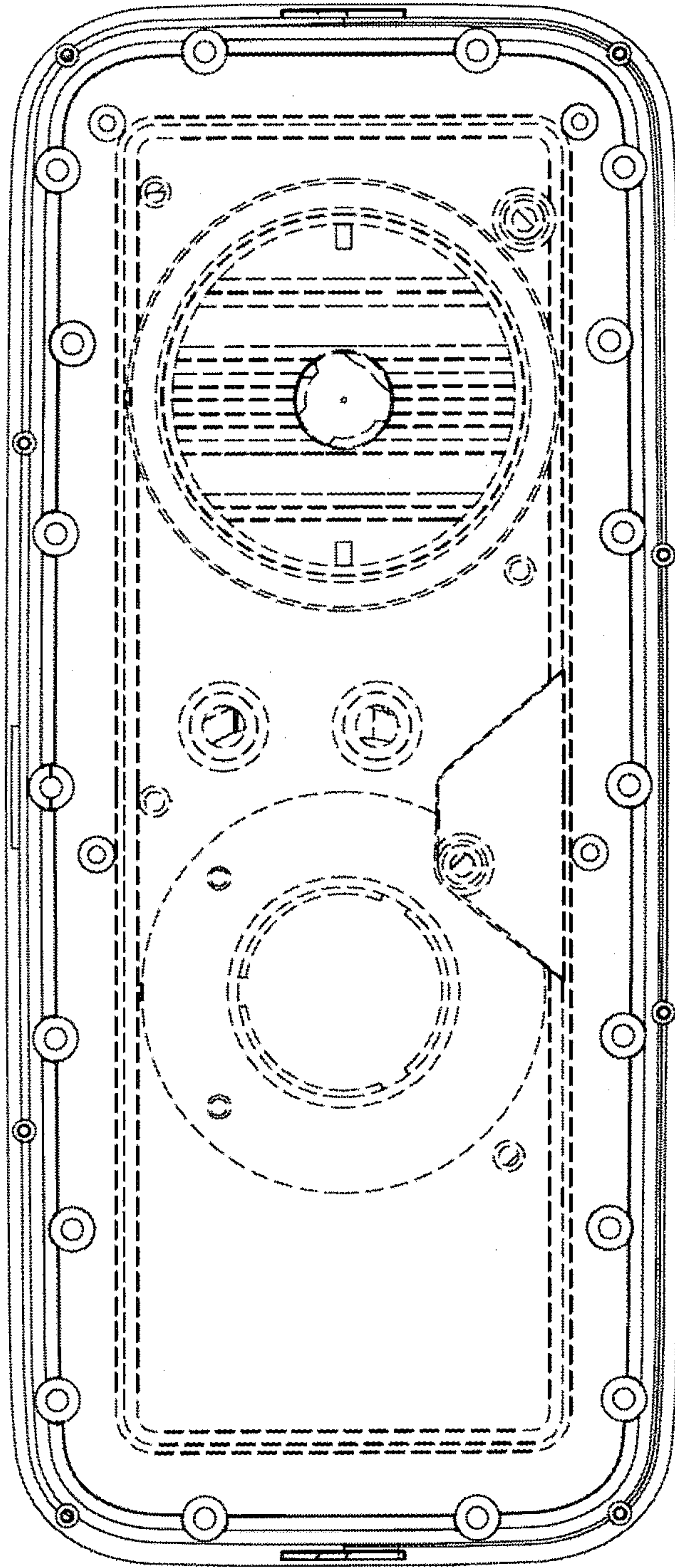


FIG.3

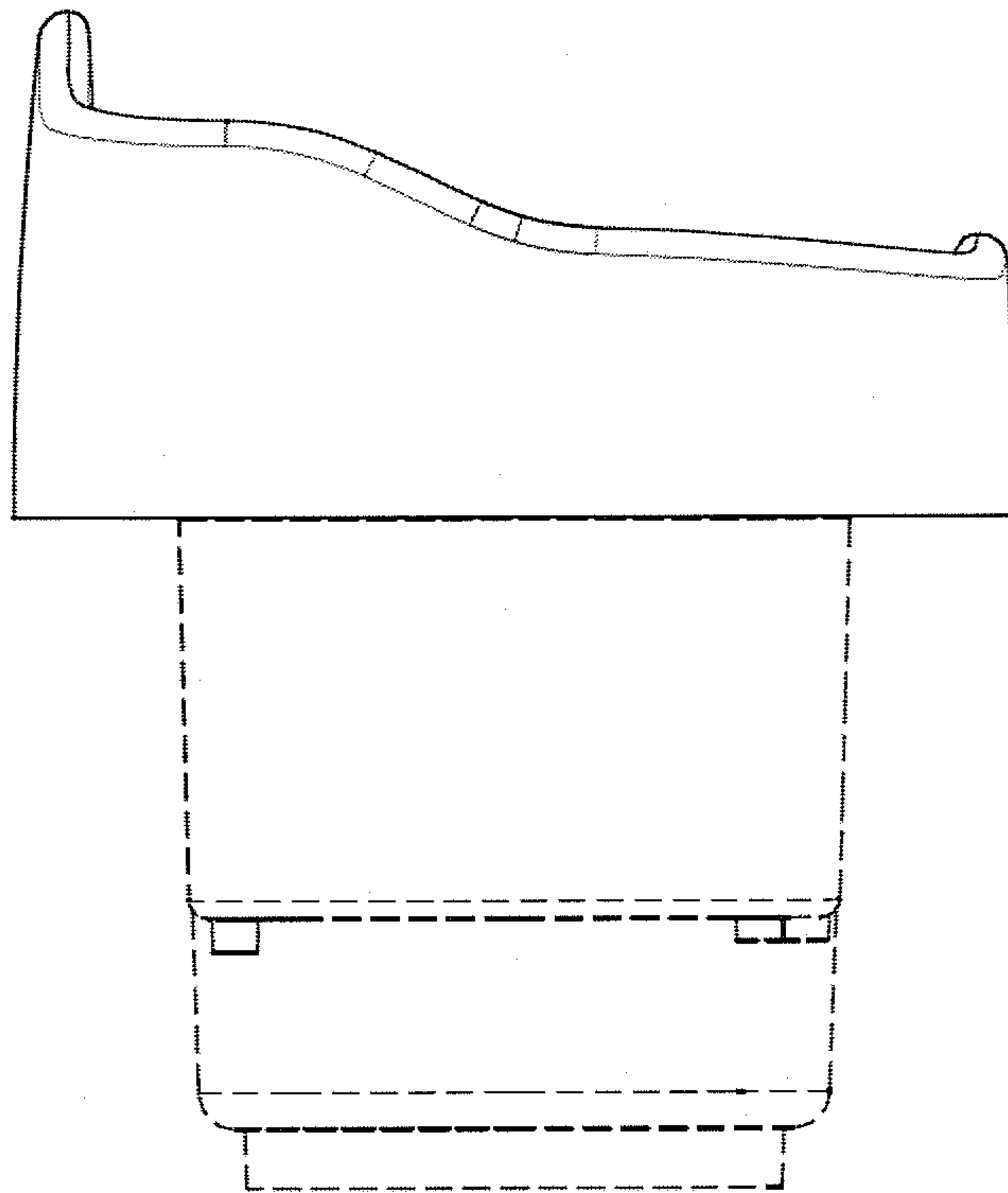


FIG.4

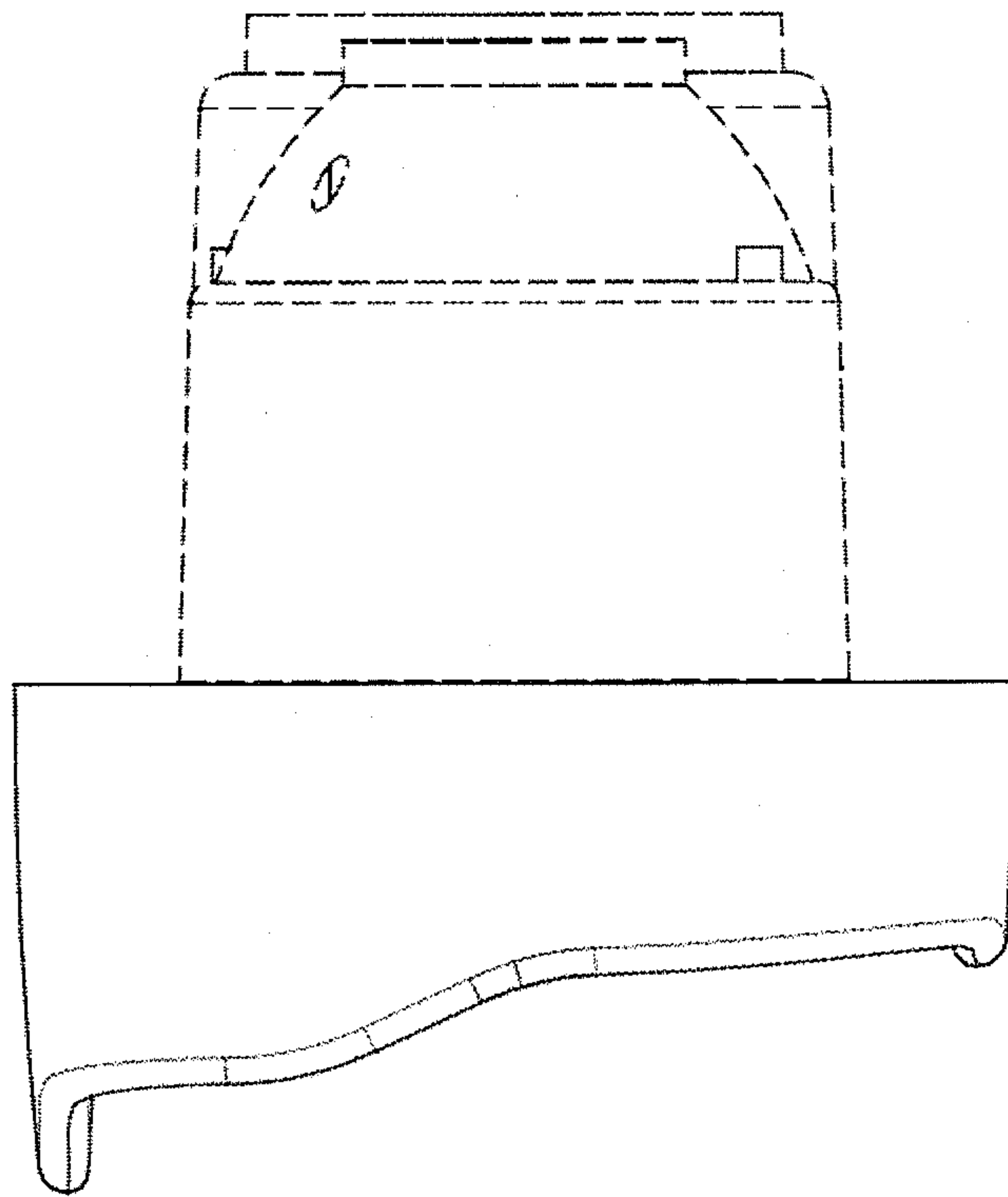


FIG. 5

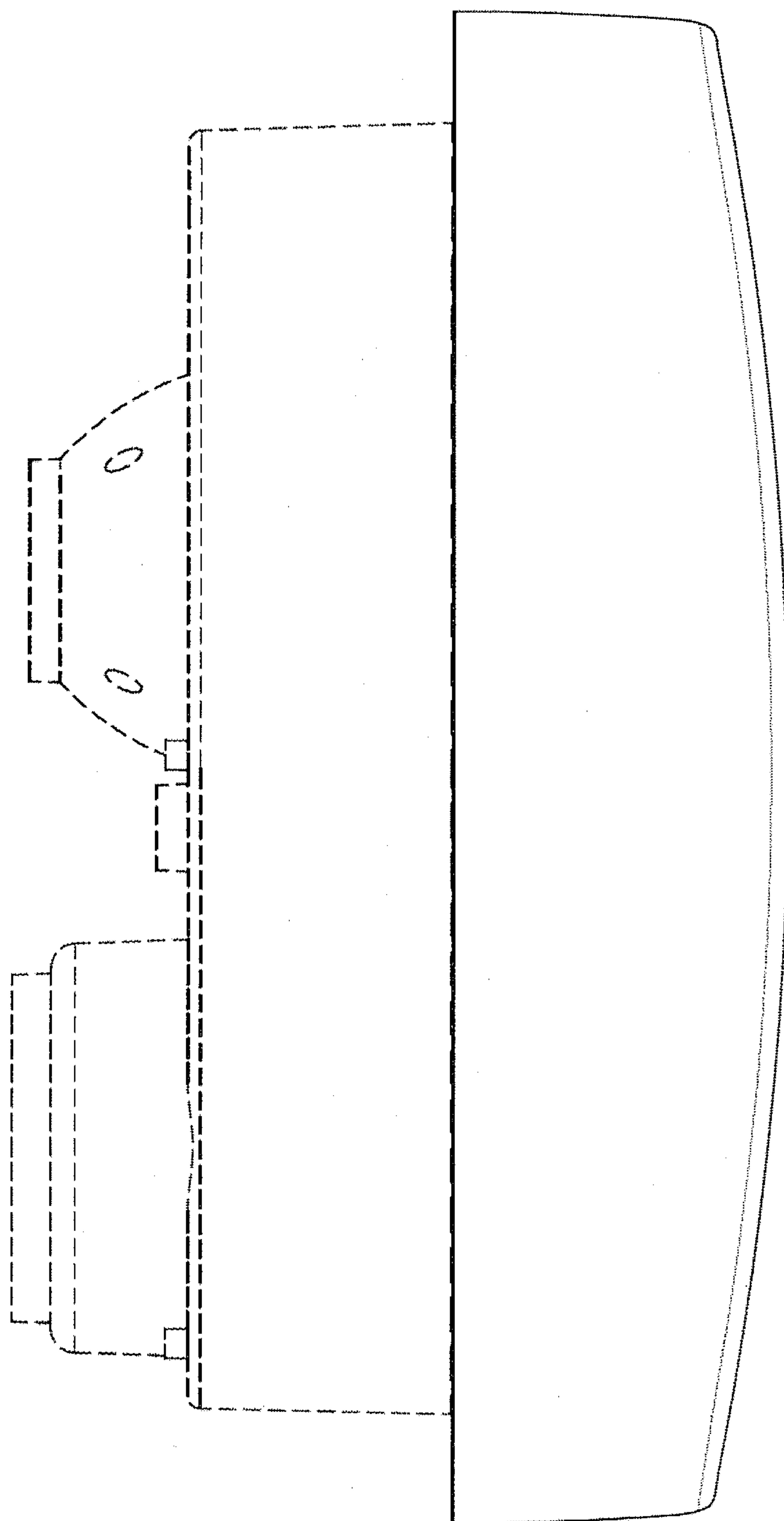


FIG.6

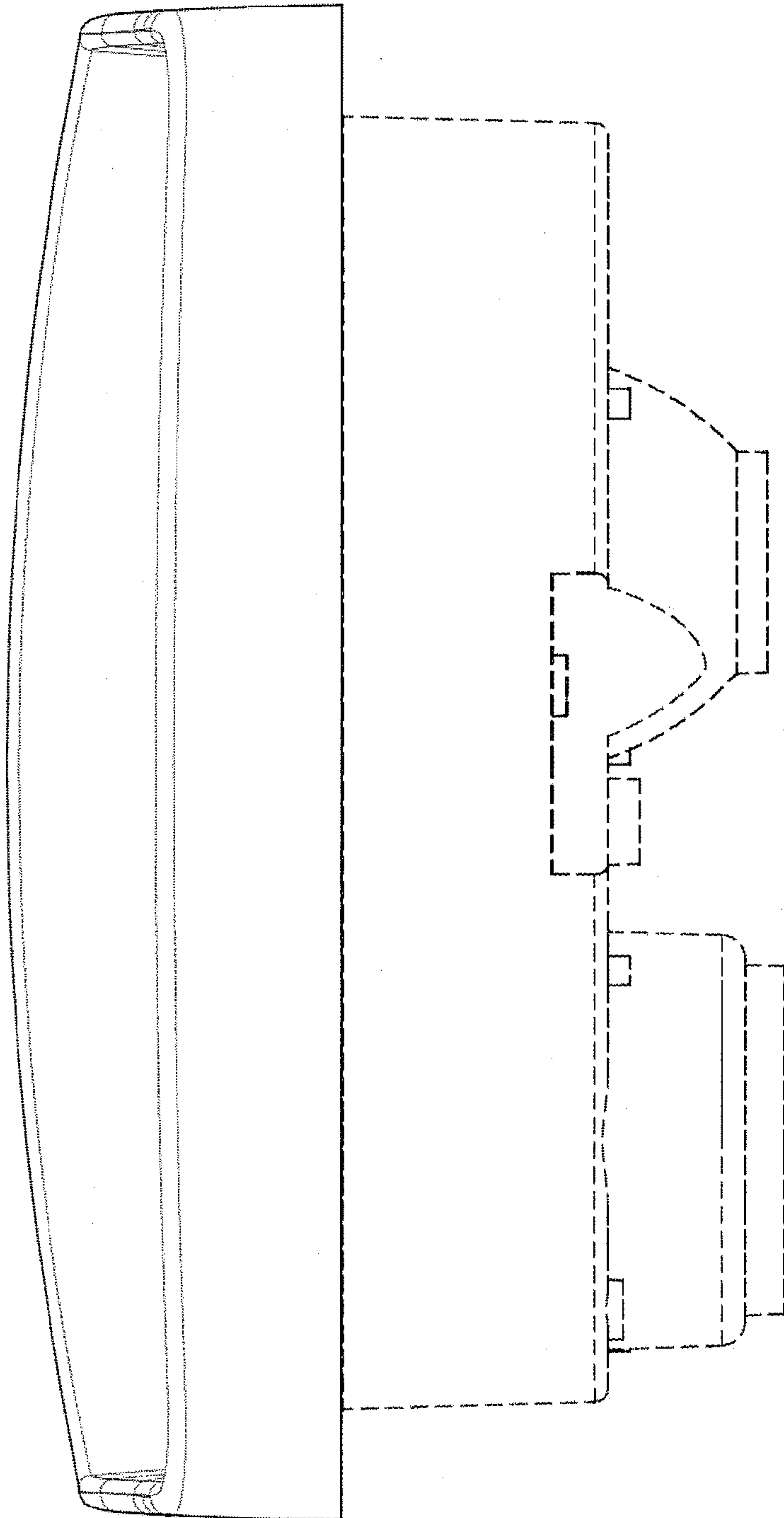


FIG.7