



US00D743070S

(12) **United States Design Patent**  
**Lai**

(10) **Patent No.:** **US D743,070 S**

(45) **Date of Patent:** **\*\* Nov. 10, 2015**

(54) **EXTERIOR SURFACE CONFIGURATION OF  
A VEHICLE HEADLIGHT**

(56) **References Cited**

(71) Applicant: **Litek Enterprise Co., Ltd.**, Tainan  
(TW)

(72) Inventor: **Ching-Tsung Lai**, Tainan (TW)

(73) Assignee: **Litek Enterprise Co., Ltd.**, Tainan  
(TW)

(\*\*) Term: **14 Years**

(21) Appl. No.: **29/502,650**

(22) Filed: **Sep. 18, 2014**

U.S. PATENT DOCUMENTS

D538,956 S	*	3/2007	Ishii .....	D26/28
D544,614 S	*	6/2007	Markefka .....	D26/28
D556,349 S	*	11/2007	Golden .....	D26/28
D561,358 S	*	2/2008	Tachibana .....	D26/28
D570,007 S	*	5/2008	Hsu .....	D26/28
D582,587 S	*	12/2008	Yang .....	D26/28
D593,232 S	*	5/2009	Koman .....	D26/28

\* cited by examiner

*Primary Examiner* — Marcus Jackson

(74) *Attorney, Agent, or Firm* — Muncy, Geissler, Olds & Lowe, P.C.

**Related U.S. Application Data**

(63) Continuation-in-part of application No. 29/467,930,  
filed on Sep. 25, 2013, now Pat. No. Des. 718,479.

(51) **LOC (10) Cl.** ..... **26-06**

(52) **U.S. Cl.**  
USPC ..... **D26/28**

(58) **Field of Classification Search**  
USPC ..... D26/28-36; 362/459-468, 475-478,  
362/485-487  
CPC ..... F21S 48/00; F21S 48/10; F21S 48/115;  
F21S 48/225; F21S 48/1233; F21S 48/1266;  
F21S 48/1388; F21S 48/2268; F21V 21/04  
See application file for complete search history.

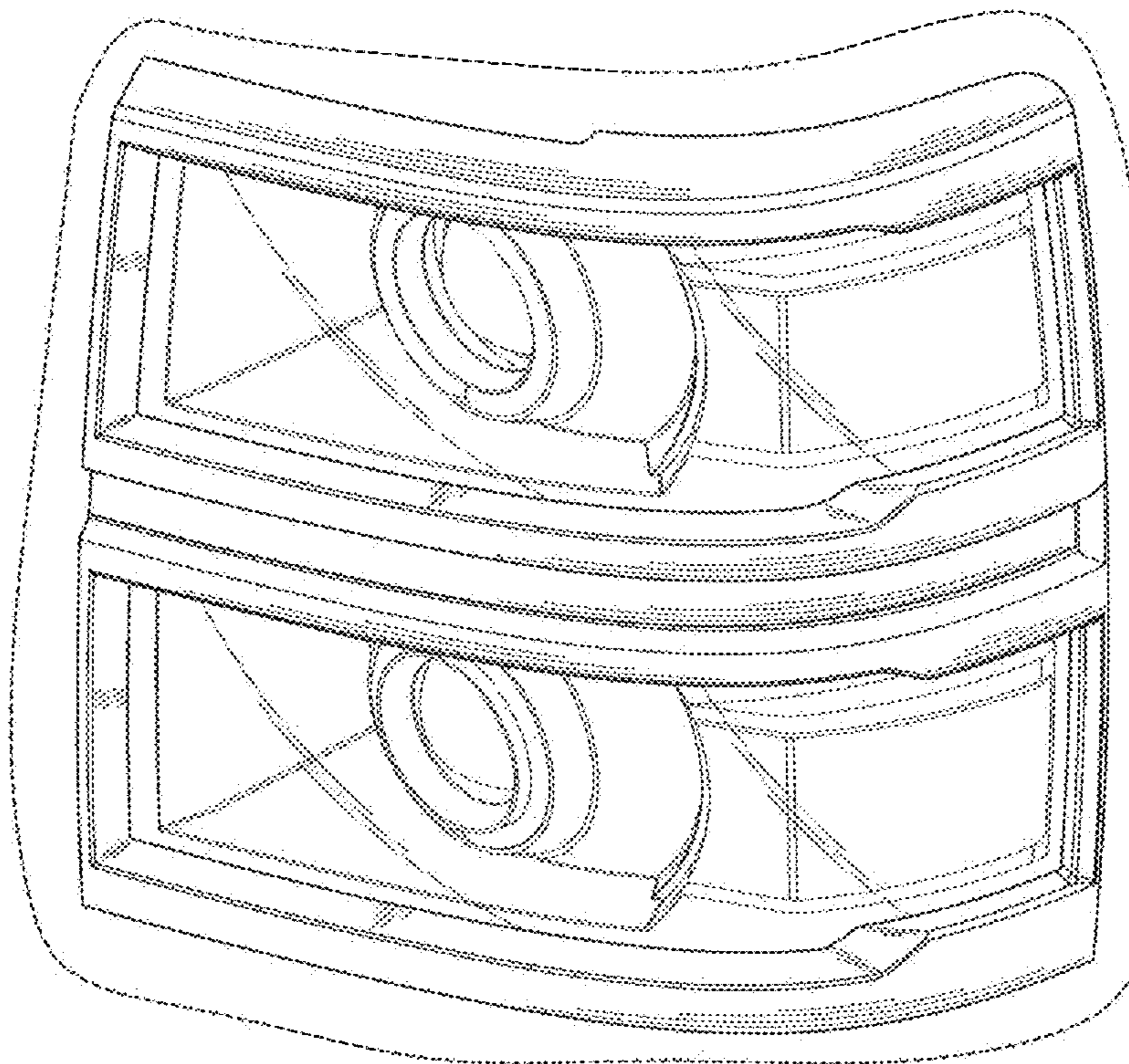
(57) **CLAIM**

I claim, the ornamental design for an exterior surface configuration of a vehicle headlight, as shown and described.

**DESCRIPTION**

FIG. 1 is a perspective view of an exterior surface configuration of a vehicle headlight showing my present design; FIG. 2 is a front view thereof; FIG. 3 is a right view thereof; and, FIG. 4 is a top plan view thereof. The broken lines shown in FIGS. 1-4 are for illustrative purposes only and form no part of the claimed design.

**1 Claim, 4 Drawing Sheets**



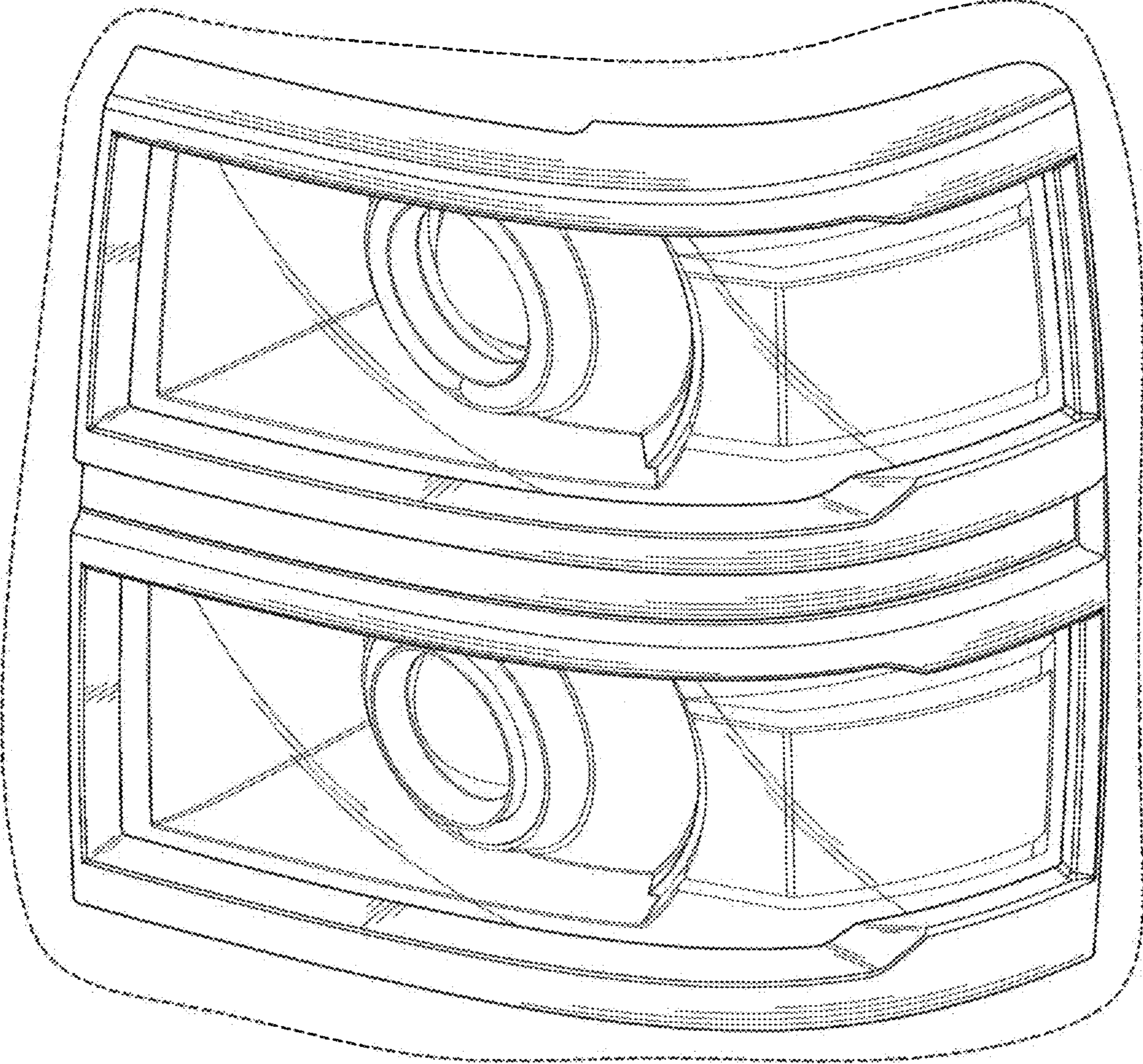


FIG . 1

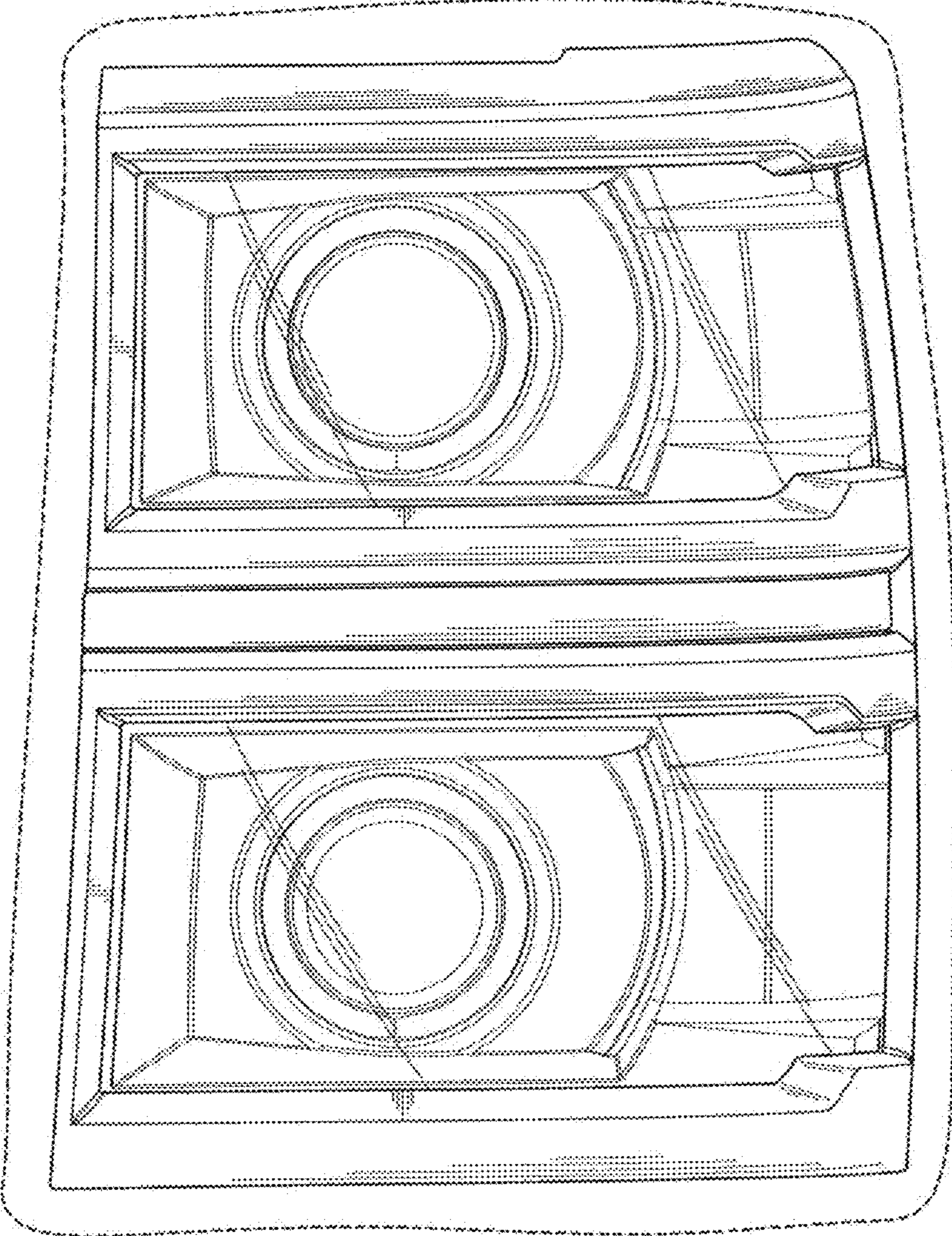


FIG. 2



FIG. 3

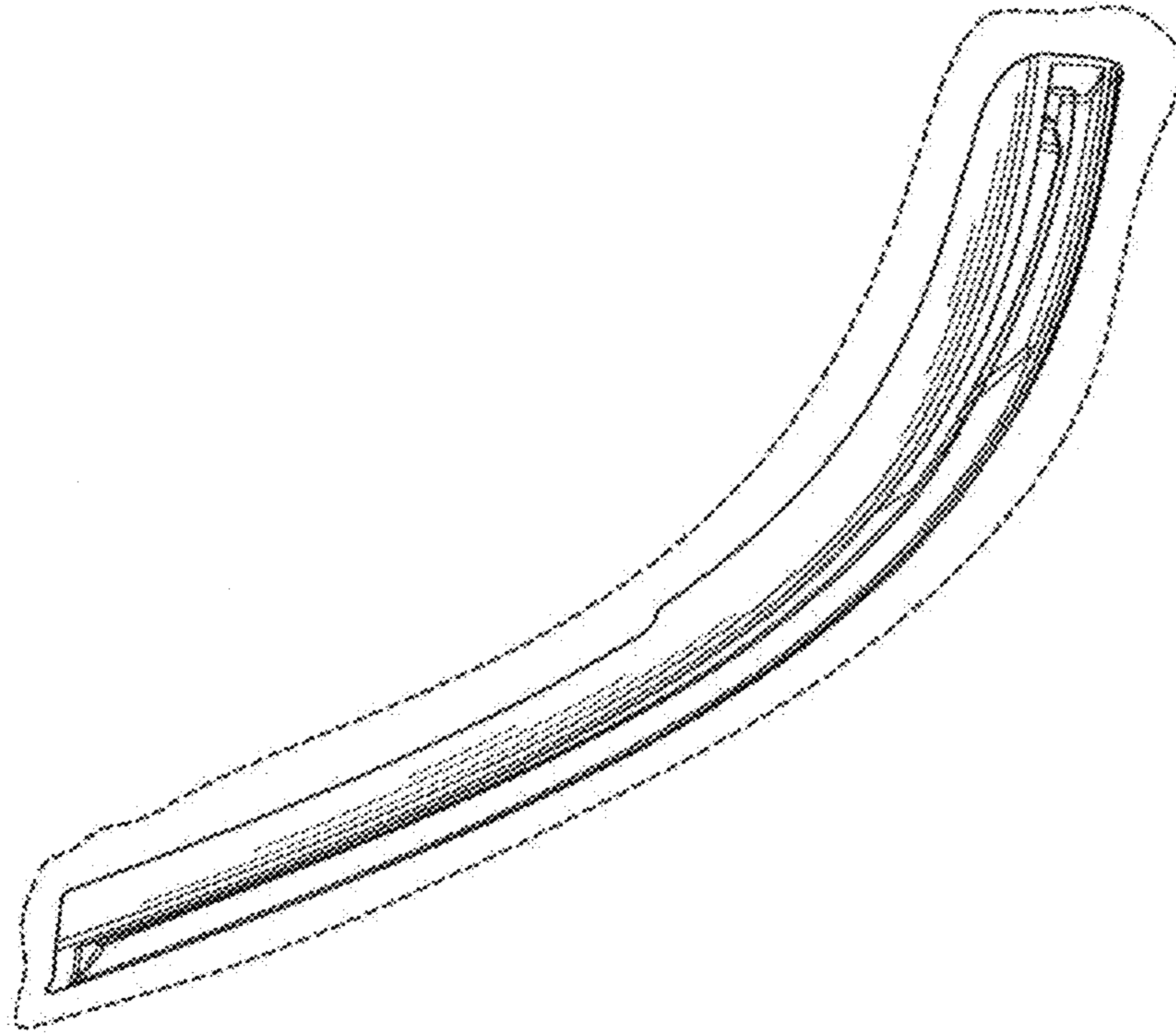


FIG . 4