



US00D743068S

(12) **United States Design Patent**
Gong et al.

(10) **Patent No.:** **US D743,068 S**

(45) **Date of Patent:** **** Nov. 10, 2015**

(54) **TAILLIGHT**

(71) Applicant: **SHENZHEN ZHILUN DRIVING TECHNOLOGY FOR ELECTRIC VEHICLE CO., LTD**, Shenzhen (CN)

(72) Inventors: **Shugang Gong**, Shenzhen (CN); **Bo Fu**, Shenzhen (CN); **Qingliang Chen**, Shenzhen (CN); **Lijun Yang**, Shenzhen (CN); **Shanjing Zhu**, Shenzhen (CN)

(73) Assignee: **SHENZHEN ZHILUN DRIVING TECHNOLOGY FOR ELECTRIC VEHICLE CO., LTD**, Shenzhen (CN)

(**) Term: **14 Years**

(21) Appl. No.: **29/493,754**

(22) Filed: **Jun. 12, 2014**

(30) **Foreign Application Priority Data**

Dec. 13, 2013 (CN) 2013 3 0621867

(51) **LOC (10) Cl.** **26-06**

(52) **U.S. Cl.**
USPC **D26/28**

(58) **Field of Classification Search**
USPC D26/28-36; 362/459-468, 475-478,
362/485-487

See application file for complete search history.

(56) **References Cited**

U.S. PATENT DOCUMENTS

D498,013 S *	11/2004	Pfeiffer	D26/28
D523,976 S *	6/2006	Pfeiffer et al.	D26/28
D538,452 S *	3/2007	Pfeiffer	D26/28
D539,450 S *	3/2007	Pfeiffer	D26/28
D549,363 S *	8/2007	Pfeiffer	D26/28

* cited by examiner

Primary Examiner — Marcus Jackson

(74) *Attorney, Agent, or Firm* — Hamre, Schumann, Mueller & Larson, P.C.

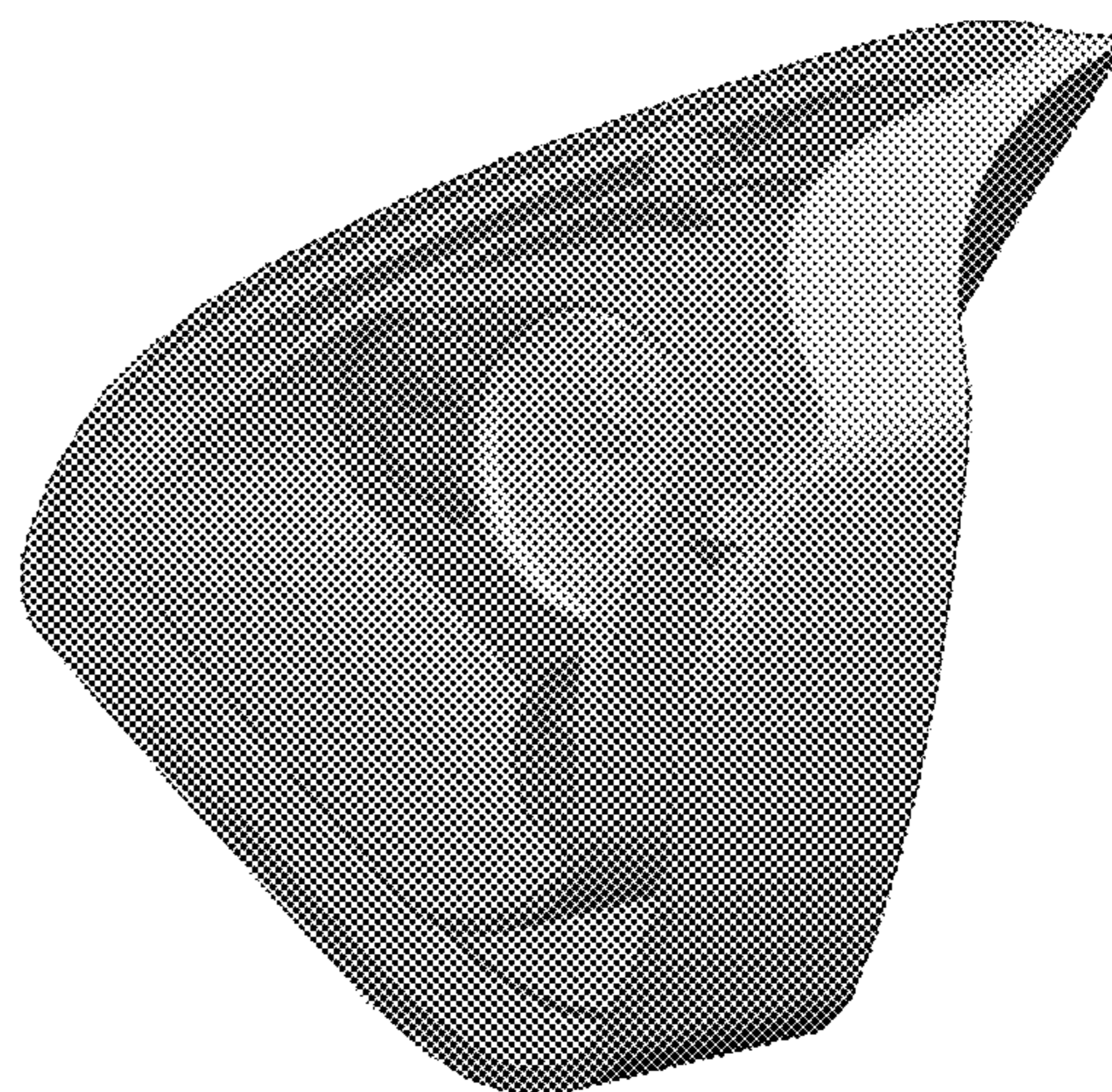
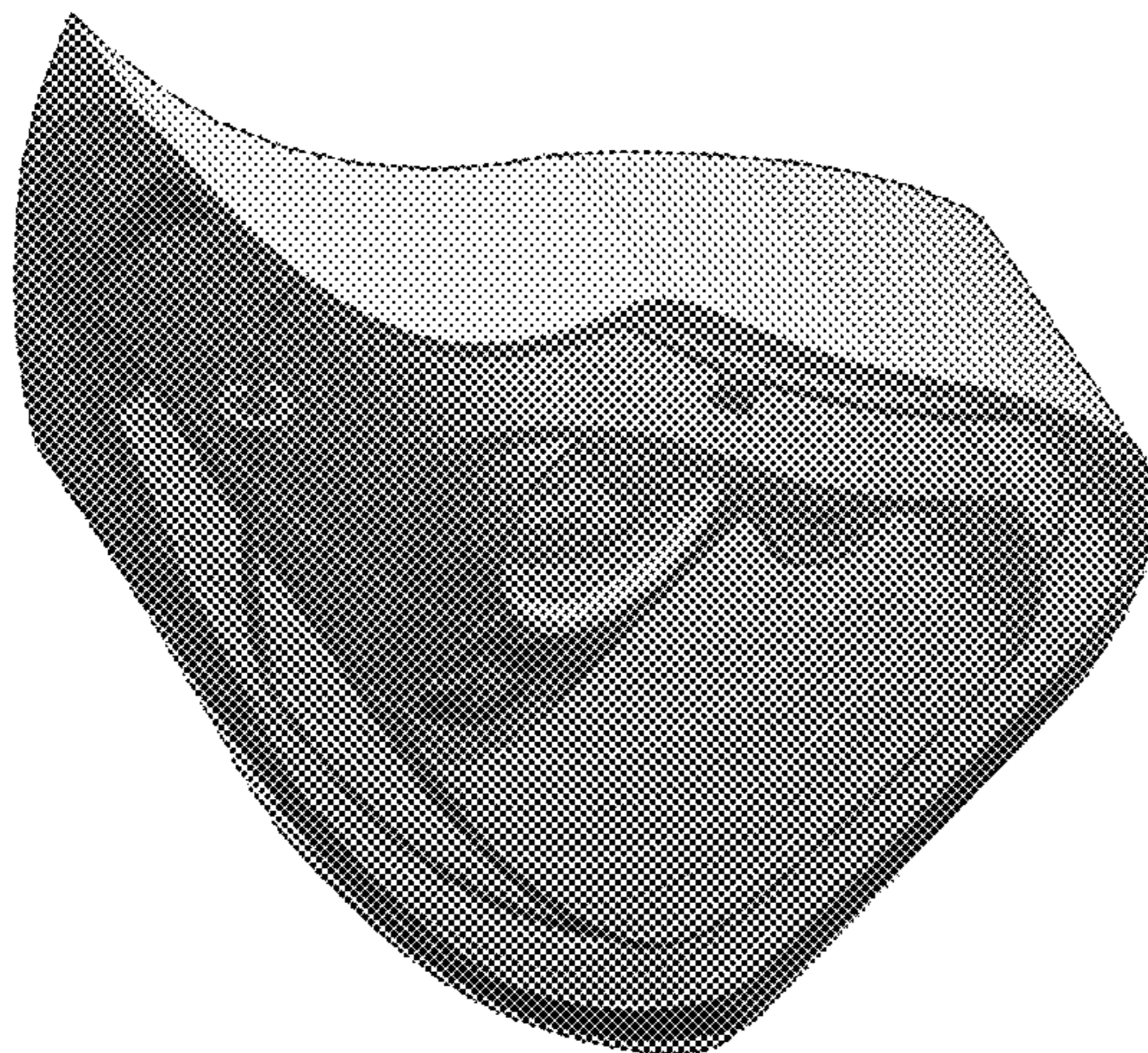
(57) **CLAIM**

The ornamental design for a “taillight,” as shown and described.

DESCRIPTION

FIG. 1 is the first perspective view of the taillight; FIG. 2 is the second perspective view of the taillight; FIG. 3 is the third perspective view of the taillight; FIG. 4 is a front view of the taillight; FIG. 5 is a back view of the taillight; FIG. 6 is a left side view of the taillight; and, FIG. 7 is a right side view of the taillight.

1 Claim, 2 Drawing Sheets



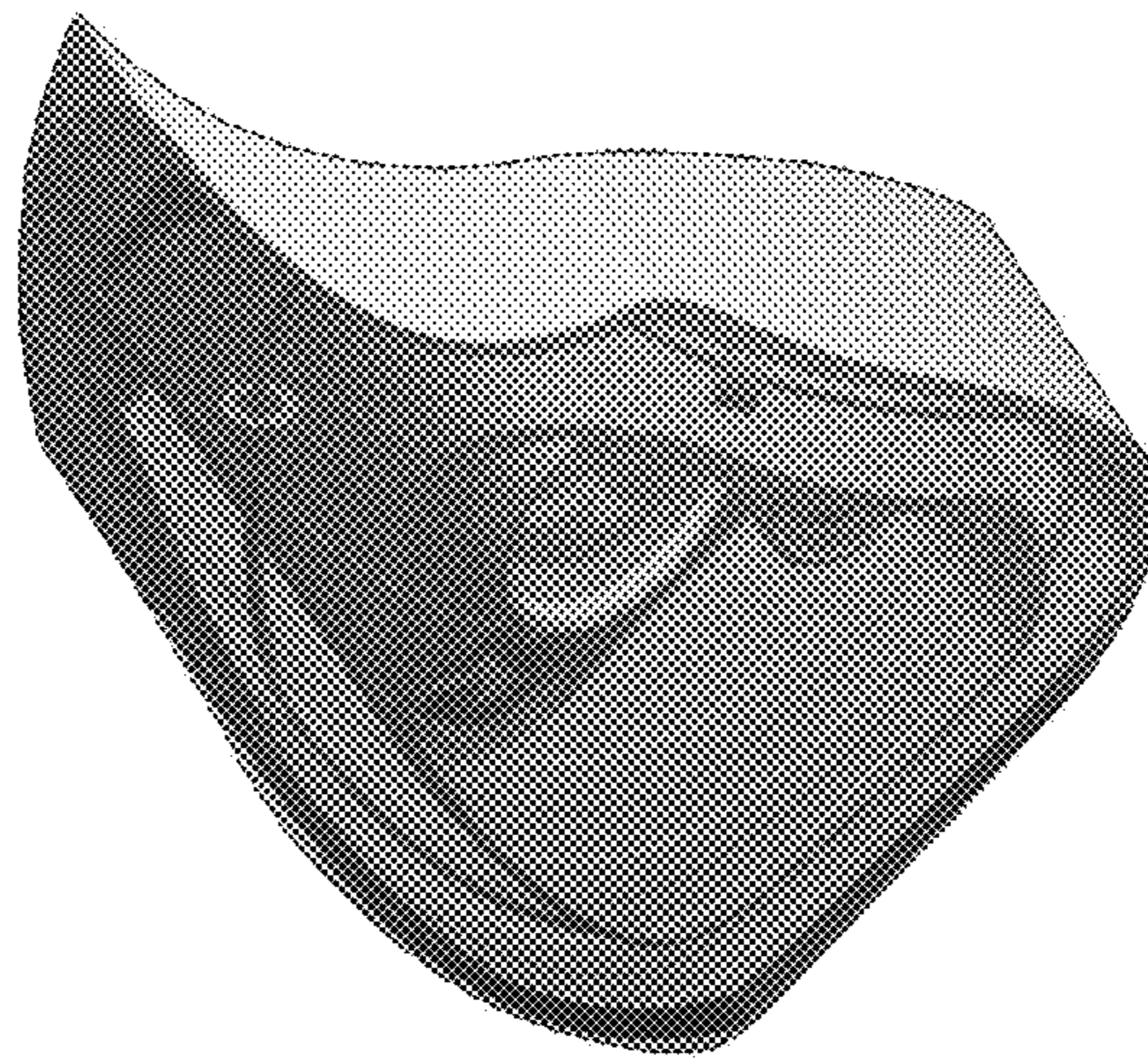


FIG. 1

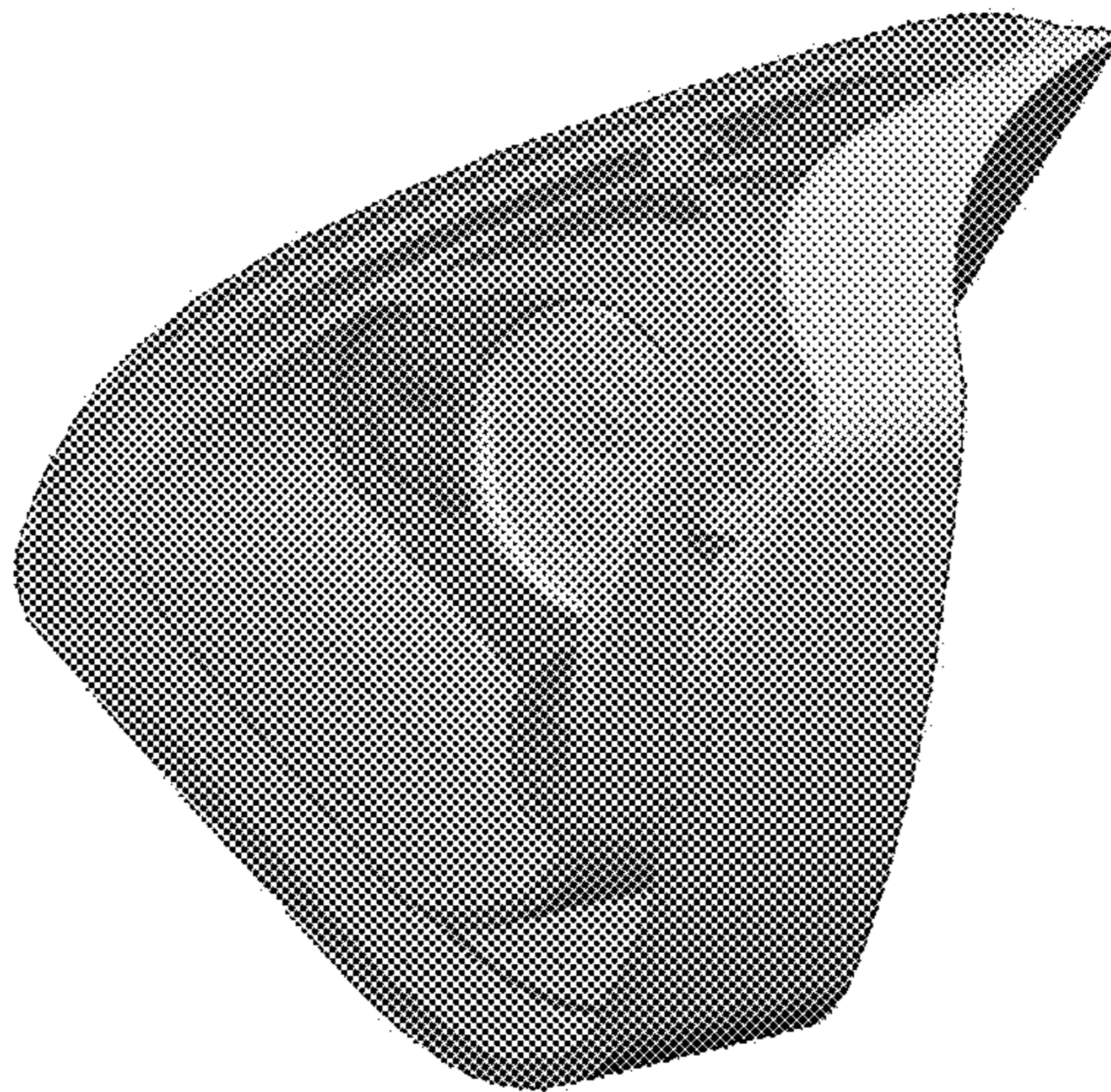


FIG. 2

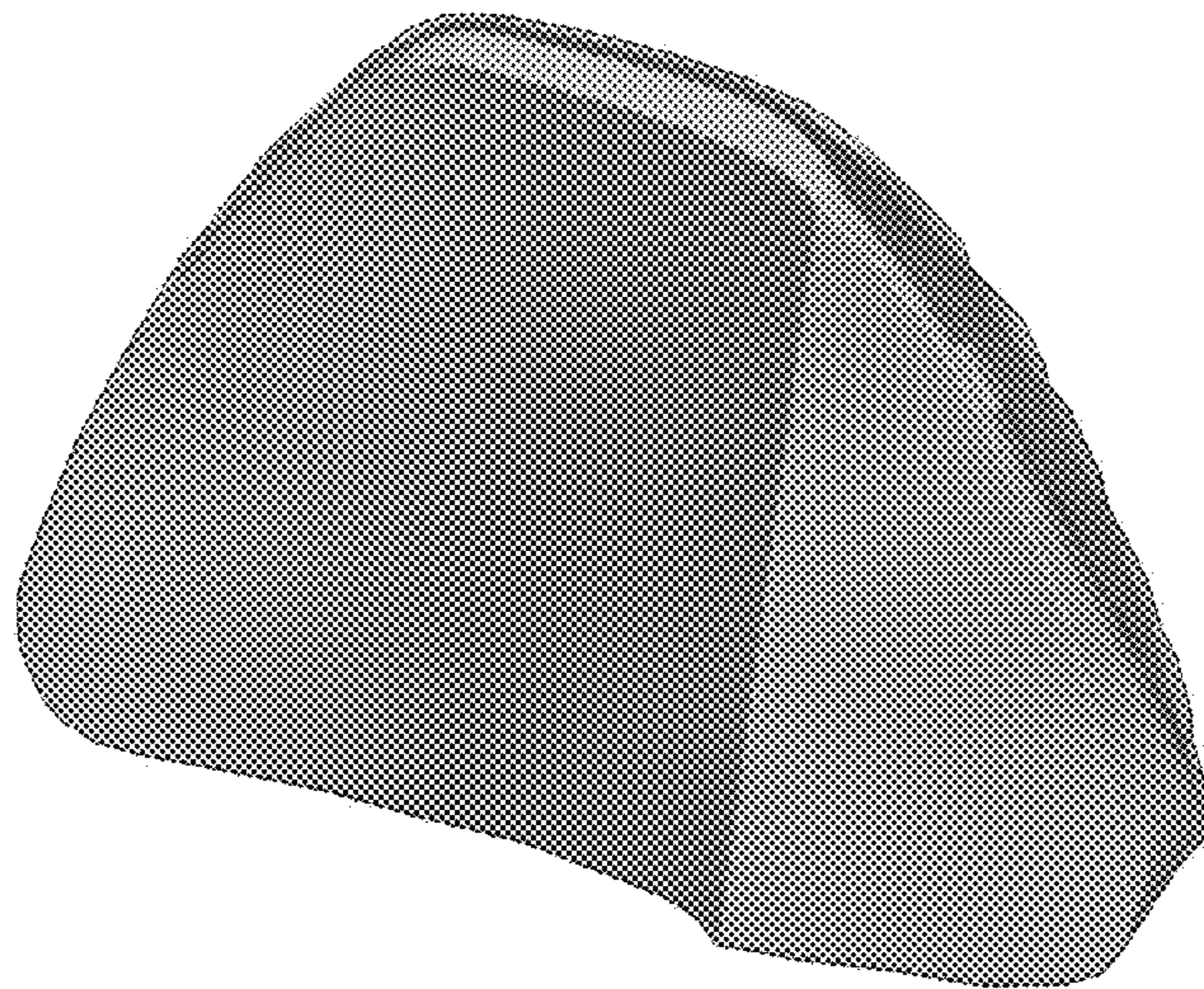


FIG. 3

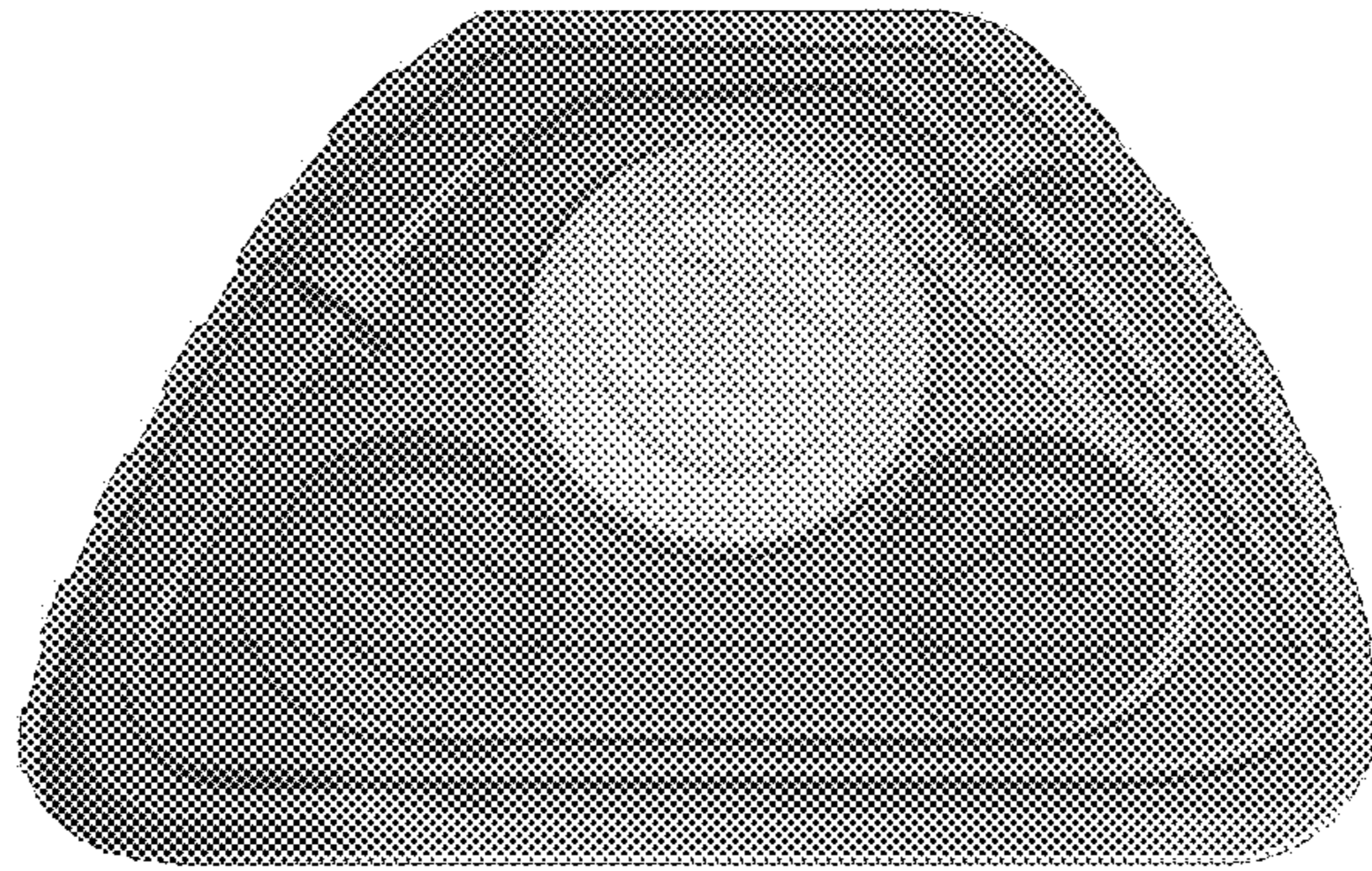


FIG. 4

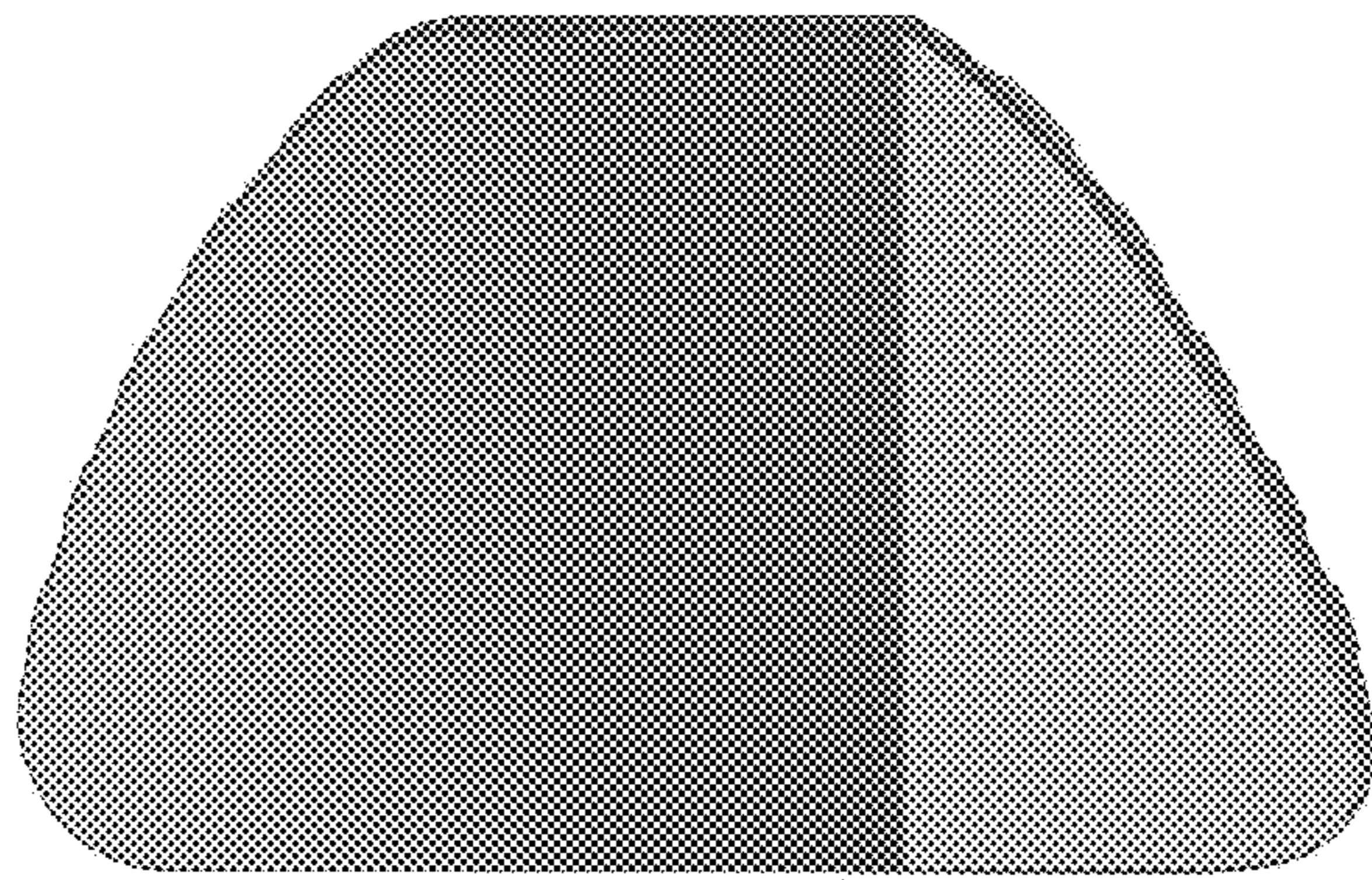


FIG. 5

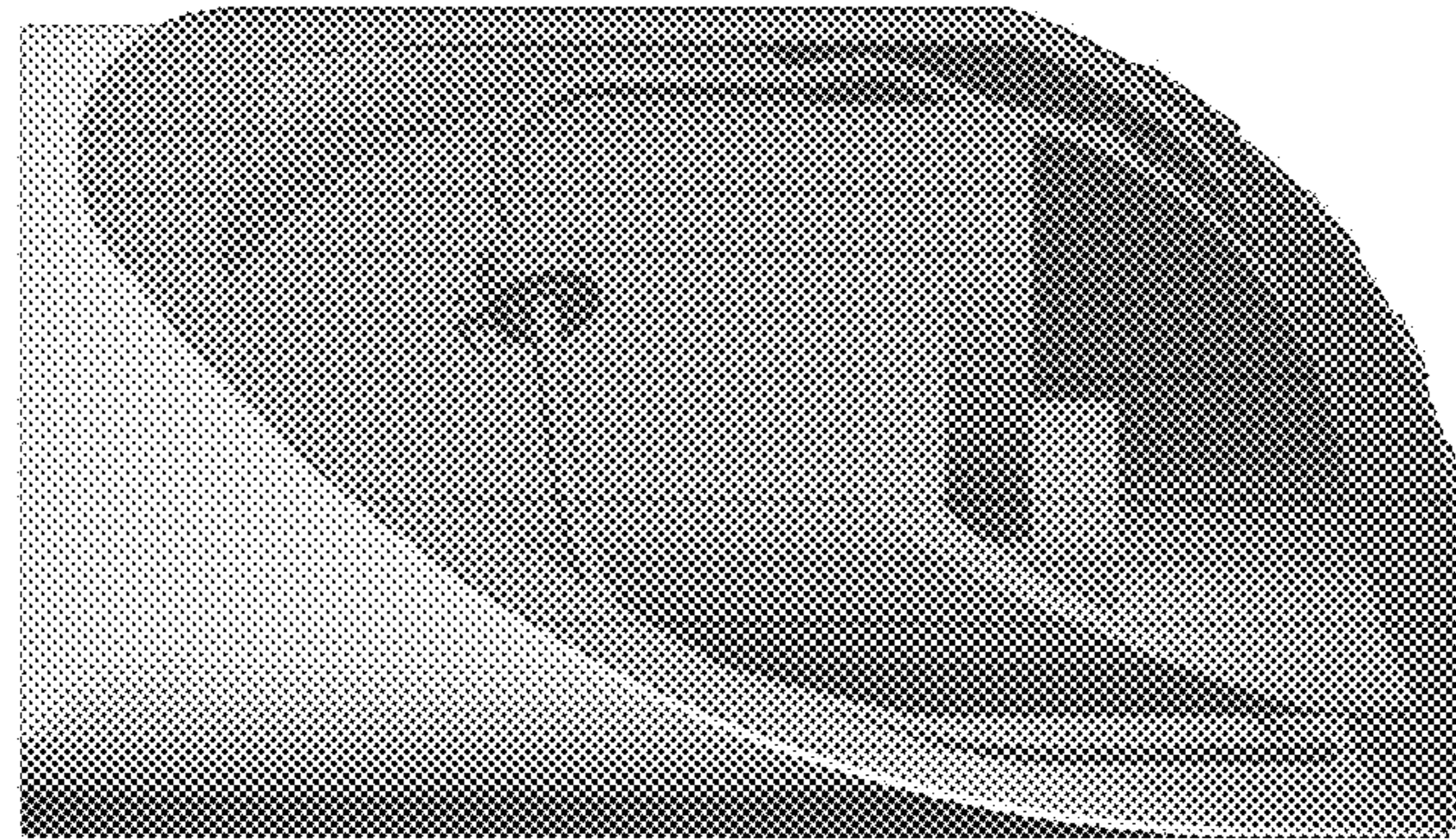


FIG. 6

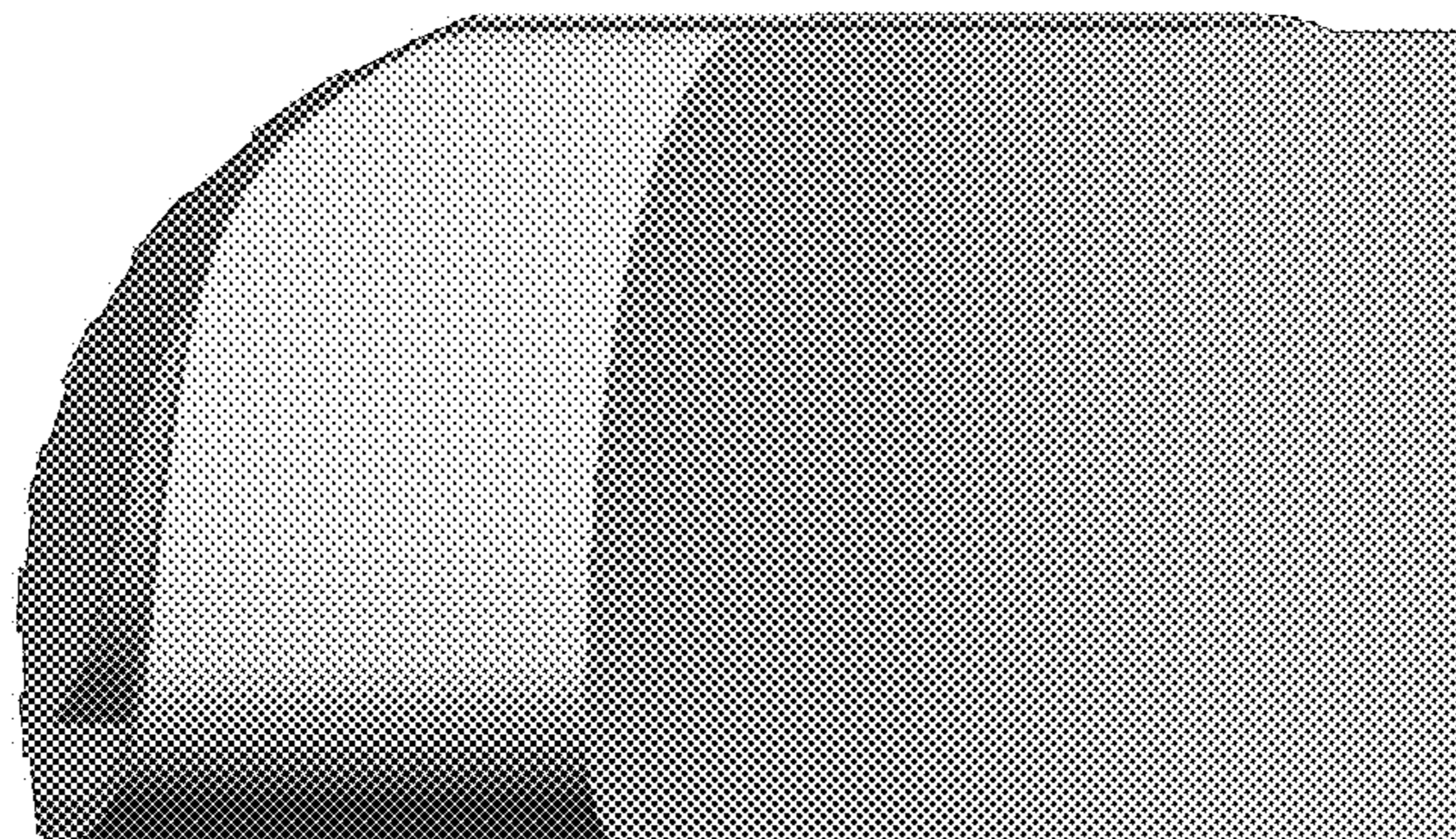


FIG. 7