



US00D743067S

(12) **United States Design Patent**  
**Kosugi**

(10) **Patent No.:** **US D743,067 S**

(45) **Date of Patent:** **\*\* Nov. 10, 2015**

(54) **LIGHT FIXTURE**

(71) Applicant: **KOITO MANUFACTURING CO., LTD.**, Tokyo (JP)

(72) Inventor: **Kazutaka Kosugi**, Shizuoka (JP)

(73) Assignee: **KOITO MANUFACTURING CO., LTD.**, Tokyo (JP)

(\*\*) Term: **14 Years**

(21) Appl. No.: **29/490,951**

(22) Filed: **May 15, 2014**

(30) **Foreign Application Priority Data**

Nov. 15, 2013 (JP) ..... 2013-26772

(51) **LOC (10) Cl.** ..... **26-06**

(52) **U.S. Cl.**  
USPC ..... **D26/28**

(58) **Field of Classification Search**

USPC ..... D26/28-36, 39, 60-66, 121, 138-140,  
D26/142; 362/84, 341, 459-468, 473,  
362/475-478, 485-487, 511, 523;  
D12/187-189; D8/349-356, 363, 373,  
D8/380, 381; D10/104.1, 111, 113.4,  
D10/114.1, 114.2, 114.3, 114.9, 115

CPC ..... F21V 15/01; F21V 15/013; F21V 7/0008;  
F21V 21/02; F21V 21/04

See application file for complete search history.

(56) **References Cited**

U.S. PATENT DOCUMENTS

D242,780	S	*	12/1976	Kelley	.....	D10/114.1
D279,165	S	*	6/1985	Smith	.....	D8/354
D539,117	S	*	3/2007	Sealey et al.	.....	D8/349
D563,205	S	*	3/2008	Kuzukawa	.....	D8/354
D594,735	S	*	6/2009	Hofer	.....	D8/349
D621,081	S	*	8/2010	Abernethy et al.	.....	D26/60
D658,478	S	*	5/2012	Wall	.....	D8/349
D669,806	S	*	10/2012	Stein	.....	D10/114.2
D678,565	S	*	3/2013	Janssen	.....	D26/28
D678,566	S	*	3/2013	Janssen	.....	D26/28
D701,466	S	*	3/2014	Clifford et al.	.....	D10/114.2
2010/0033948	A1	*	2/2010	Harbers et al.	.....	362/84
2013/0308294	A1	*	11/2013	Nezu et al.	.....	362/84
2014/0062713	A1	*	3/2014	Skertich et al.	.....	340/815.45
2015/0036318	A1	*	2/2015	Kachala	.....	362/84

\* cited by examiner

*Primary Examiner* — Cynthia Ramirez

*Assistant Examiner* — Llorellys Martinez-Rivera

(74) *Attorney, Agent, or Firm* — Osha Liang LLP

(57) **CLAIM**

The ornamental design for a light fixture, as shown and described.

**DESCRIPTION**

FIG. 1 is a front view of a light fixture, showing my new design;

FIG. 2 is a rear view thereof;

FIG. 3 is a right side elevation view thereof;

FIG. 4 is a left side elevation view thereof;

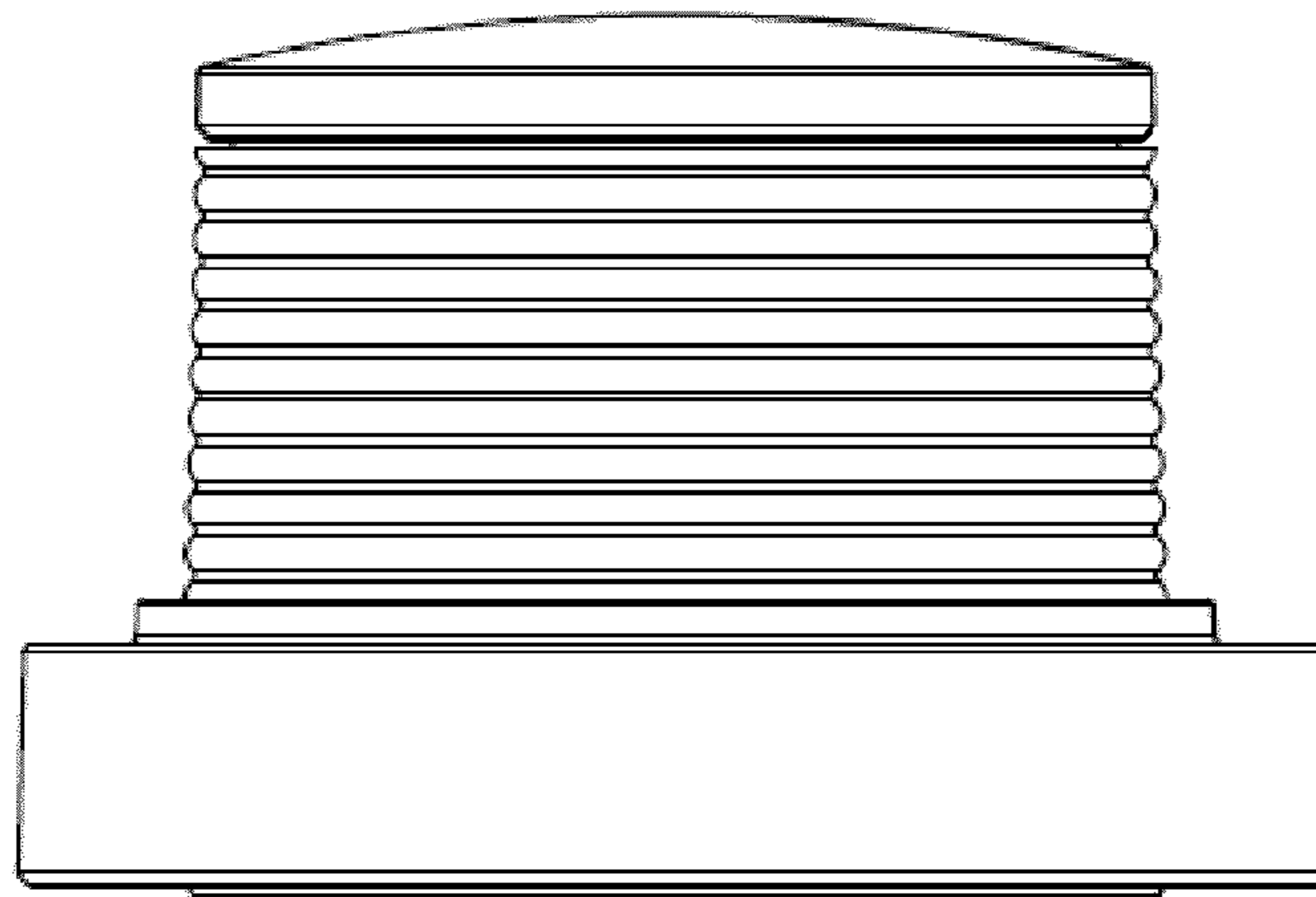
FIG. 5 is a top view thereof;

FIG. 6 is a bottom view thereof;

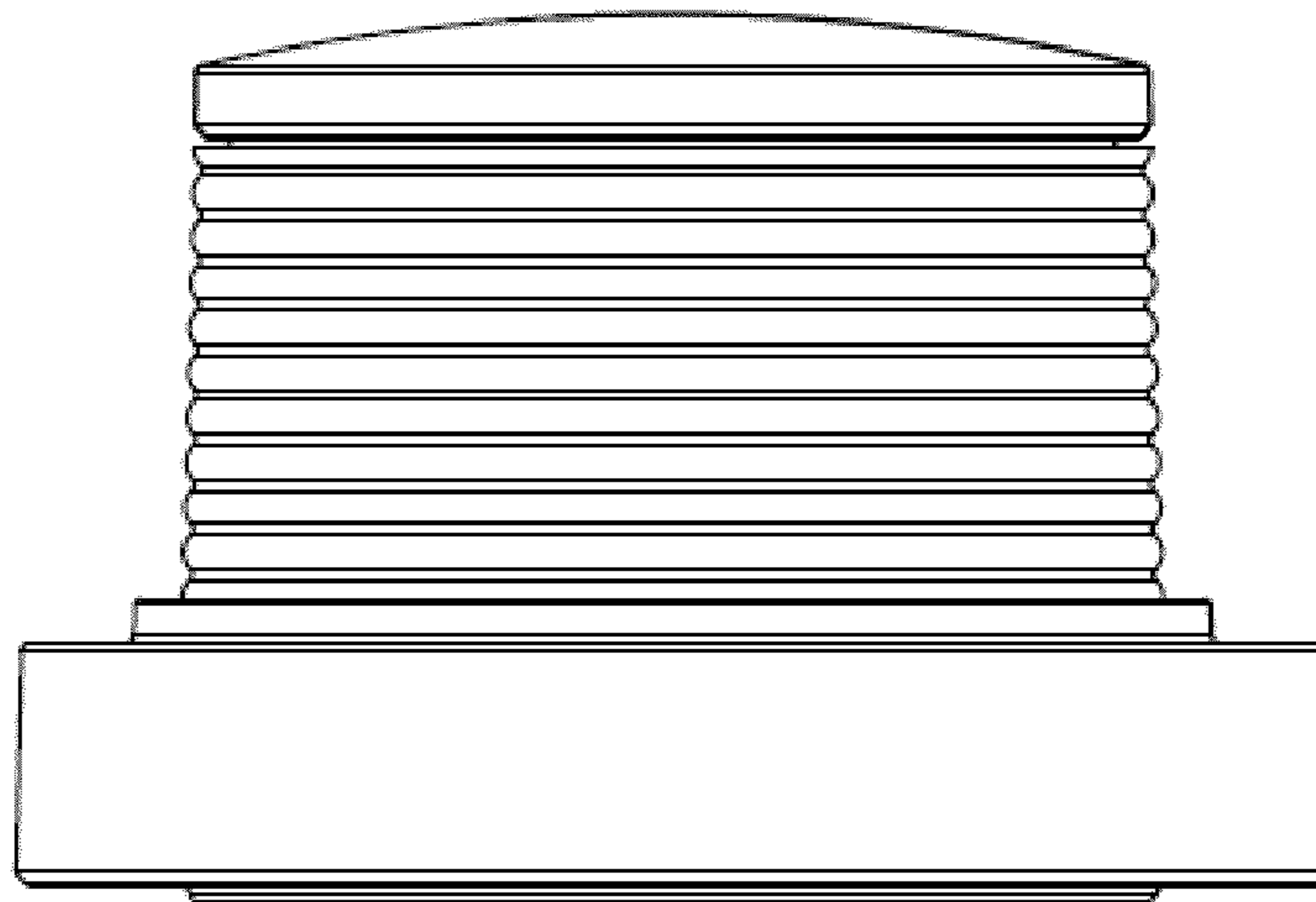
FIG. 7 is a top perspective view thereof; and,

FIG. 8 is a bottom perspective view thereof.

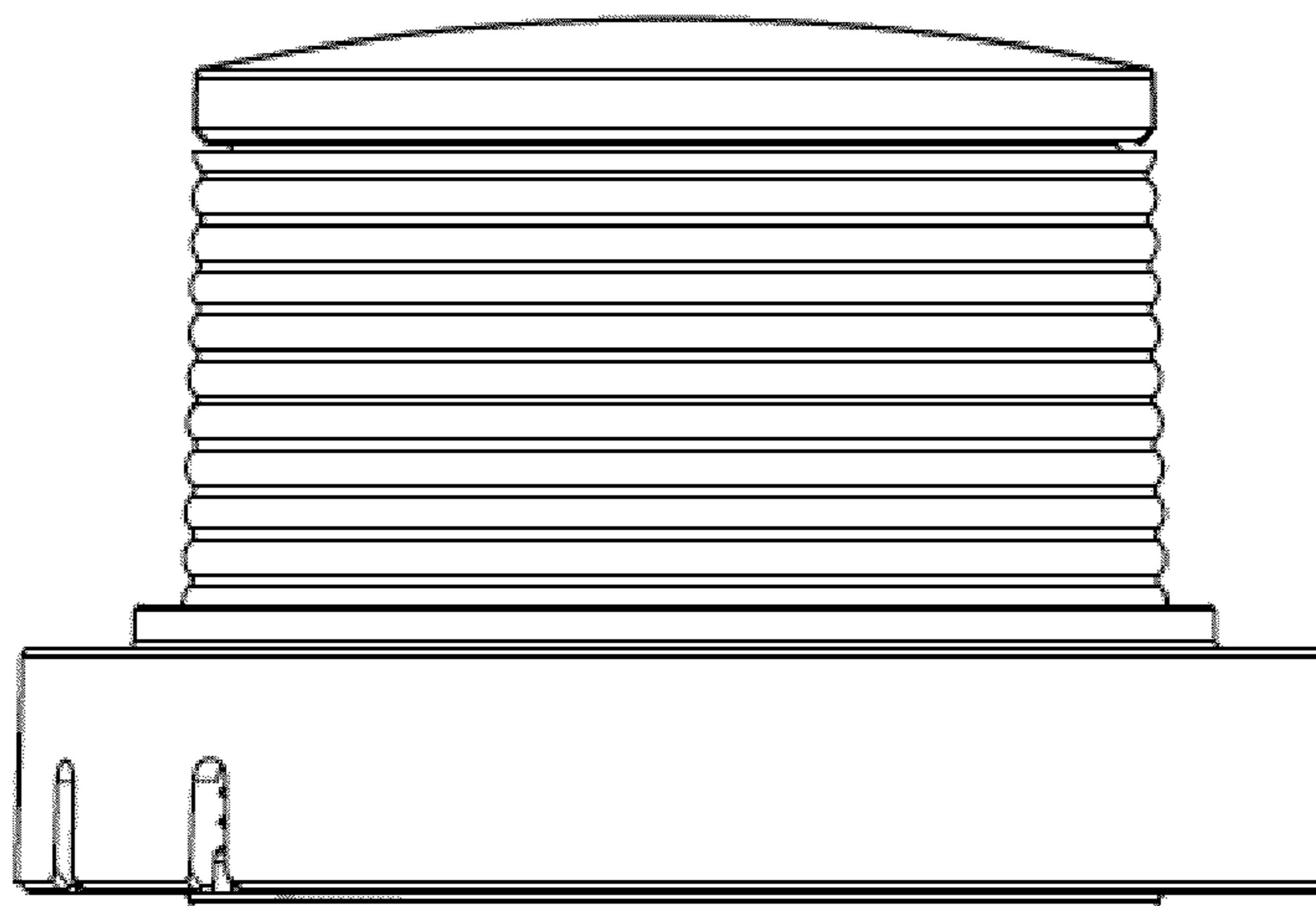
**1 Claim, 6 Drawing Sheets**



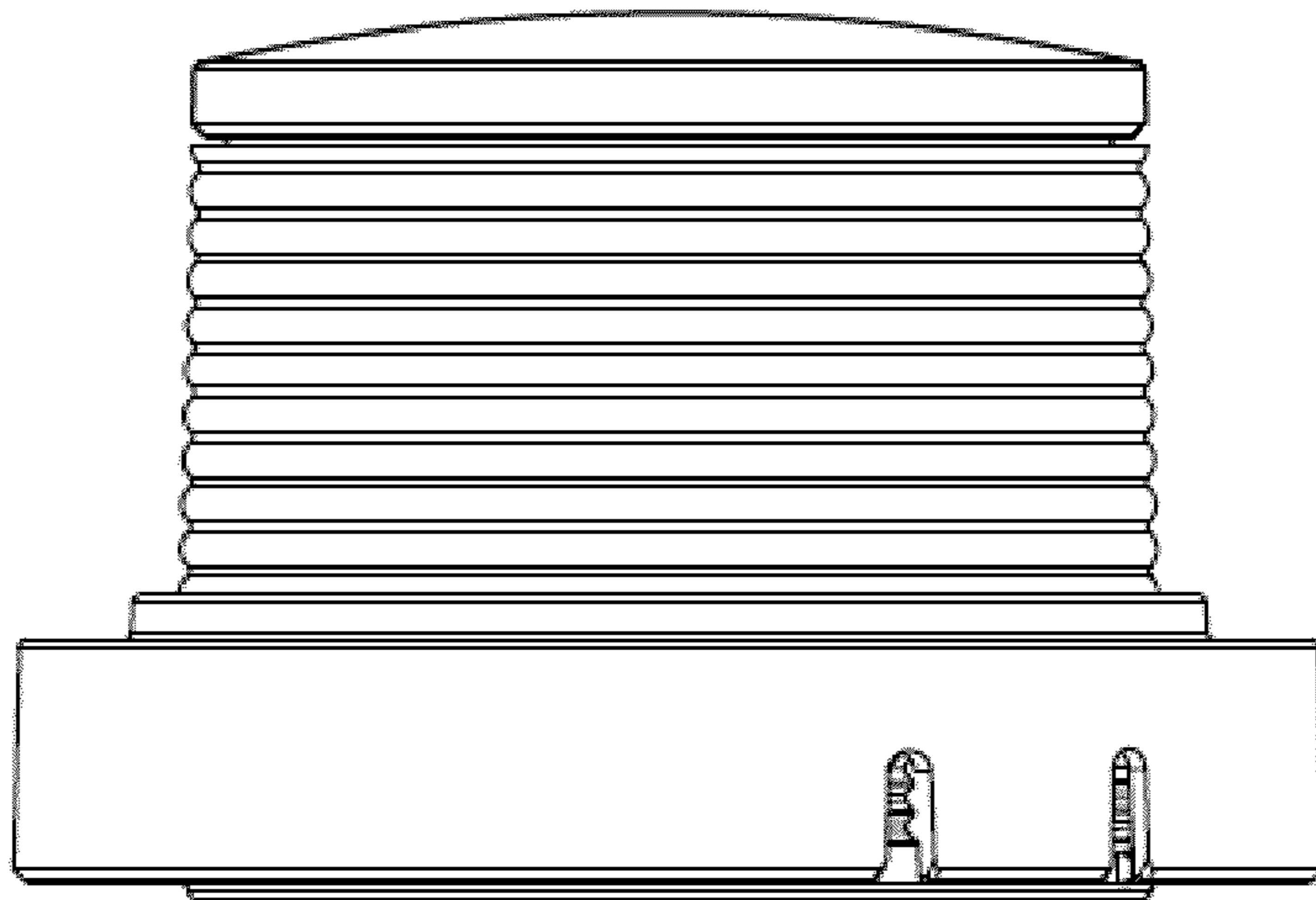
**Fig. 1**



**Fig. 2**



**Fig. 3**



**Fig. 4**

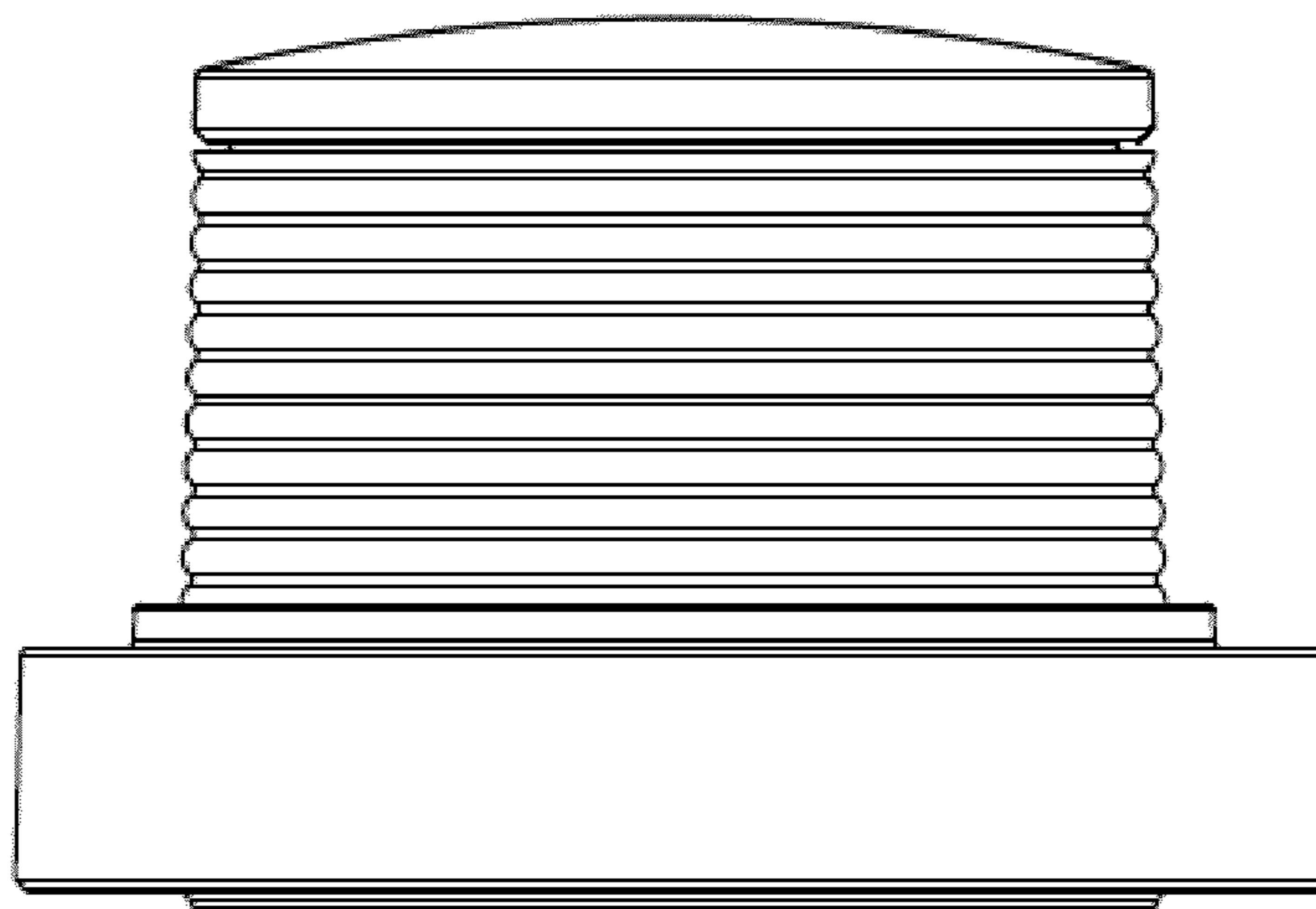


FIG. 5

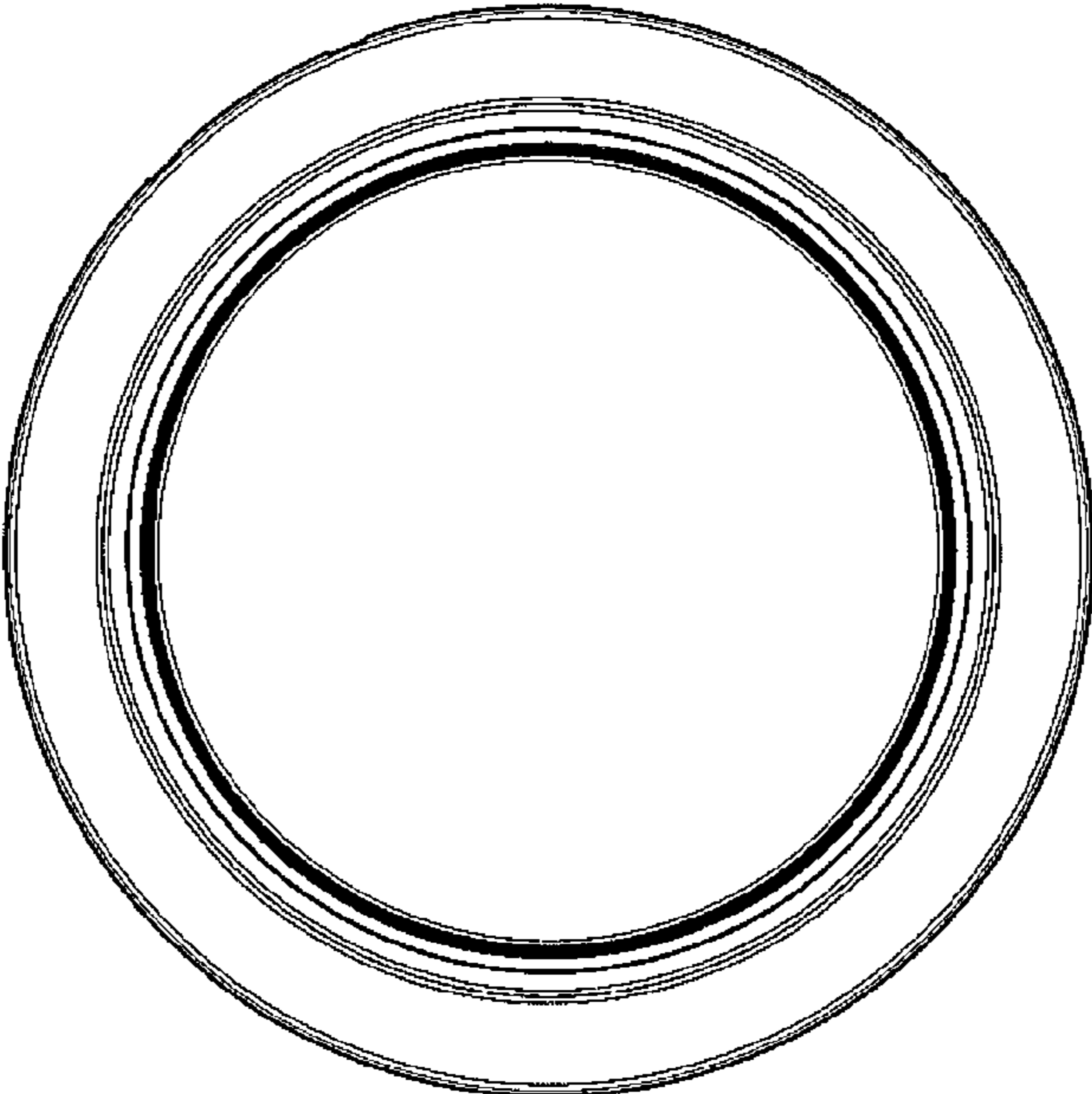


FIG. 6

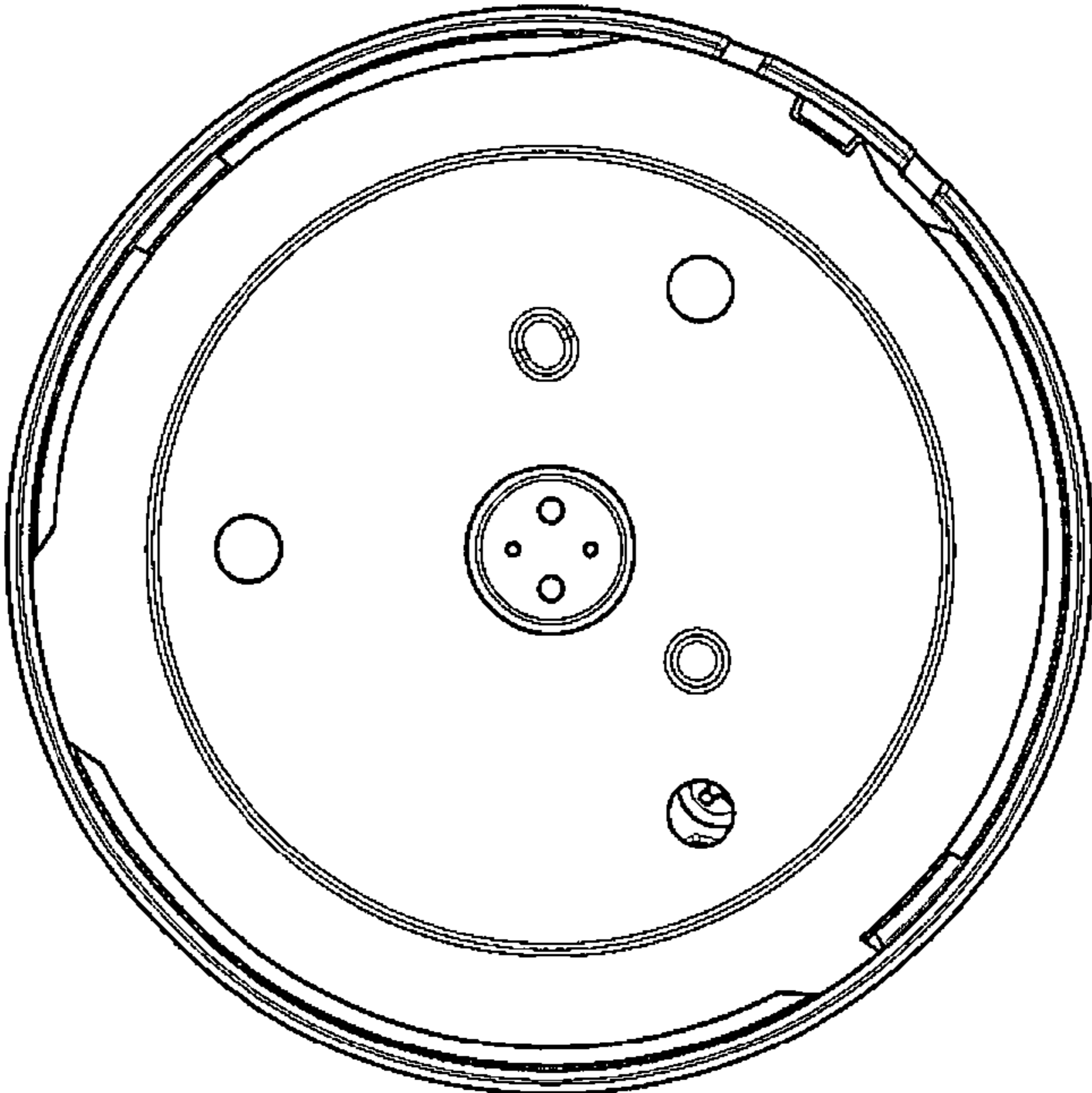


FIG. 7

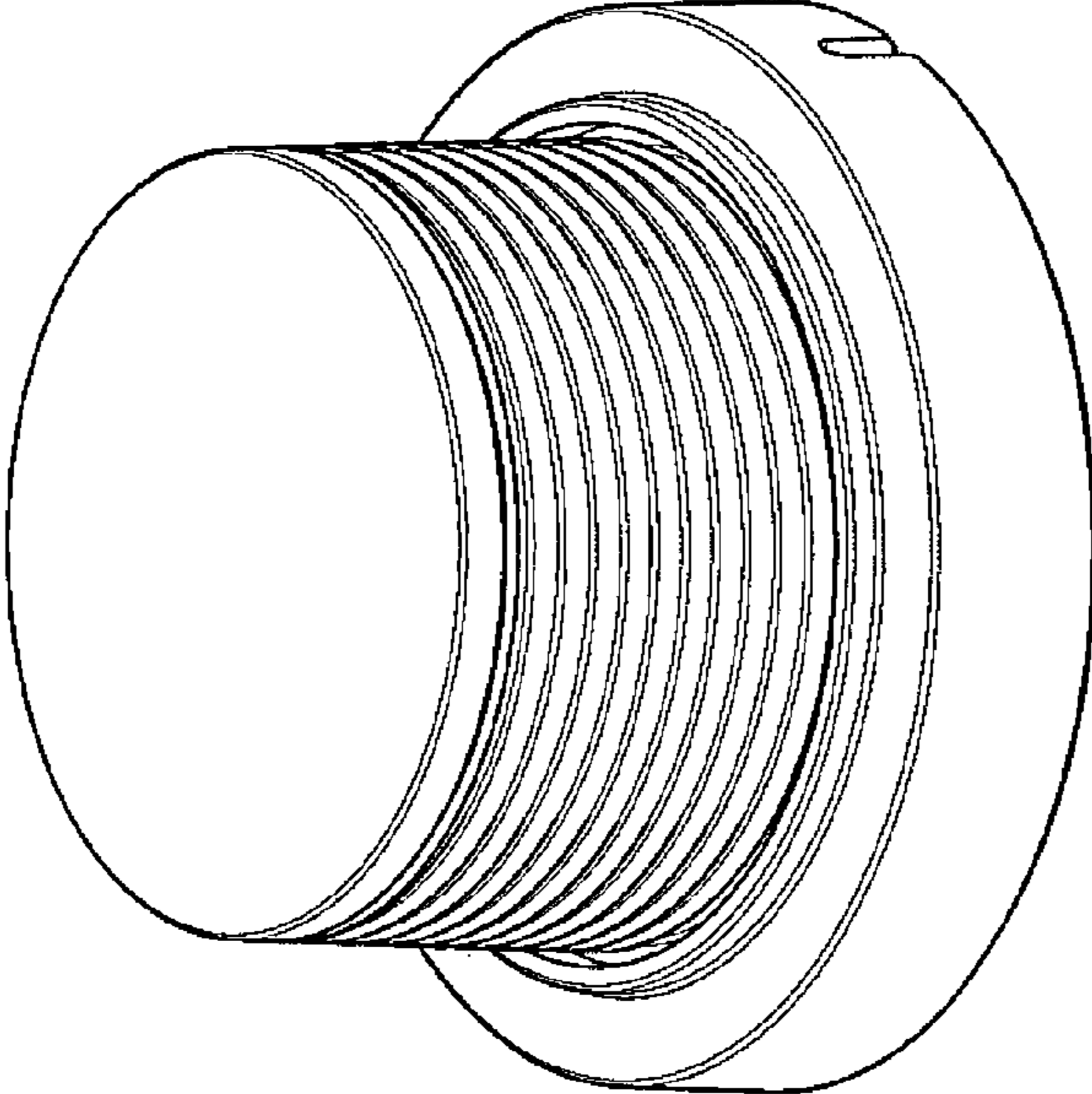


FIG. 8

