



US00D743065S

(12) **United States Design Patent**  
**Weil**

(10) **Patent No.:** **US D743,065 S**

(45) **Date of Patent:** **\*\* Nov. 10, 2015**

(54) **HEADLIGHT FOR A VEHICLE**  
(71) Applicant: **Bayerische Motoren Werke**  
**Aktiengesellschaft, Munich (DE)**  
(72) Inventor: **Christopher Weil, Munich (DE)**  
(73) Assignee: **Bayerische Motoren Werke**  
**Aktiengesellschaft, Munich (DE)**  
(\*\*) Term: **14 Years**

D672,066 S \* 12/2012 Saracoglu ..... D26/28  
D686,356 S \* 7/2013 Morgenstern  
D705,961 S \* 5/2014 Hildebrand et al. .... D26/28  
D714,479 S \* 9/2014 Nagasaka et al. .... D26/28  
D721,194 S \* 1/2015 Ito et al. .... D26/28  
D723,724 S \* 3/2015 Johnson ..... D26/28

(21) Appl. No.: **29/486,320**  
(22) Filed: **Mar. 28, 2014**  
(30) **Foreign Application Priority Data**

**FOREIGN PATENT DOCUMENTS**

WO DM/072624 5/2010  
WO DM/076561 2/2012  
WO DM/080366 9/2013

\* cited by examiner

*Primary Examiner* — Cynthia Ramirez  
*Assistant Examiner* — Llorellys Martinez-Rivera  
(74) *Attorney, Agent, or Firm* — Crowell & Moring LLP

Sep. 30, 2013 (DE) ..... 40 2013 100 992  
(51) **LOC (10) Cl.** ..... **26-06**  
(52) **U.S. Cl.**  
USPC ..... **D26/28**  
(58) **Field of Classification Search**  
USPC ..... D26/28-36; 362/84, 341, 459-468,  
362/473, 475-478, 485-487, 511, 523  
CPC ..... B62J 6/02; B62J 6/04; B60Q 1/0047;  
B60Q 1/18; B60Q 1/2696; B60Q 1/46;  
F21S 48/1233; F21S 48/10; F21S 48/335;  
F21S 48/00; F21S 48/1258  
See application file for complete search history.

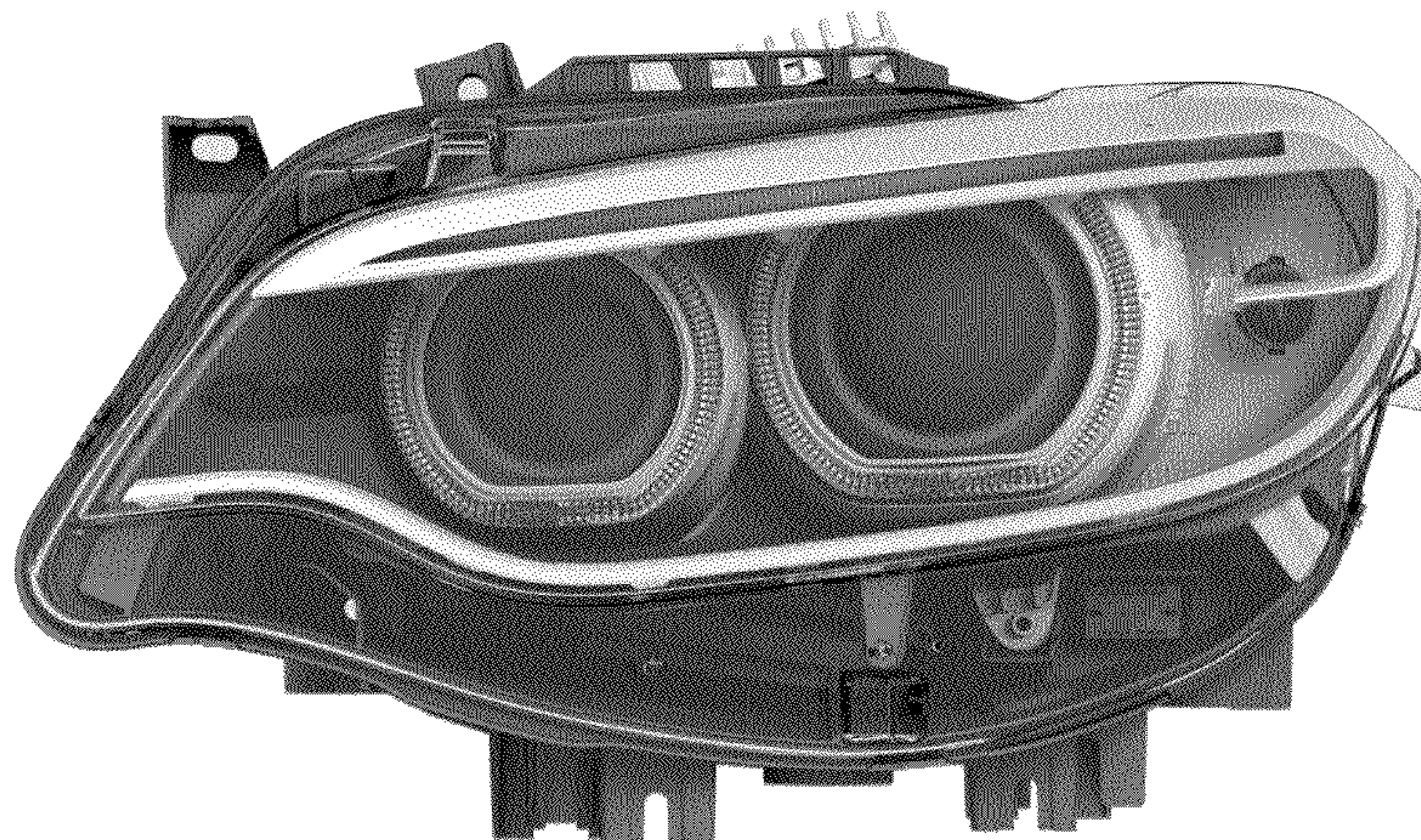
(57) **CLAIM**  
The ornamental design for a headlight for a vehicle, as shown and described.

(56) **References Cited**  
**U.S. PATENT DOCUMENTS**  
D528,681 S \* 9/2006 Nakahara ..... D26/28  
D529,208 S \* 9/2006 Ikeda ..... D26/28  
D591,880 S \* 5/2009 Futschik et al. .... D26/28  
D593,691 S \* 6/2009 Habib ..... D26/28  
D605,792 S \* 12/2009 Weil ..... D26/28  
D631,996 S 2/2011 Froehlich  
D655,835 S \* 3/2012 Park et al. .... D26/28  
D667,153 S \* 9/2012 Huet ..... D26/28

**DESCRIPTION**

This application contains subject matter related to the following co-pending U.S. design patent applications: Application Ser. No. 29/486,314, filed herewith and entitled "Vehicle, Toy, and/or Replicas Thereof"; Application Ser. No. 29/486,316, filed herewith and entitled "Vehicle, Toy, and/or Replicas Thereof"; and, Application Ser. No. 29/449,351, filed Mar. 15, 2013 and entitled Headlight for a Vehicle. FIG. 1 is a front view of a headlight for a vehicle according to the design; FIG. 2 is a right, front perspective view thereof; FIG. 3 is a left, front perspective view thereof; FIG. 4 is a right side view thereof; FIG. 5 is a left side view thereof; FIG. 6 is a top view thereof; FIG. 7 is a bottom view thereof; and, FIG. 8 is a rear view thereof.

**1 Claim, 8 Drawing Sheets**





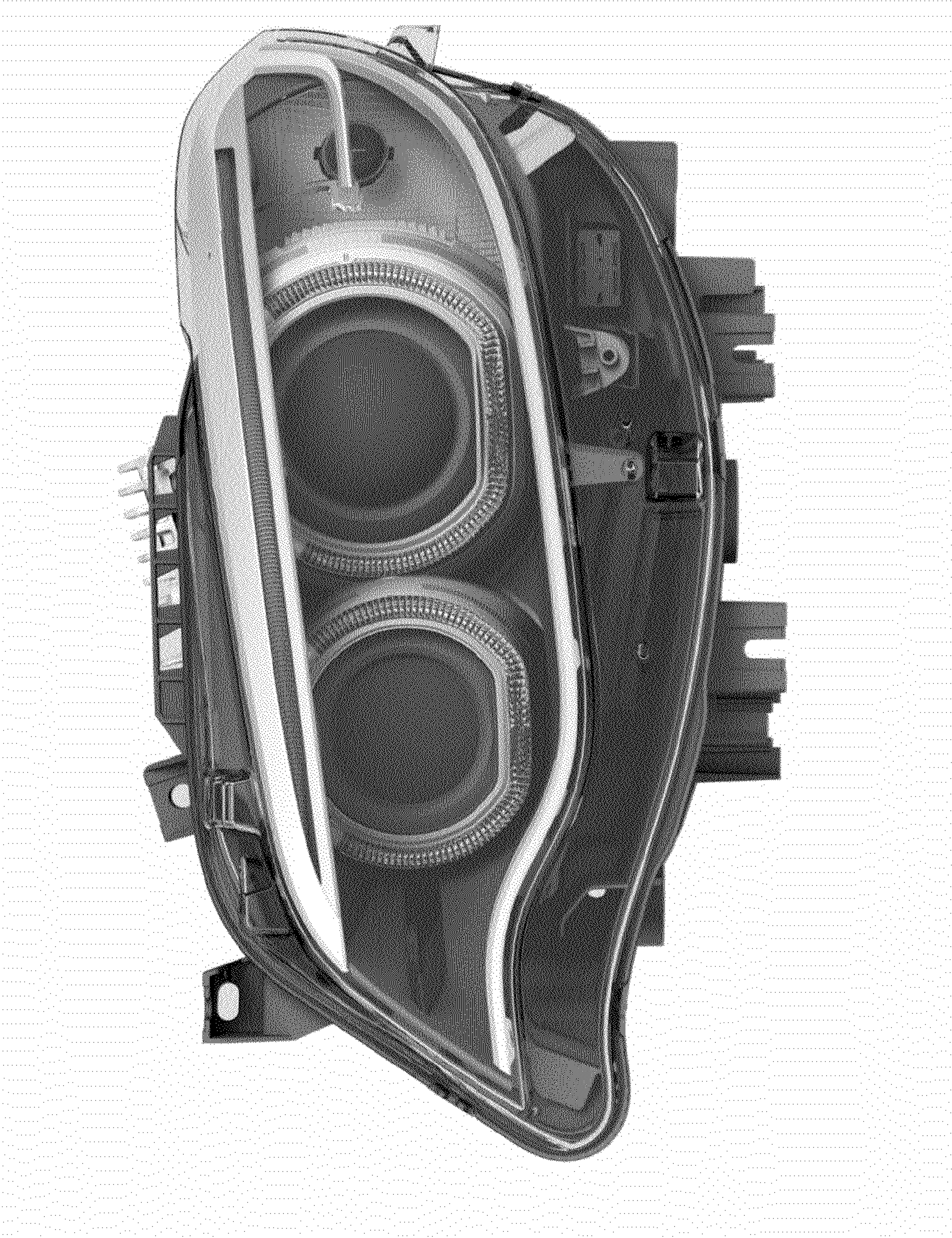


Fig. 1



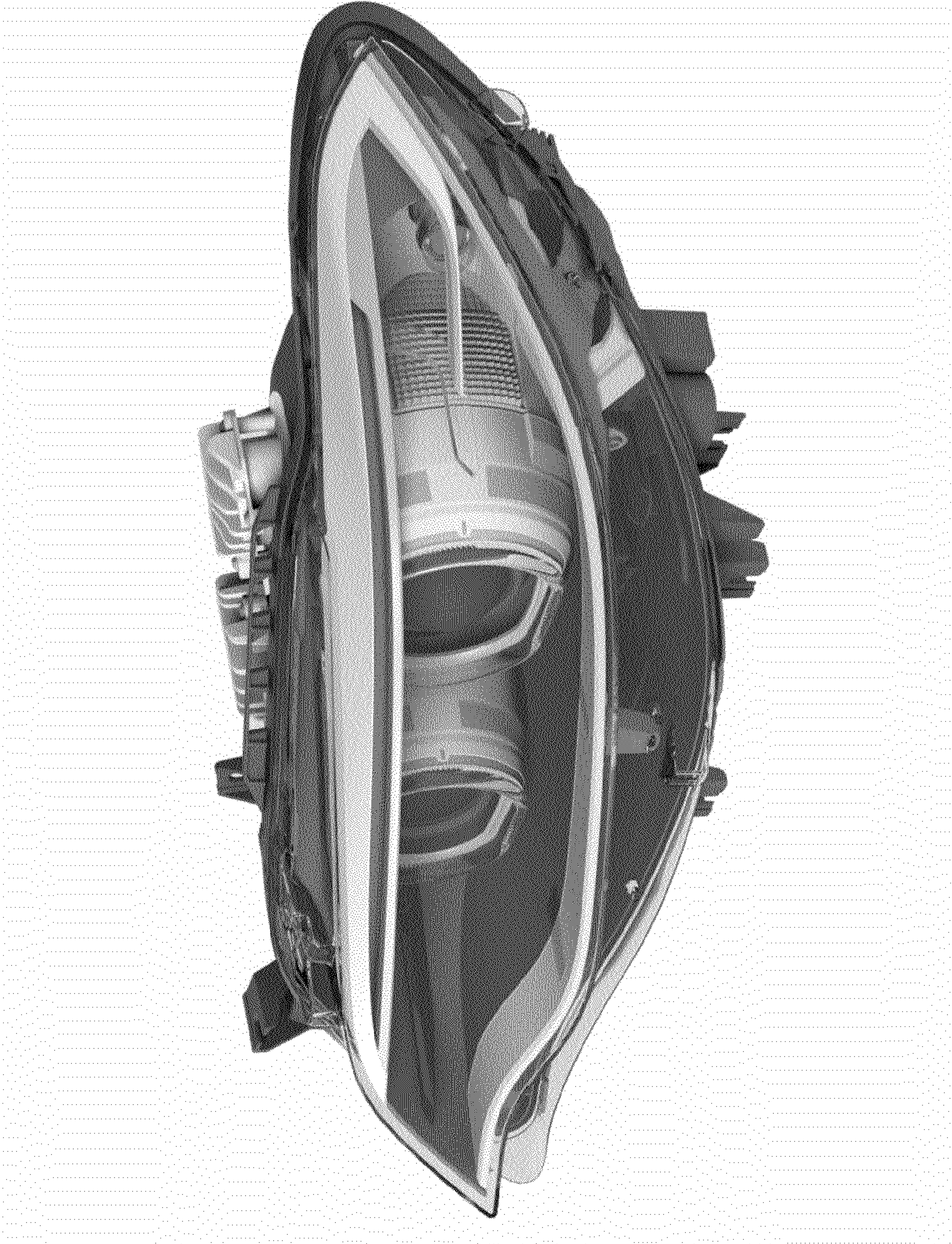


Fig. 2



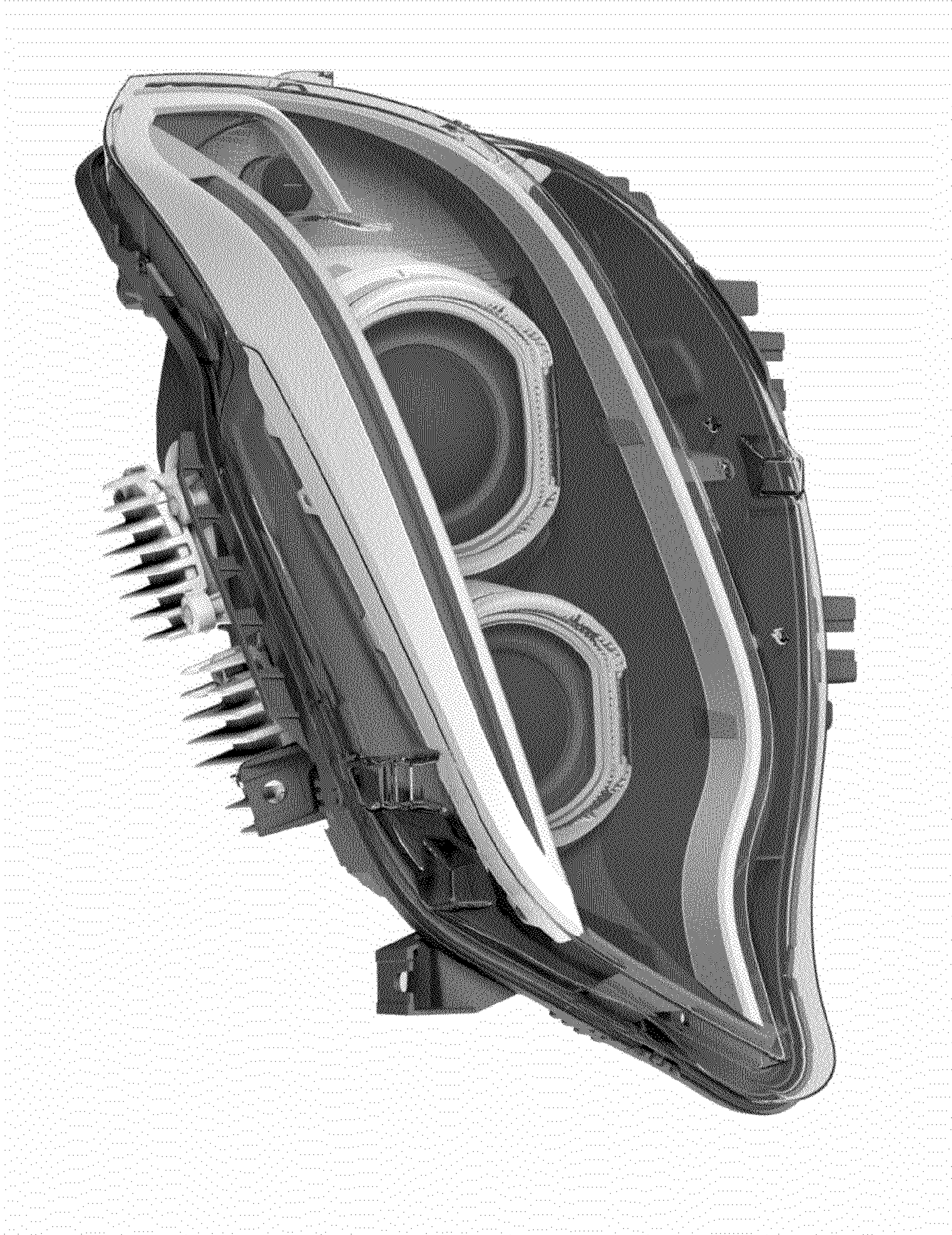


Fig. 3





Fig. 4



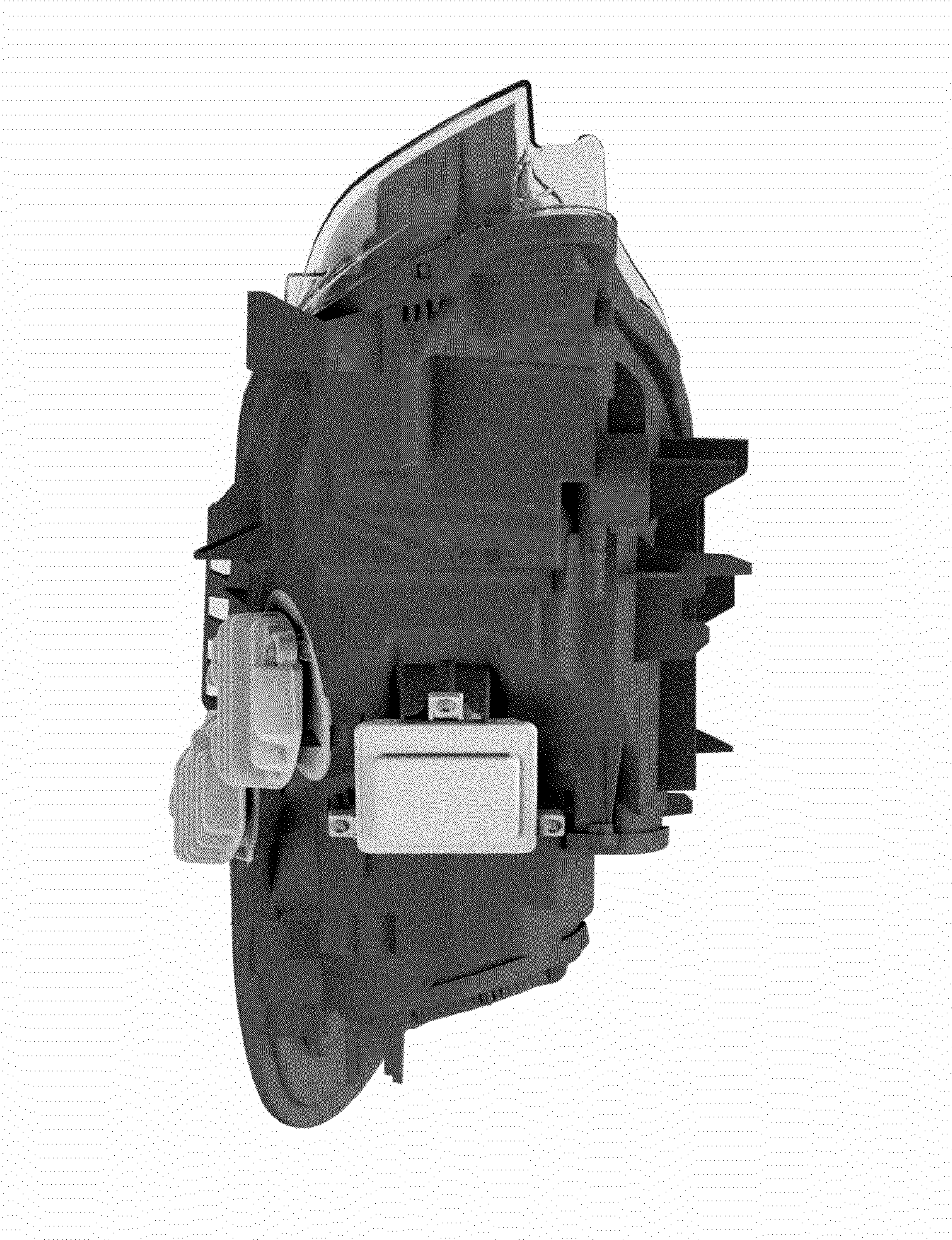


Fig. 5





Fig. 6



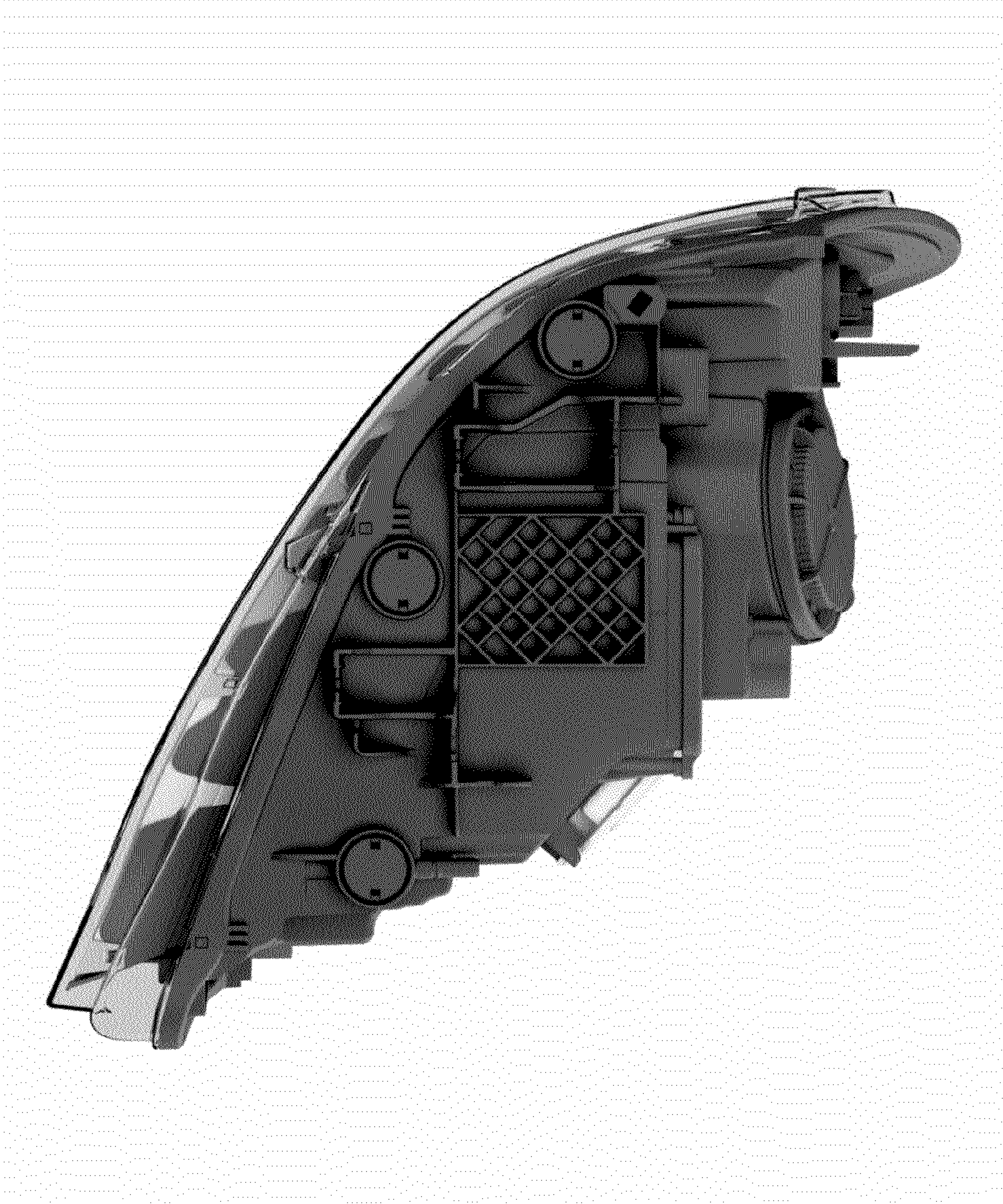


Fig. 7



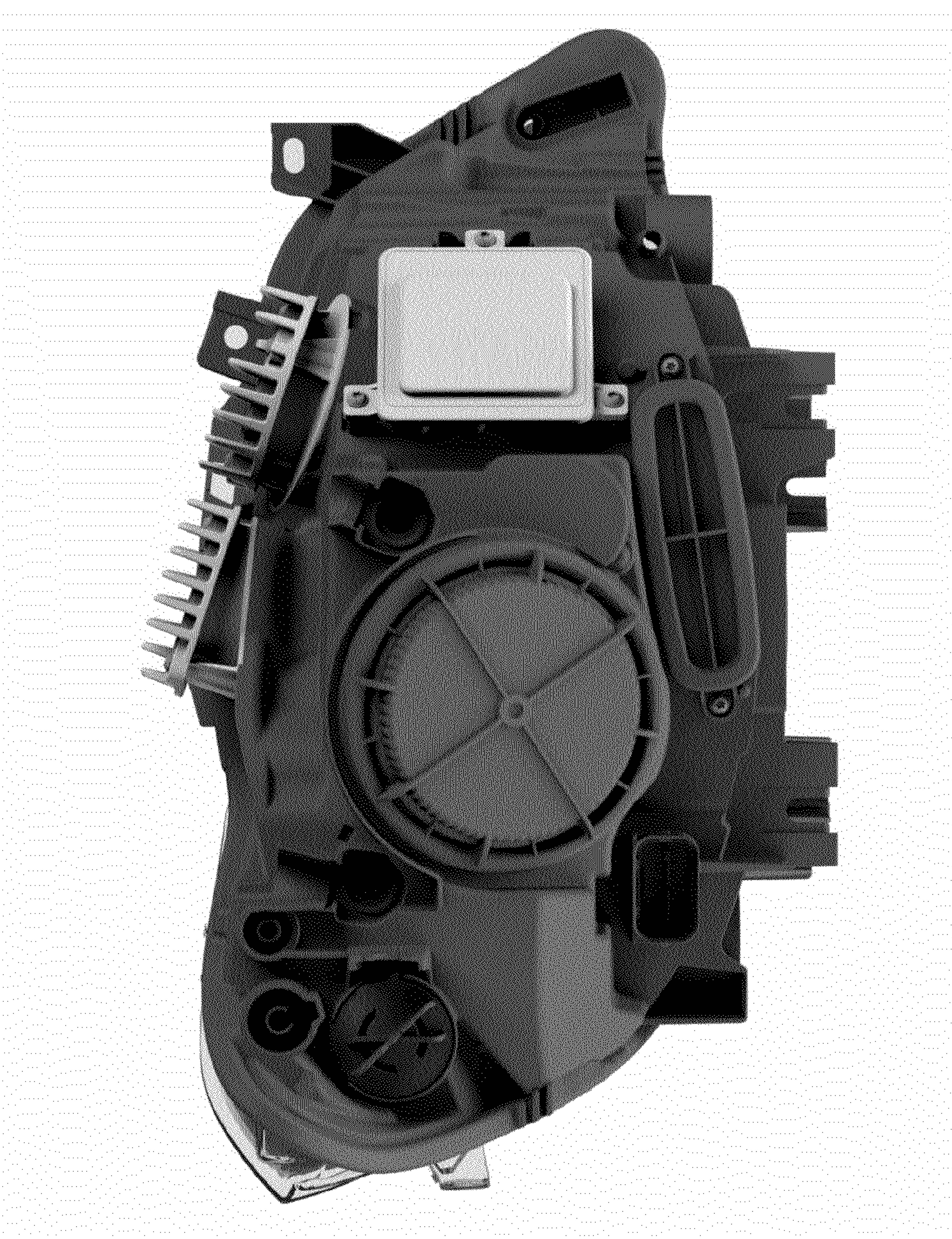


Fig. 8