



US00D743062S

(12) **United States Design Patent**
Lee et al.

(10) **Patent No.:** **US D743,062 S**
(45) **Date of Patent:** **** Nov. 10, 2015**

(54) **LED LAMP**

(71) Applicant: **Samsung Electronics Co., Ltd.**,
Suwon-si, Gyeonggi-do (KR)

(72) Inventors: **Choong-Eun Lee**, Seoul (KR);
Young-Jin Kim, Gunpo-Si (KR);
Min-Ho Cha, Seoul (KR)

(73) Assignee: **SAMSUNG ELECTRONICS CO., LTD.** (KR)

(**) Term: **14 Years**

(21) Appl. No.: **29/503,851**

(22) Filed: **Sep. 30, 2014**

(30) **Foreign Application Priority Data**

Apr. 1, 2014 (KR) 30-2014-0016305

(51) **LOC (10) Cl.** **26-04**

(52) **U.S. Cl.**
USPC **D26/3**

(58) **Field of Classification Search**
USPC D26/1-4; 313/313, 315, 316, 317, 318,
313/493; 315/52, 53, 56, 57, 58

See application file for complete search history.

(56) **References Cited**

U.S. PATENT DOCUMENTS

D210,289 S * 2/1968 Kitagawa et al. D26/3
D214,911 S * 8/1969 Morgan D26/1
D340,296 S * 10/1993 Bachetzky et al. D26/3

* cited by examiner

Primary Examiner — Marcus Jackson

(74) *Attorney, Agent, or Firm* — Cantor Colburn LLP

(57) **CLAIM**

The ornamental design for a LED lamp, as shown and described.

DESCRIPTION

FIG. 1 is a perspective view of a LED lamp, showing our new design;

FIG. 2 is a front view thereof;

FIG. 3 is a rear view thereof;

FIG. 4 is a side view thereof;

FIG. 5 is a another side view thereof;

FIG. 6 is a top view thereof;

FIG. 7 is a bottom view thereof;

FIG. 8 is another perspective view thereof; and,

FIG. 9 is an enlarged view of the encircled portion of FIG. 8.

The broken lines are for environmental purpose only and form no part of the claimed design.

1 Claim, 8 Drawing Sheets

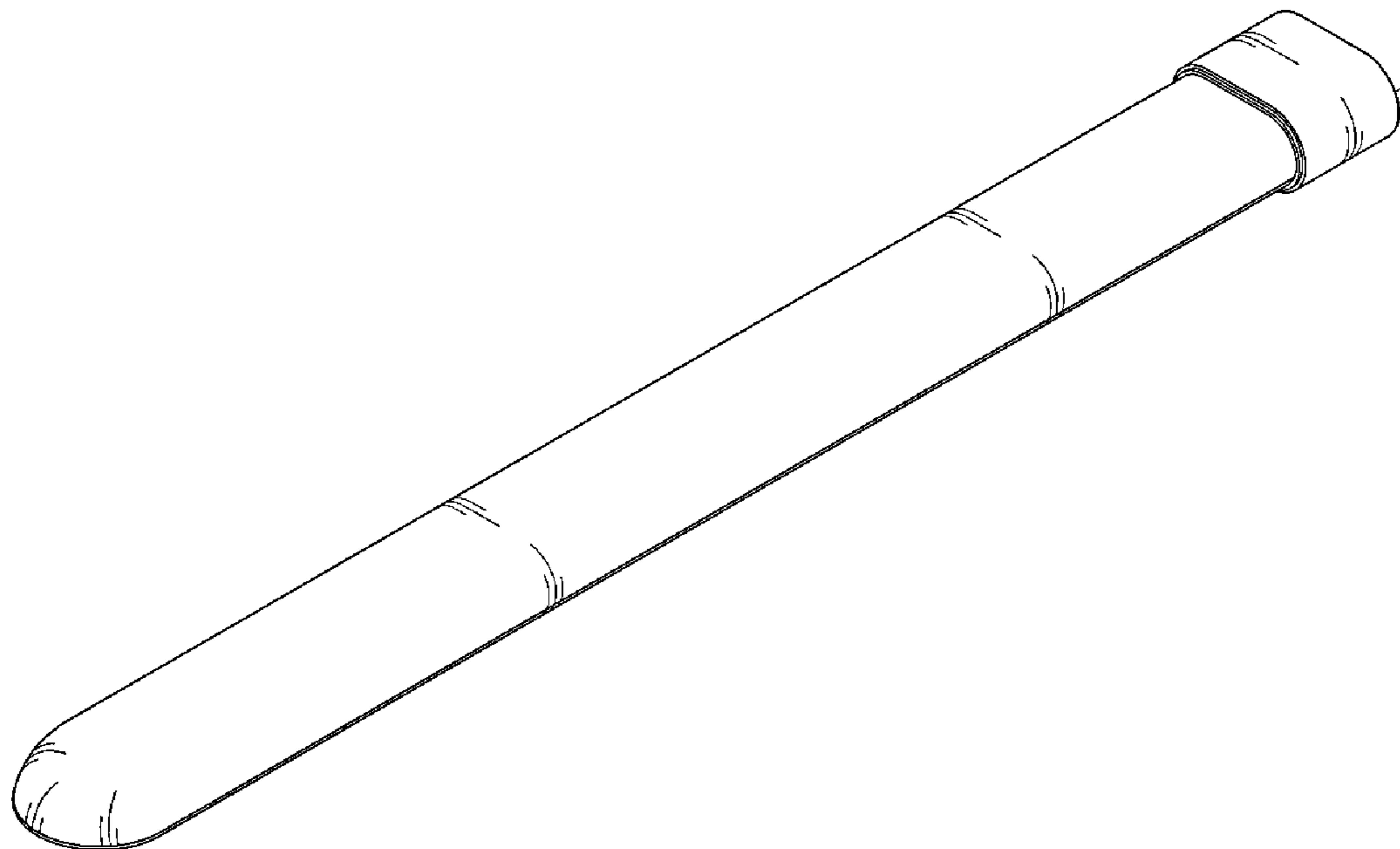


FIG. 1

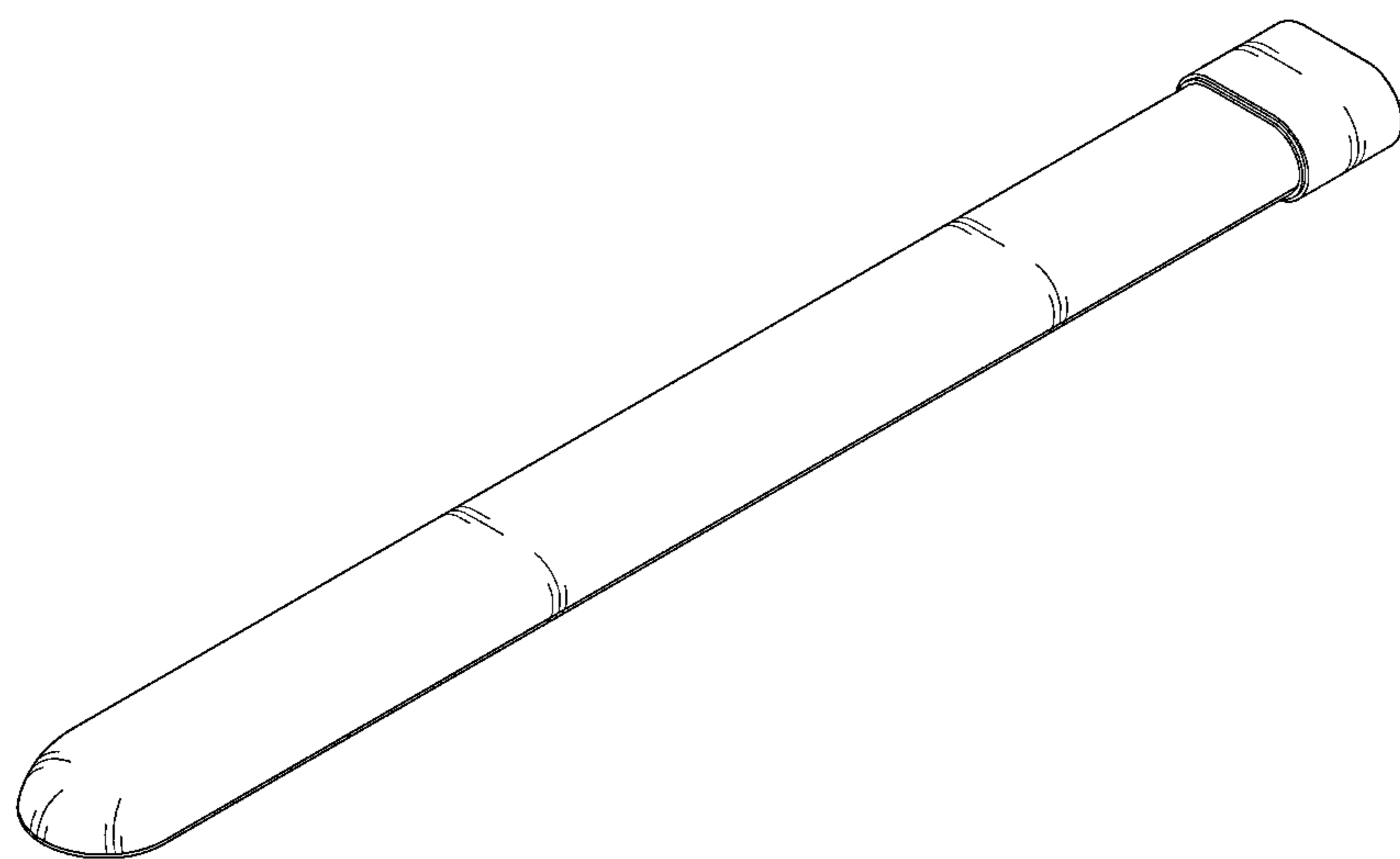


FIG. 2

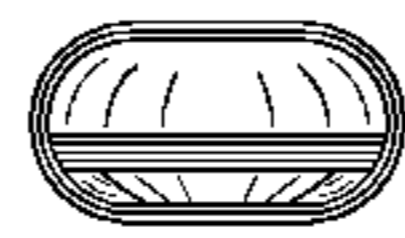


FIG. 3



FIG. 4

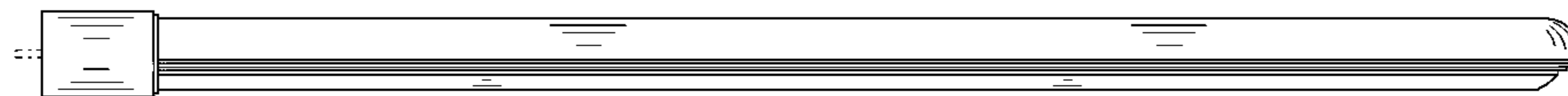


FIG. 5

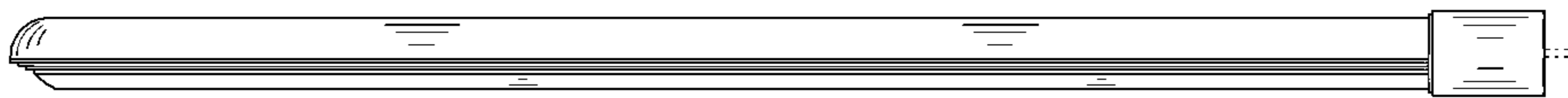


FIG. 6

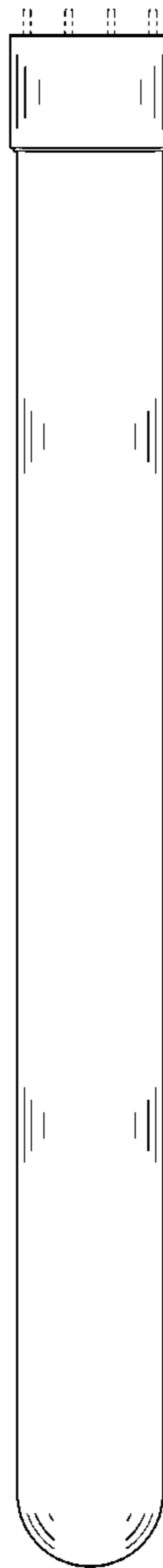


FIG. 7

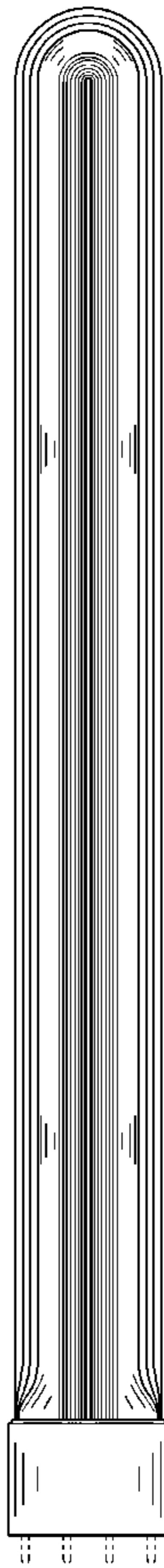


FIG. 8

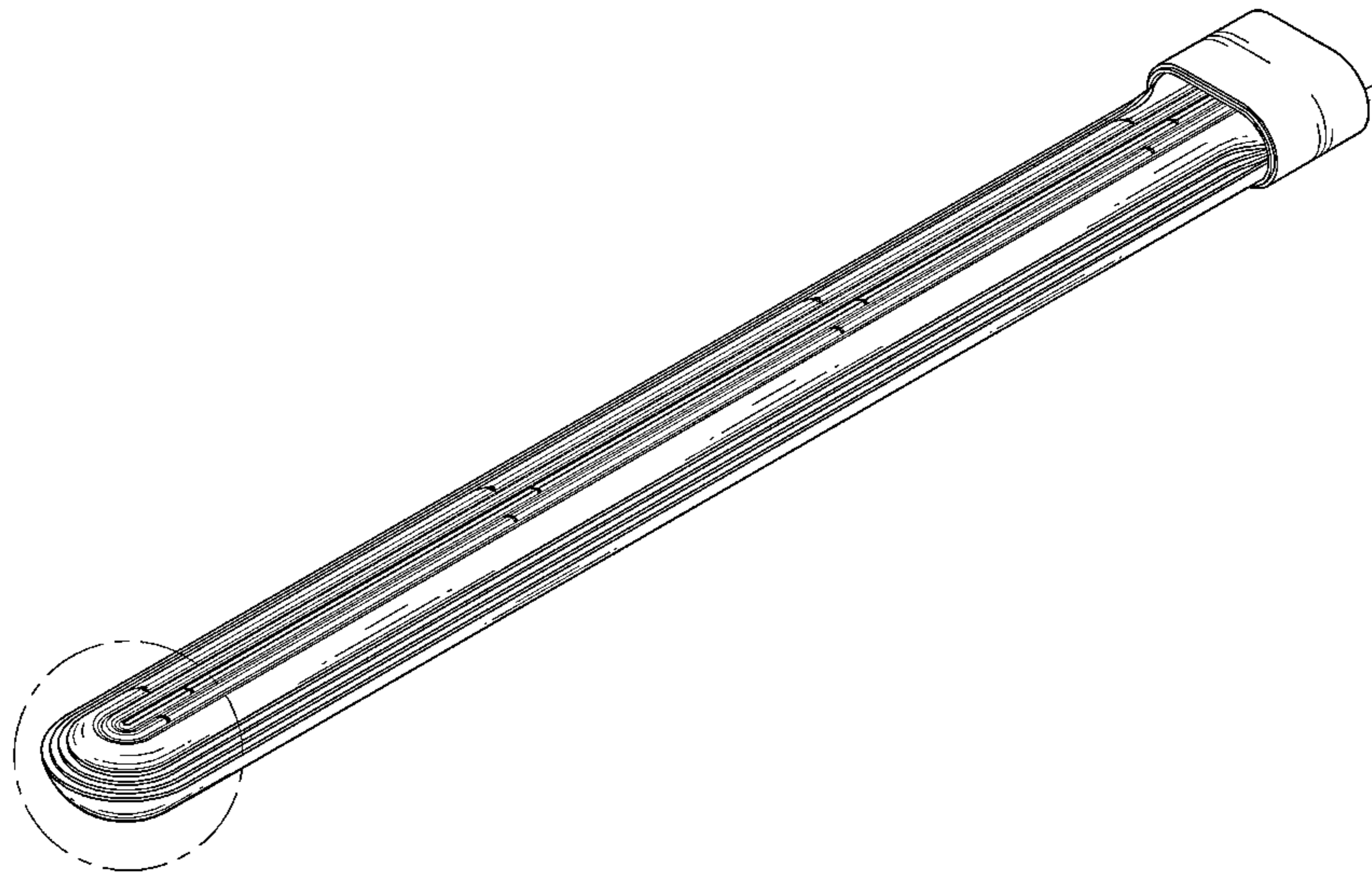


FIG. 9

