



US00D743061S

(12) **United States Design Patent**
Liu

(10) **Patent No.:** **US D743,061 S**
(45) **Date of Patent:** **** Nov. 10, 2015**

(54) **LAMP**

(71) Applicant: **Teng-Mao Liu**, Hsin-Chu County (TW)

(72) Inventor: **Teng-Mao Liu**, Hsin-Chu County (TW)

(**) Term: **14 Years**

(21) Appl. No.: **29/504,050**

(22) Filed: **Oct. 1, 2014**

(51) **LOC (10) Cl.** **26-04**

(52) **U.S. Cl.**
USPC **D26/2**

(58) **Field of Classification Search**
USPC D26/1-4, 67, 72, 113, 118; 313/313,
313/315, 316, 317, 318, 493, 501; 315/52,
315/53, 56, 57, 58; 362/373
CPC F21K 9/135; F21K 9/1375; F21K 9/13
See application file for complete search history.

(56) **References Cited**

U.S. PATENT DOCUMENTS

D199,758 S	*	12/1964	Biggs	D26/2
D573,288 S	*	7/2008	Xu et al.	D26/67
D600,367 S	*	9/2009	Bertram et al.	D26/2
D623,337 S	*	9/2010	Zheng	D26/67
D642,316 S	*	7/2011	Zheng et al.	D26/72

D660,468 S	*	5/2012	Mase et al.	D26/2
D660,469 S	*	5/2012	Mase et al.	D26/2
D667,150 S	*	9/2012	Chun et al.	D26/2
D673,699 S	*	1/2013	Yao et al.	D26/2
D695,431 S	*	12/2013	Lay	D26/2
D698,049 S	*	1/2014	Jiang et al.	D26/2
D719,684 S	*	12/2014	Grajcar	D26/2
D728,834 S	*	5/2015	Taylor et al.	D26/2
D732,211 S	*	6/2015	Cho et al.	D26/2
2009/0279314 A1	*	11/2009	Wu et al.	362/373

* cited by examiner

Primary Examiner — Ian Simmons

Assistant Examiner — Harold Blackwell, II

(74) *Attorney, Agent, or Firm* — Chun-Mins Shih

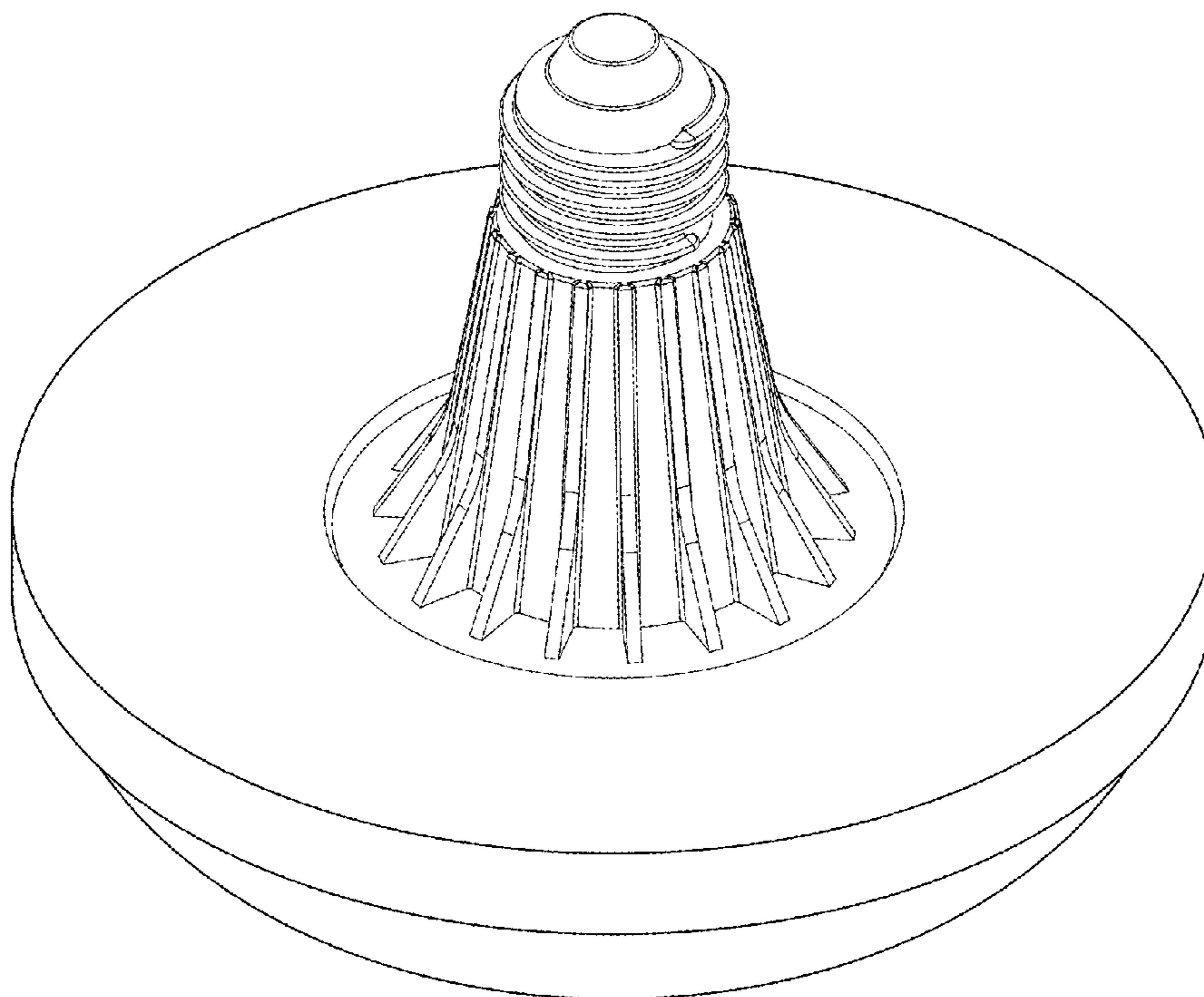
(57) **CLAIM**

The ornamental design for a lamp, as shown and described.

DESCRIPTION

FIG. 1 is a perspective view of a lamp showing my new design;
FIG. 2 is a front view thereof;
FIG. 3 is a left side view thereof;
FIG. 4 is a rear view thereof;
FIG. 5 is a right side view thereof;
FIG. 6 is a top view thereof; and,
FIG. 7 is a bottom view thereof.

1 Claim, 7 Drawing Sheets



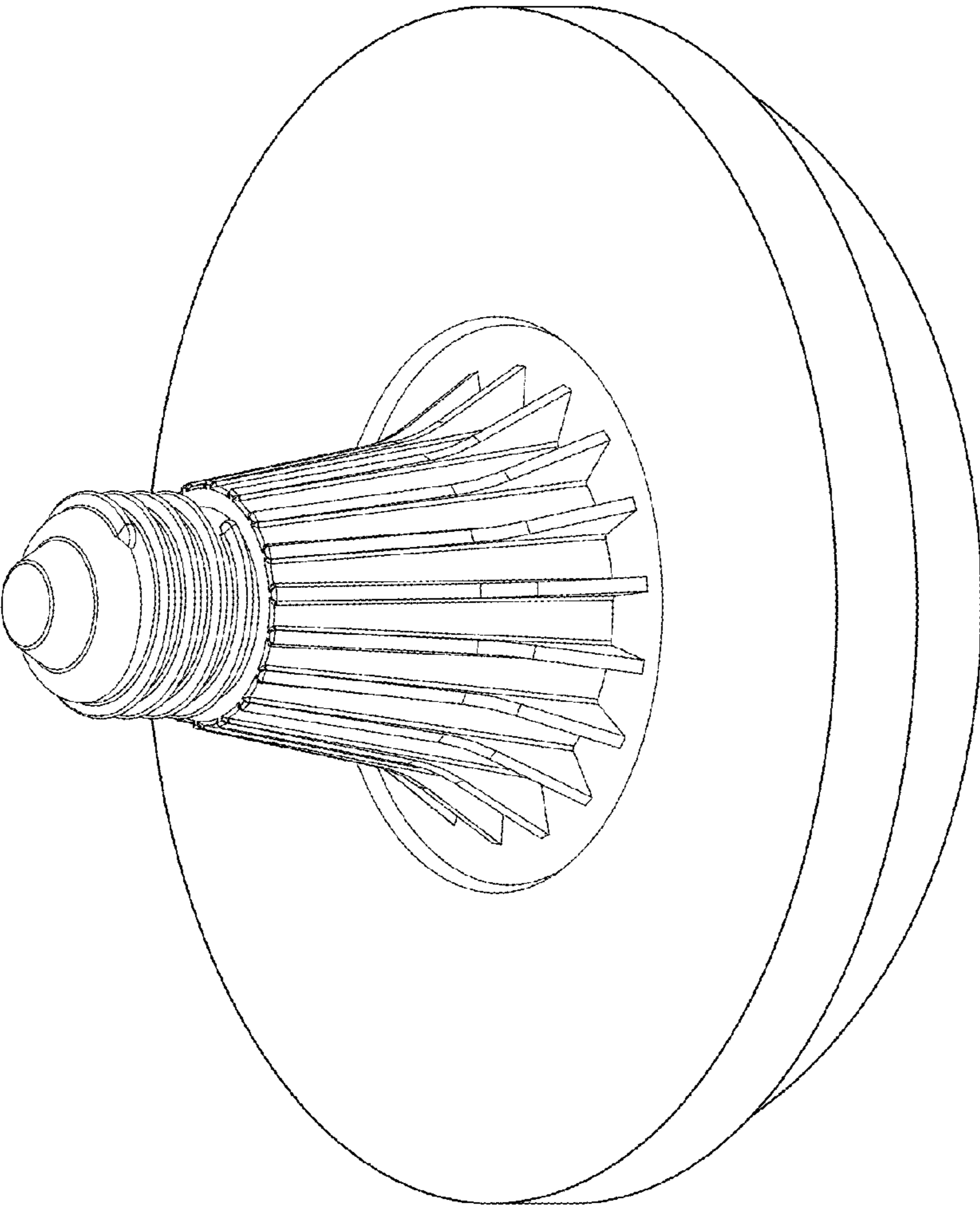


FIG. 1

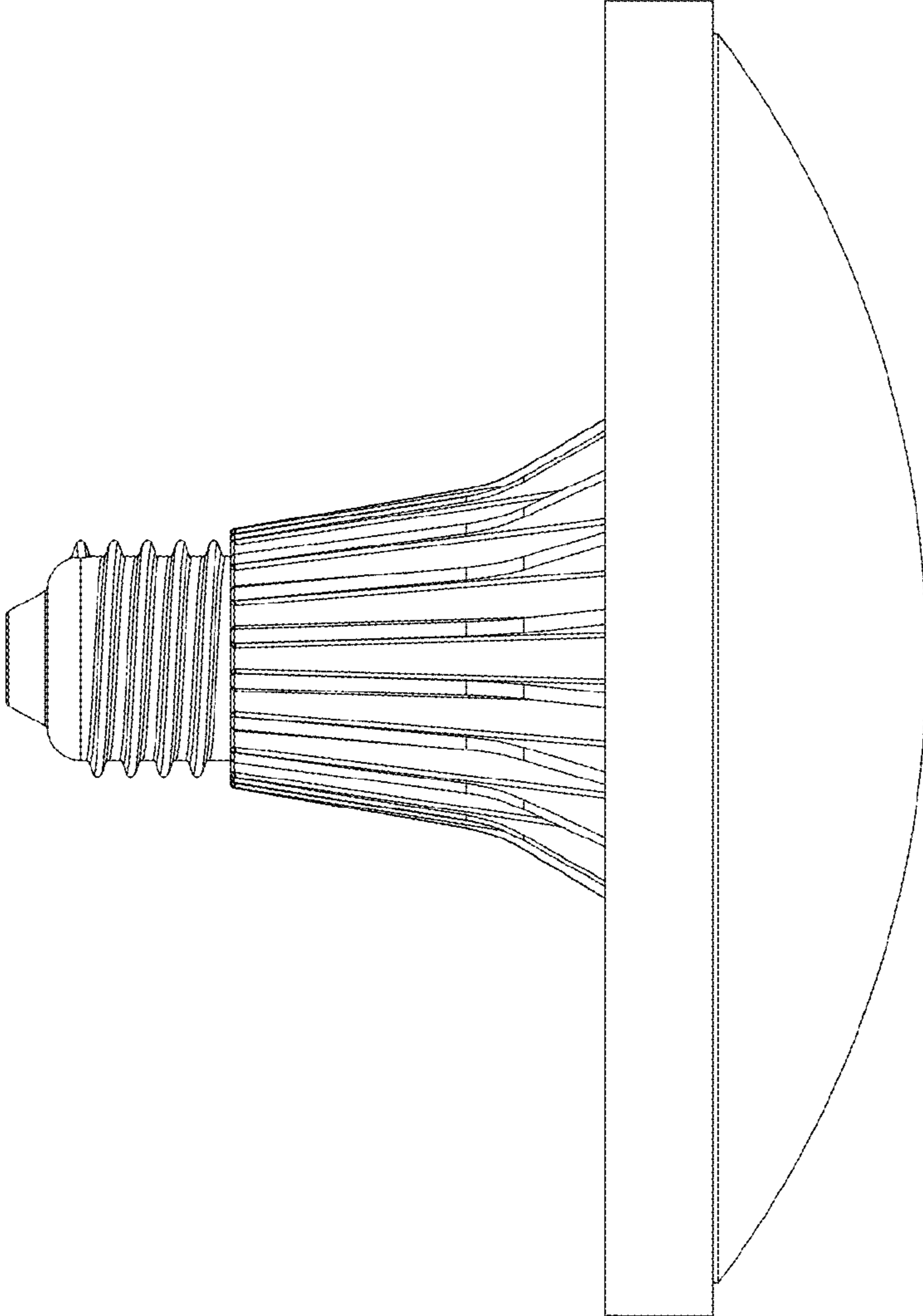


FIG. 2

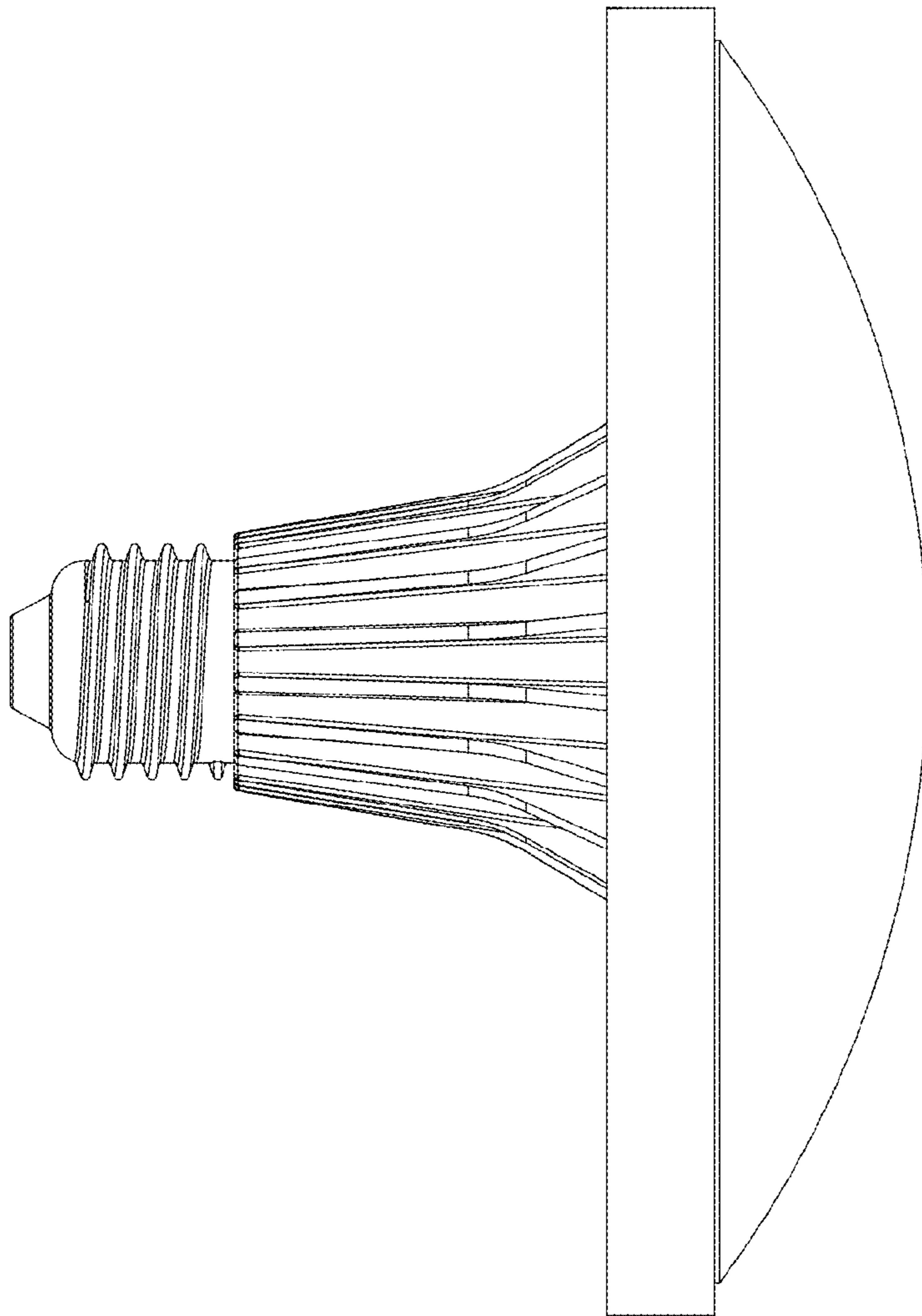


FIG. 3

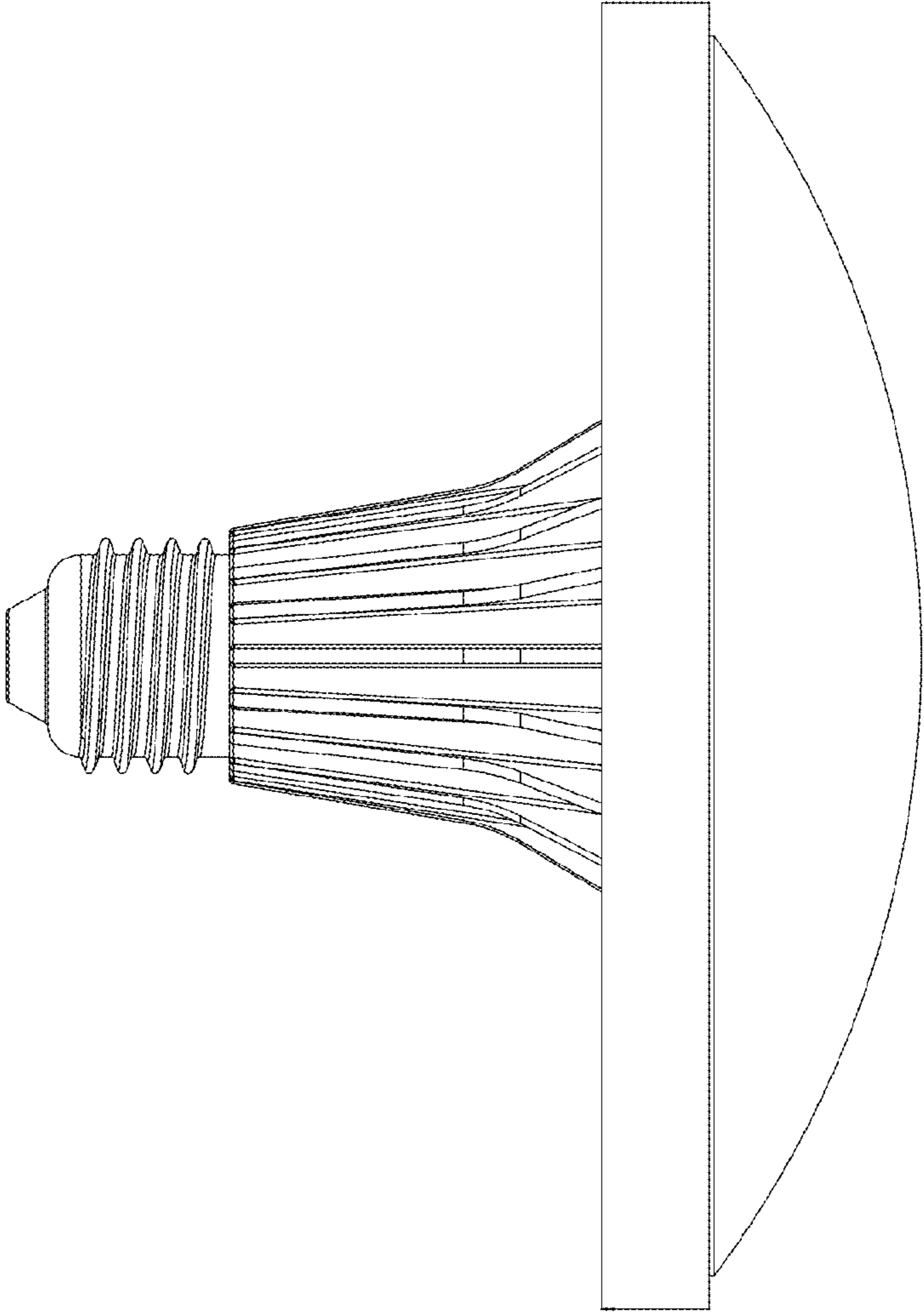


FIG. 4

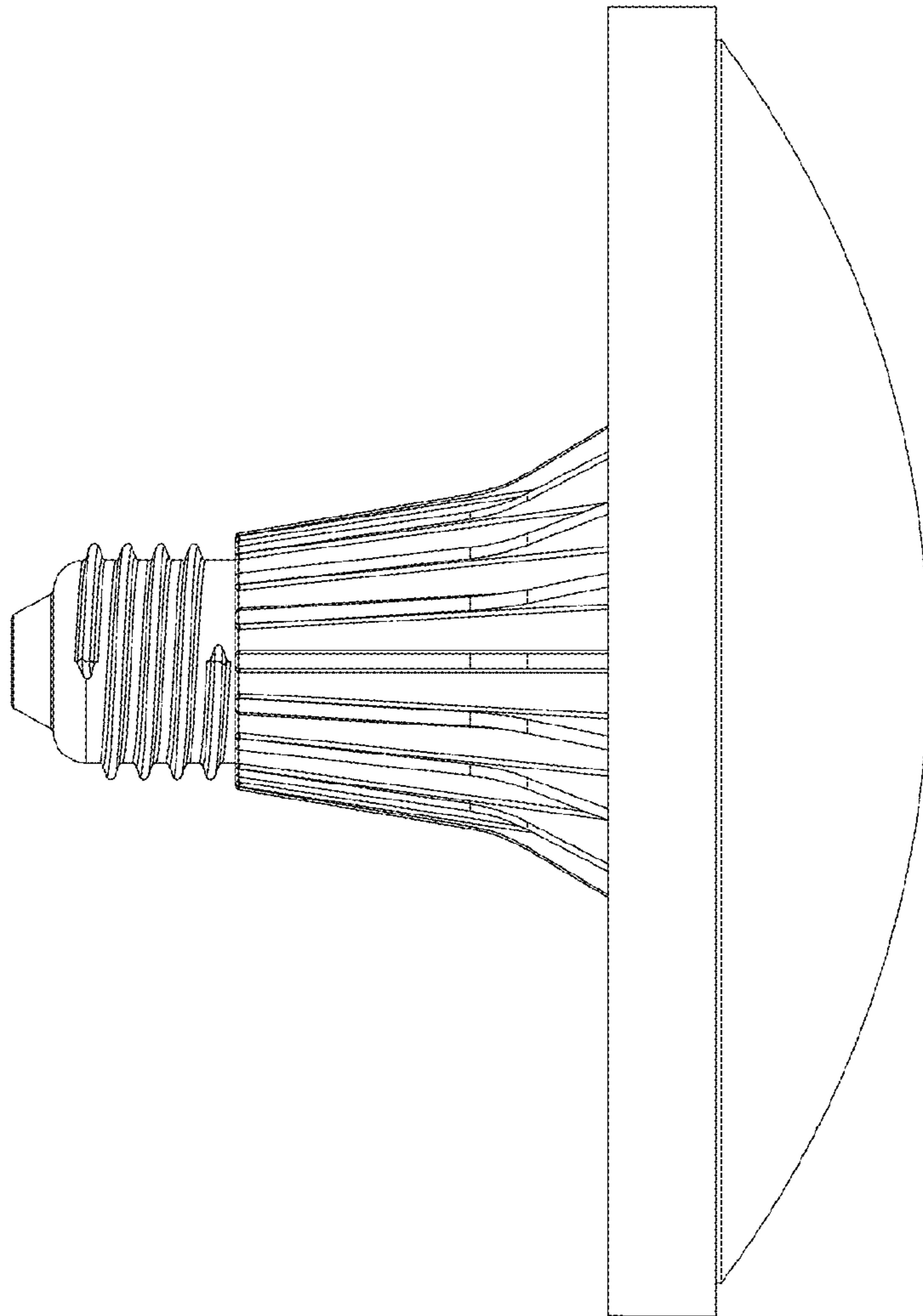


FIG. 5

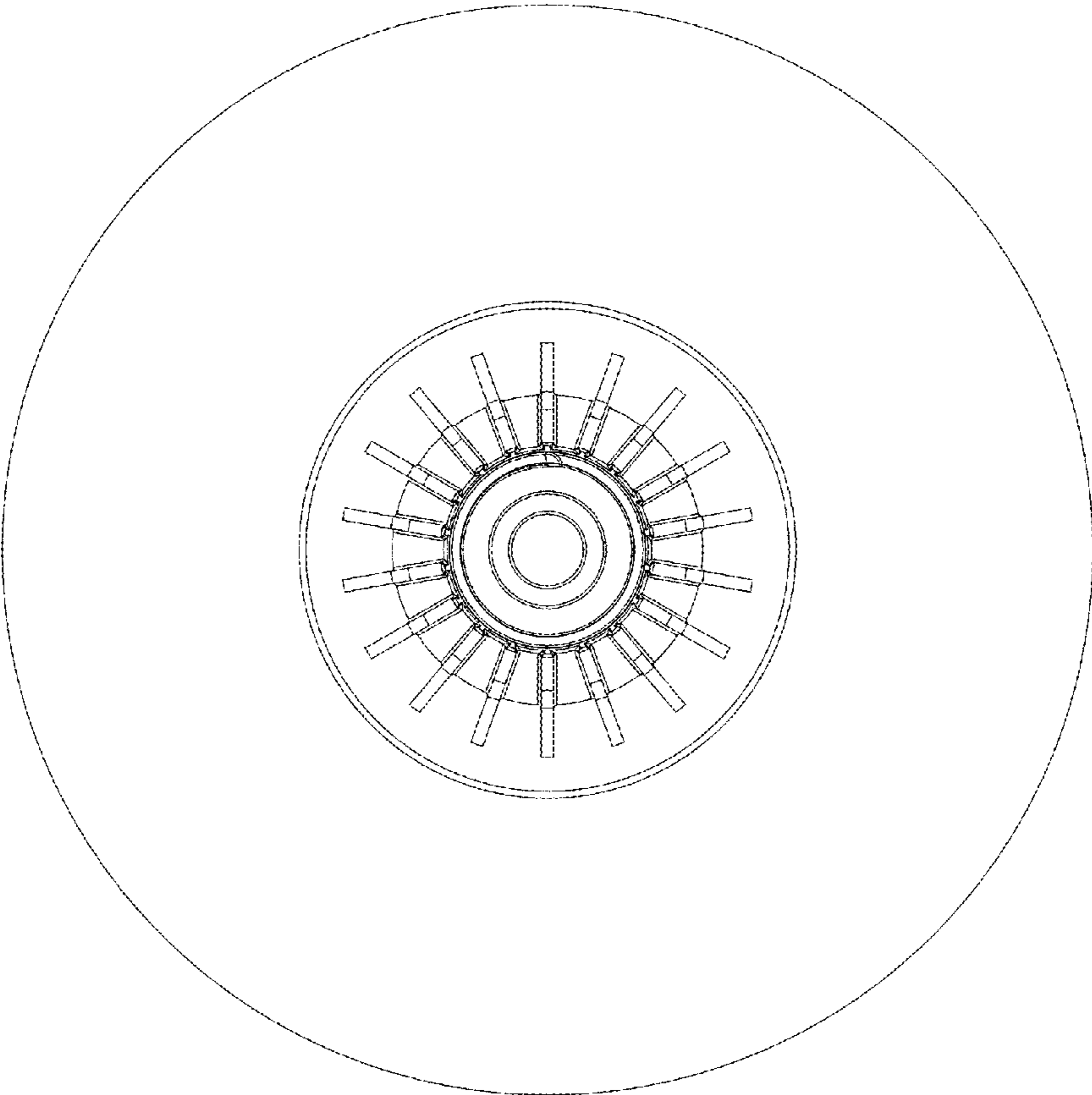


FIG. 6

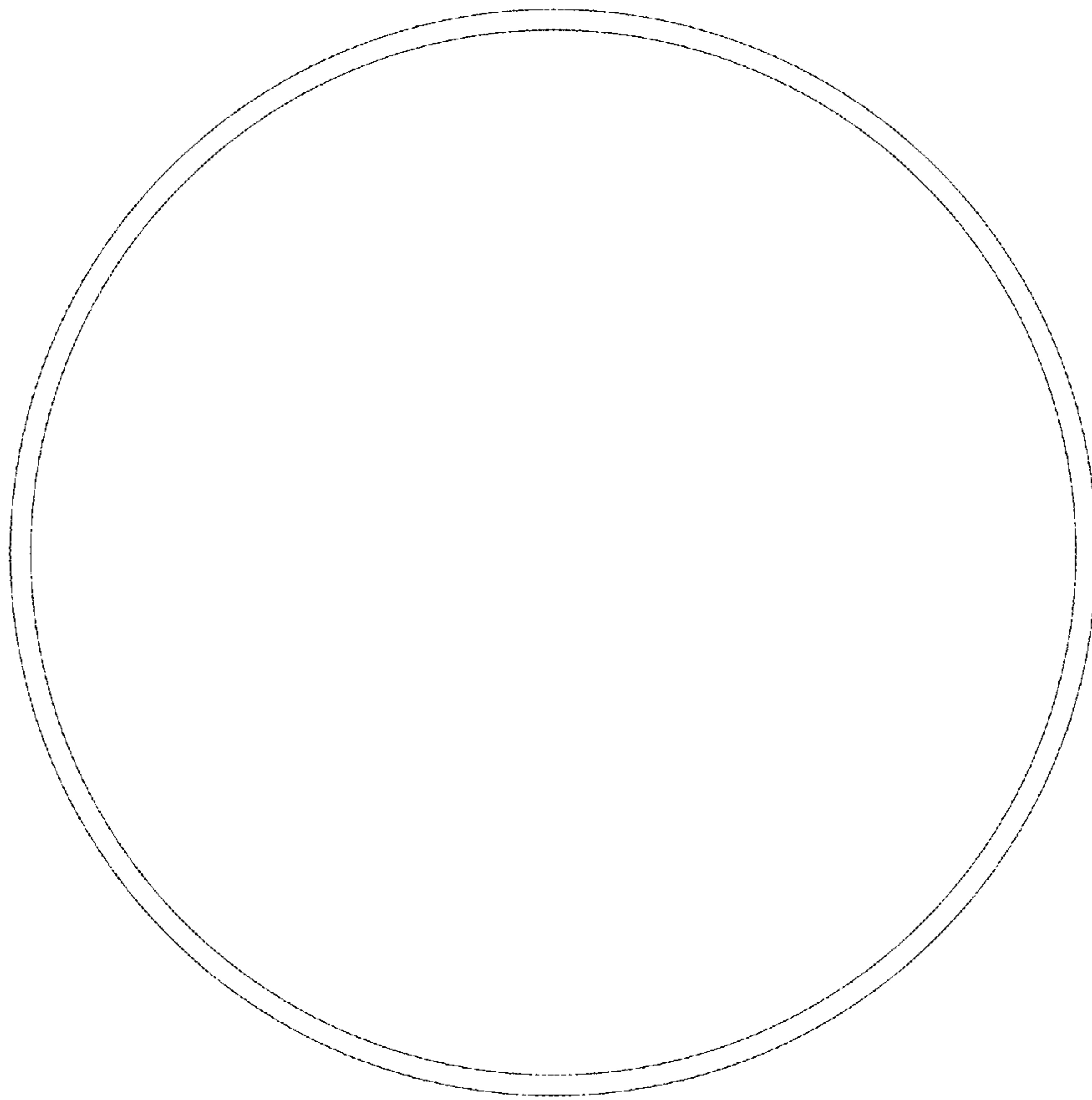


FIG. 7