



US00D743059S

(12) **United States Design Patent**  
**Itoh et al.**

(10) **Patent No.:** **US D743,059 S**

(45) **Date of Patent:** **\*\* Nov. 10, 2015**

(54) **LIGHT-EMITTING DIODE LAMP**

D644,760 S \* 9/2011 Murakami ..... D26/2  
D648,875 S \* 11/2011 Kim ..... D26/2  
D671,234 S \* 11/2012 Yamamoto ..... D26/2

(71) Applicant: **Panasonic Corporation**, Osaka (JP)

\* cited by examiner

(72) Inventors: **Masaaki Itoh**, Osaka (JP); **Tadashi Ogawa**, Osaka (JP); **Toshiro Ohmuro**, Osaka (JP)

*Primary Examiner* — Marcus Jackson

(74) *Attorney, Agent, or Firm* — Panasonic Patent Center

(73) Assignee: **Panasonic Intellectual Property Management Co., Ltd.**, Osaka (JP)

(57) **CLAIM**

We claim the ornamental design for a light-emitting diode lamp, as shown and described.

(\*\*) Term: **14 Years**

**DESCRIPTION**

(21) Appl. No.: **29/497,473**

(22) Filed: **Jul. 24, 2014**

(30) **Foreign Application Priority Data**

Feb. 20, 2014 (JP) ..... 2014-003414  
Feb. 20, 2014 (JP) ..... 2014-003416

FIG. 1 is a front perspective view of a first embodiment of a light-emitting diode lamp of the present invention;

FIG. 2 is a front view thereof;

FIG. 3 is a rear view thereof;

FIG. 4 is a left side view thereof;

FIG. 5 is a right side view thereof;

FIG. 6 is a top view thereof;

FIG. 7 is a bottom view thereof;

FIG. 8 is a cross-sectional view taken along the line 8-8 in FIG. 6 with the internal parts being omitted thereof;

FIG. 9 is a front perspective view of a second embodiment of a light-emitting diode lamp of the present invention;

FIG. 10 is a front view thereof;

FIG. 11 is a rear view thereof;

FIG. 12 is a left side view thereof;

FIG. 13 is a right side view thereof;

FIG. 14 is a top view thereof;

FIG. 15 is a bottom view thereof; and,

FIG. 16 is a cross-sectional view taken along the line 16-16 in FIG. 14 with the internal parts being omitted thereof.

(51) **LOC (10) Cl.** ..... **26-04**

(52) **U.S. Cl.**  
USPC ..... **D26/2**

(58) **Field of Classification Search**  
USPC ..... D26/1-4; 313/313, 315, 316, 317, 318,  
313/493; 315/52, 53, 56, 57, 58  
CPC ..... H01J 5/48; H01J 5/50; H01J 19/54;  
F21V 5/00  
See application file for complete search history.

(56) **References Cited**

**U.S. PATENT DOCUMENTS**

D602,614 S \* 10/2009 Takahashi et al. .... D26/2  
D642,291 S \* 7/2011 Li ..... D26/2

**1 Claim, 16 Drawing Sheets**

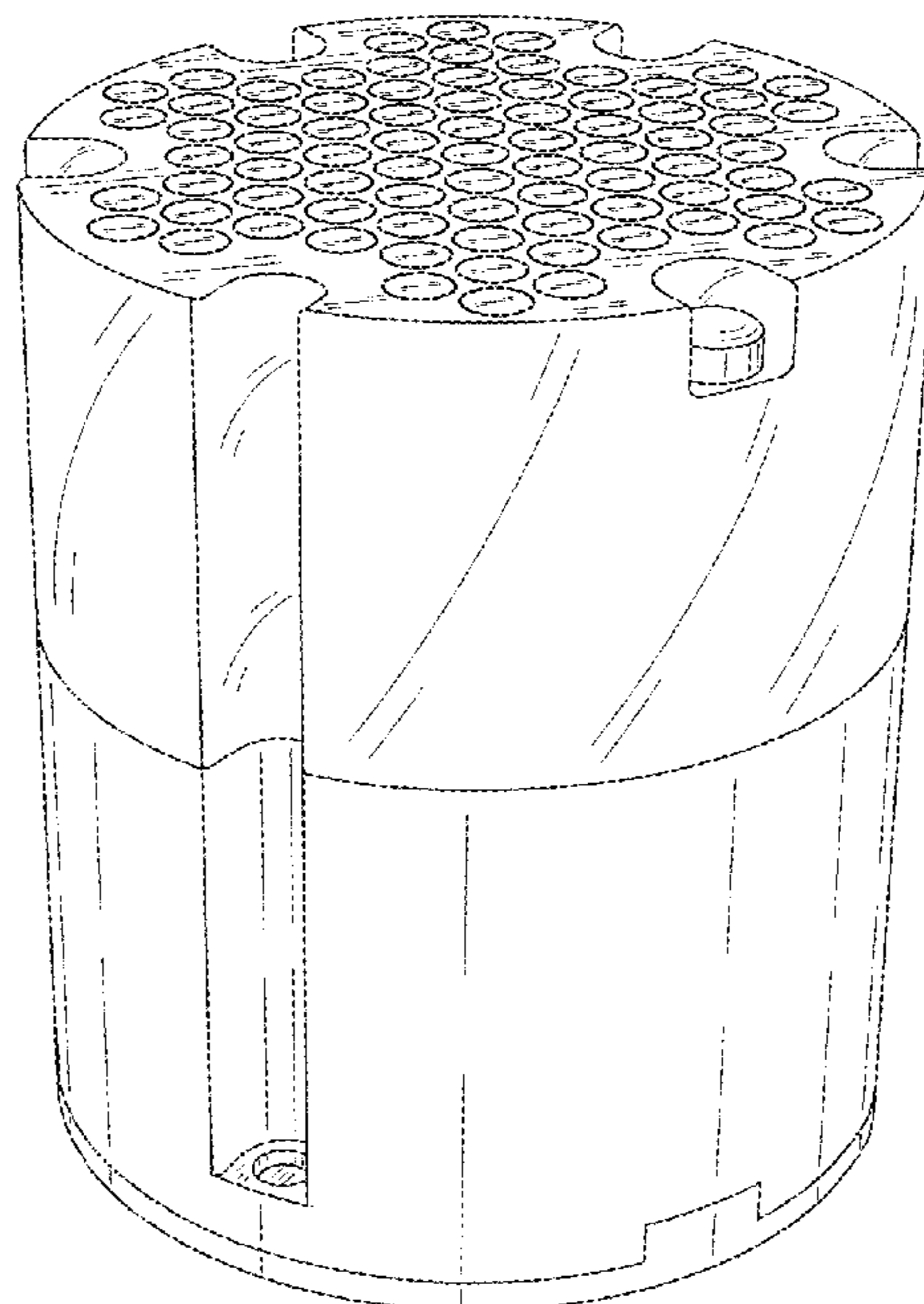


FIG. 1

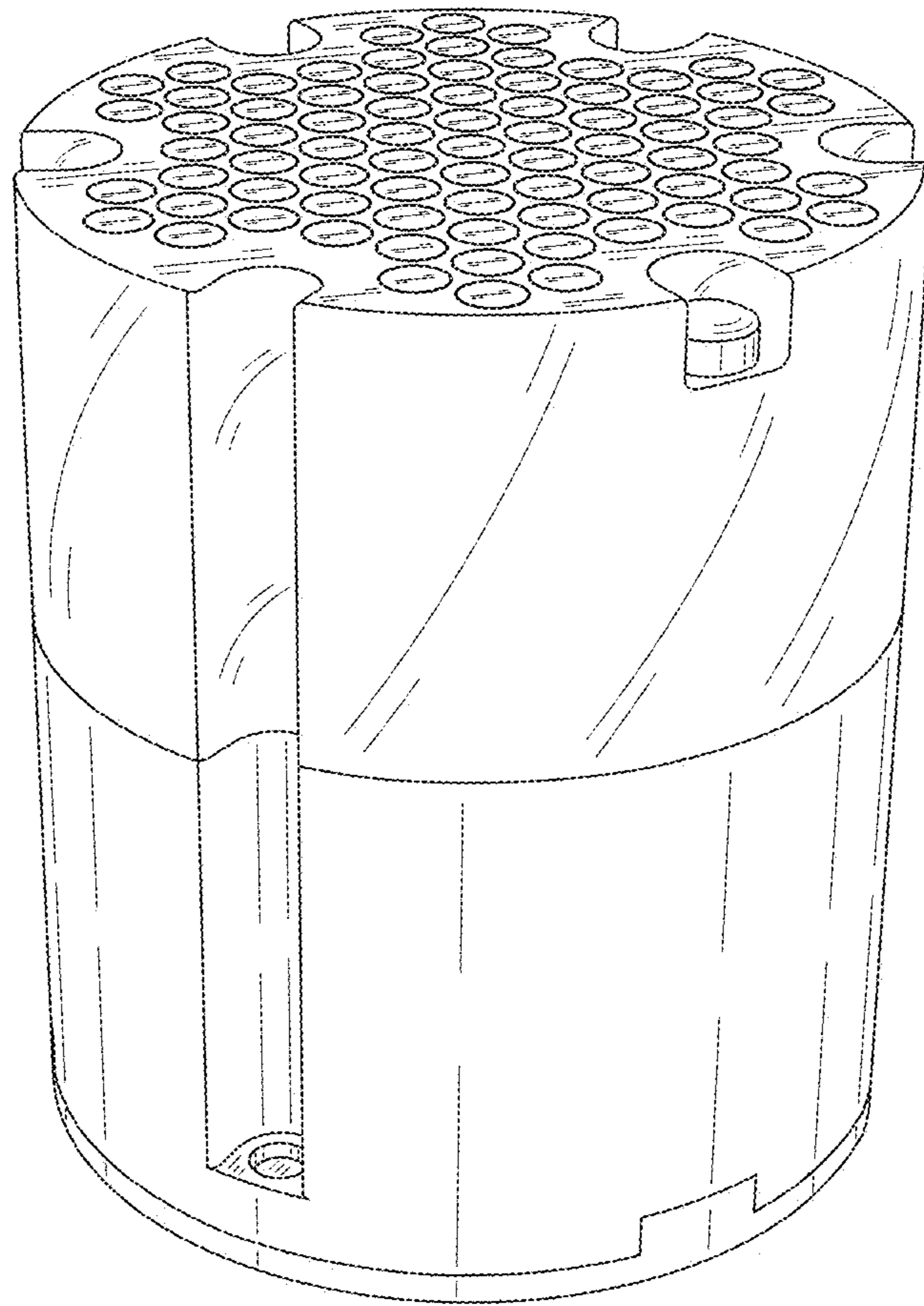


FIG. 2

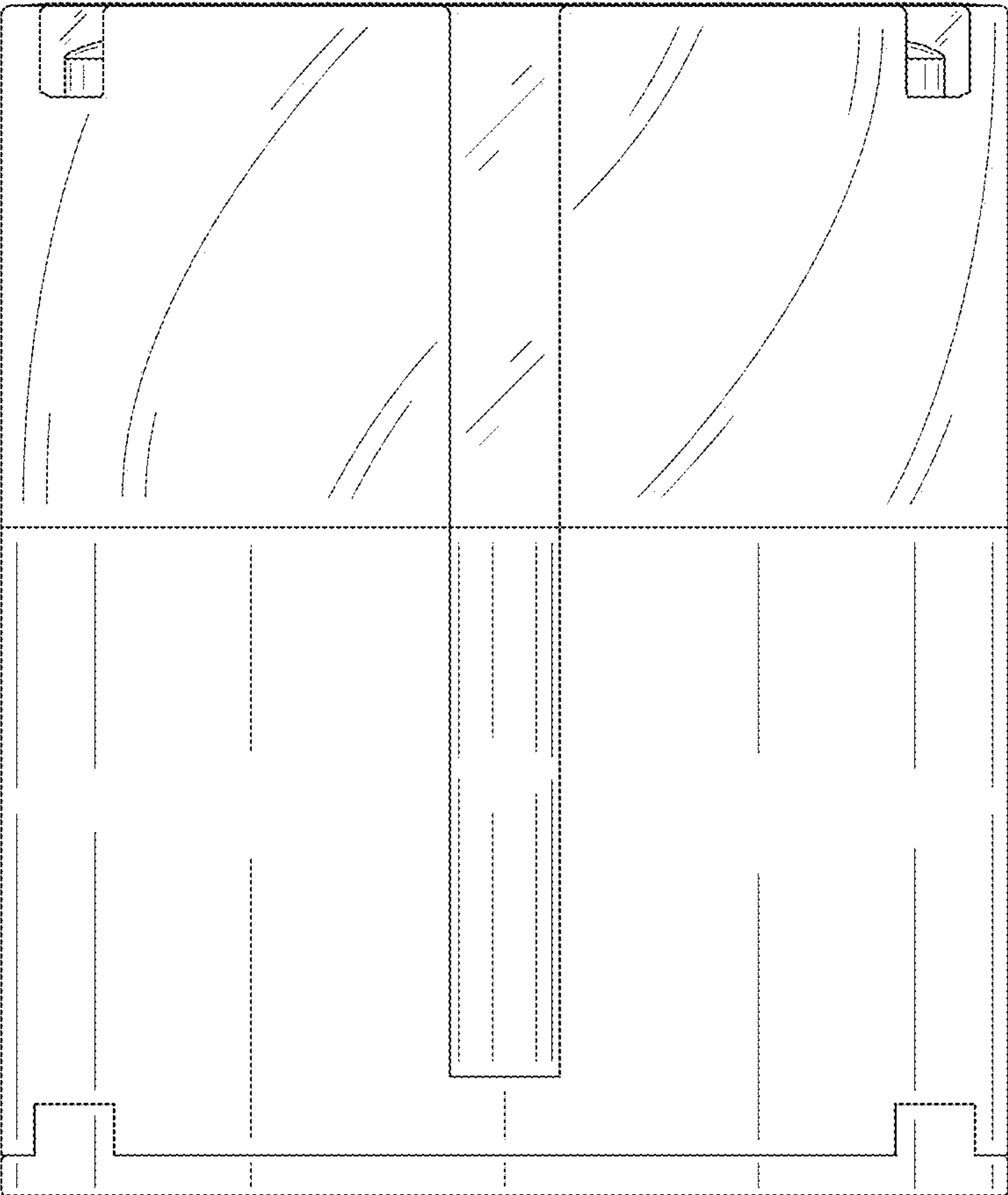


FIG. 3

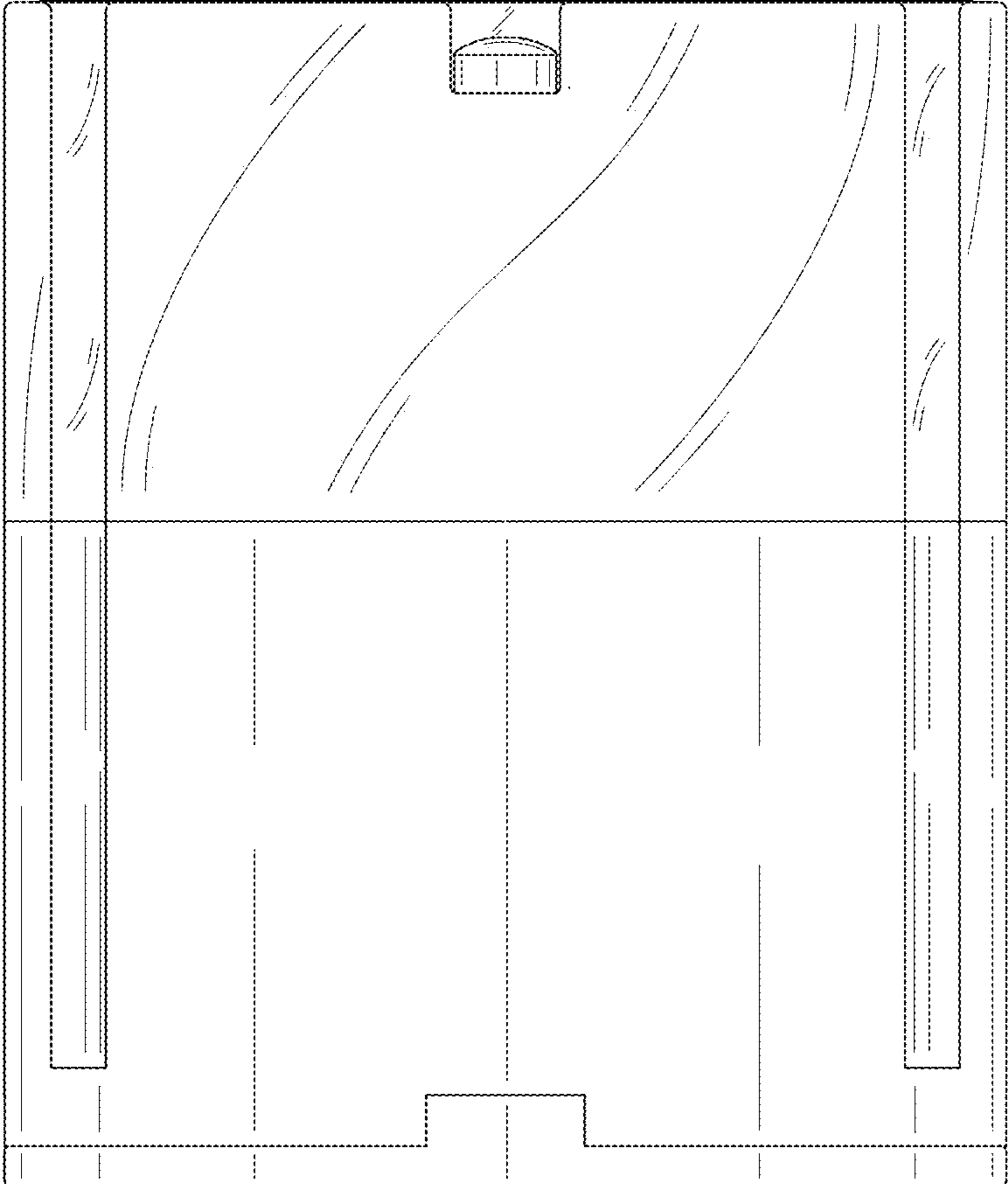


FIG. 4

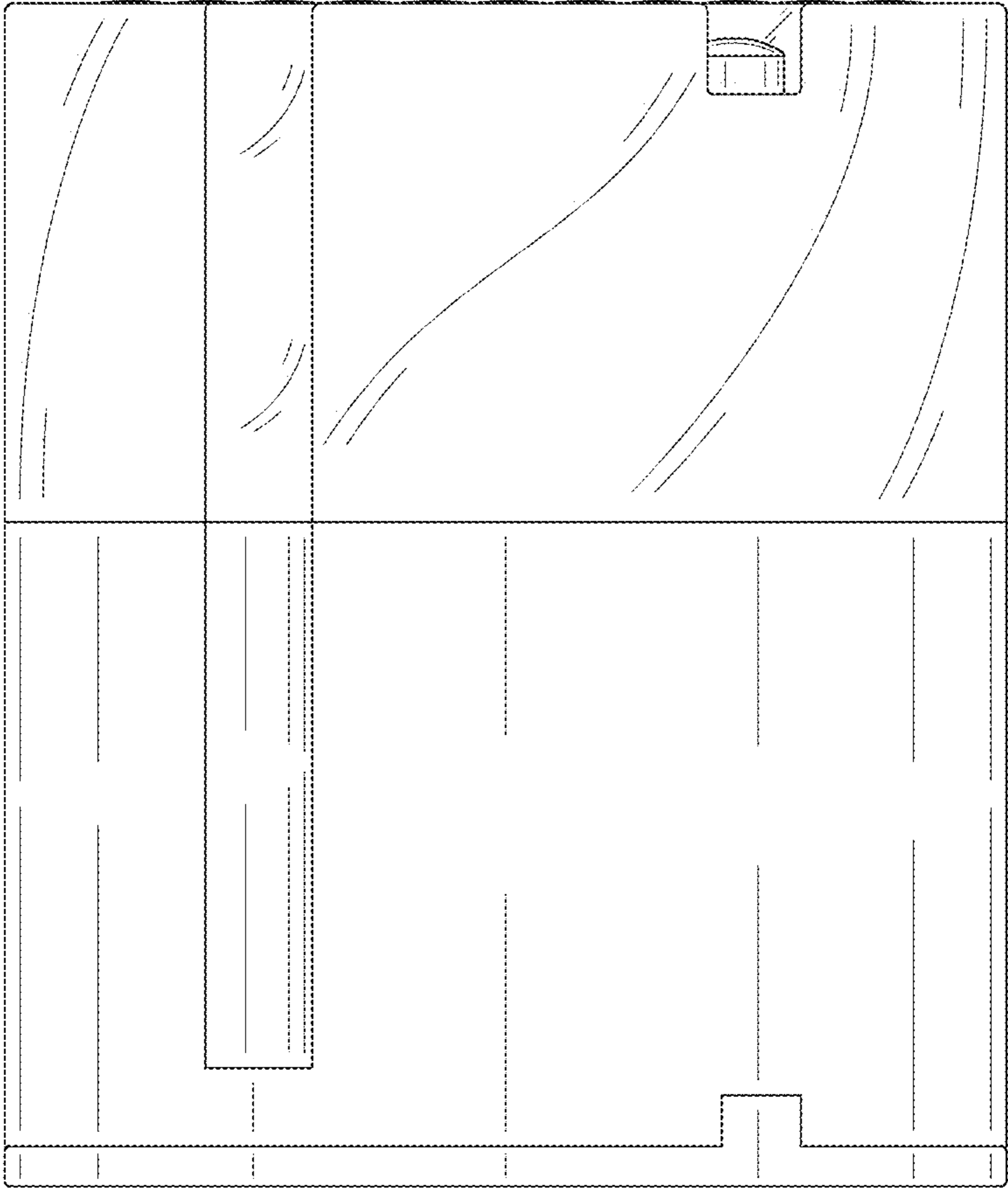


FIG. 5

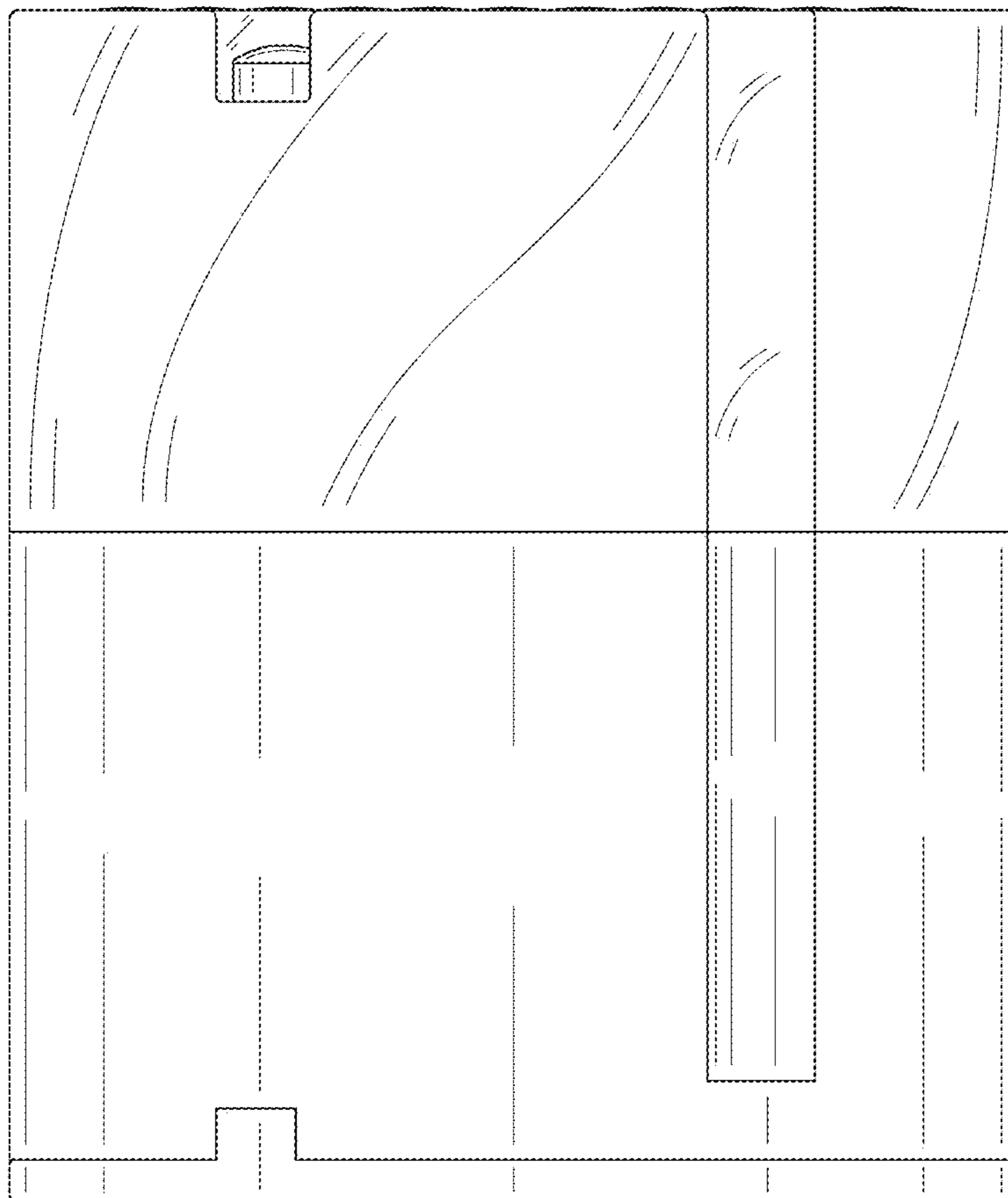


FIG. 6

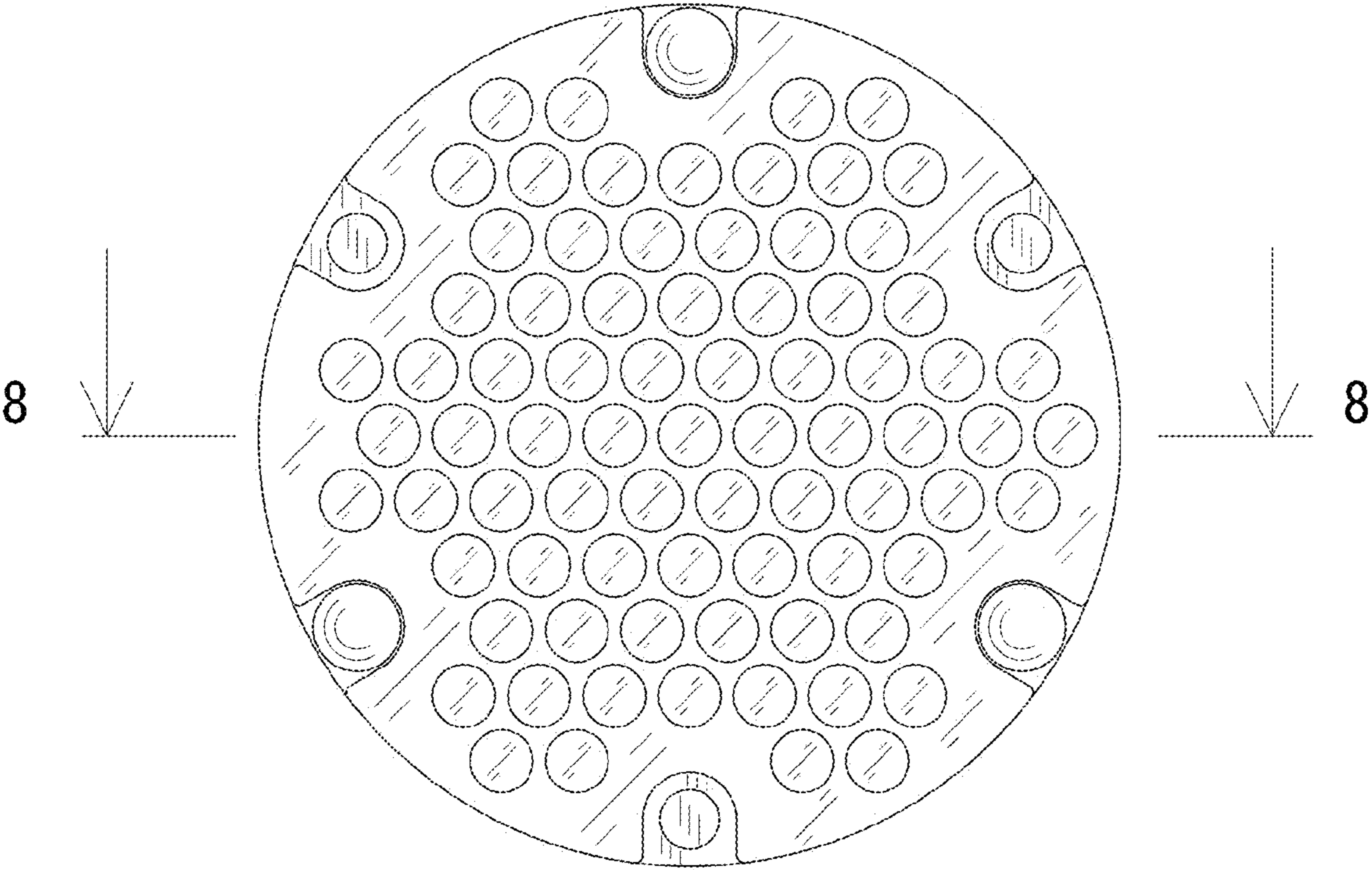


FIG. 7

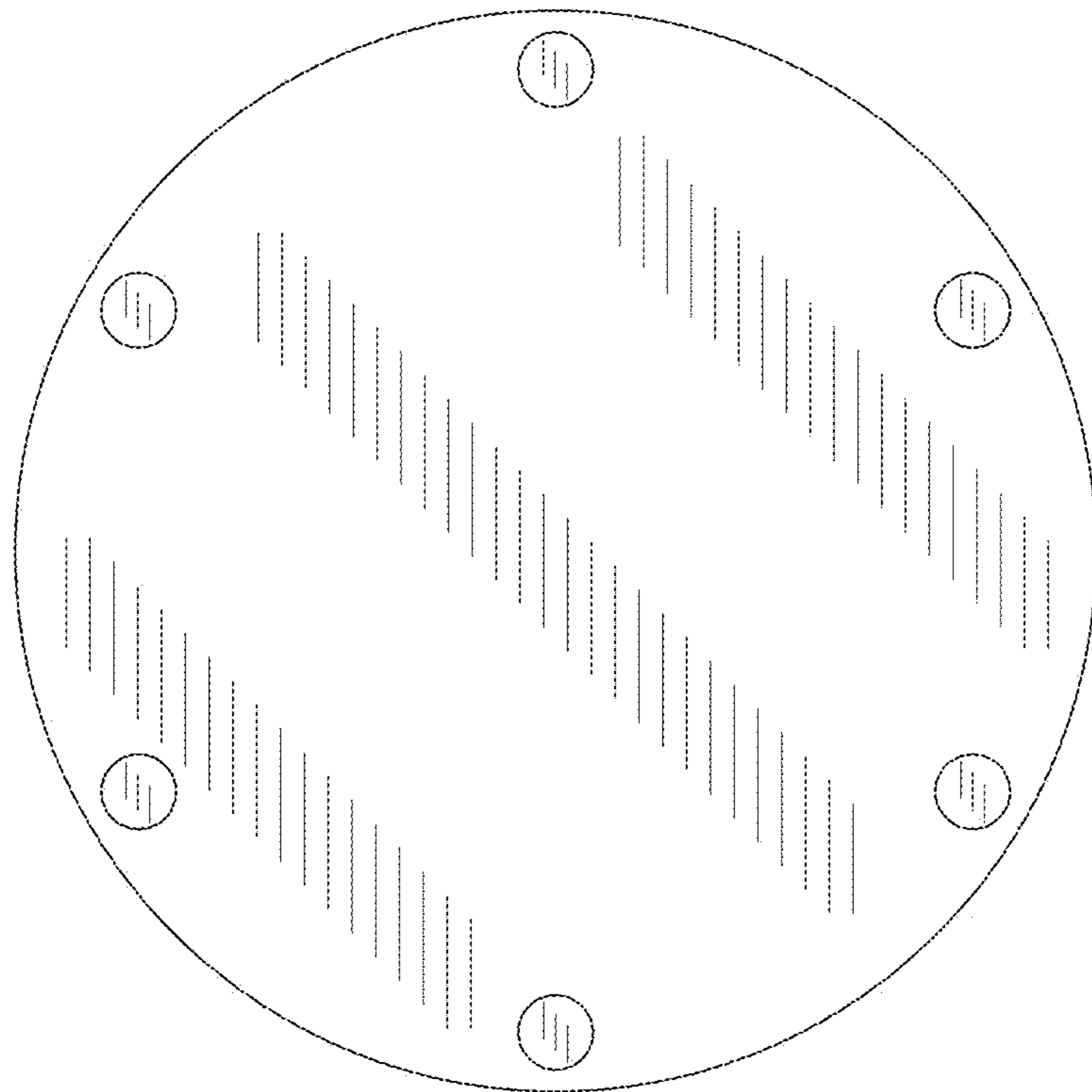




FIG. 8

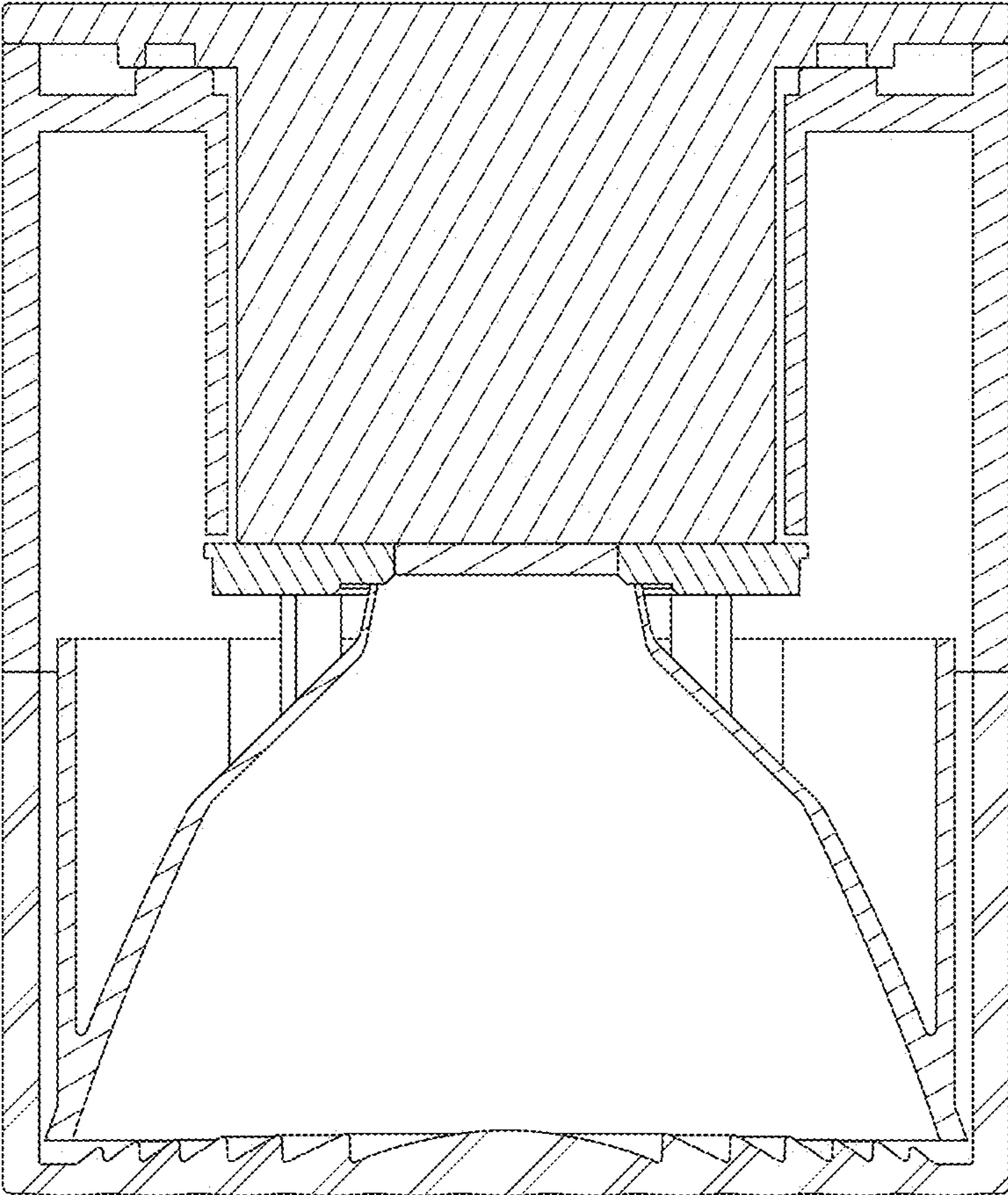


FIG. 9

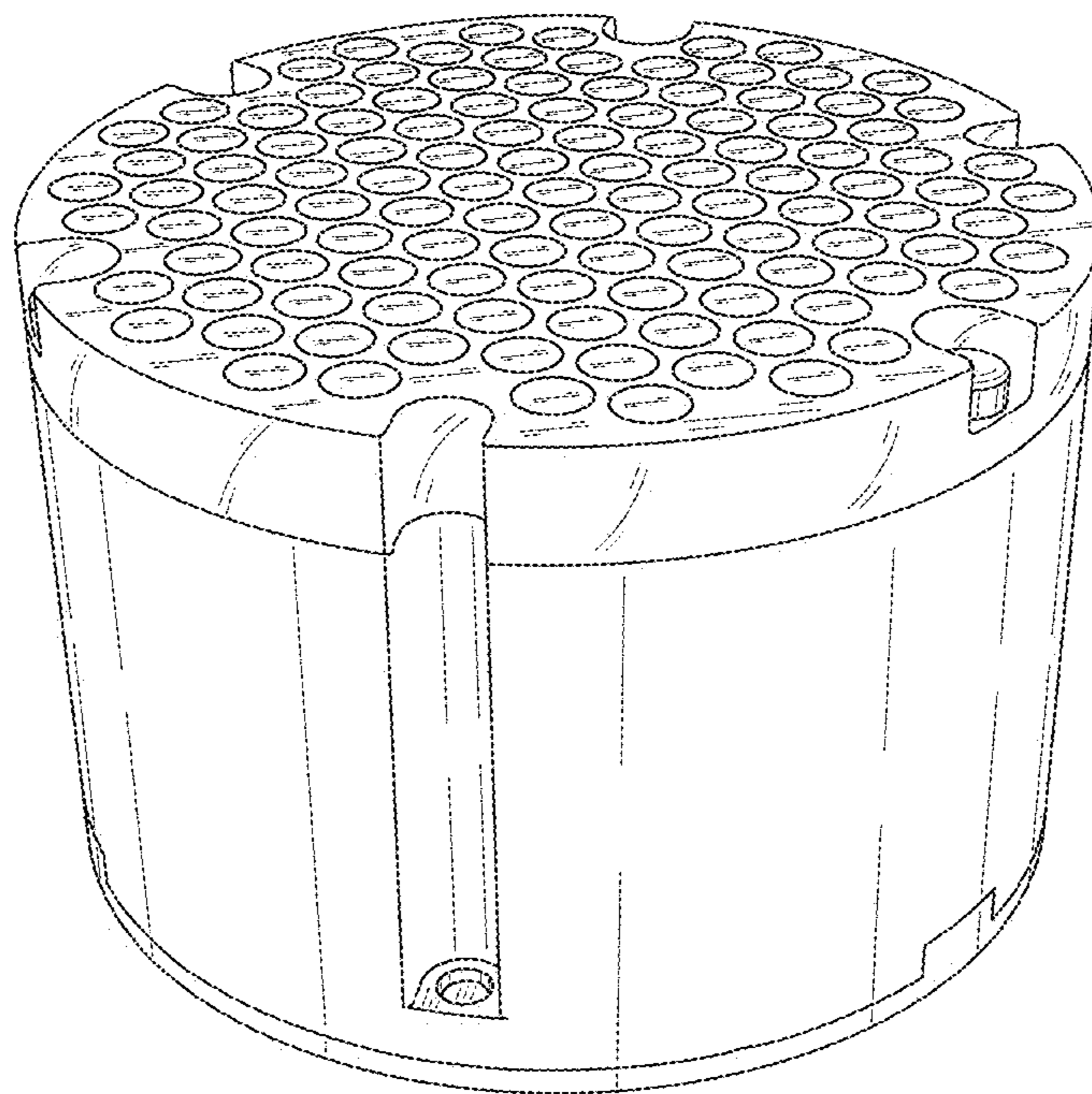


FIG. 10

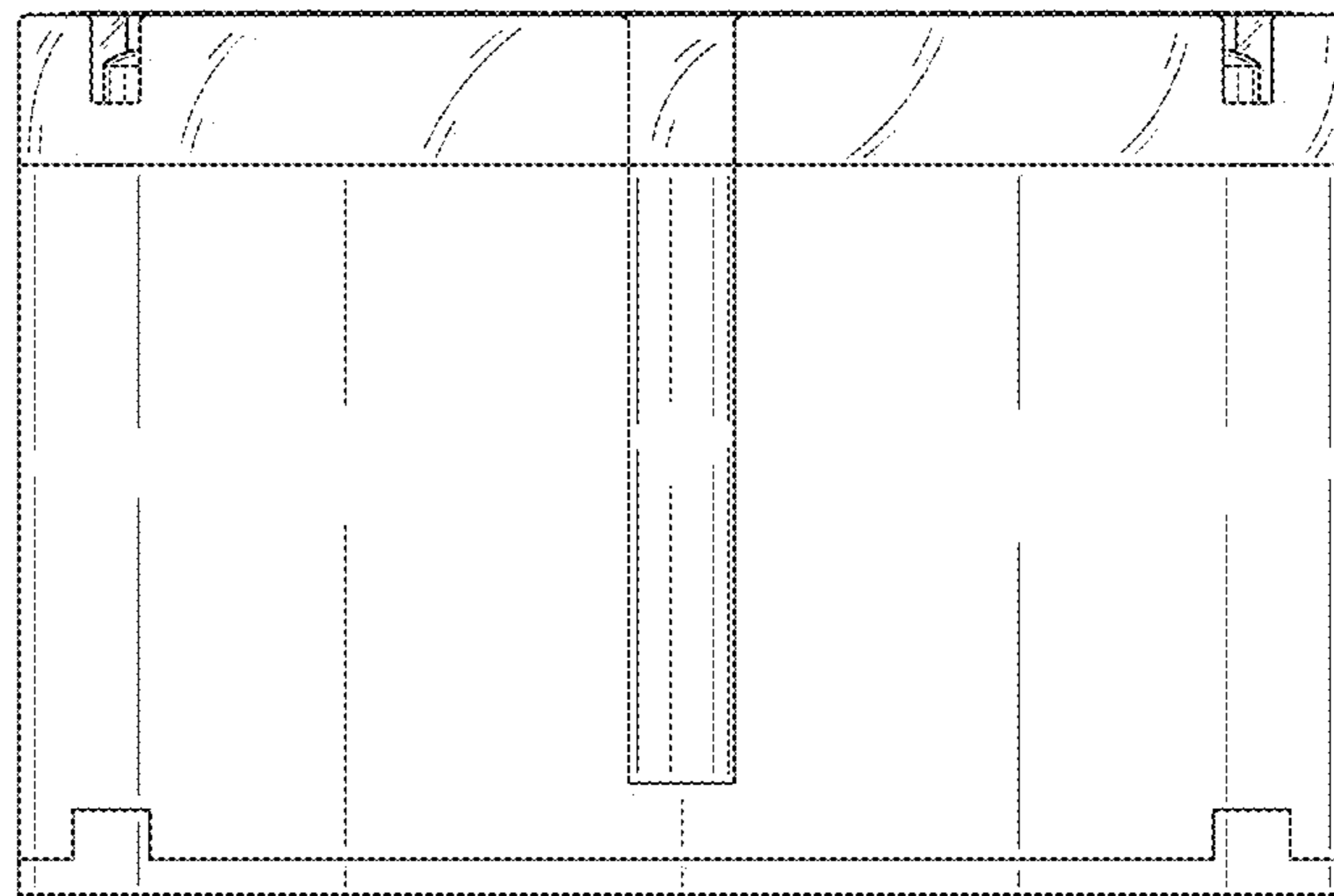


FIG. 11

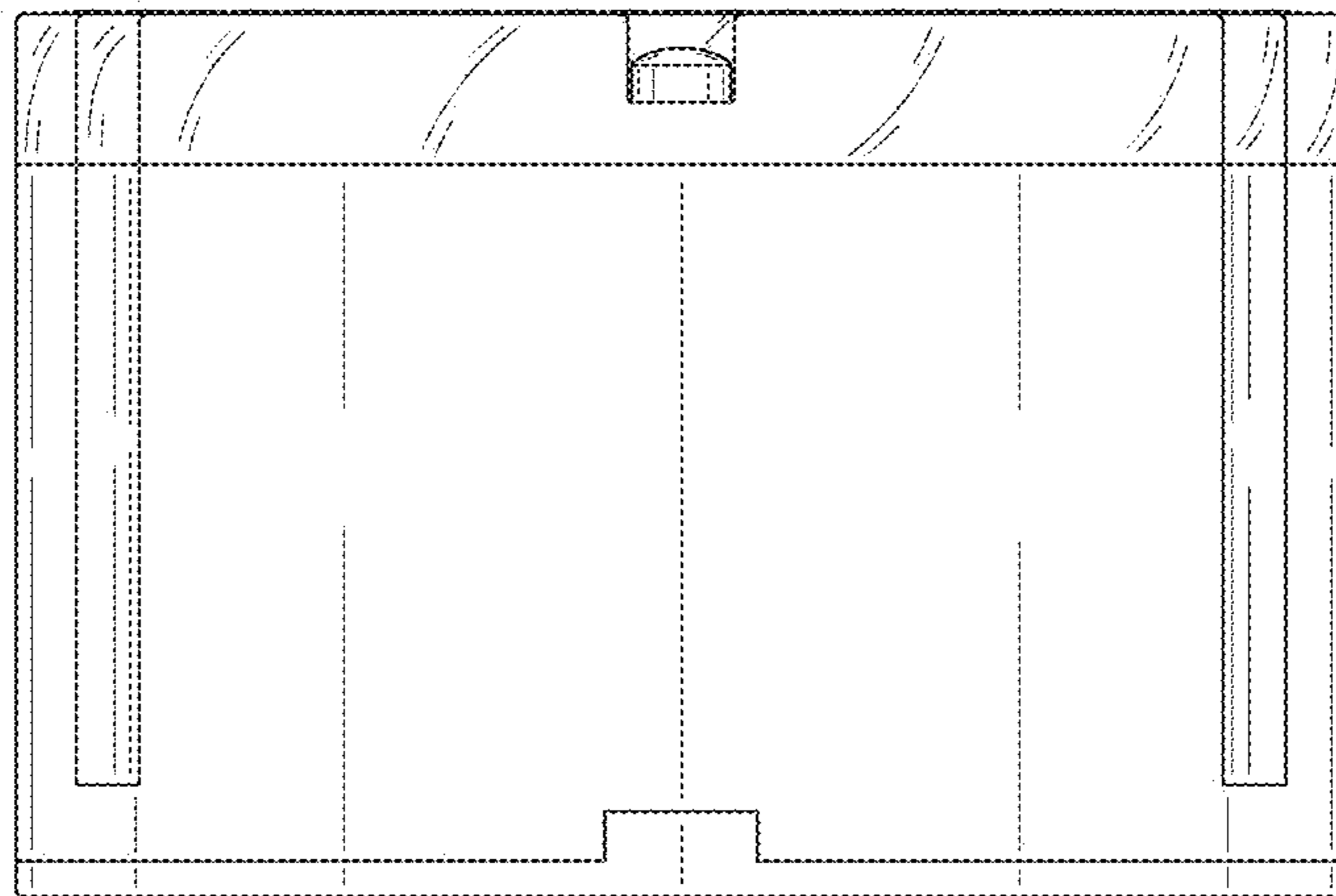


FIG. 12

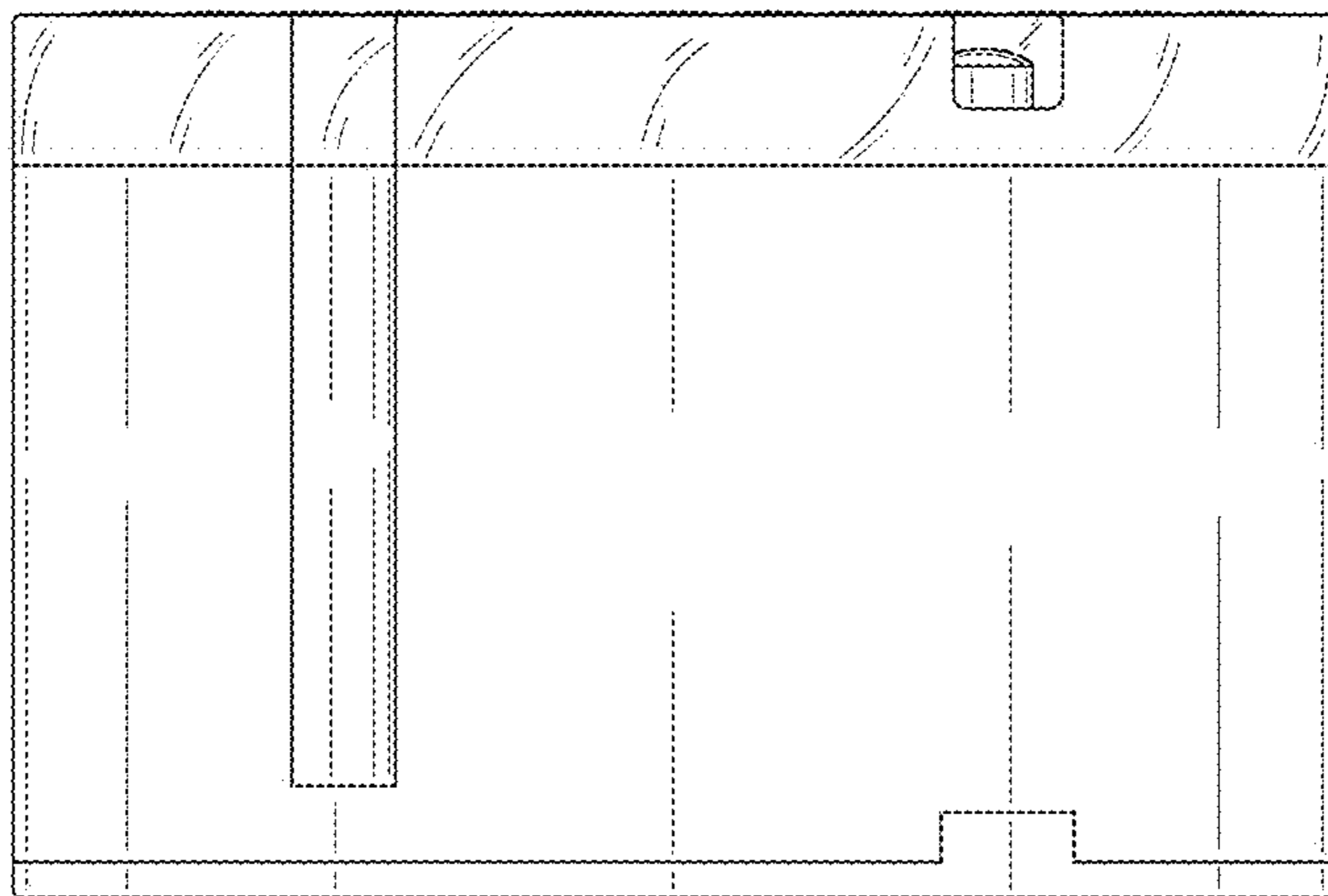


FIG. 13

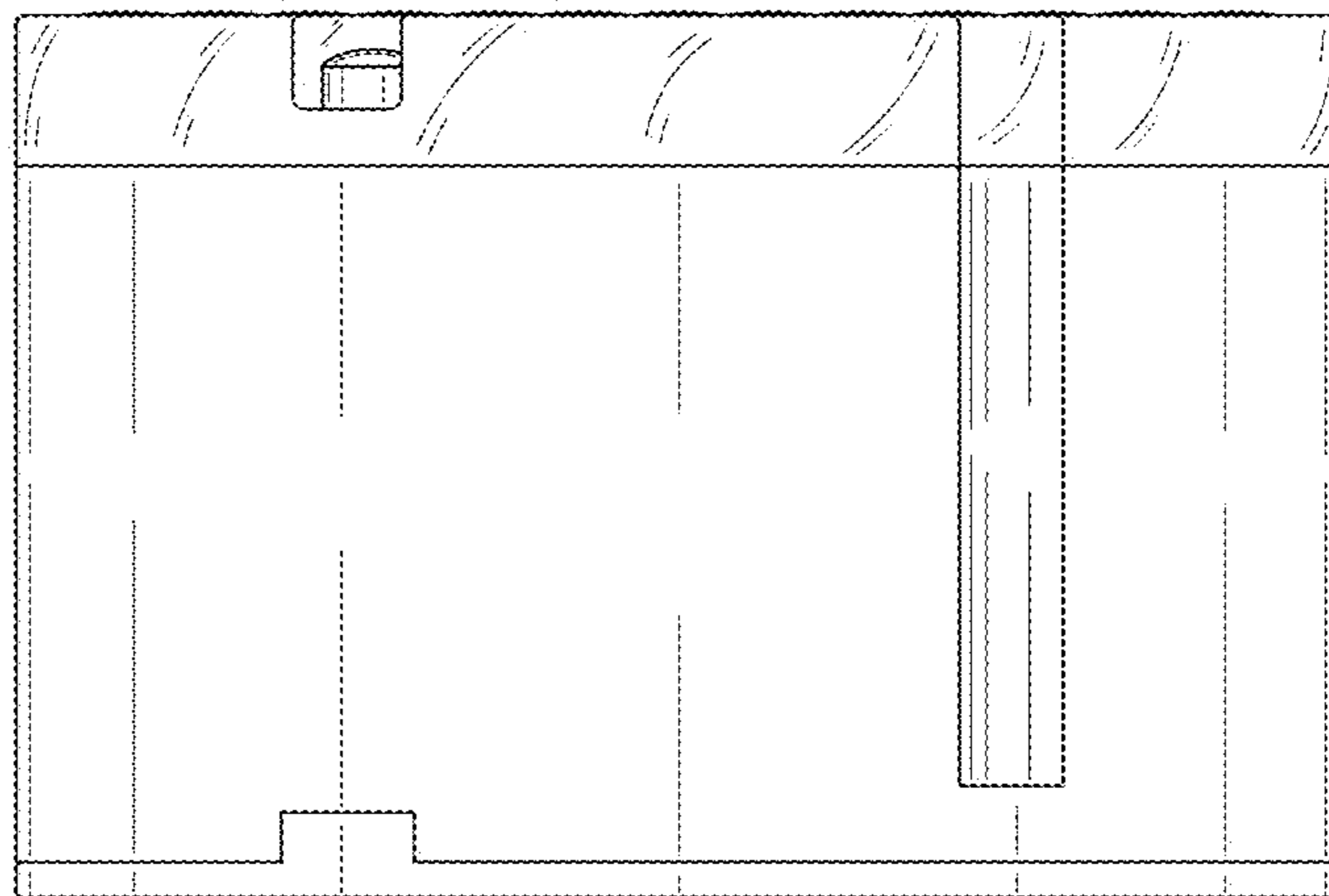


FIG. 14

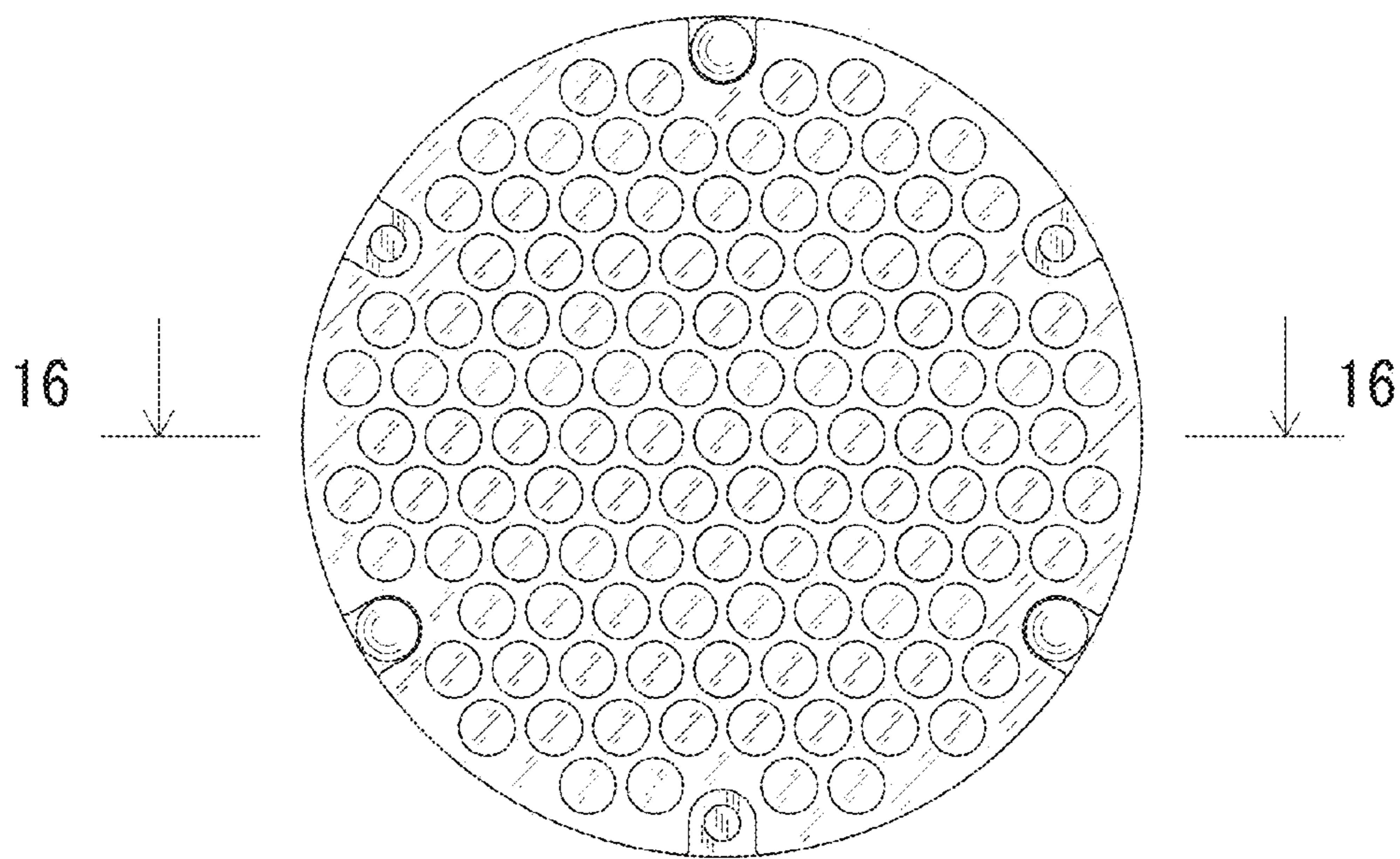


FIG. 15

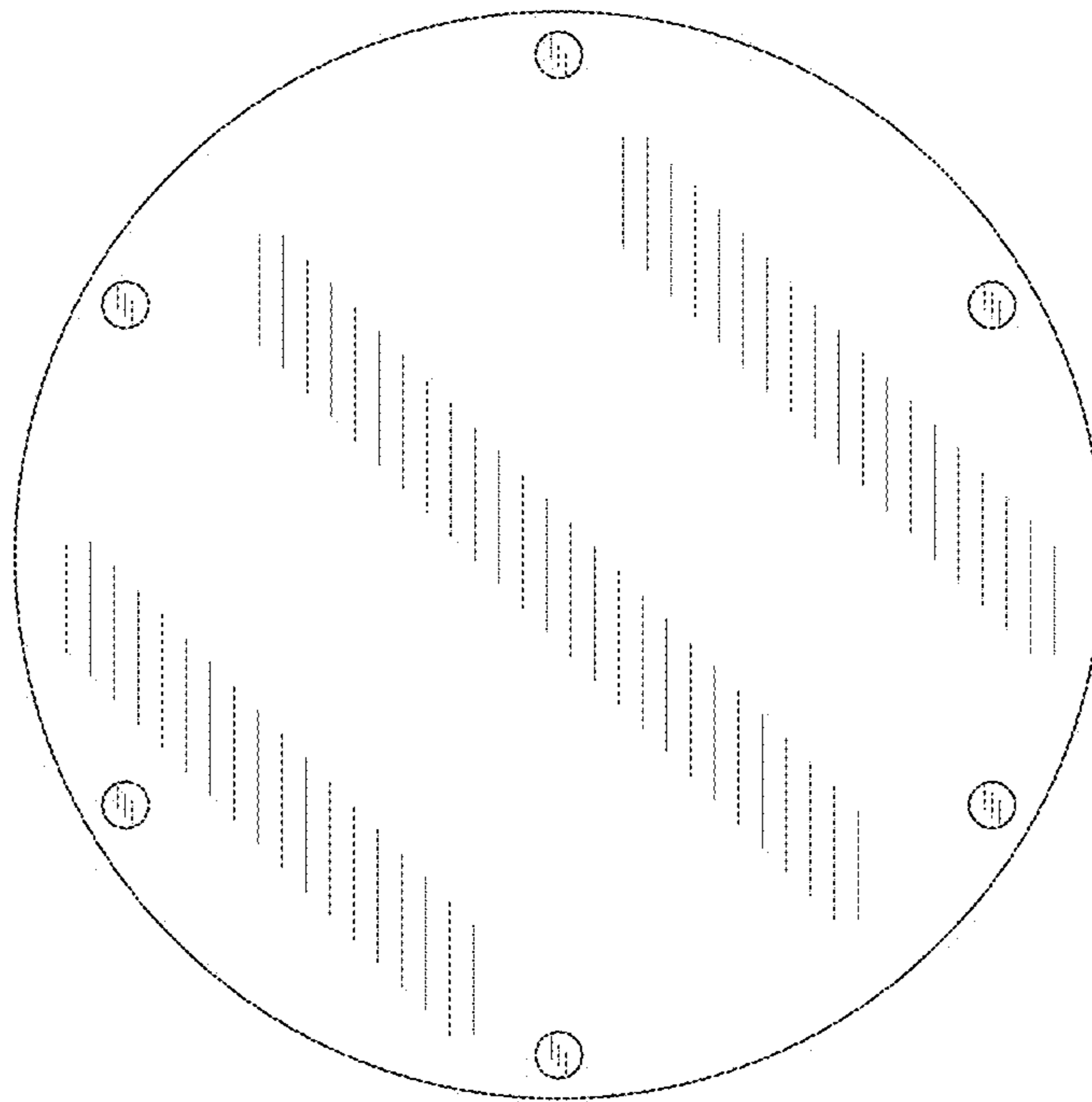




FIG. 16

