



US00D743058S

(12) **United States Design Patent**
Oonaka et al.

(10) **Patent No.:** **US D743,058 S**

(45) **Date of Patent:** **** Nov. 10, 2015**

(54) **LED BULB**

Primary Examiner — Marcus Jackson

(71) Applicant: **mitsubishi chemical corporation**, Tokyo (JP)

(74) *Attorney, Agent, or Firm* — Oblon, McClelland, Maier & Neustadt, L.L.P.

(72) Inventors: **Shuuji Oonaka**, Tokyo (JP); **Kouta Yoshizawa**, Tokyo (JP); **Keisuke Tajima**, Tokyo (JP)

(57) **CLAIM**

The ornamental design for an LED bulb, as shown and described.

(73) Assignee: **mitsubishi chemical corporation**, Tokyo (JP)

DESCRIPTION

(**) Term: **14 Years**

(21) Appl. No.: **29/496,208**

(22) Filed: **Jul. 10, 2014**

(51) **LOC (10) Cl.** **26-04**

(52) **U.S. Cl.**
USPC **D26/2**

(58) **Field of Classification Search**
USPC D26/1-4; 313/313, 315, 316, 317, 318,
313/493; 315/52, 53, 56, 57, 58
See application file for complete search history.

FIG. 1 is a perspective view of front and top sides of an LED bulb according to a first embodiment showing our new design;
FIG. 2 is a front view thereof;
FIG. 3 is a rear view thereof;
FIG. 4 is a left side view thereof;
FIG. 5 is a right side view thereof;
FIG. 6 is a top view thereof and,
FIG. 7 is a bottom view thereof;
FIG. 8 is a perspective view of front and top sides of an LED bulb according to a second embodiment showing our new design;
FIG. 9 is a front view thereof;
FIG. 10 is a rear view thereof;
FIG. 11 is a left side view thereof;
FIG. 12 is a right side view thereof;
FIG. 13 is a top view thereof; and,
FIG. 14 is a bottom view thereof.

The broken lines shown are included for the purpose of illustrating the unclaimed portions of an LED bulb and form no part of the claimed design. The different shading techniques used depict a contrast of appearance only and does not represent a particular color, material, or texture.

(56) **References Cited**

U.S. PATENT DOCUMENTS

D443,703 S *	6/2001	Sood	D26/2
D506,840 S *	6/2005	Van de Ven et al.	D26/2
D528,674 S *	9/2006	Gonzalez	D26/2
D538,953 S *	3/2007	Mama	D26/2
D540,961 S *	4/2007	Hrubowchak et al.	D26/2
D548,369 S *	8/2007	Bembridge et al.	D26/2
D550,864 S *	9/2007	Hernandez et al.	D26/2

* cited by examiner

1 Claim, 12 Drawing Sheets

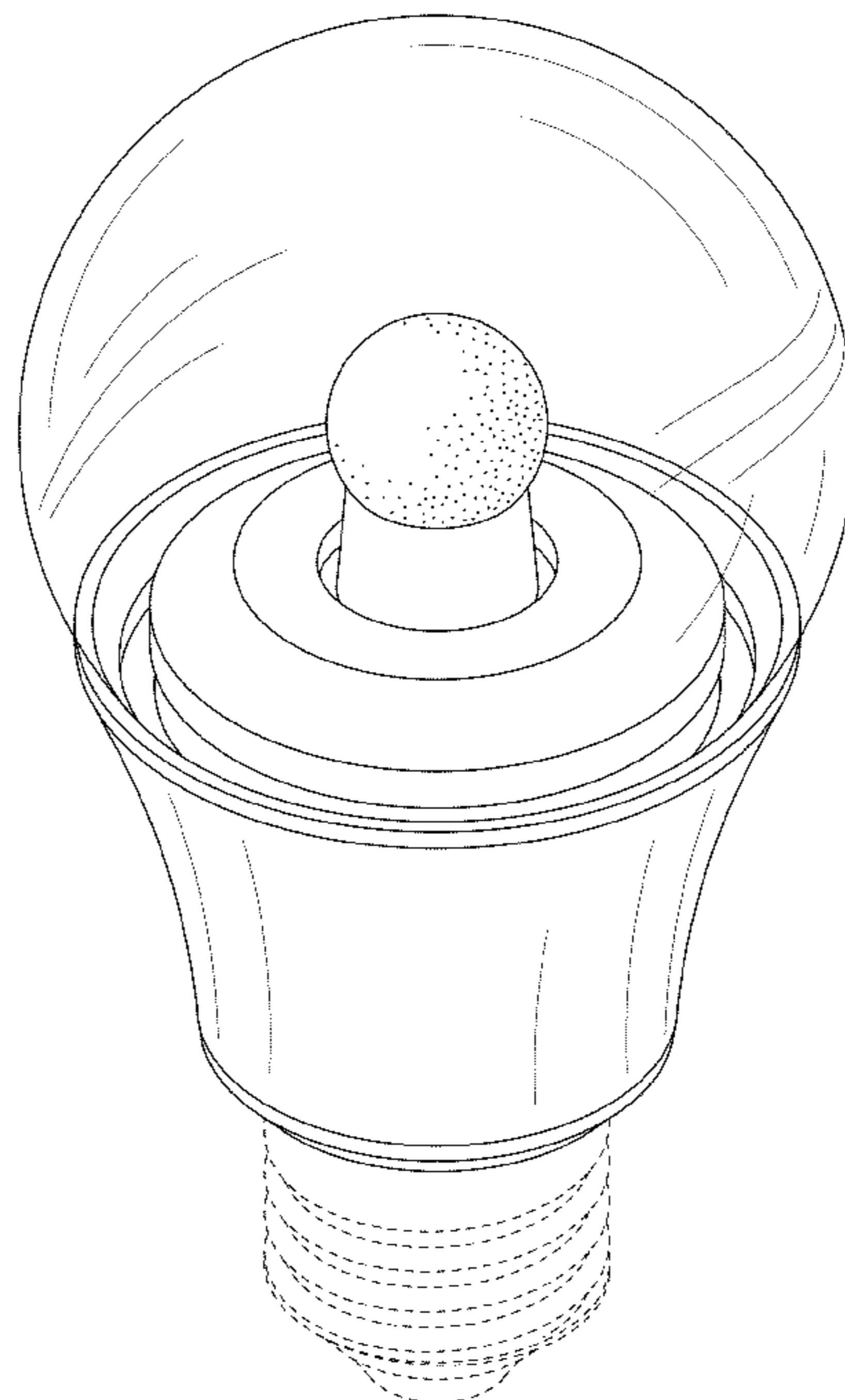


Fig. 1

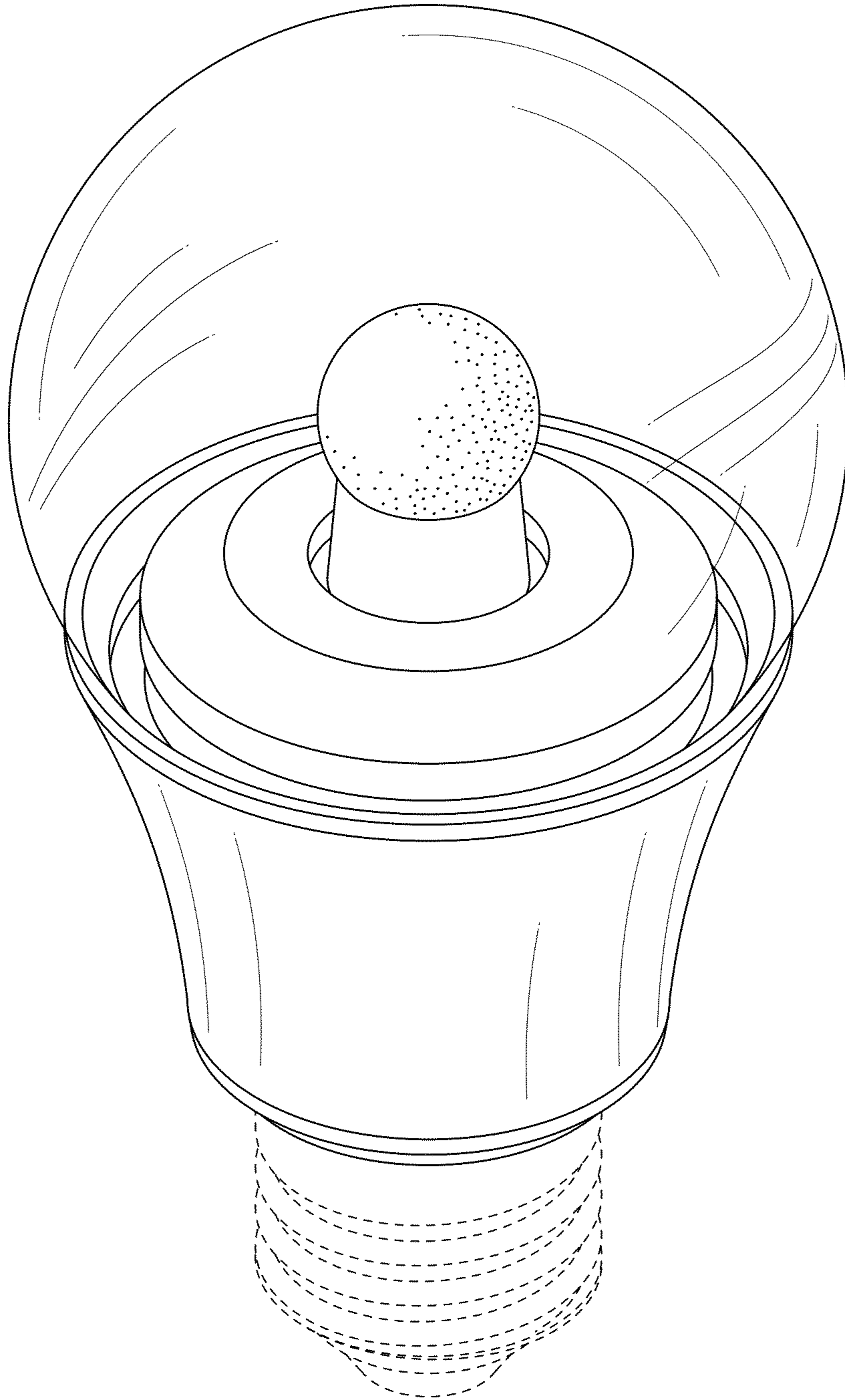


Fig. 2

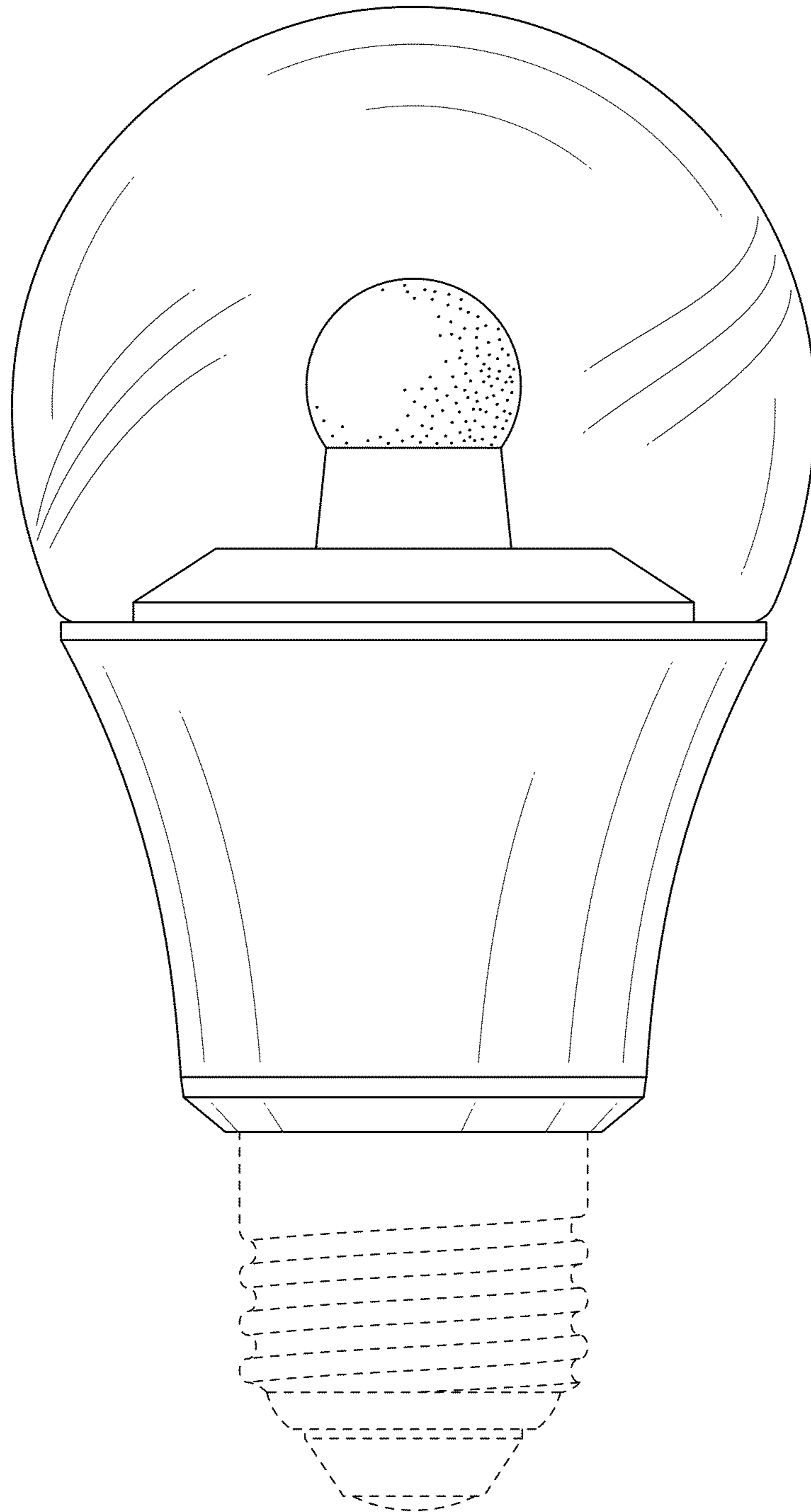


Fig. 3

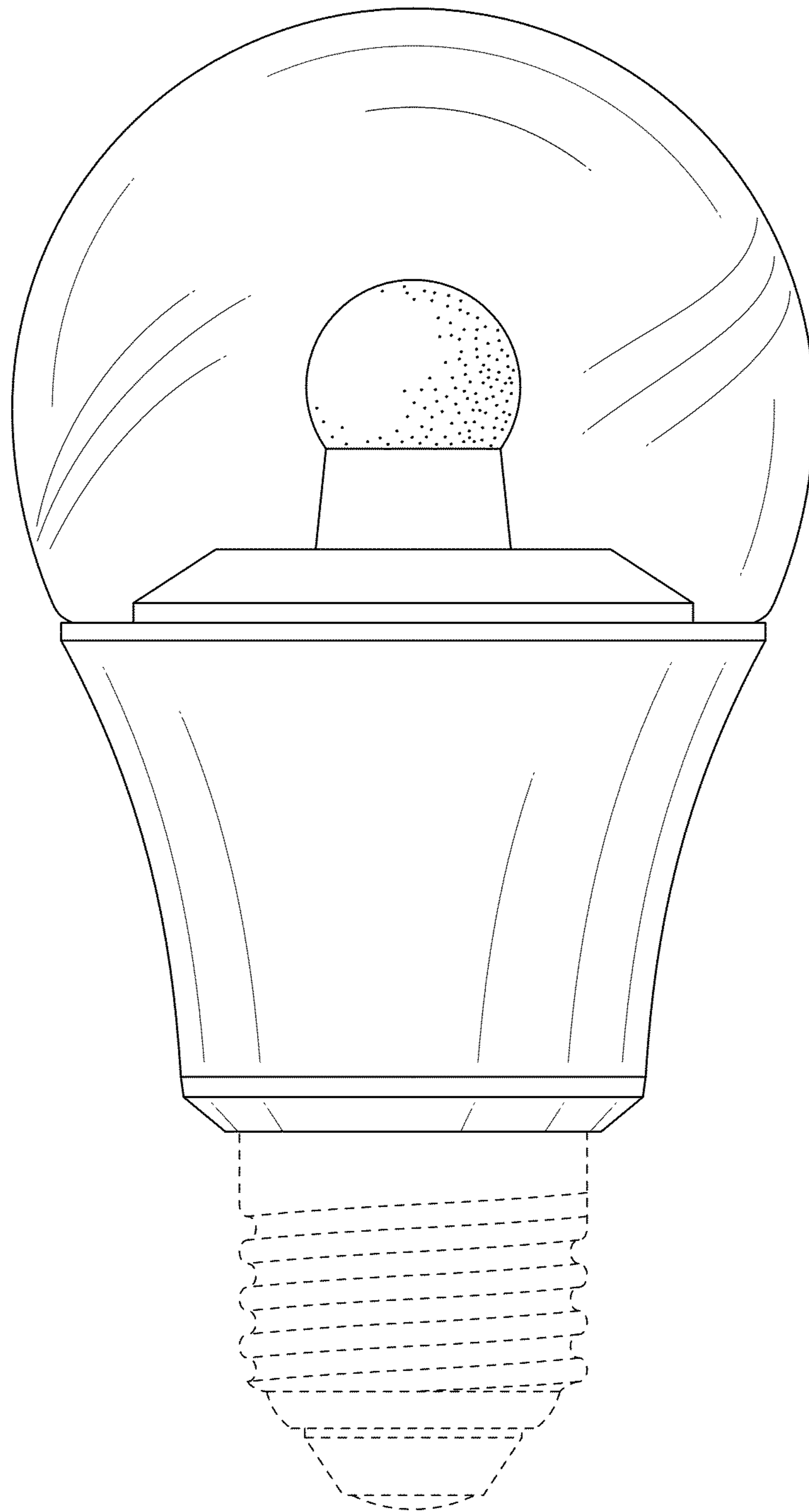


Fig. 4

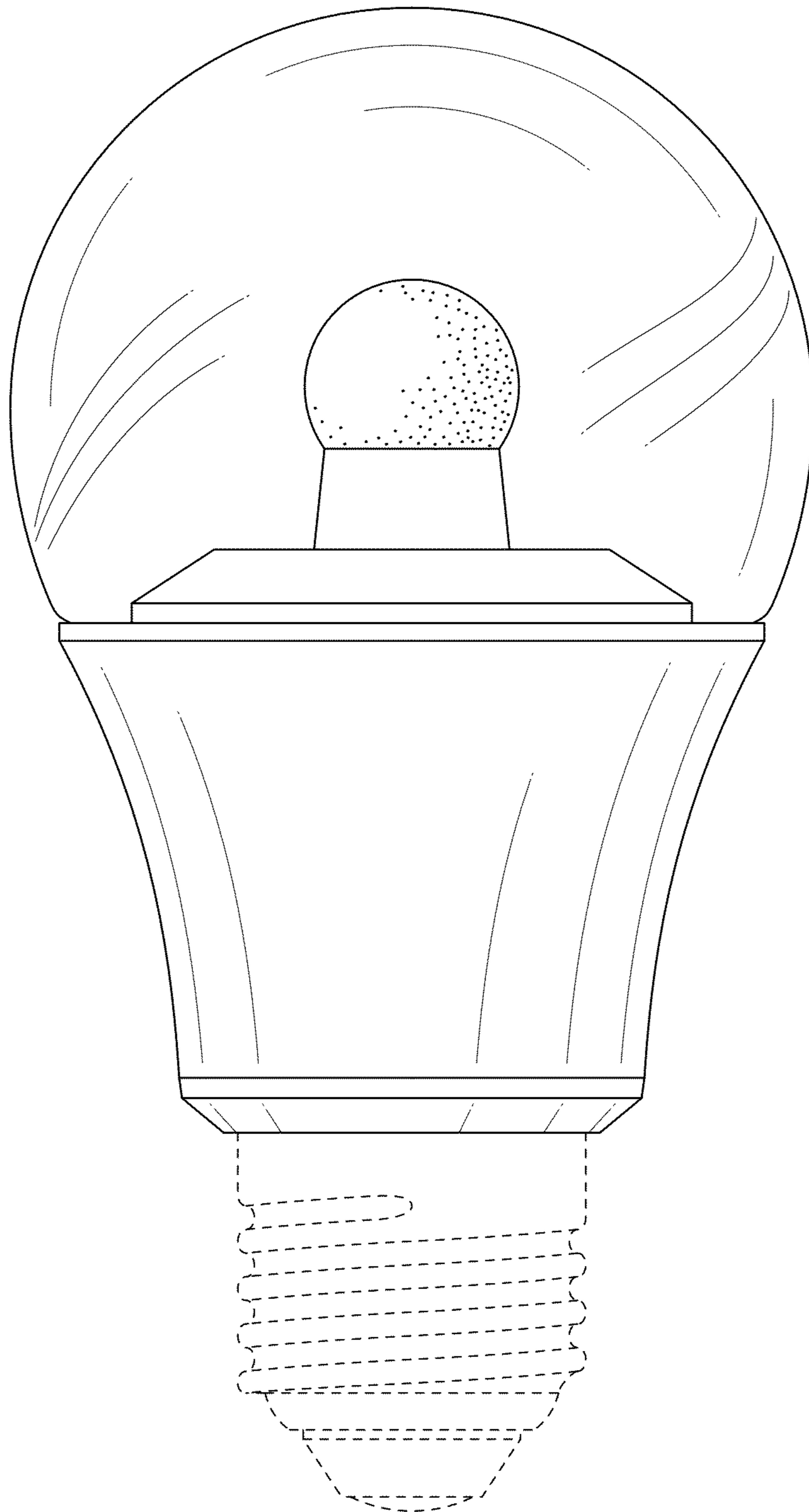


Fig. 5

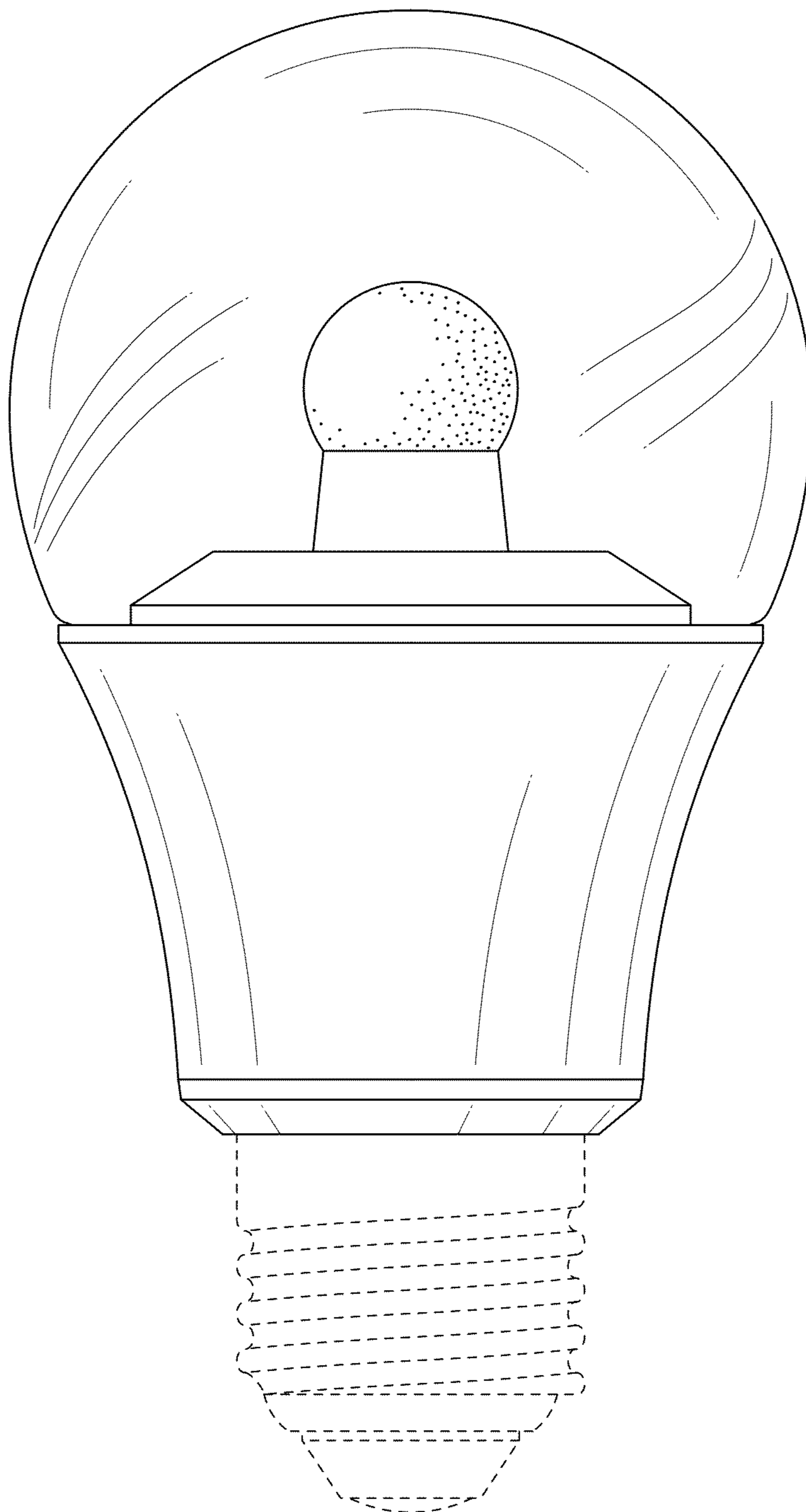


Fig. 6

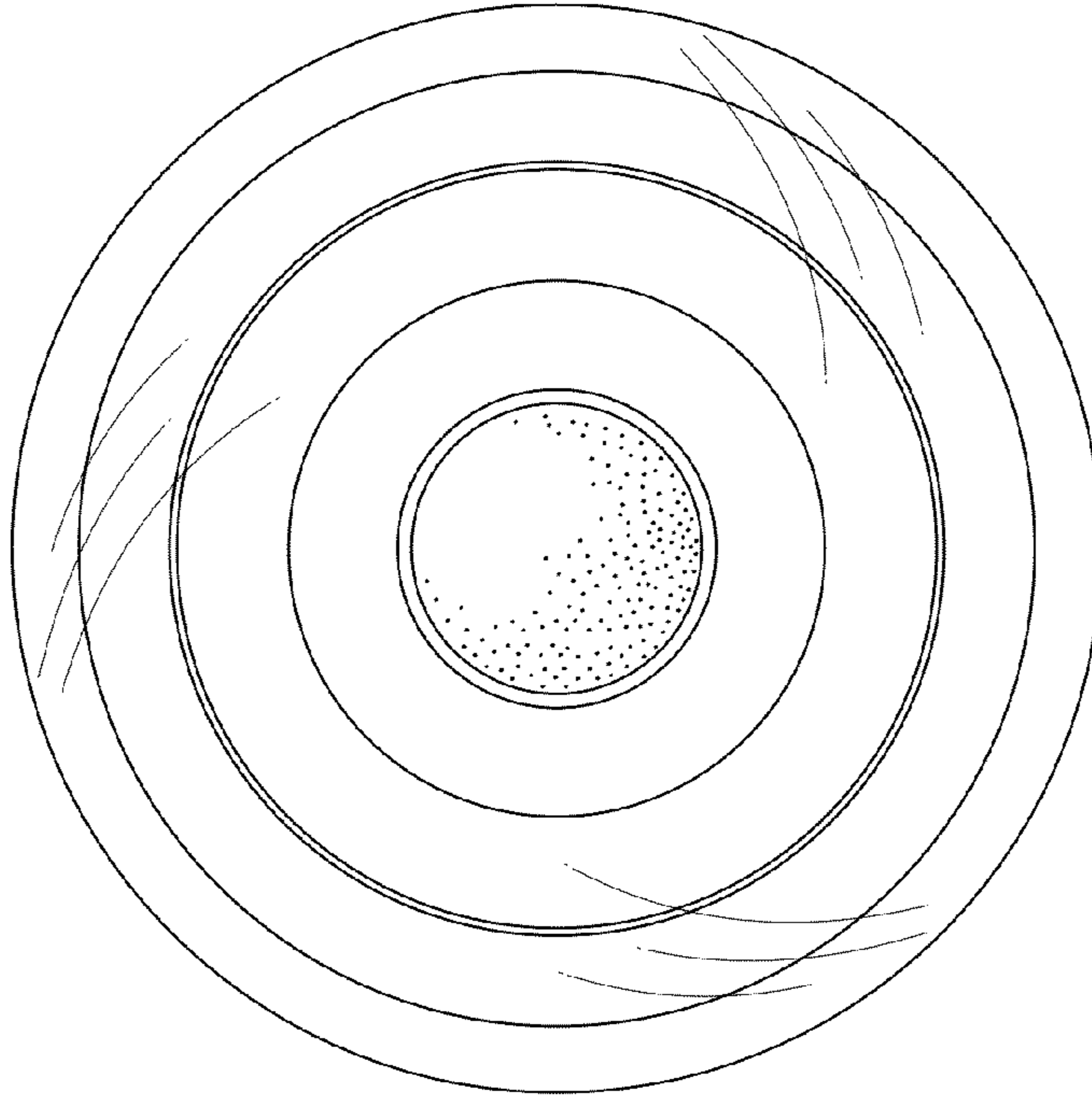


Fig. 7

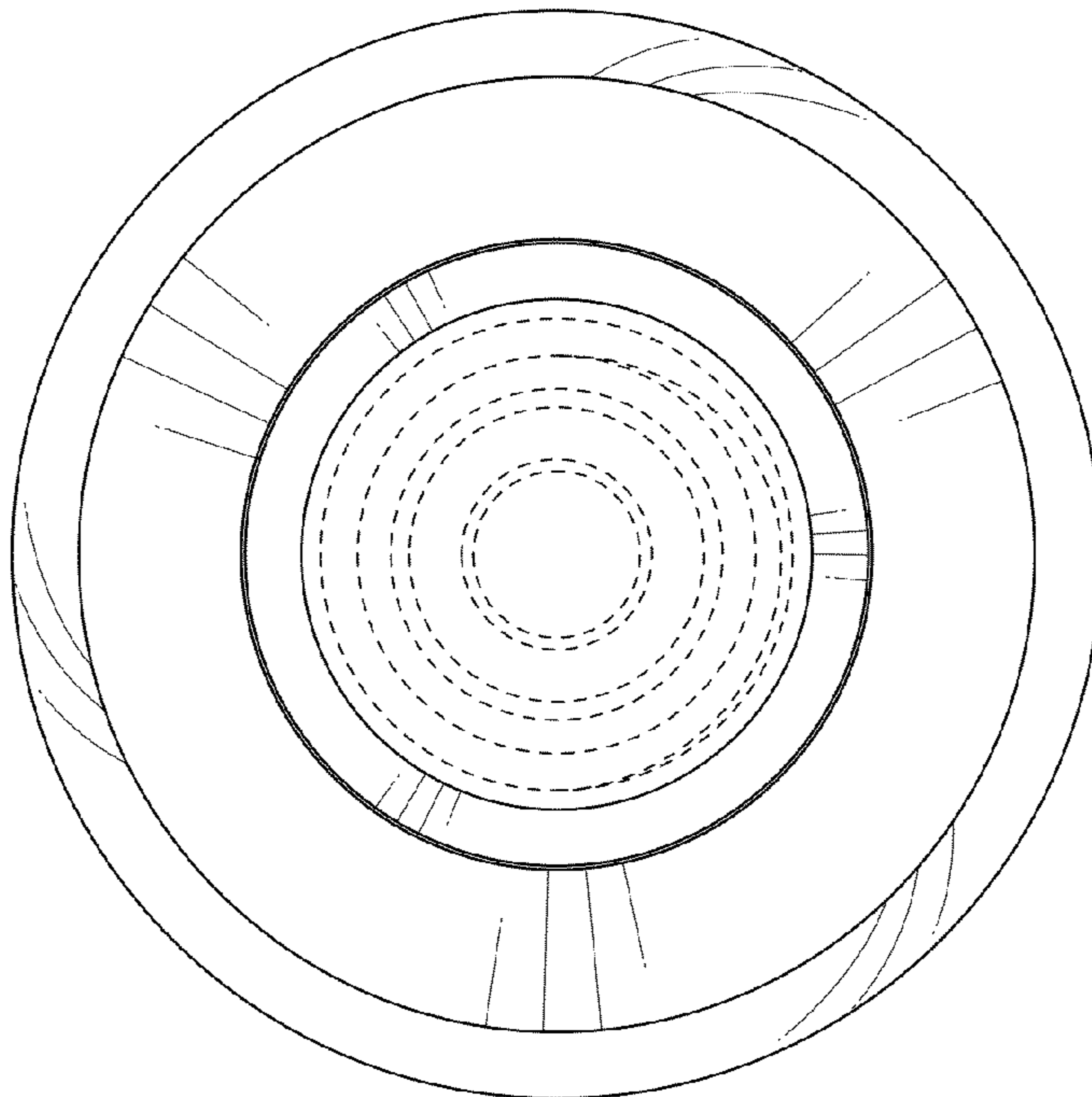


Fig. 8

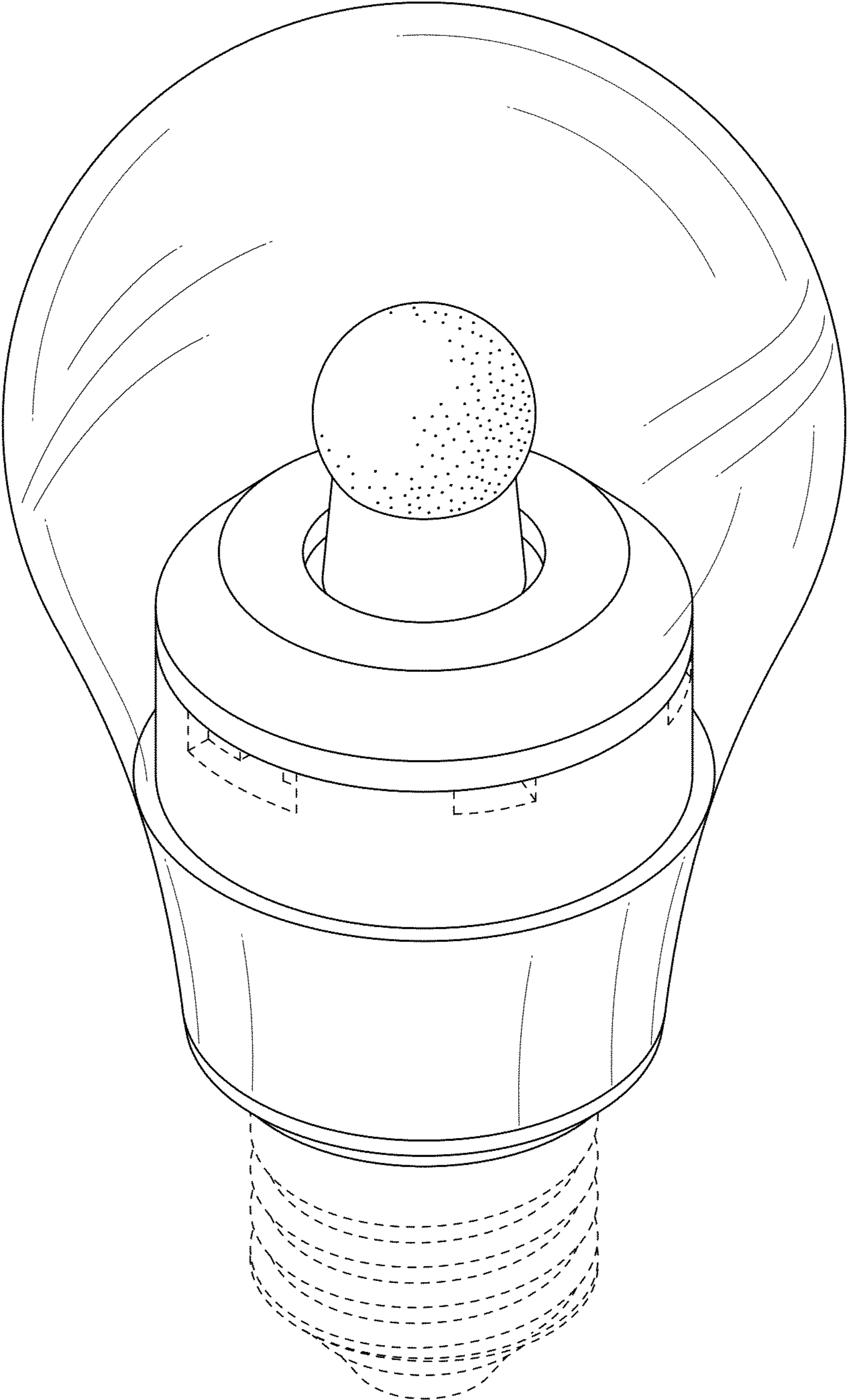


Fig. 9

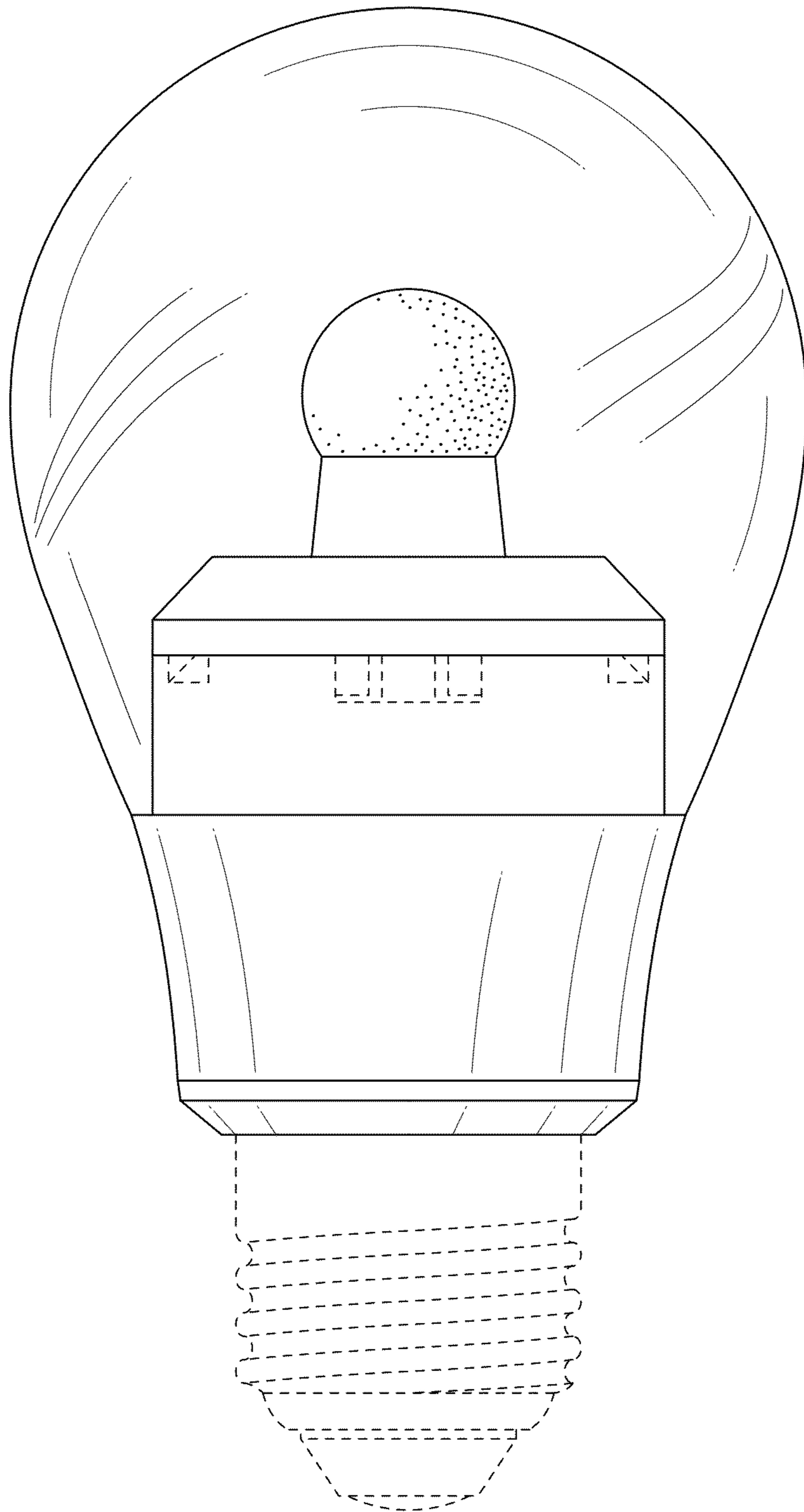


Fig. 10

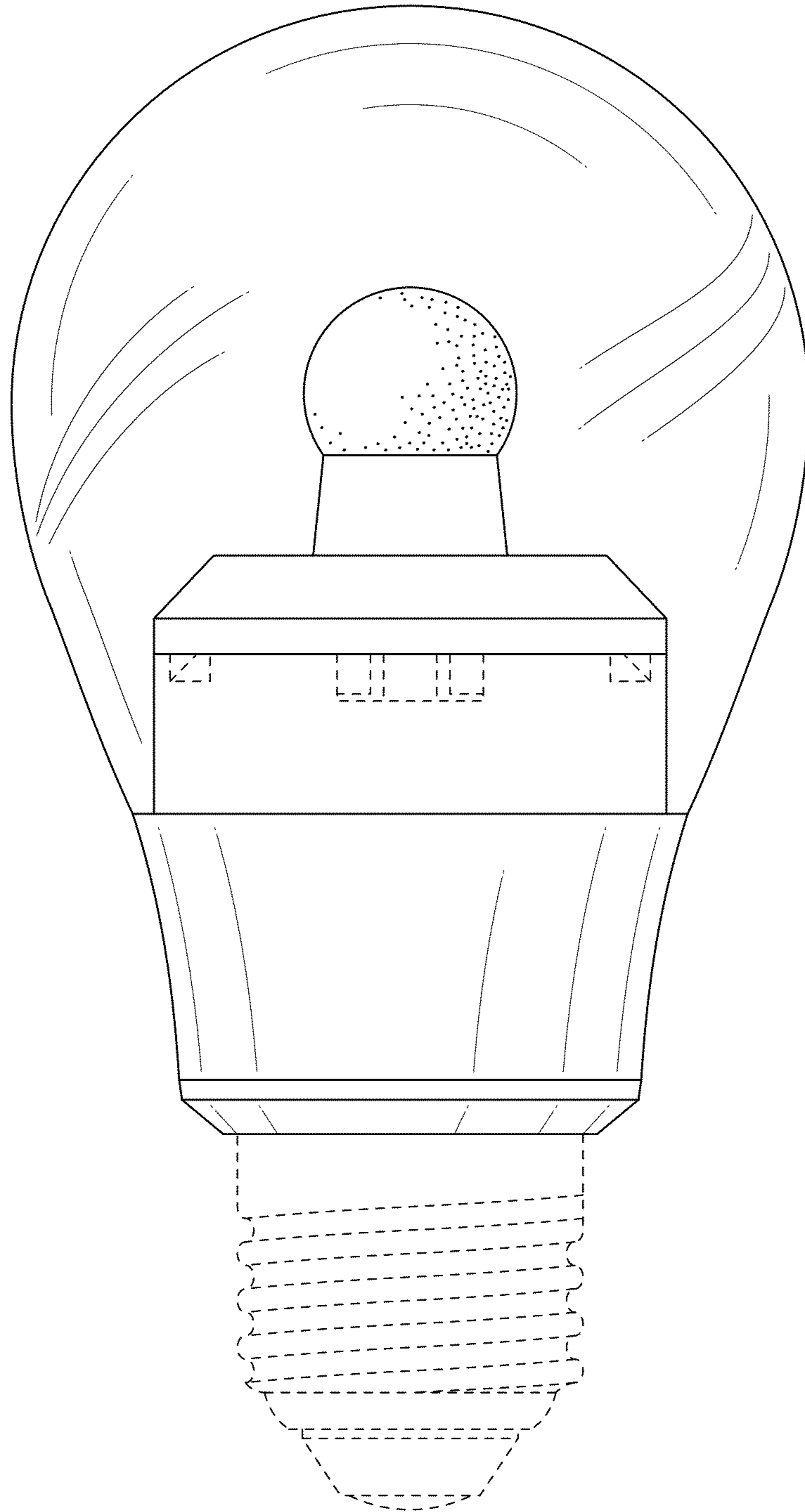


Fig. 11

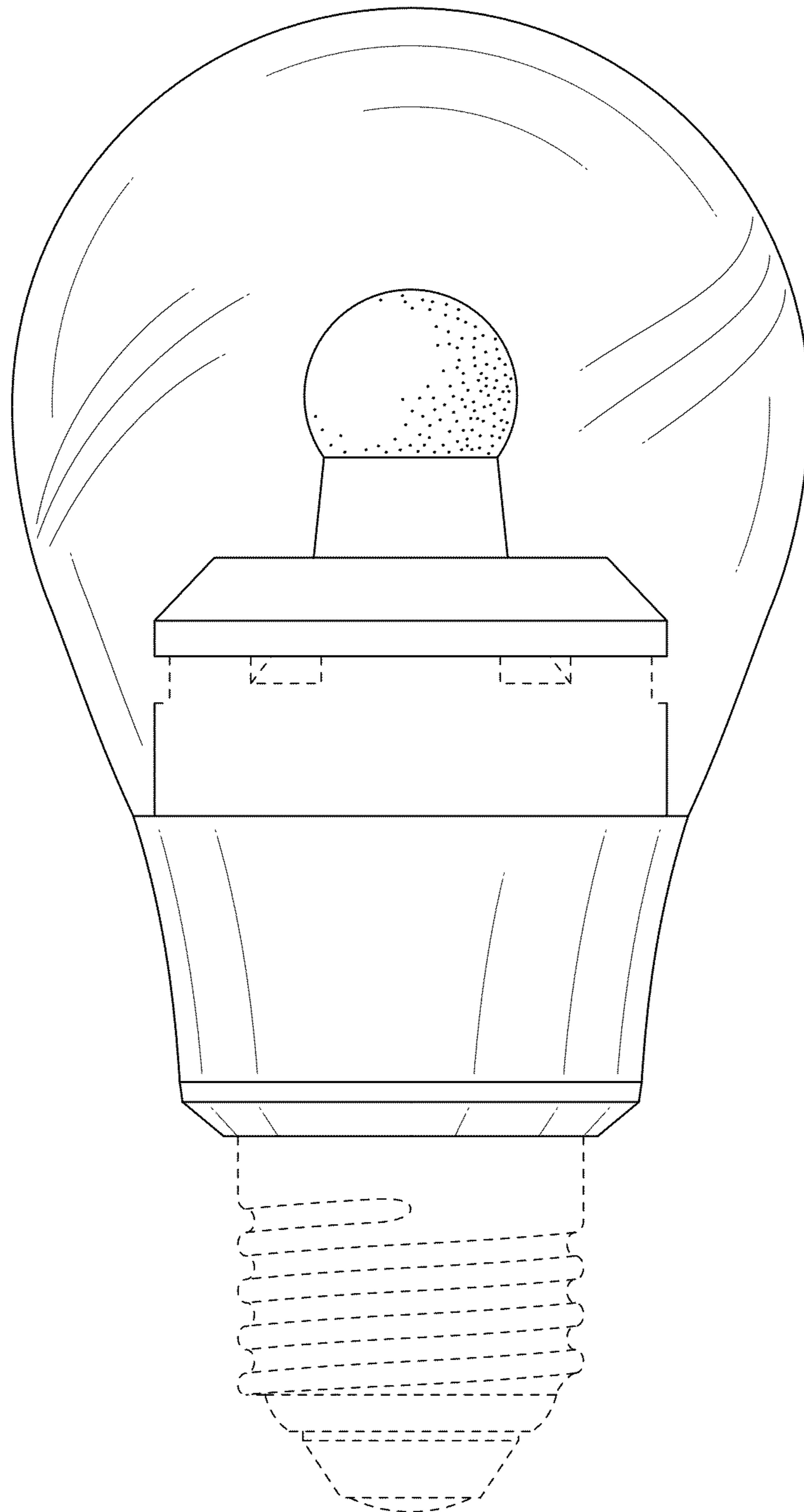


Fig. 12

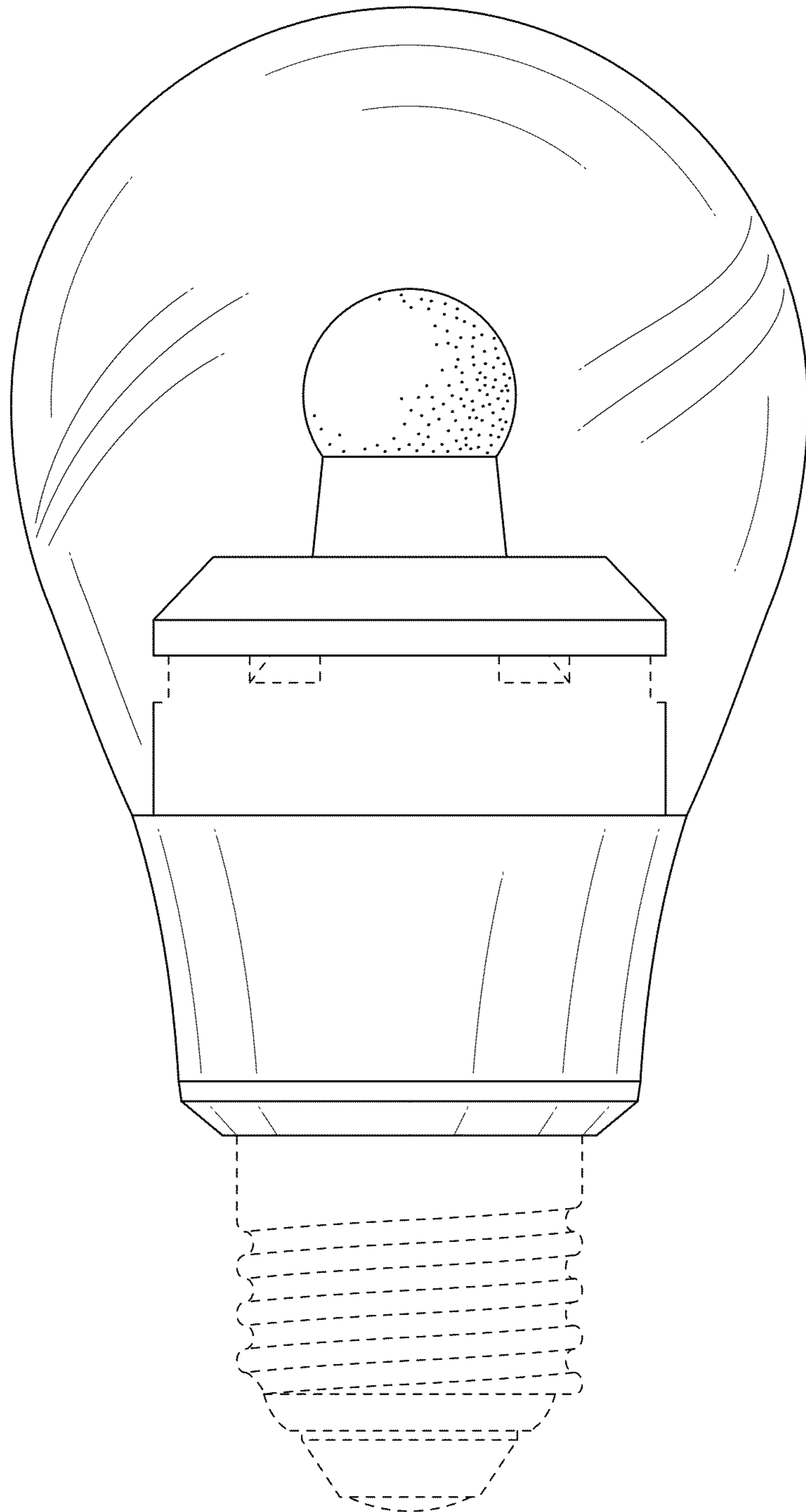


Fig. 13

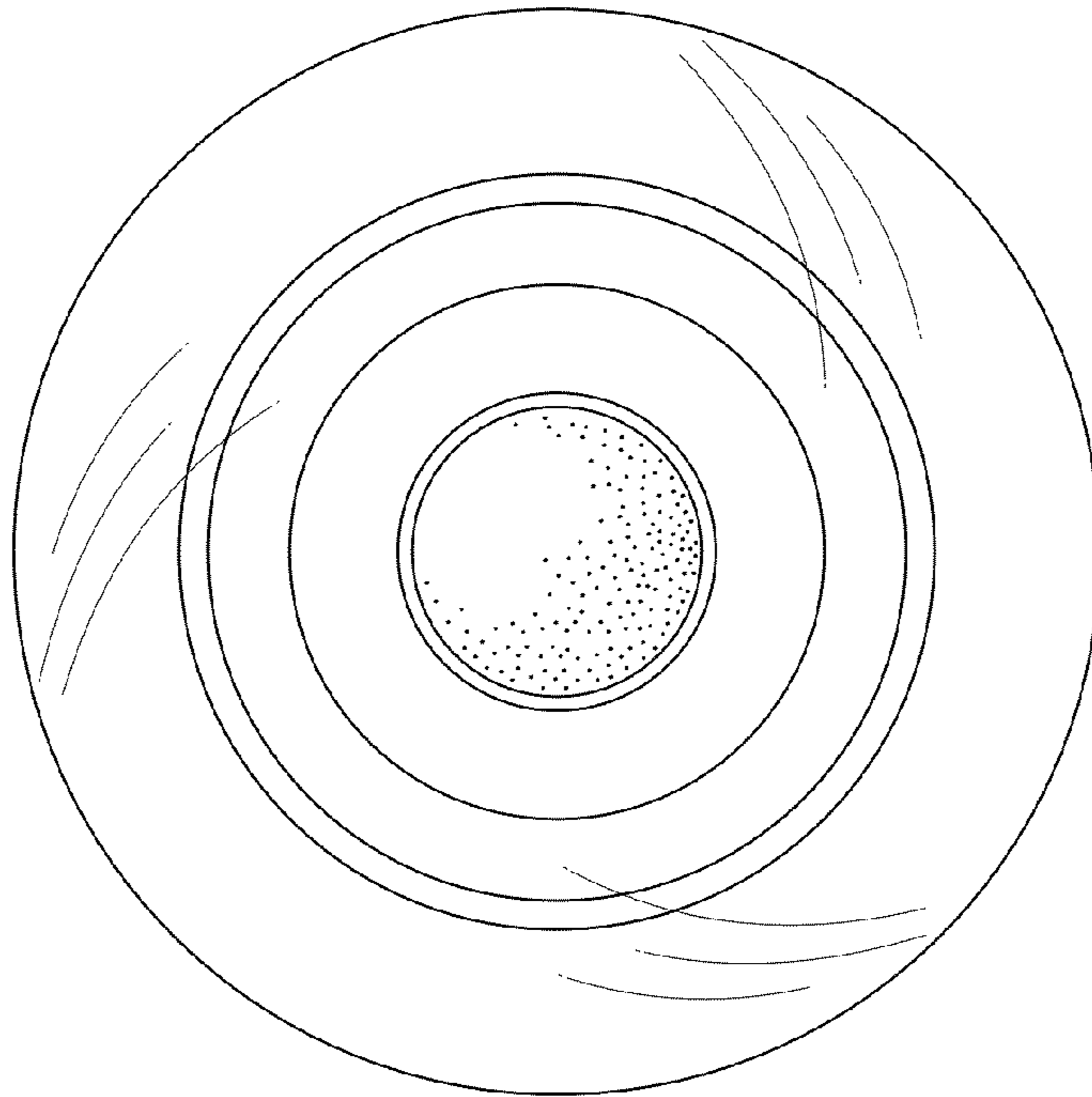


Fig. 14

