



US00D743056S

(12) **United States Design Patent**
Laukka

(10) **Patent No.:** **US D743,056 S**

(45) **Date of Patent:** **** Nov. 10, 2015**

(54) **PLASTER PLUG**

(71) Applicant: **RK-Innovations Oy**, Hyvinkaa (IS)

(72) Inventor: **Gudrun S. Laukka**, Reykjanesbaer (IS)

(73) Assignee: **RK-INNOVATIONS OY**, Hyvinkaa (FI)

(**) Term: **14 Years**

(21) Appl. No.: **29/473,506**

(22) Filed: **Nov. 22, 2013**

(51) **LOC (10) Cl.** **25-01**

(52) **U.S. Cl.**
USPC **D25/119**

(58) **Field of Classification Search**
USPC D25/42, 43, 126, 128, 119, 133;
52/2.21, 2.23, 169.9, 169.13, 274, 296,
52/301, 119; 256/21, DIG. 5
CPC E04B 1/18; E04B 1/19
See application file for complete search history.

(56) **References Cited**

U.S. PATENT DOCUMENTS

4,061,389	A *	12/1977	Keller et al.	294/86.3
4,719,133	A *	1/1988	Woudsma	427/440
5,114,032	A *	5/1992	Laidlaw	215/356
5,297,691	A *	3/1994	Bottcher	220/237
D600,366	S *	9/2009	Boardman	D25/133
D601,271	S *	9/2009	Boardman	D25/133
D602,176	S *	10/2009	Boardman	D25/133
D607,124	S *	12/2009	Charette	D25/133
8,632,356	B2 *	1/2014	Bihrer et al.	439/442

* cited by examiner

Primary Examiner — Prabhakar Deshmukh

(74) *Attorney, Agent, or Firm* — Muncy, Geissler, Olds & Lowe, P.C.

(57) **CLAIM**

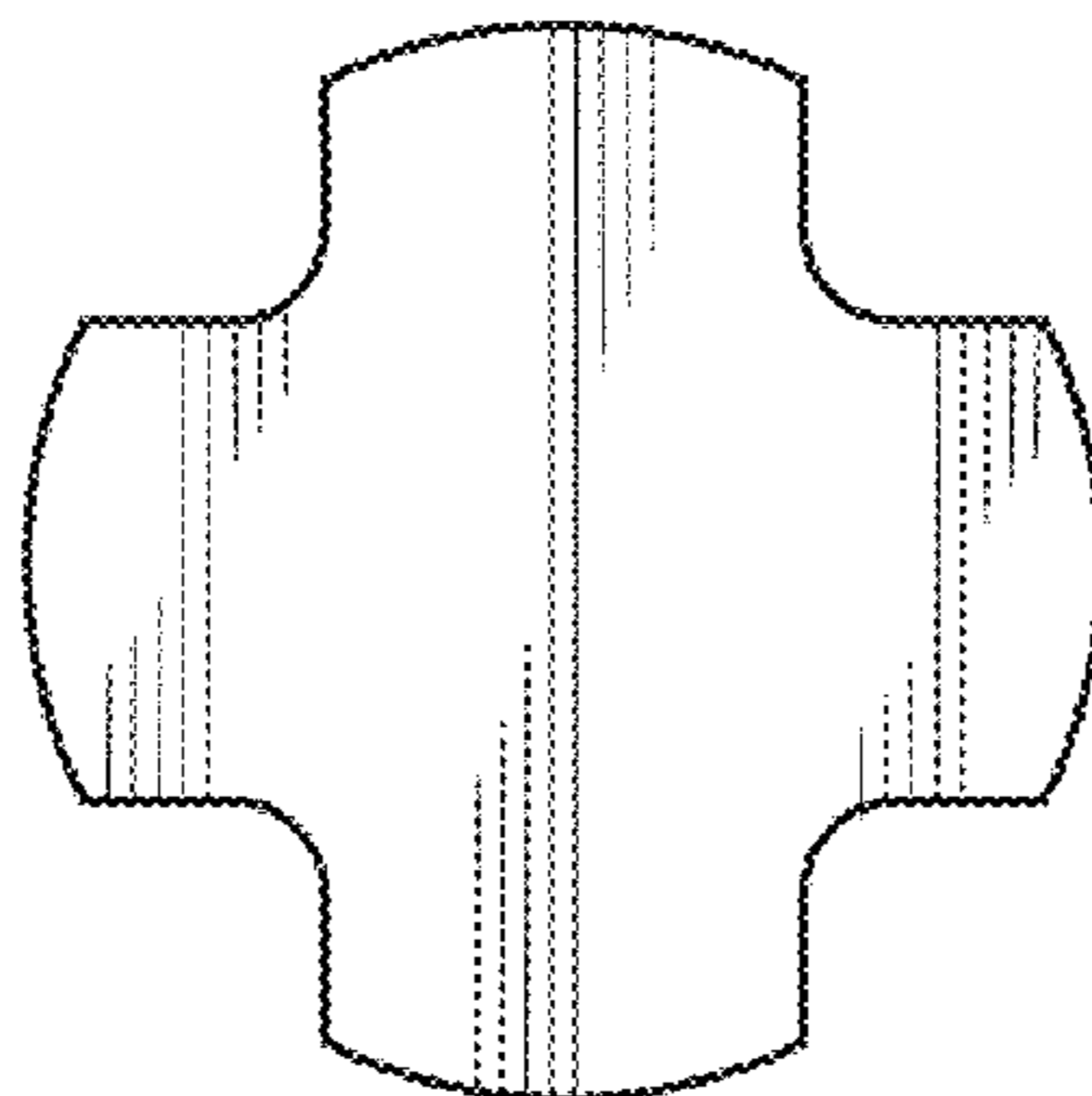
The ornamental design for a plaster plug, as shown and described.

DESCRIPTION

FIG. 1 is a top plan view of a plaster plug showing my new design;
 FIG. 2 is a front, right perspective view of the plaster plug, the front, left perspective view being a mirror image;
 FIG. 3 is a rear, left perspective view of the plaster plug, the rear, right perspective view being a mirror image;
 FIG. 4 is a top plan view of second embodiment of a plaster plug;
 FIG. 5 is a front, right perspective view of the plaster plug of the second embodiment, the front, left perspective view being a mirror image;
 FIG. 6 is a rear, left perspective view of the plaster plug of the second embodiment, the rear, right perspective view being a mirror image;
 FIG. 7 is a top plan view of third embodiment of a plaster plug;
 FIG. 8 is a front, right perspective view of the plaster plug of the third embodiment, the front, left perspective view being a mirror image; and,
 FIG. 9 is a rear, left perspective view of the plaster plug of the third embodiment, the rear, right perspective view being a mirror image.

The bottom plan views of all three embodiments (FIGS. 1, 4, and 7) are respectively the same but with their overall proportions being reduced with respect to their corresponding figures. The broken lines indicate unclaimed portions and form no part of the claimed design.

1 Claim, 6 Drawing Sheets



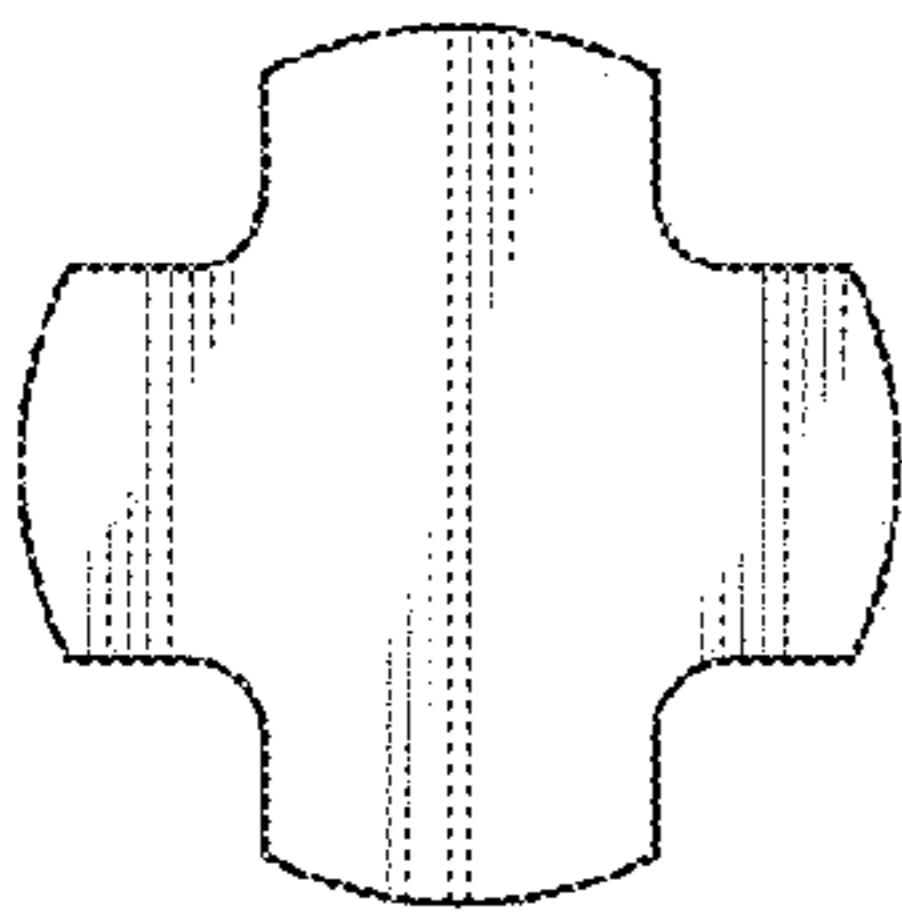


FIG. 1

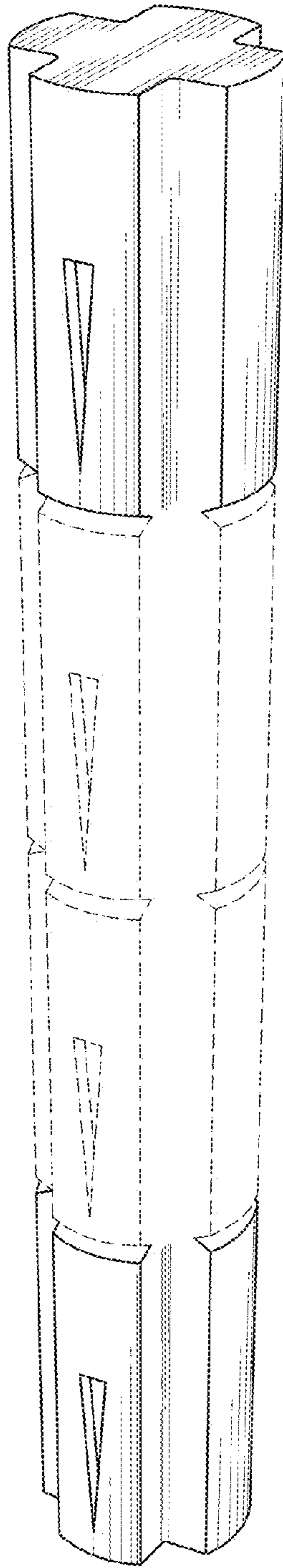


FIG. 2

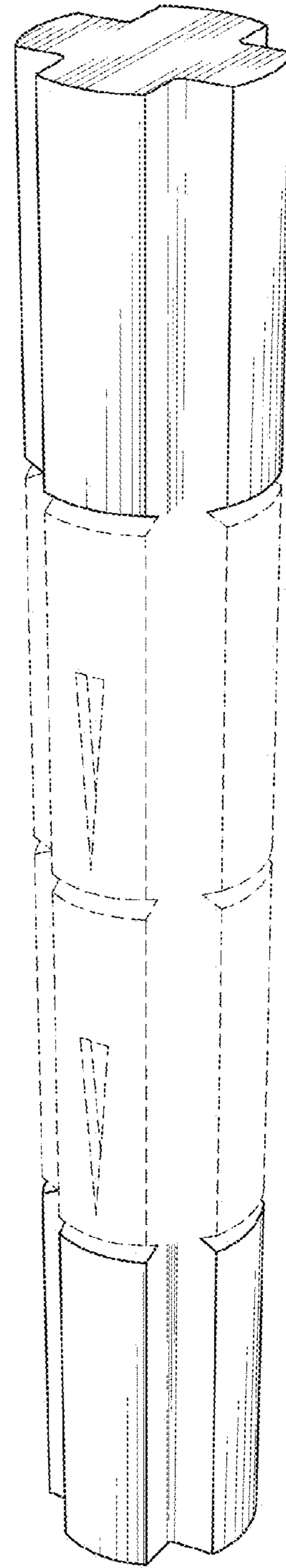


FIG. 3

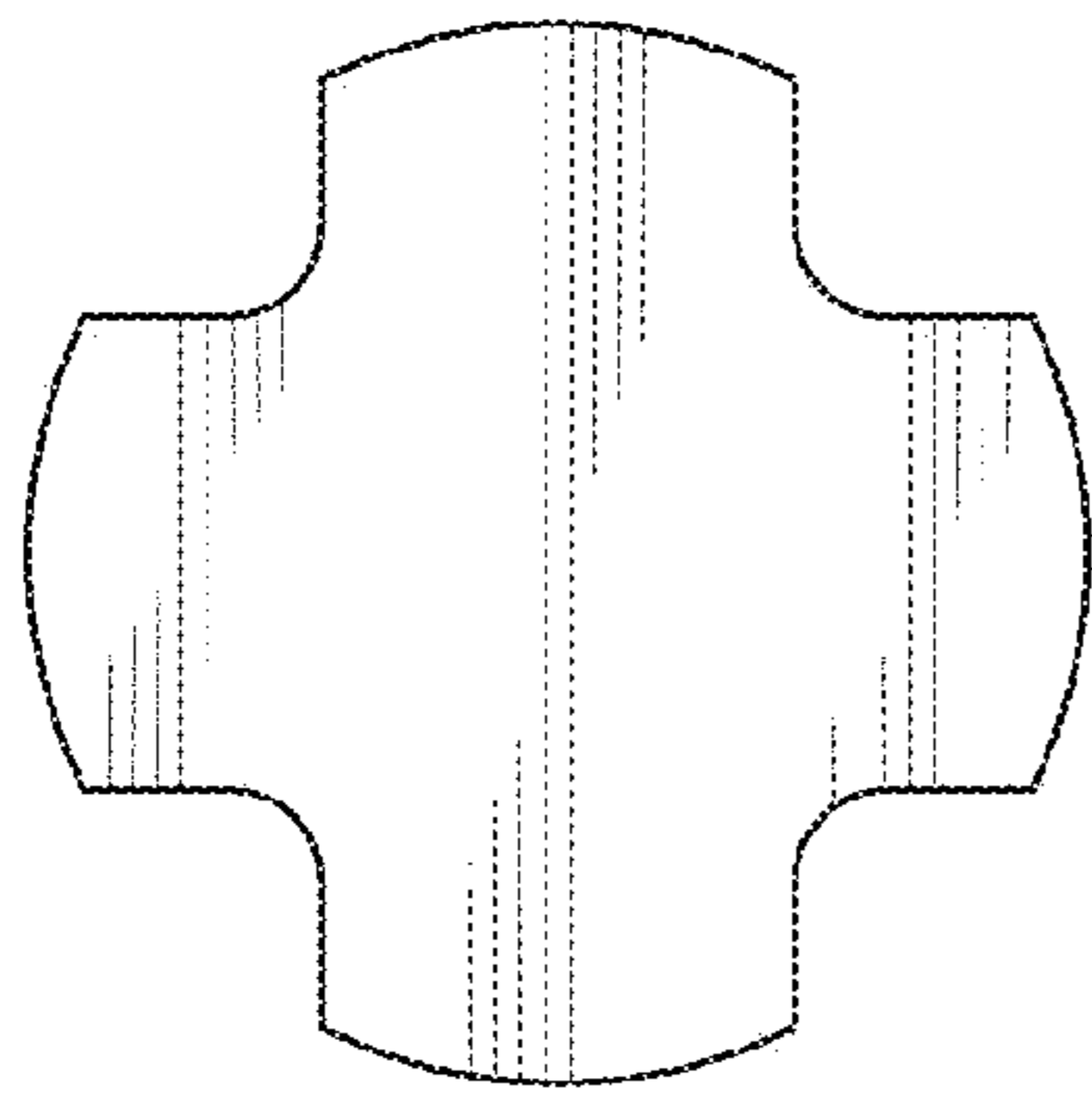


FIG. 4

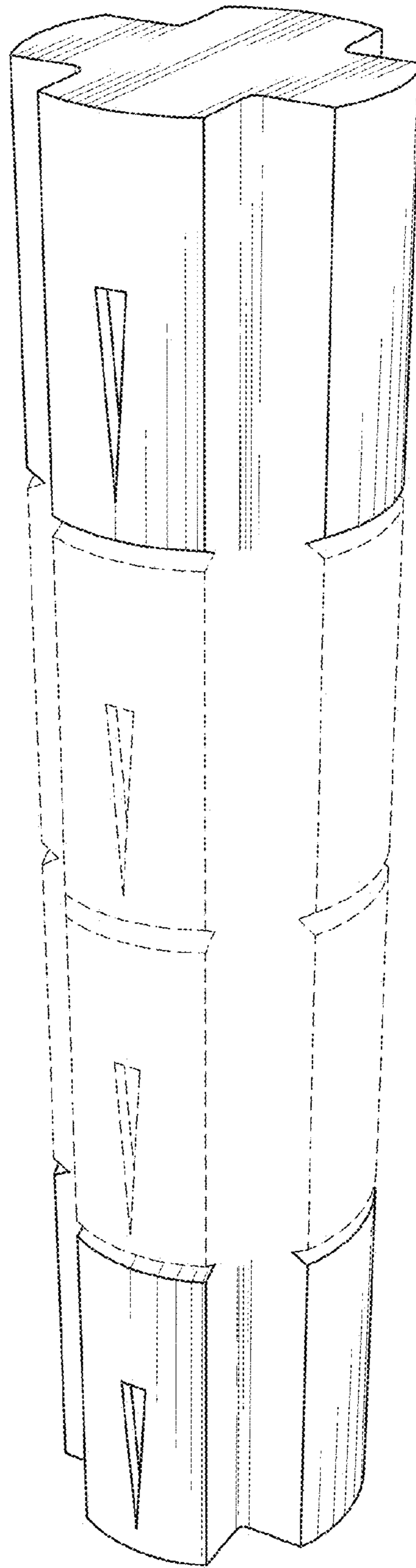


FIG. 5

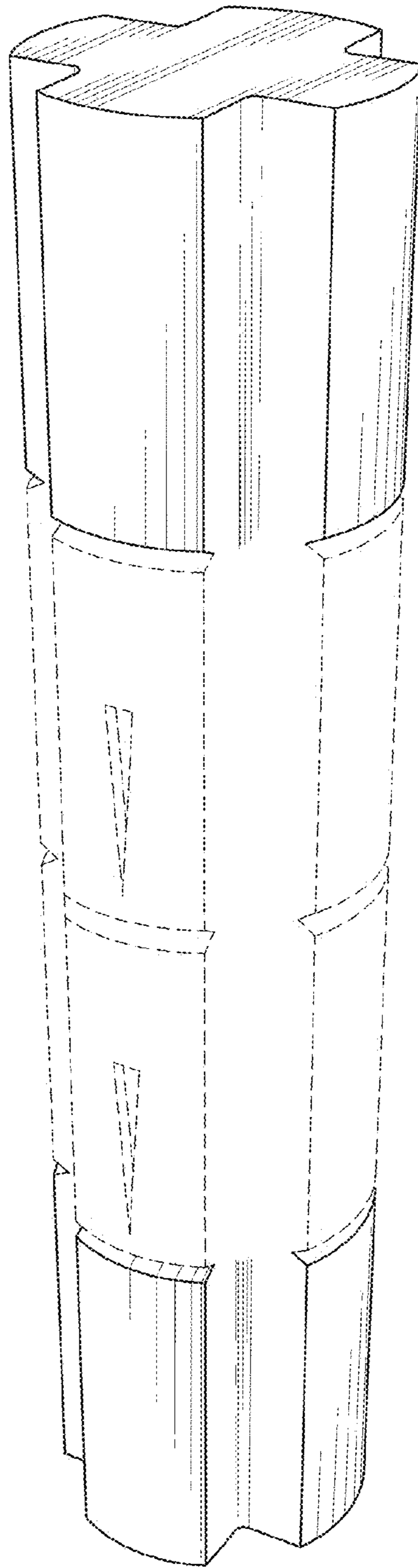


FIG. 6

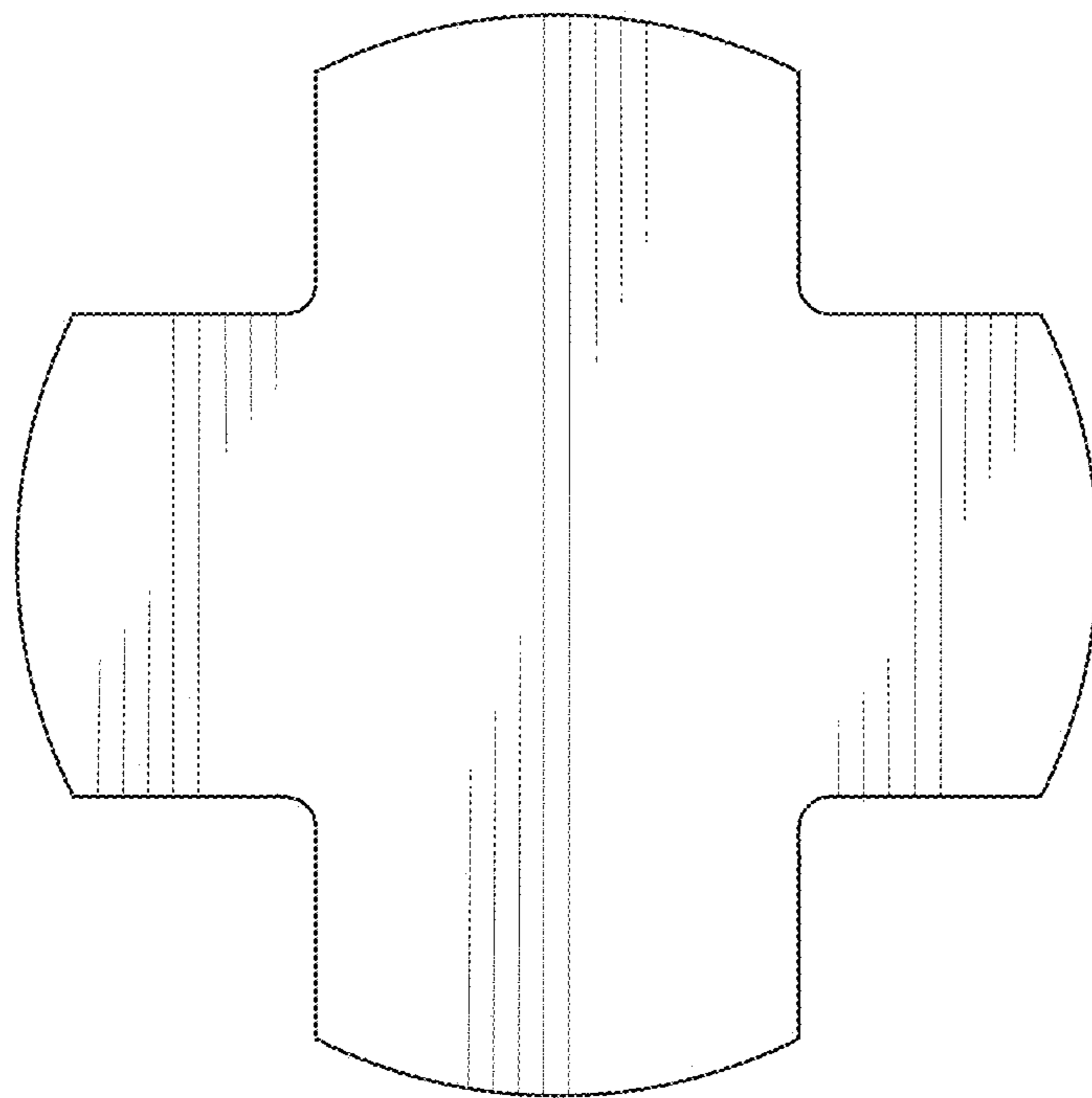


FIG. 7

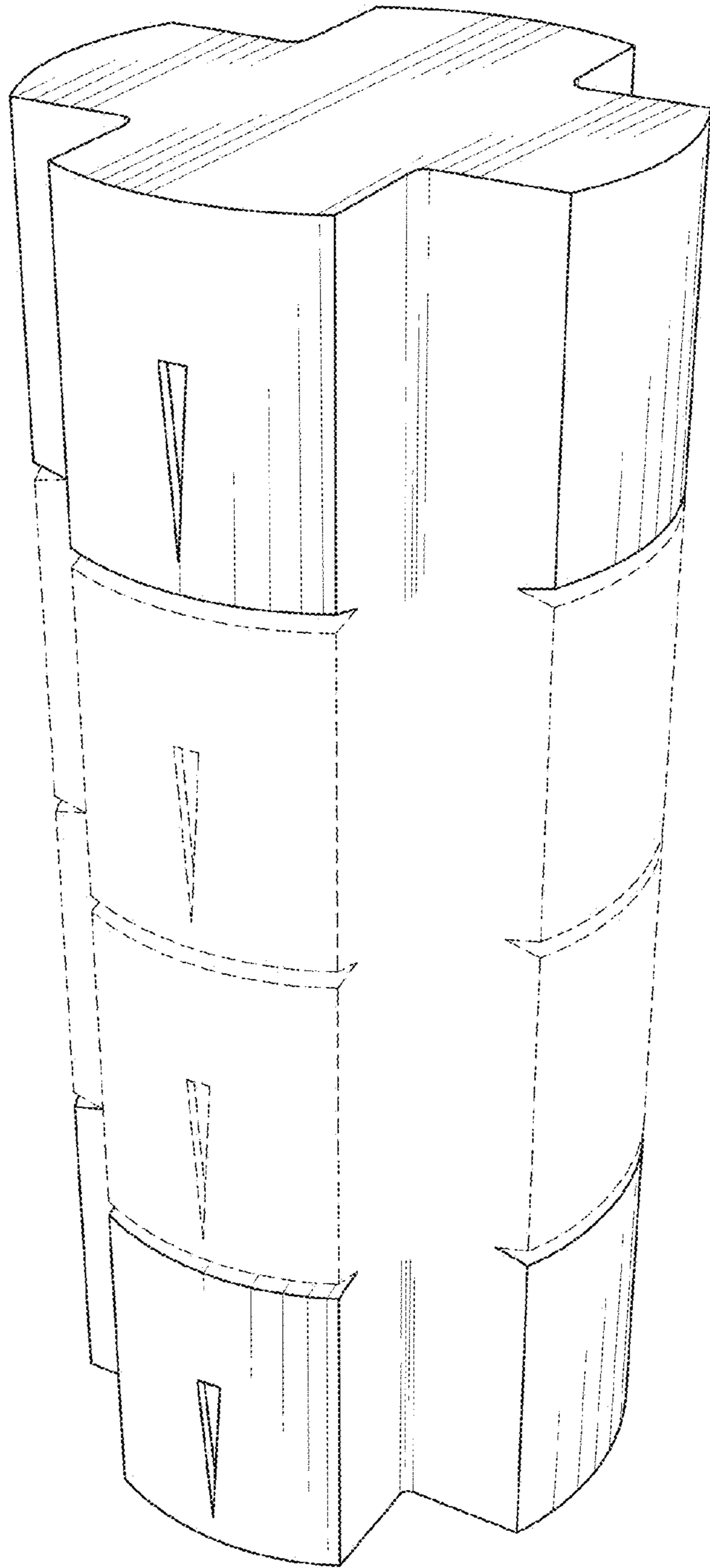


FIG. 8

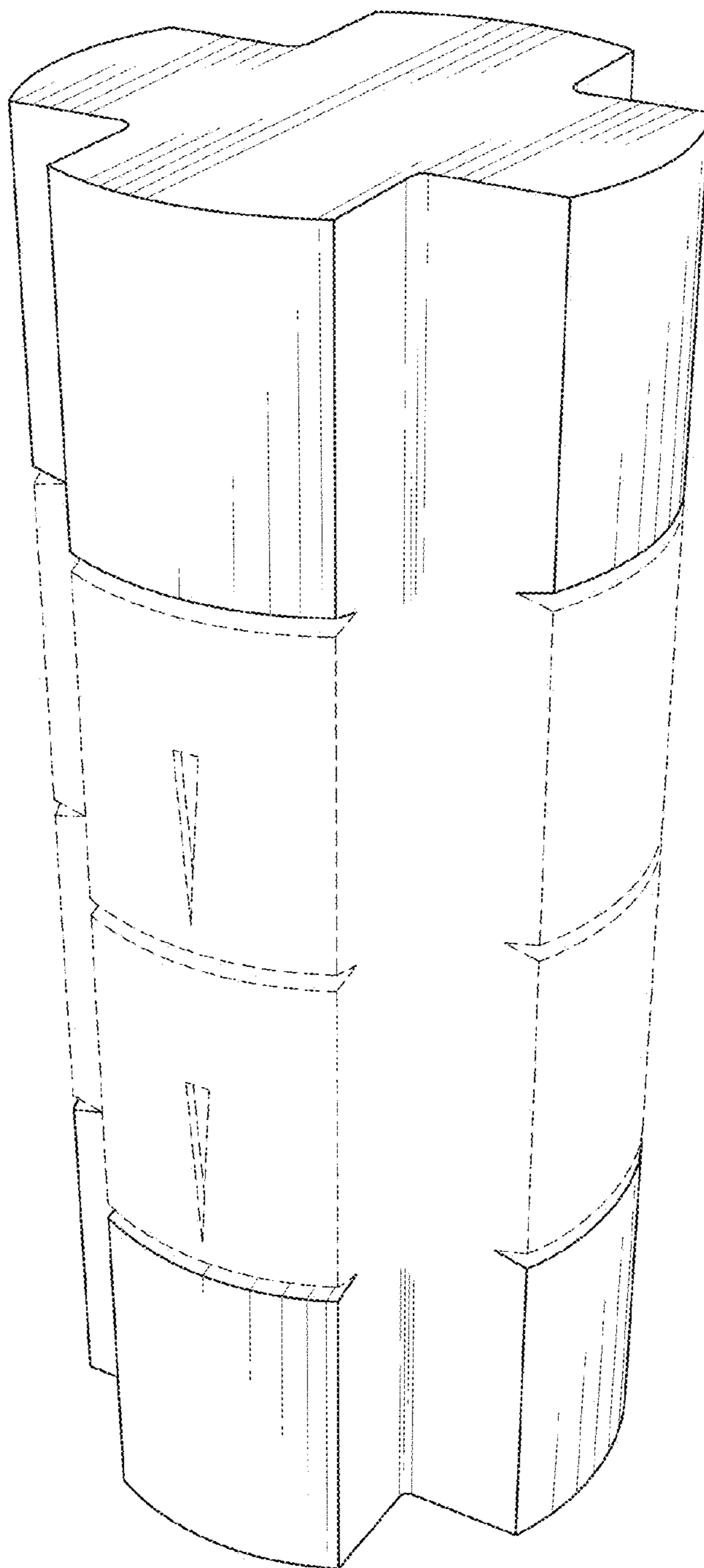


FIG. 9