



US00D743053S

(12) **United States Design Patent**
Glenn

(10) **Patent No.:** **US D743,053 S**

(45) **Date of Patent:** **** *Nov. 10, 2015**

(54) **STAIR EDGING**

(71) Applicant: **M-D Building Products, Inc.**,
Oklahoma City, OK (US)

(72) Inventor: **Matthew Wayne Glenn**, Edmond, OK
(US)

(73) Assignee: **M-D Building Products, Inc.**,
Oklahoma City, OK (US)

(*) Notice: This patent is subject to a terminal dis-
claimer.

(**) Term: **14 Years**

(21) Appl. No.: **29/458,594**

(22) Filed: **Jun. 20, 2013**

(51) **LOC (10) Cl.** **25-04**

(52) **U.S. Cl.**
USPC **D25/69**

(58) **Field of Classification Search**
USPC D25/68, 69; 52/293.3, 236.6, 464, 395,
52/468, 469, 489, 480, 459, 396.04, 396.1,
52/716.6, 179, 163

See application file for complete search history.

(56) **References Cited**

U.S. PATENT DOCUMENTS

2,787,036 A *	4/1957	Mermer	52/179
D227,980 S *	7/1973	Crosskill	D25/69
D621,961 S *	8/2010	Gardner	D25/119
2006/0150539 A1 *	7/2006	Vanhastel et al.	52/179

OTHER PUBLICATIONS

Loxcreen Floor Covering Accessories Catalog, 2013, pp. 4-5.

* cited by examiner

Primary Examiner — Doris Clark

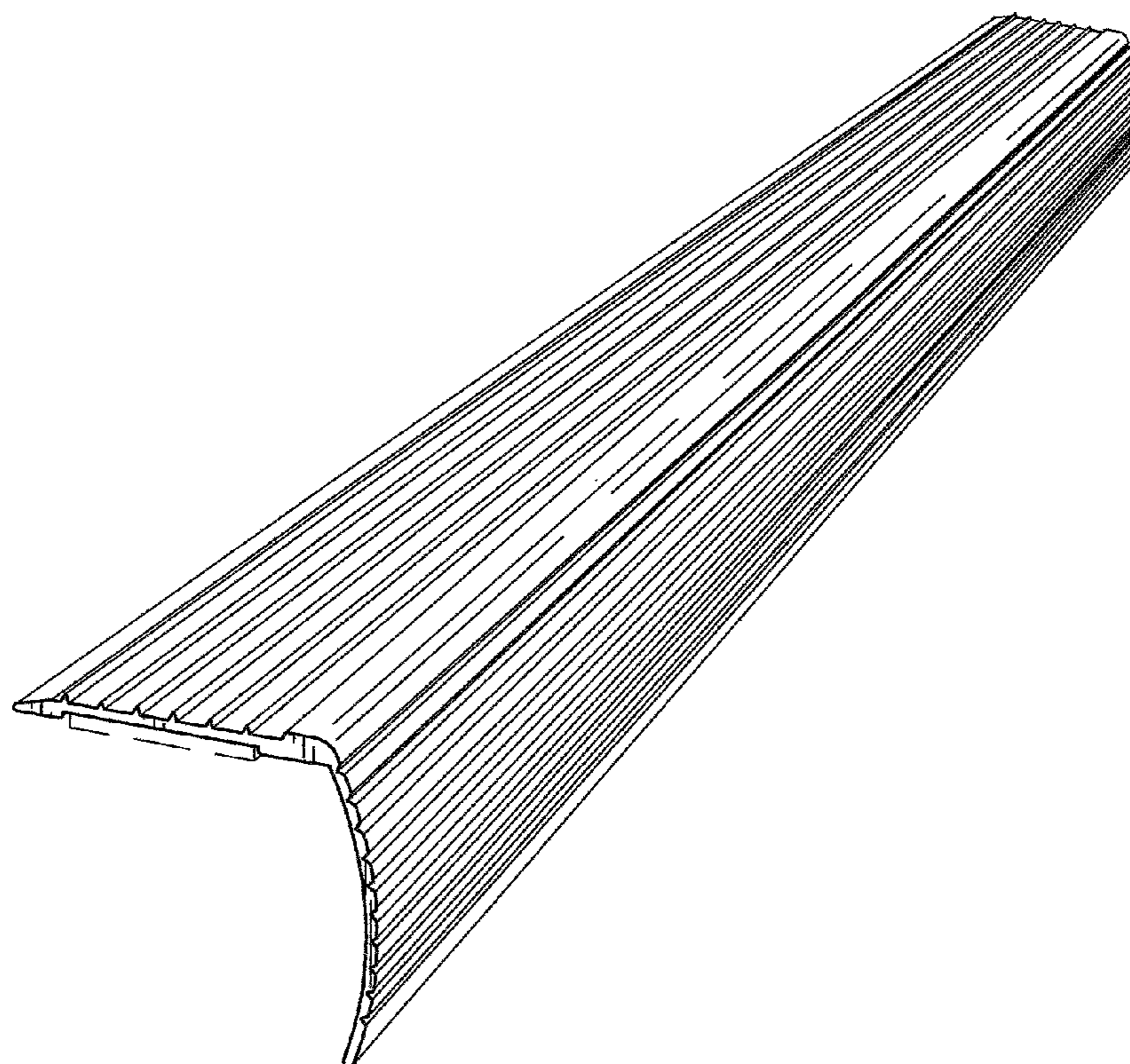
(57) **CLAIM**

I claim the ornamental design for a stair edging, as shown and described.

DESCRIPTION

FIG. 1 is a perspective view of the stair edging.
FIG. 2 is a right side elevation view of the stair edging.
FIG. 3 is a left side elevation view thereof.
FIG. 4 is a top view of the stair edging.
FIG. 5 is a bottom view thereof.
FIG. 6 is a front elevation view thereof; and,
FIG. 7 is a rear elevation view of the stair edging.
The stair edging has been broken in the center for ease of illustration.
The broken lines are for illustrative purposes only and form no part of the claimed design.

1 Claim, 2 Drawing Sheets



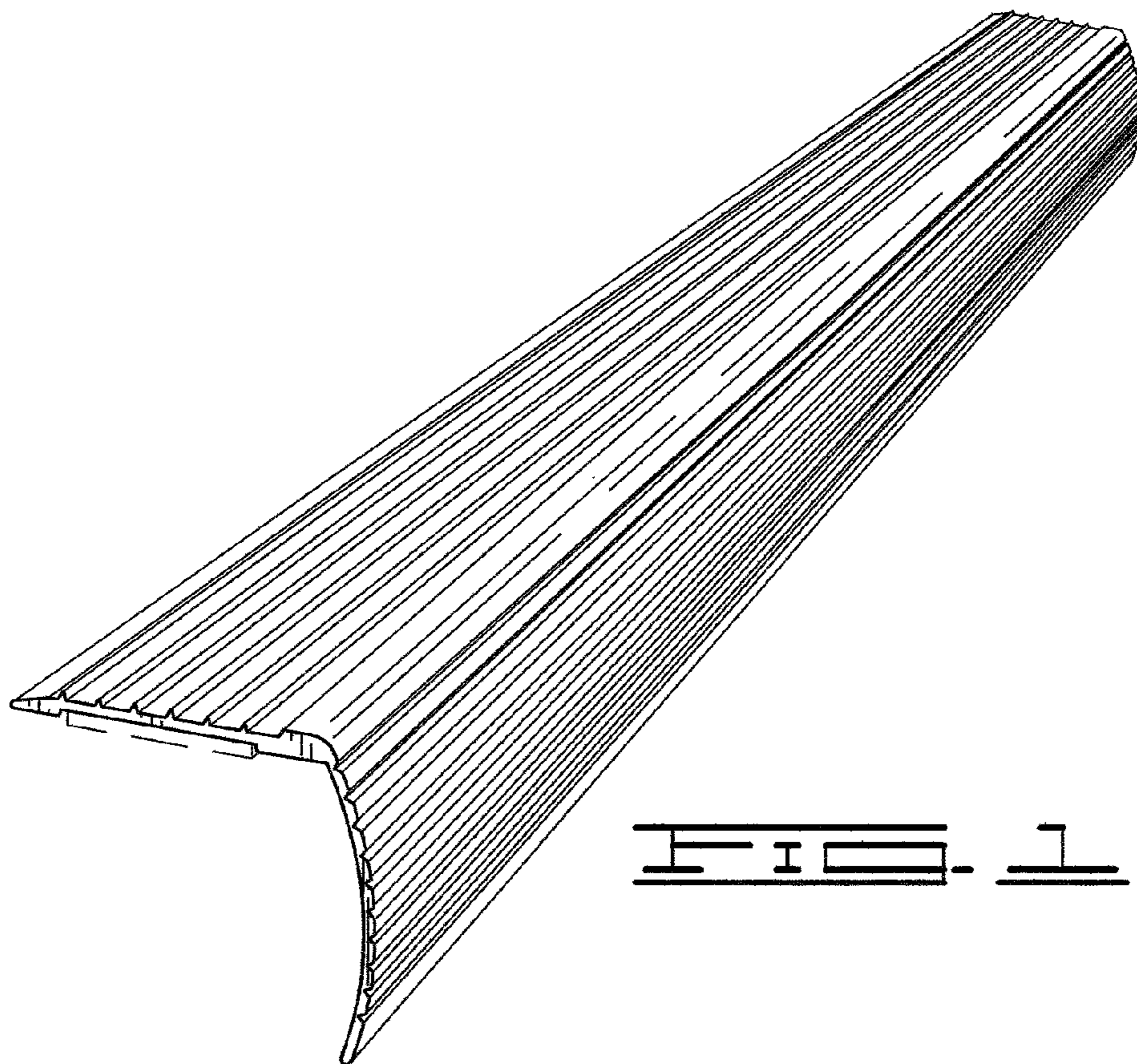


FIG. 1

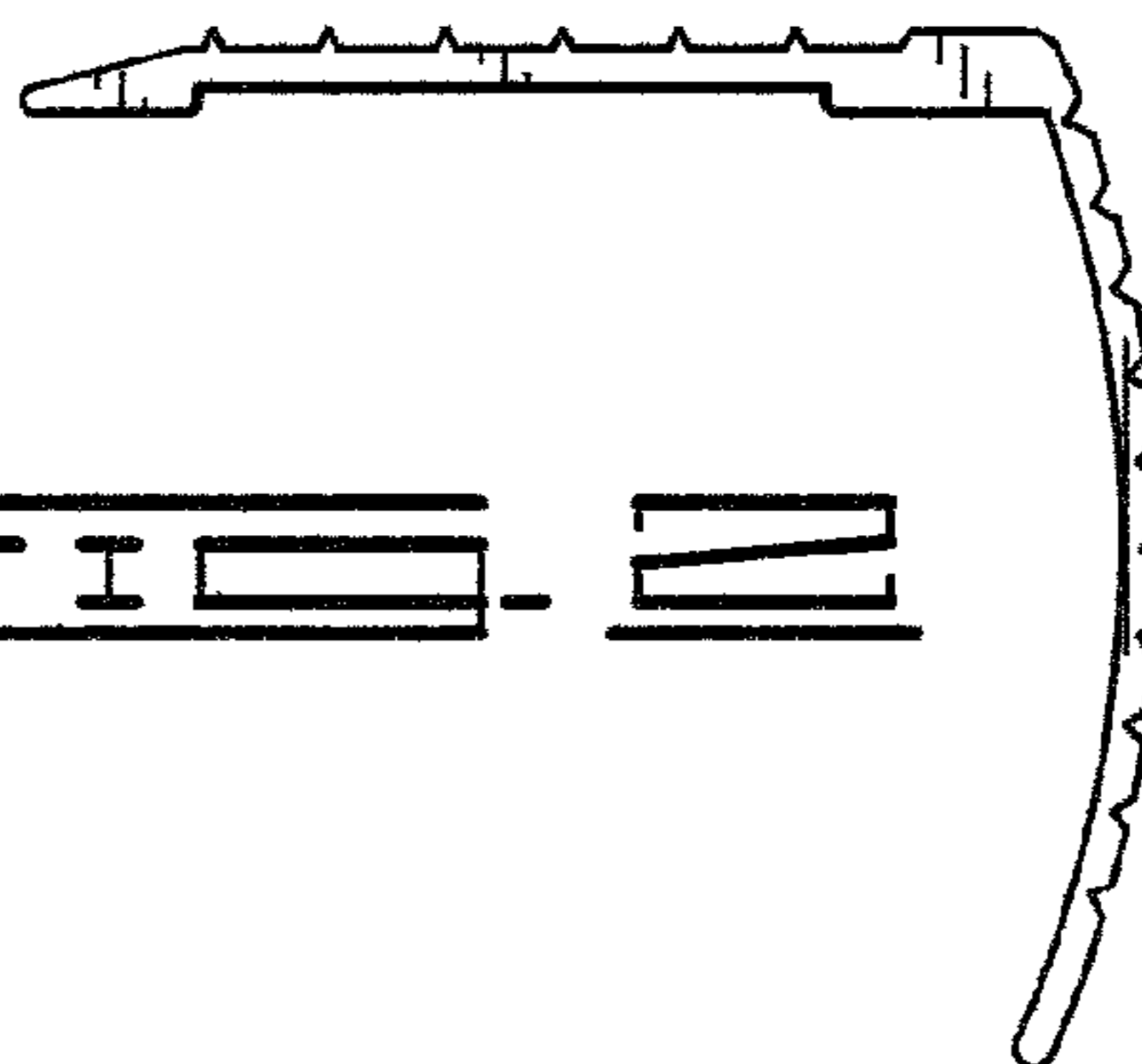


FIG. 2

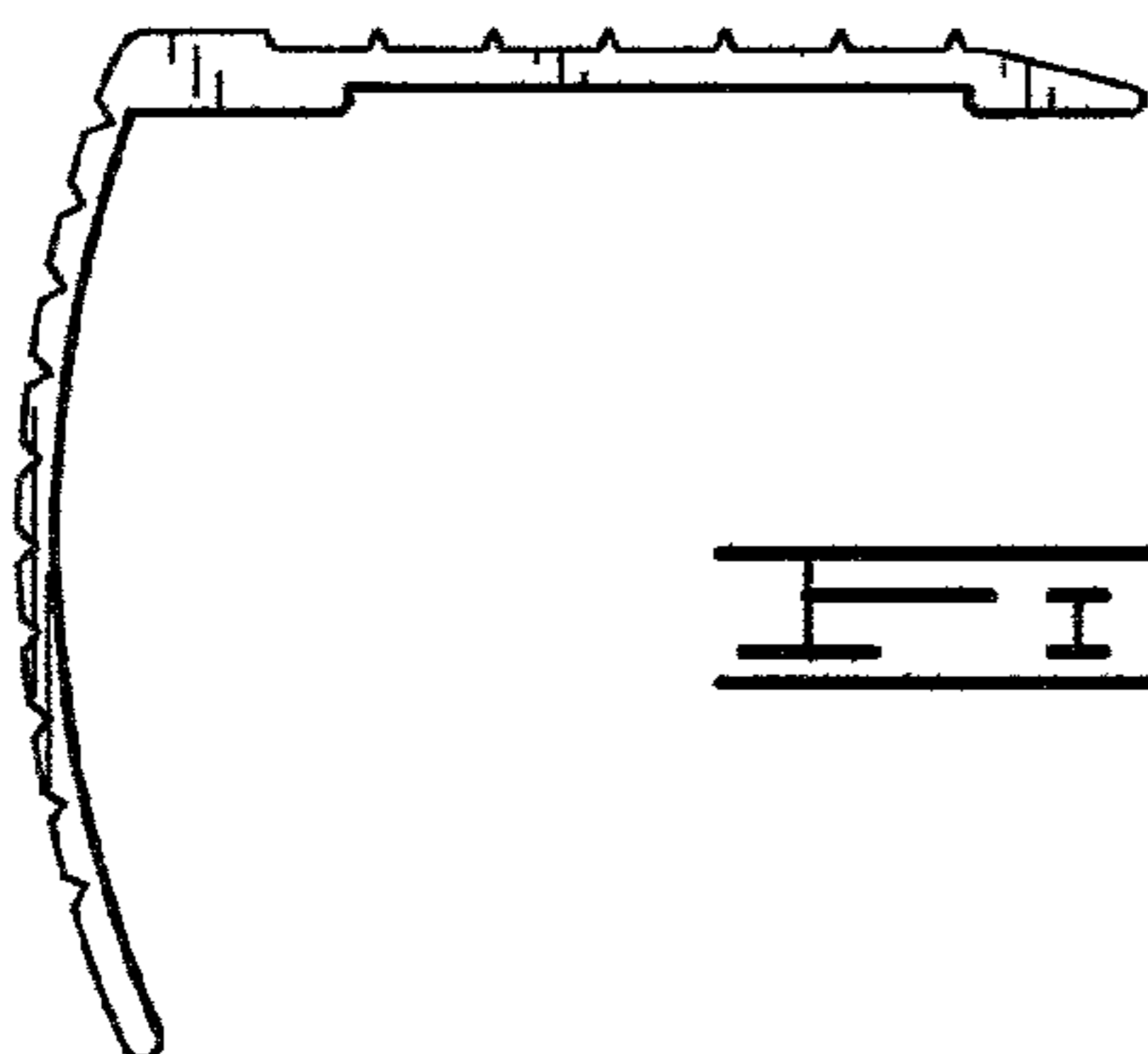


FIG. 3

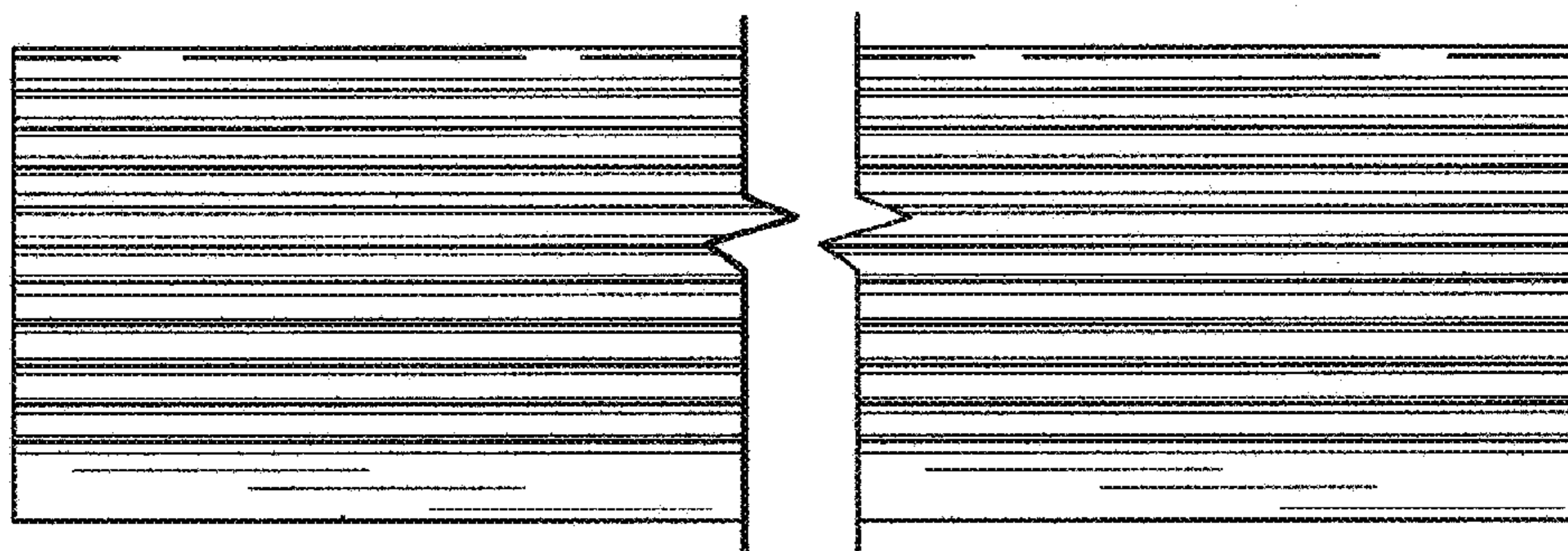


FIG. 4

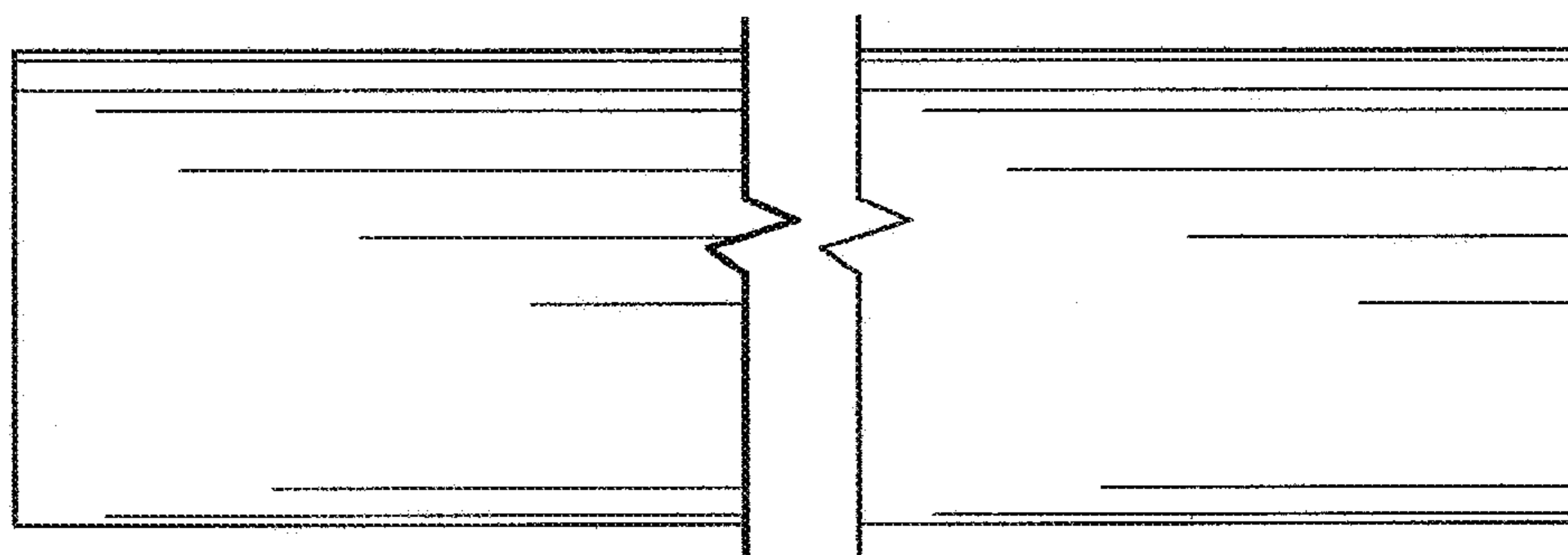


FIG. 5

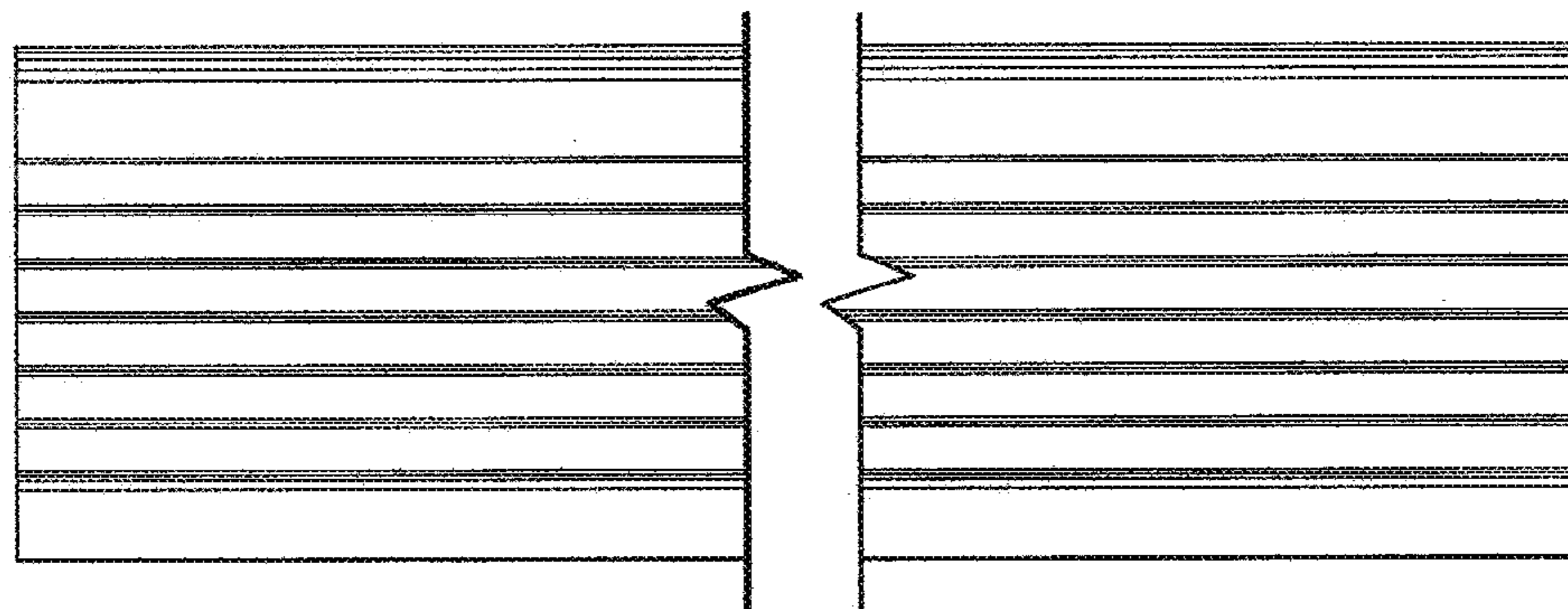


FIG. 6

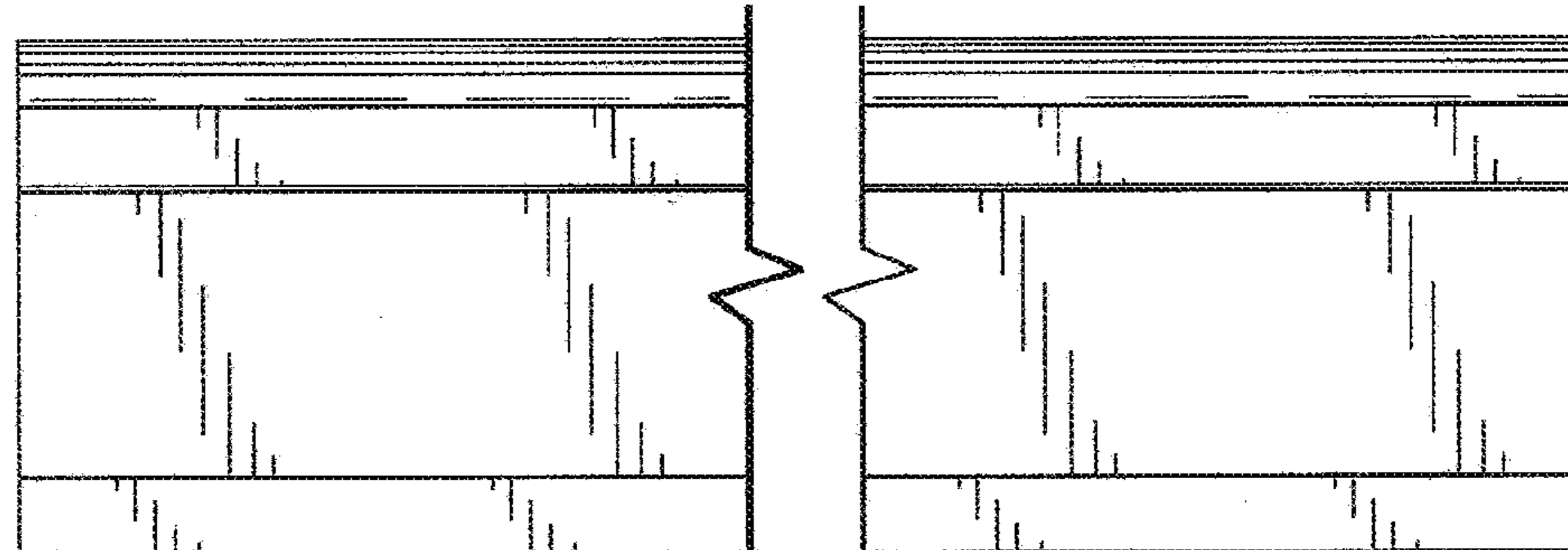


FIG. 7