



US00D743052S

(12) **United States Design Patent**
Glenn

(10) **Patent No.:** **US D743,052 S**

(45) **Date of Patent:** **** *Nov. 10, 2015**

(54) **FLOORING TRANSITION**

(71) Applicant: **M-D Building Products, Inc.**,
Oklahoma City, OK (US)

(72) Inventor: **Matthew Wayne Glenn**, Edmond, OK
(US)

(73) Assignee: **M-D Building Products, Inc.**,
Oklahoma City, OK (US)

(*) Notice: This patent is subject to a terminal dis-
claimer.

(**) Term: **14 Years**

(21) Appl. No.: **29/458,593**

(22) Filed: **Jun. 20, 2013**

(51) **LOC (10) Cl.** **25-04**

(52) **U.S. Cl.**
USPC **D25/69**

(58) **Field of Classification Search**
USPC D25/68, 69; 52/293.3, 236.6, 464, 395,
52/468, 469, 489, 480, 459, 396.04, 396.1,
52/716.6, 179, 163

See application file for complete search history.

(56) **References Cited**

U.S. PATENT DOCUMENTS

D447,249 S *	8/2001	Chang et al.	D25/69
7,895,802 B2 *	3/2011	Kurz	52/468
2012/0110939 A1 *	5/2012	Sondermann	52/468
2013/0283717 A1 *	10/2013	Smith	52/465

OTHER PUBLICATIONS

Loxcreen Floor Covering Accessories Catalog, 2013, pp. 3, 6-11.

* cited by examiner

Primary Examiner — Doris Clark

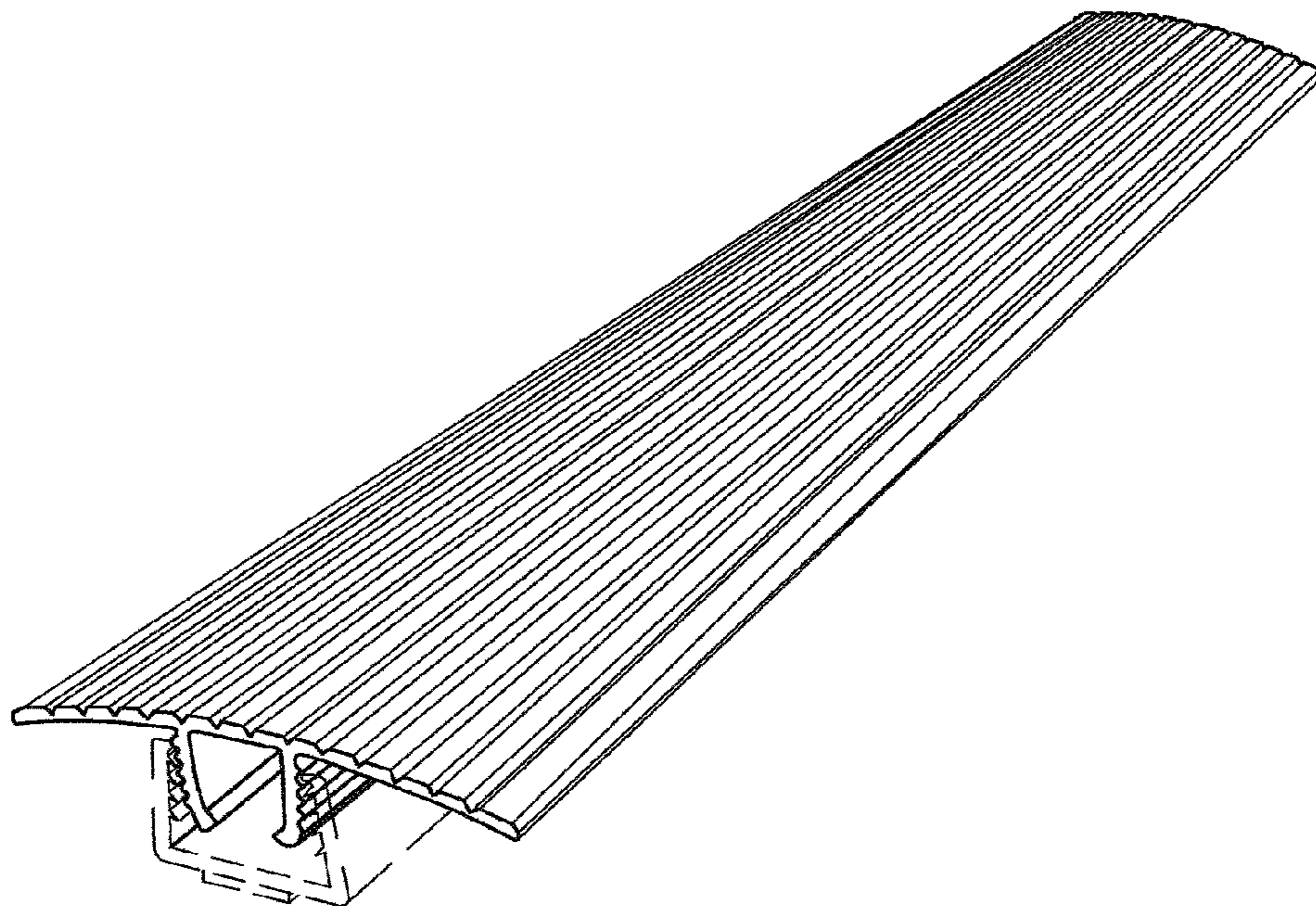
(57) **CLAIM**

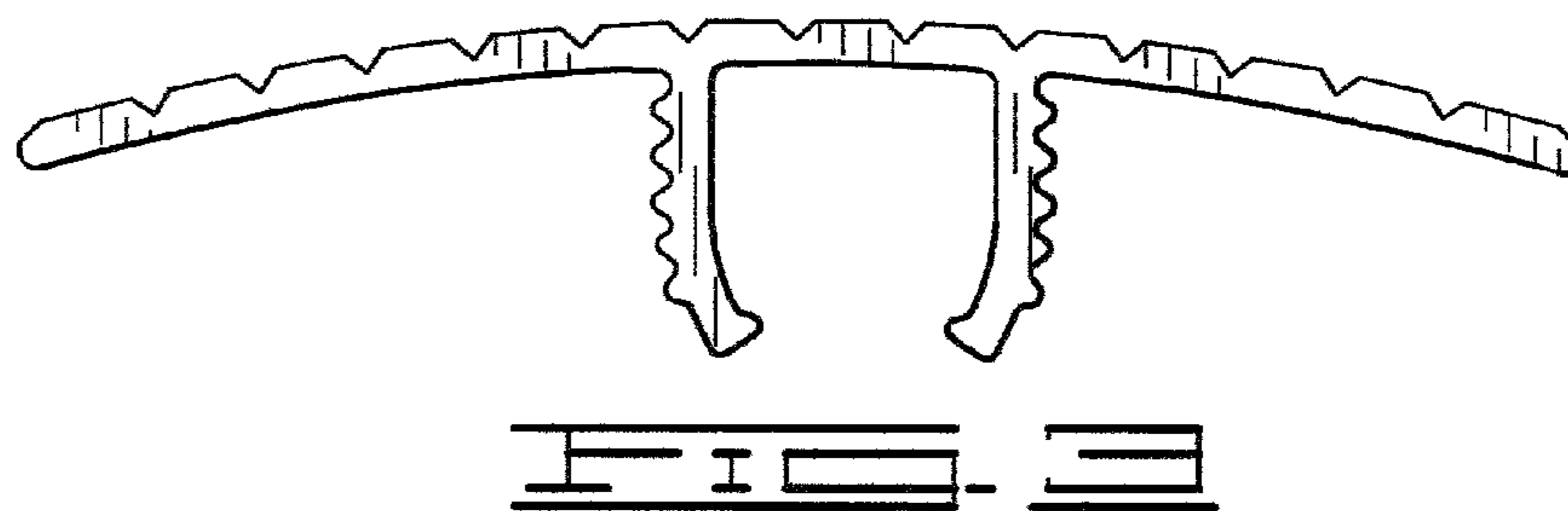
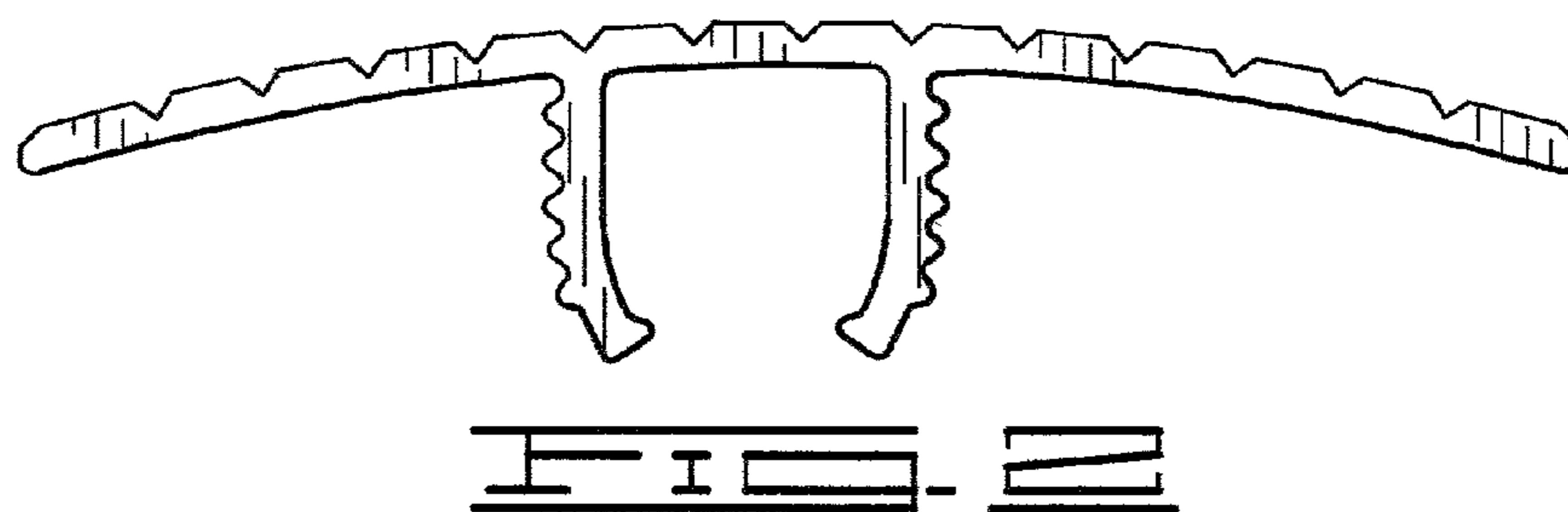
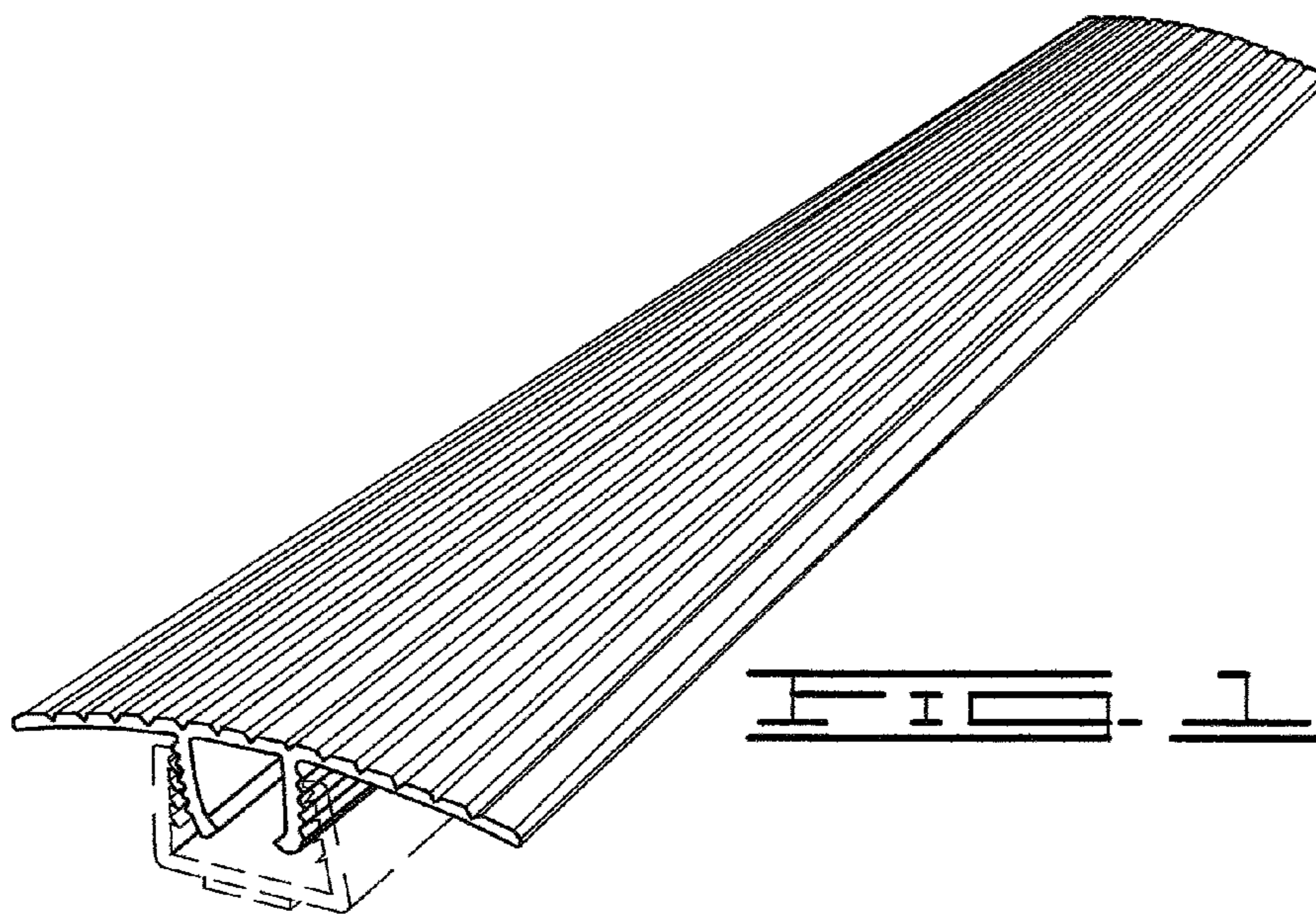
I claim the ornamental design for a flooring transition, as shown and described.

DESCRIPTION

FIG. 1 is a perspective view of the flooring transition.
FIG. 2 is a right side elevation view of the flooring transition.
FIG. 3 is a left side elevation view thereof.
FIG. 4 is a top view of the transition.
FIG. 5 is a bottom view thereof.
FIG. 6 is a front elevation view thereof; and,
FIG. 7 is a rear elevation view of the transition.
The flooring transition has been broken in the center for ease of illustration.
The broken lines are for illustrative purposes only and form no part of the claimed design.

1 Claim, 2 Drawing Sheets





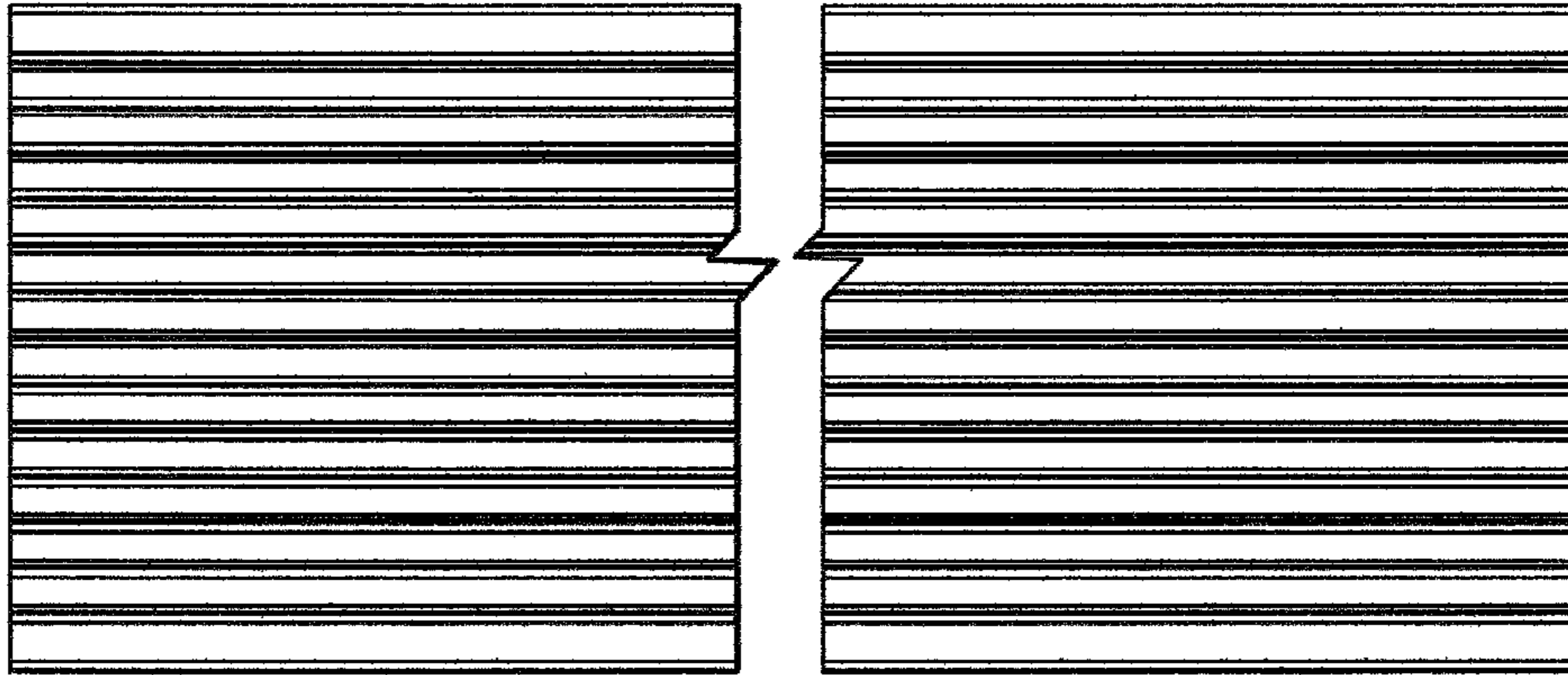


FIG. 4

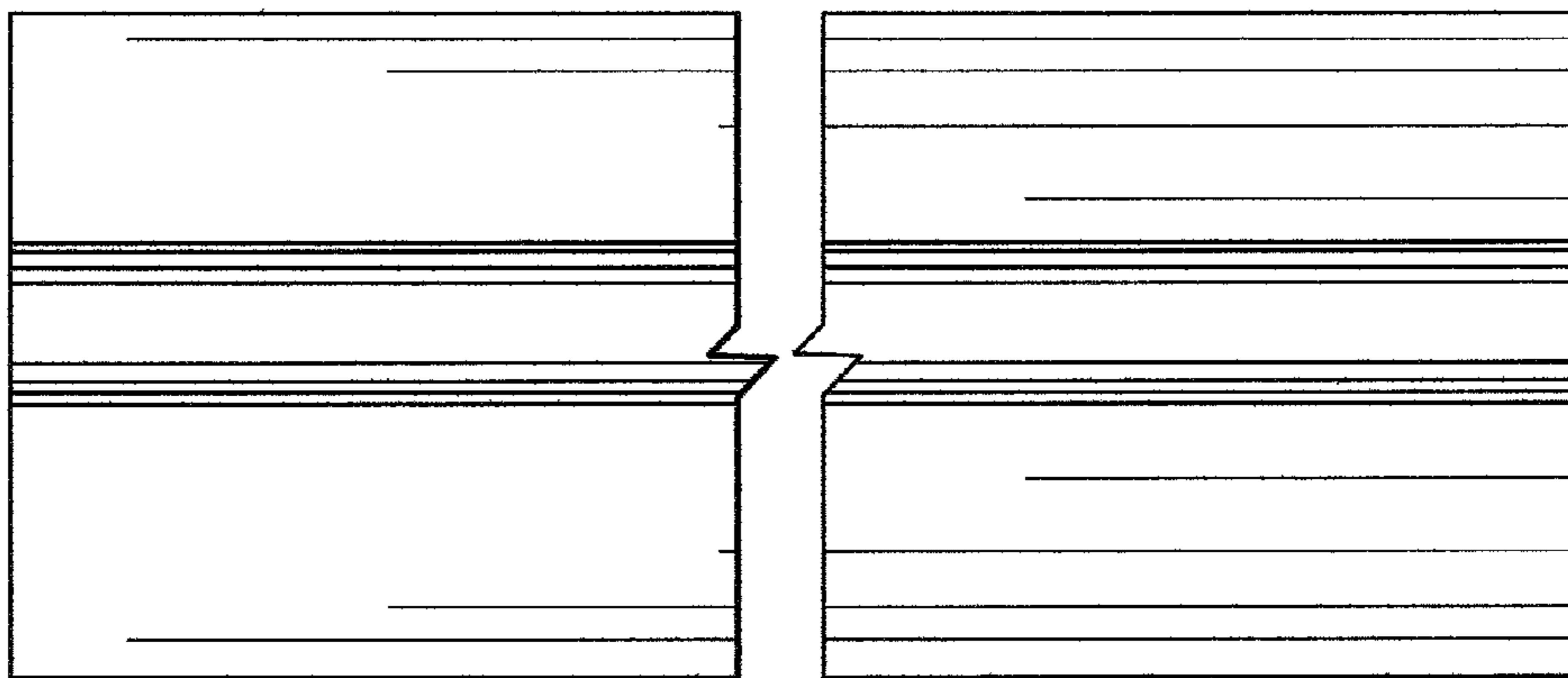


FIG. 5



FIG. 6



FIG. 7