



US00D743051S

(12) **United States Design Patent**
Swensson et al.

(10) **Patent No.:** **US D743,051 S**

(45) **Date of Patent:** **** Nov. 10, 2015**

(54) **GATE**

(71) Applicants: **Dean Edward Swensson**, Hampshire (GB); **Ian Nathan Scrace**, Hampshire (GB)

(72) Inventors: **Dean Edward Swensson**, Hampshire (GB); **Ian Nathan Scrace**, Hampshire (GB)

(**) Term: **14 Years**

(21) Appl. No.: **29/475,952**

(22) Filed: **Dec. 9, 2013**

(51) **LOC (10) Cl.** **25-02**

(52) **U.S. Cl.**

USPC **D25/48.5**; D25/48.4; D25/48.3; D25/60

(58) **Field of Classification Search**

USPC D25/48.5, 48.8, 38.1, 39-44, 48.1, D25/48.3-61, 199; 256/73, 10, 21, 256/59-65.01, 65.02, 65.1, 65.11-65.16, 256/24-26, 1, 22; D6/332; 49/49-63, 49/463-465, 190, 191, 326, 410, 9, 13, 14, 49/71, 72.95, 104, 163-176, 371-403; 160/218-227, 229.1, 180-187, 368.1, 160/92, 354, DIG. 8; 119/501, 502, 506, 119/510, 512, 514, 422-424, 503, 507, 524, 119/522, 523, 474, 752, 840-841, 174, 119/484; D30/199, 119, 114, 108, 106, D30/107, 158; 292/196, 198, 253, 302; 16/366; 43/61; 335/153; 52/386, 52/455-458, 745.16

CPC . A01K 1/0017; A01K 1/0005; A01K 1/0023; A01K 1/0029; A01K 1/0613; A01K 1/0209; A01K 3/00; E05Y 2900/40; E05Y 2900/402; E05Y 2900/404; E04H 17/18; E06B 11/00; E06B 11/02; E06B 11/04; E06B 11/06; E06B 11/022; E06B 3/72-3/805; E06B 5/00; E06B 5/01; E06B 5/02; E06B 5/025; E06B 7/10; E06B 7/30; E06B 7/32; E06B 9/00; E06B 2009/002; Y10S 160/08

See application file for complete search history.

(56) **References Cited**

U.S. PATENT DOCUMENTS

1,512,307 A * 10/1924 Pratt 232/19
2,027,491 A * 1/1936 Percy 108/42

(Continued)

OTHER PUBLICATIONS

PetSafe Small White Plastic Pet Door , Lowes.com, 2015, one page.*

(Continued)

Primary Examiner — Susan Moon Lee

(74) *Attorney, Agent, or Firm* — Hitaffer & Hitaffer, PLLC

(57) **CLAIM**

The ornamental design for a gate, as shown and described.

DESCRIPTION

FIG. 1 is a front perspective view of a gate according to a first embodiment, without a flap.

FIG. 2 is a front elevational view of the gate shown in FIG. 1.

FIG. 3 is a rear elevational view of the gate shown in FIG. 1.

FIG. 4 is a left side elevational plan view of the gate shown in FIG. 1.

FIG. 5 is a right side elevational plan view of the gate shown in FIG. 1.

FIG. 6 is a top plan view of the gate shown in FIG. 1.

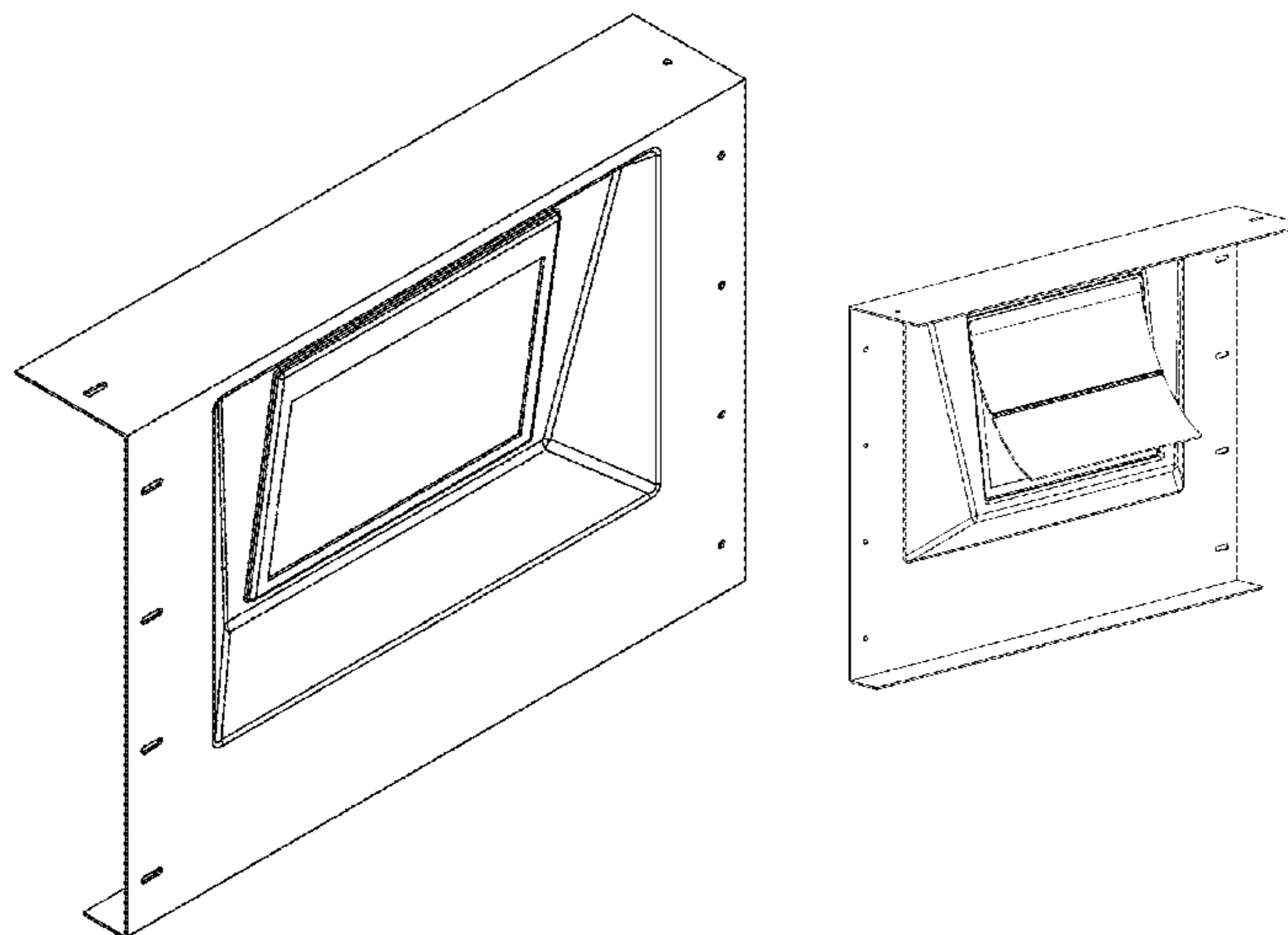
FIG. 7 is a bottom plan view of the gate shown in FIG. 1.

FIG. 8 is a front perspective view of a gate, according to a second embodiment, with a flap, wherein the flap is in a closed position.

FIG. 9 is a rear perspective view of the gate shown in FIG. 8; and,

FIG. 10 is a rear perspective view of the gate shown in FIG. 8, wherein the flap is in an open position.

1 Claim, 5 Drawing Sheets



(56)

References Cited

U.S. PATENT DOCUMENTS

- 2,758,646 A * 8/1956 Johnson 160/354
 2,830,331 A * 4/1958 Oakes 49/70
 2,836,150 A * 5/1958 Robinson 119/53
 2,853,231 A * 9/1958 Yorgey et al. 232/43.4
 2,886,861 A * 5/1959 Bartlett 49/402
 3,023,804 A * 3/1962 Howell, Sr. 160/40
 3,091,221 A * 5/1963 Worm 119/484
 3,138,829 A * 6/1964 Grose 49/193
 3,184,803 A * 5/1965 Peel 49/388
 3,226,776 A * 1/1966 Van Wormer 49/70
 D211,861 S * 8/1968 Sproul D25/39
 3,499,246 A * 3/1970 Loukas 49/169
 3,690,299 A * 9/1972 Johnson 119/174
 3,797,554 A * 3/1974 Johnson 160/354
 3,874,118 A * 4/1975 Robinson 49/402
 3,978,616 A * 9/1976 Pennock 49/386
 3,985,174 A * 10/1976 Bricker 160/180
 4,001,970 A * 1/1977 Miyamoto 49/171
 4,022,263 A * 5/1977 Beckett et al. 160/92
 4,043,079 A * 8/1977 Smith 49/394
 4,047,331 A * 9/1977 Davlantes 49/171
 4,118,894 A * 10/1978 Kennedy et al. 49/402
 4,134,232 A * 1/1979 Dodge et al. 49/386
 4,173,099 A * 11/1979 Robb 49/168
 4,217,833 A * 8/1980 Sukolics 109/19
 4,245,776 A * 1/1981 Miner 232/43.3
 4,347,502 A * 8/1982 Holmes et al. 340/545.2
 4,351,247 A * 9/1982 Clark 109/19
 D267,436 S * 12/1982 Thorne D25/48.3
 4,408,416 A * 10/1983 Davlantes 49/168
 4,421,058 A * 12/1983 Paul 119/484
 4,451,997 A * 6/1984 Jones 38/102.2
 4,523,406 A * 6/1985 Kennedy et al. 49/254
 4,603,724 A * 8/1986 Borwick 160/180
 4,651,793 A * 3/1987 Davlantes 160/92
 4,754,797 A * 7/1988 Sronce 160/354
 4,760,872 A * 8/1988 Hale, Jr. 160/90
 4,776,133 A * 10/1988 Green 49/394
 4,840,217 A * 6/1989 Evans, III 160/368.1
 4,856,575 A * 8/1989 Wells 160/353
 4,908,987 A * 3/1990 Dickson et al. 49/169
 4,969,292 A * 11/1990 Reid et al. 49/169
 4,989,546 A * 2/1991 Cannaday 119/484
 4,991,350 A * 2/1991 Kirk 49/169
 D326,914 S * 6/1992 Kirk D25/48.3
 5,117,890 A * 6/1992 Taylor et al. 160/180
 5,161,328 A * 11/1992 Traue 49/171
 5,185,954 A * 2/1993 Waddle, Sr. 49/168
 D334,431 S * 3/1993 Davlantes D25/60
 5,191,747 A * 3/1993 Tengquist et al. 52/36.4
 5,205,224 A * 4/1993 Durst 109/19
 5,261,350 A * 11/1993 Vavrek 119/484
 5,269,097 A * 12/1993 Davlantes 49/169
 5,287,654 A * 2/1994 Davlantes 49/169
 D353,207 S * 12/1994 Davlantes D25/48.3
 5,406,748 A * 4/1995 Davlantes 49/169
 5,535,804 A * 7/1996 Guest 160/180
 5,581,940 A * 12/1996 Peterson 49/169
 D379,233 S * 5/1997 Wright D25/60
 5,645,014 A * 7/1997 Chilcote 119/498
 5,649,500 A * 7/1997 Klavemann et al. 119/452
 5,657,592 A * 8/1997 Davlantes 52/206
 D385,363 S * 10/1997 Sølbeck D25/60
 D391,648 S * 3/1998 Sølbeck D25/60
 D395,710 S * 6/1998 Davlantes D25/60
 5,782,037 A * 7/1998 Davlantes 49/57
 5,785,004 A * 7/1998 Hobbs 119/651
 D406,904 S * 3/1999 Sronce D25/48.3
 5,946,856 A * 9/1999 Davlantes 49/168
 6,151,848 A * 11/2000 Hunter 52/205
 6,164,871 A * 12/2000 Kennedy et al. 405/152
 D445,915 S * 7/2001 Kirk D25/48.3
 D448,088 S * 9/2001 McFee D25/48.3
 6,385,909 B1 * 5/2002 Marsh et al. 49/169
 D468,836 S * 1/2003 McFee D25/48.3
 6,581,668 B1 * 6/2003 Oakley 160/380
 6,681,524 B1 * 1/2004 Tillson 49/169
 6,691,643 B1 * 2/2004 Hollins 119/484
 6,694,683 B2 * 2/2004 Anderson et al. 52/204.5
 7,180,489 B2 * 2/2007 Libby et al. 345/87
 D538,942 S * 3/2007 Grundy D25/48.3
 7,284,502 B1 * 10/2007 Dotter 119/484
 7,444,783 B1 * 11/2008 Hansen et al. 52/101
 7,493,727 B1 * 2/2009 Broussard 49/139
 RE41,502 E * 8/2010 Neaux 52/204.51
 7,984,695 B1 * 7/2011 Shaffer 119/501
 8,074,606 B1 * 12/2011 Schrey et al. 119/484
 D685,532 S * 7/2013 Hampel et al. D30/119
 8,484,896 B1 * 7/2013 Skubiak, Jr. 49/169
 8,490,671 B1 * 7/2013 Spencer 160/180
 8,631,605 B1 * 1/2014 Davenport 49/169
 8,833,308 B1 * 9/2014 Patterson 119/602
 8,854,215 B1 * 10/2014 Ellis 340/573.3
 8,919,043 B2 * 12/2014 Jincheleau et al. 49/380
 2002/0011217 A1 * 1/2002 Brooks 119/481
 2003/0233802 A1 * 12/2003 Lethers 52/458
 2004/0113796 A1 * 6/2004 Noyes 340/573.3
 2004/0163316 A1 * 8/2004 Johnson et al. 49/169
 2004/0168387 A1 * 9/2004 Nelson 52/344
 2005/0039694 A1 * 2/2005 Johnson 119/501
 2005/0050833 A1 * 3/2005 Spray 52/716.2
 2005/0066578 A1 * 3/2005 Vaccari 49/169
 2005/0091925 A1 * 5/2005 Vaccari et al. 49/169
 2005/0126092 A1 * 6/2005 Guy 52/204.51
 2005/0161000 A1 * 7/2005 Noyes 119/484
 2005/0198901 A1 * 9/2005 Solowiej 49/167
 2005/0263091 A1 * 12/2005 Knapp 119/484
 2005/0284401 A1 * 12/2005 Dawes 119/484
 2006/0000059 A1 * 1/2006 Johnson 16/275
 2006/0101738 A1 * 5/2006 Lethers et al. 52/204.51
 2006/0118059 A1 * 6/2006 Turner 119/484
 2006/0179719 A1 * 8/2006 Christie 49/169
 2006/0252366 A1 * 11/2006 Eu 455/3.06
 2007/0175097 A1 * 8/2007 Thorne et al. 49/169
 2007/0181271 A1 * 8/2007 Earnest 160/368.1
 2007/0204514 A1 * 9/2007 Grimmett 49/169
 2007/0227462 A1 * 10/2007 Huff 119/484
 2008/0047500 A1 * 2/2008 Conway 119/652
 2008/0134584 A1 * 6/2008 McGhee 49/484.1
 2008/0163550 A1 * 7/2008 Lomax et al. 49/169
 2008/0168712 A1 * 7/2008 McDermott 49/169
 2008/0184625 A1 * 8/2008 Bjorholm et al. 49/371
 2008/0184940 A1 * 8/2008 Bosserdet et al. 119/484
 2009/0044760 A1 * 2/2009 Kodat 119/719
 2009/0188435 A1 * 7/2009 Hale, Jr. 119/484
 2009/0255481 A1 * 10/2009 Bosserdet et al. 119/484
 2009/0260294 A1 * 10/2009 Sullivan 49/394
 2009/0265995 A1 * 10/2009 Bramauer 49/380
 2009/0293363 A1 * 12/2009 Flannery 49/55
 2010/0116219 A1 * 5/2010 Noyes 119/484
 2010/0126071 A1 * 5/2010 Hill 49/70
 2010/0236491 A1 * 9/2010 Rogge et al. 119/437
 2010/0242854 A1 * 9/2010 Seger et al. 119/484
 2010/0269413 A1 * 10/2010 Sullivan 49/171
 2010/0328030 A1 * 12/2010 Hill 340/5.61
 2011/0219693 A1 * 9/2011 Bosserdet, Jr. 49/168
 2012/0167511 A1 * 7/2012 Laudenklos 52/386
 2012/0317885 A1 * 12/2012 Royer et al. 49/380
 2013/0036672 A1 * 2/2013 Westerfield 49/62
 2013/0305609 A1 * 11/2013 Graves 49/168
 2013/0305636 A1 * 11/2013 Ward et al. 52/204.1
 2014/0033639 A1 * 2/2014 Walther 52/745.16

OTHER PUBLICATIONS

- Small Pet Door Replacement Flap, www.radiofence.com, 2015, one page.*
 Sure Flap Pet Doors, [sureflap website](http://sureflap.com), 2015, one page.*
 Animal Door Flap Protector, fire protection products inc. website, 2015, 1 page.*
 Cat Mate Cat Flap, www.petplanet.co.uk, 2015, one page.*
 Dog Mate Electromagnetic Pet Flap Door, [amazon website](http://amazon.com), 2015, one page.*

* cited by examiner

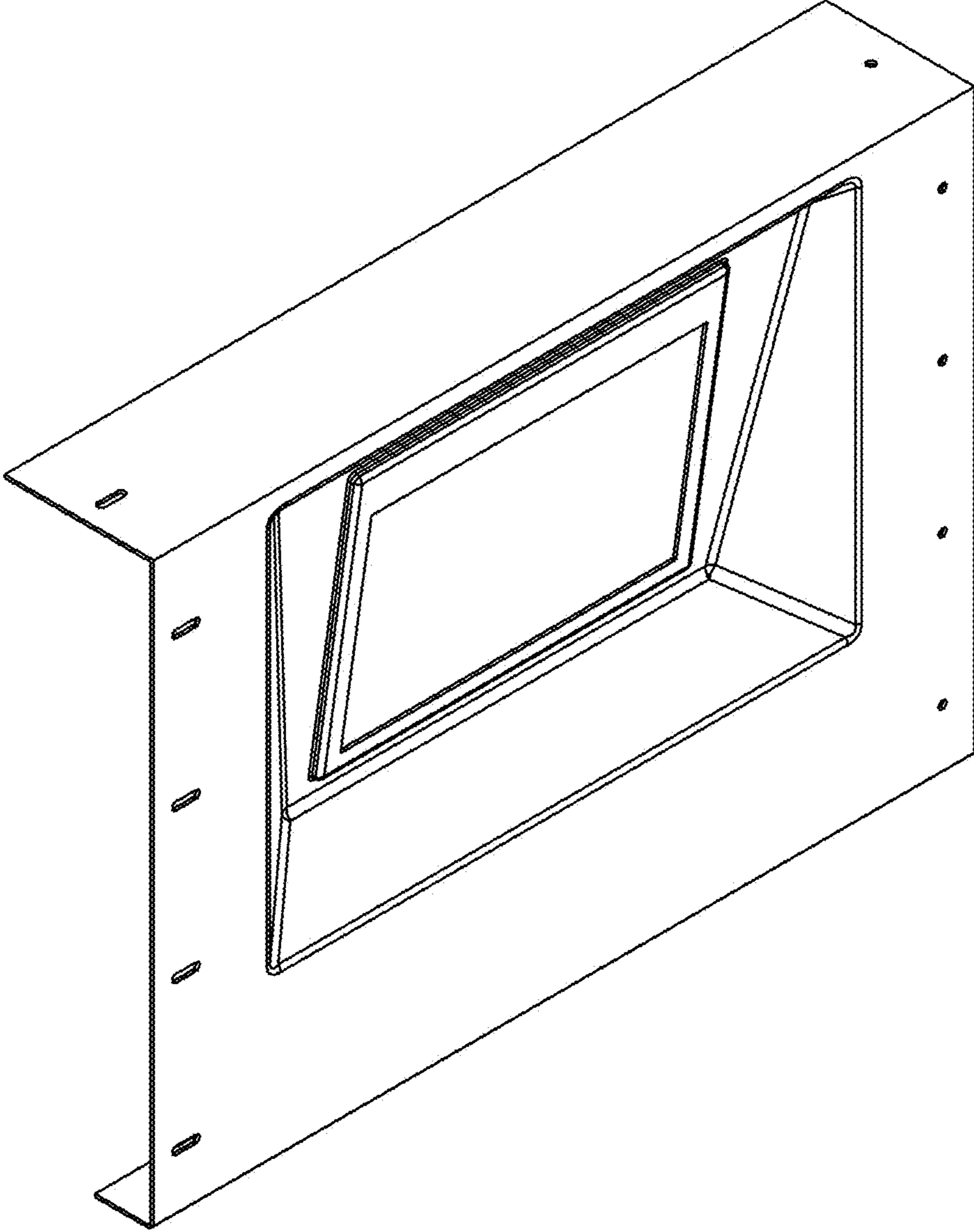


Fig. 1

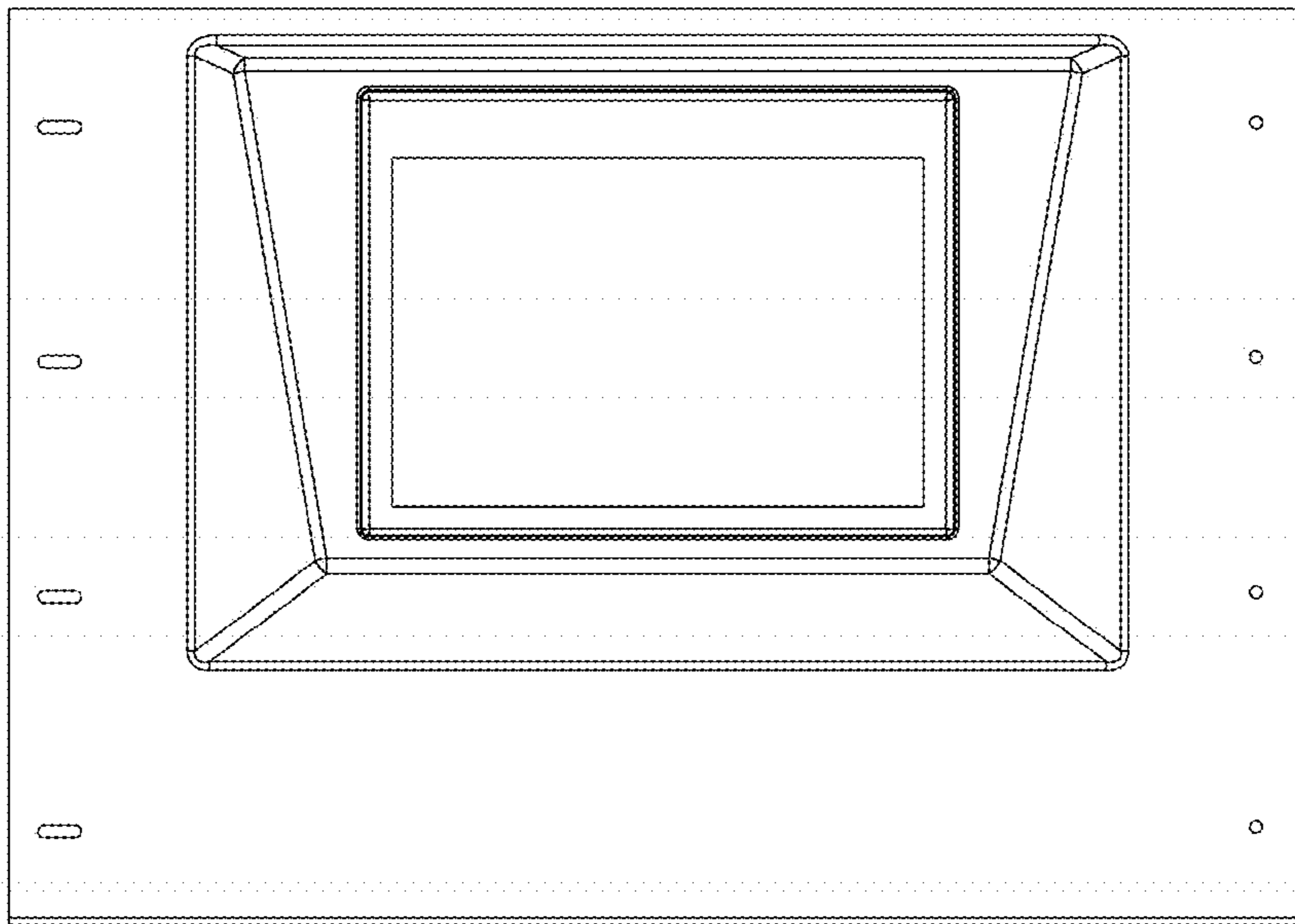


Fig. 2

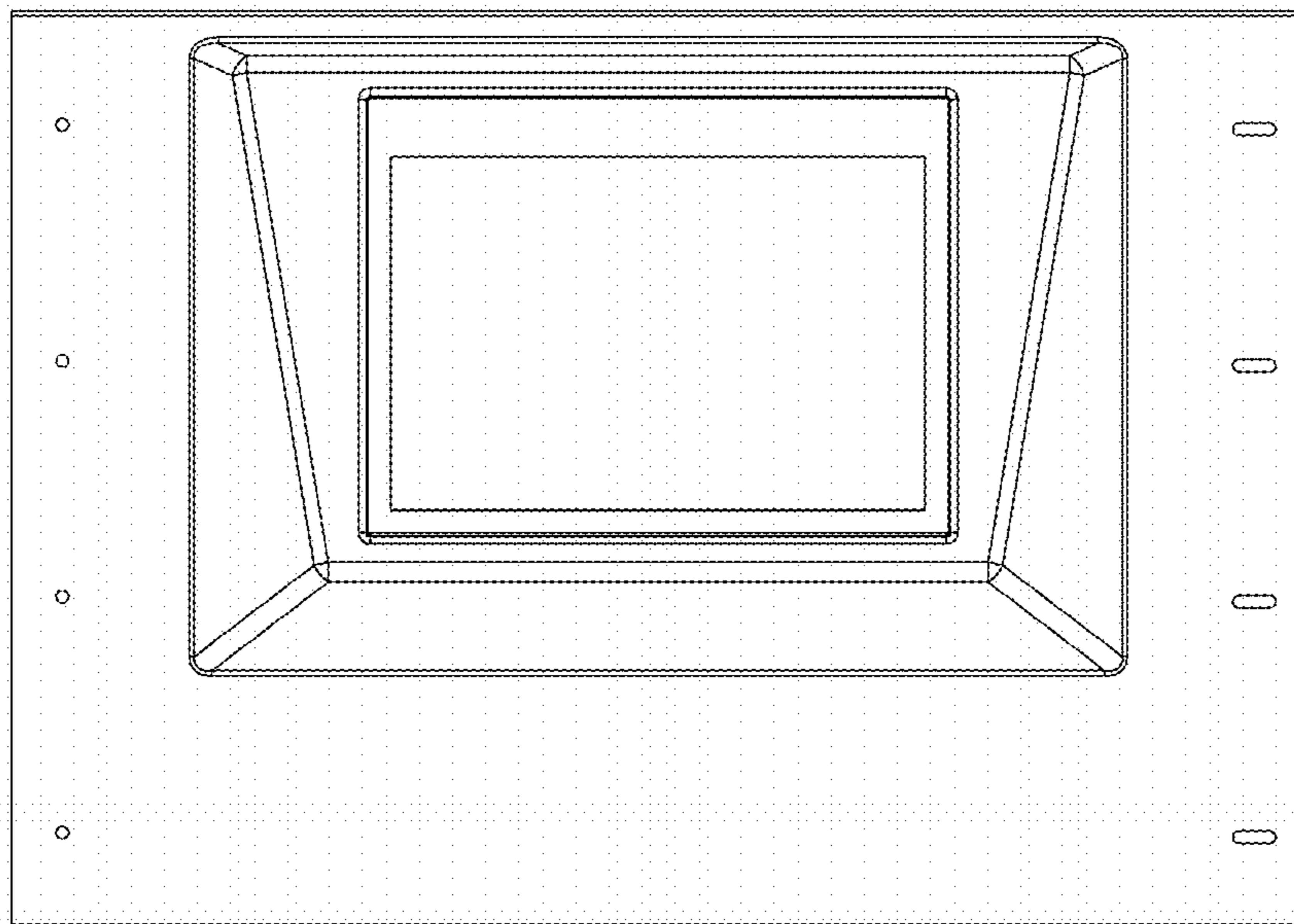


Fig. 3

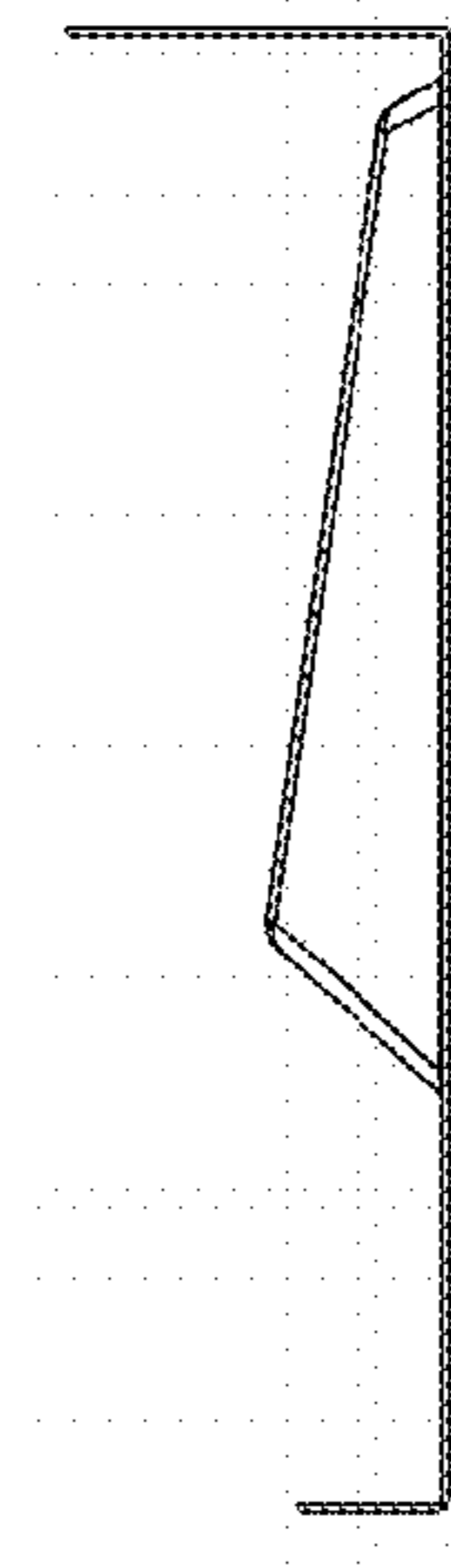


Fig. 4

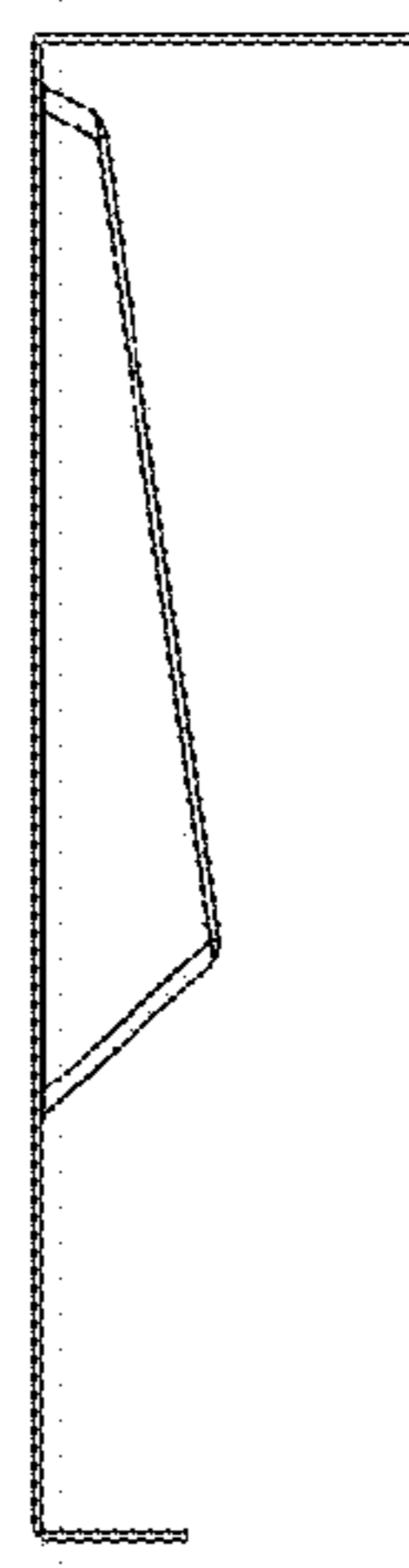


Fig. 5

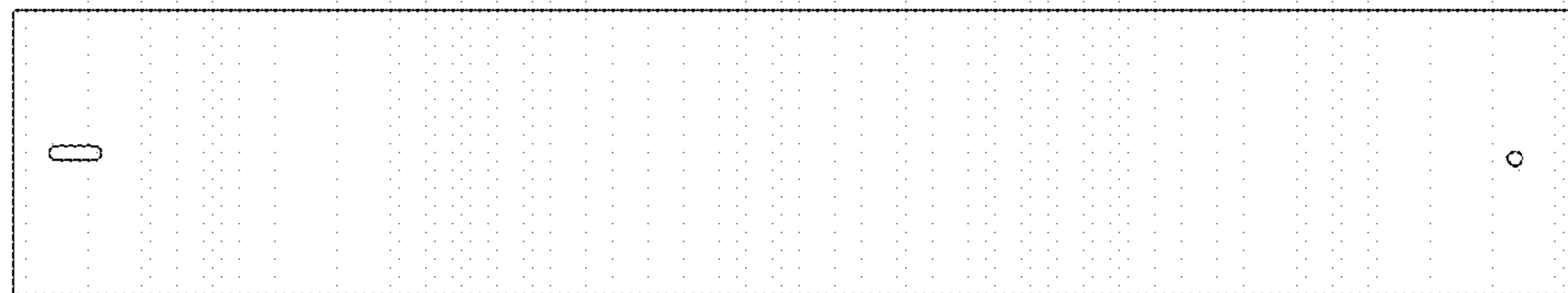


Fig. 6

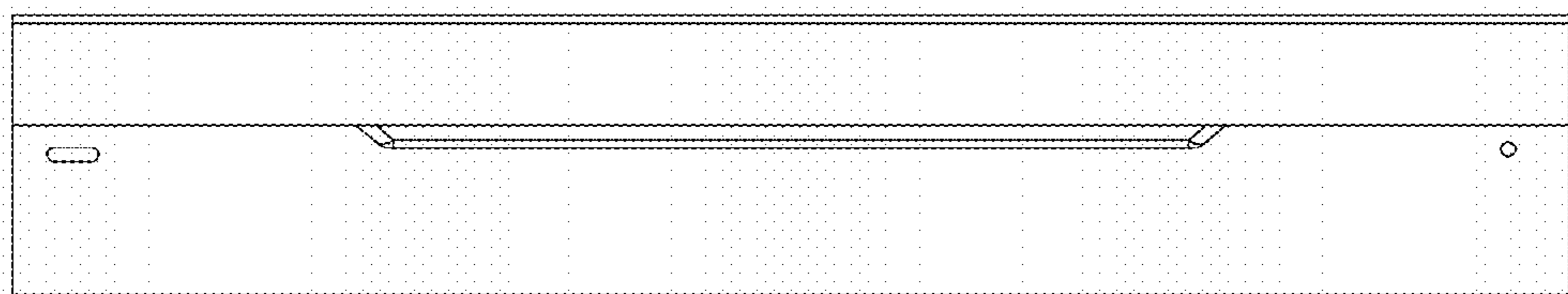


Fig. 7

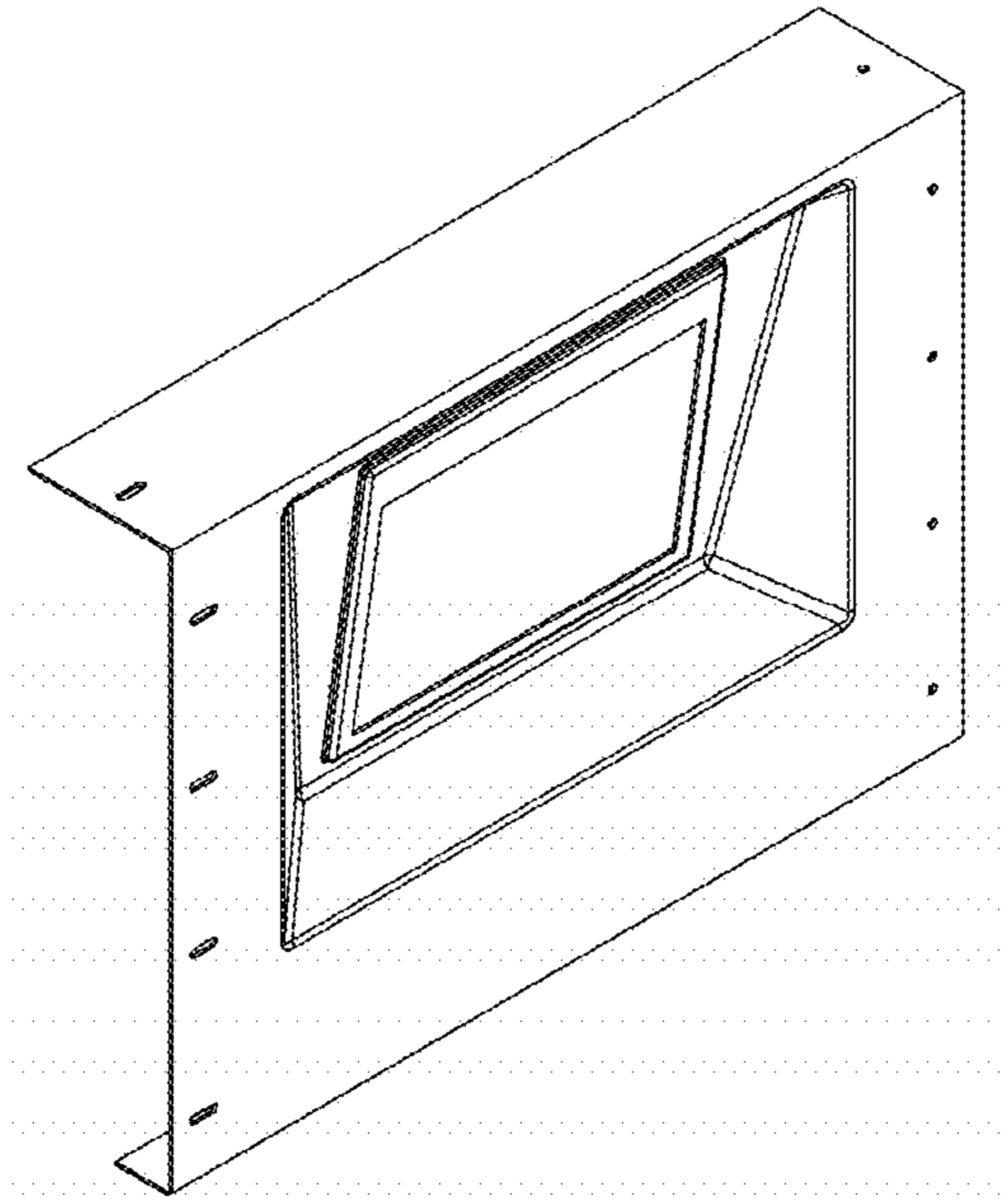


Fig. 8

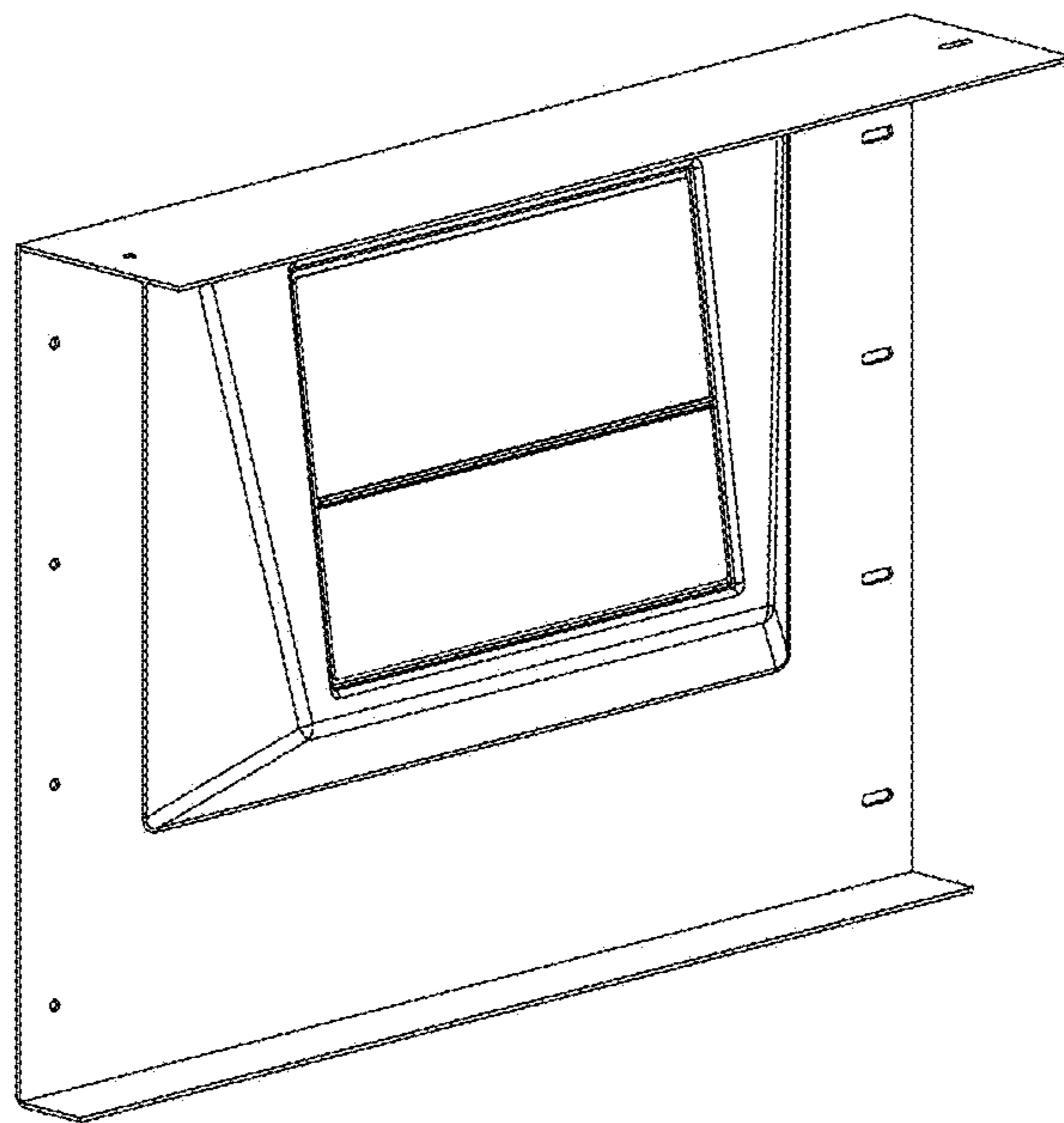


Fig. 9

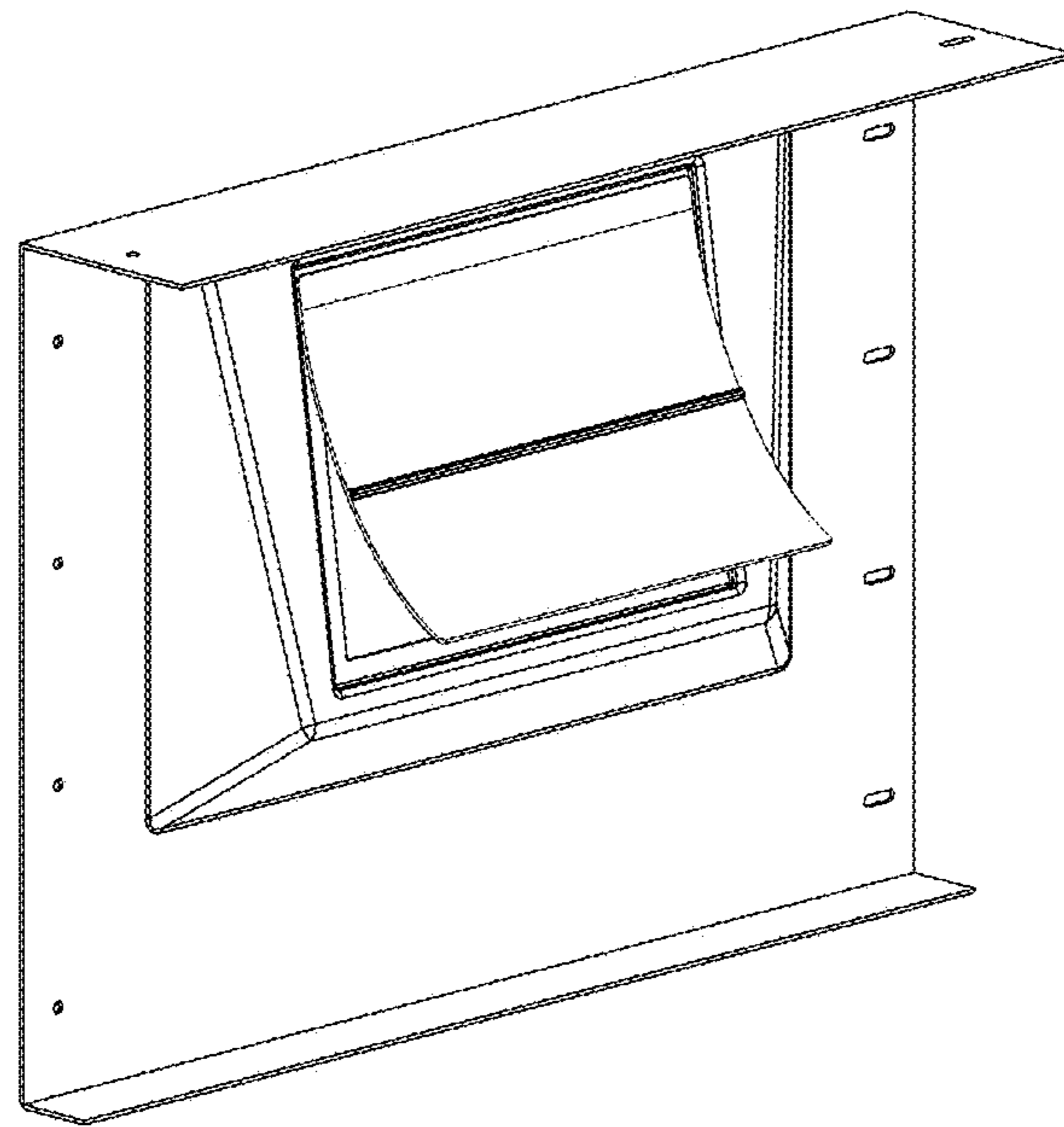


Fig. 10