



US00D743048S

(12) **United States Design Patent**
Kuran

(10) **Patent No.:** **US D743,048 S**

(45) **Date of Patent:** **** Nov. 10, 2015**

(54) **MULTIPLE BLOOD PRESSURE CUFFS
HOLDER**

(71) Applicant: **Dominic Kuran**, Raynham, MA (US)

(72) Inventor: **Dominic Kuran**, Raynham, MA (US)

(**) Term: **14 Years**

(21) Appl. No.: **29/490,474**

(22) Filed: **May 9, 2014**

(51) **LOC (10) Cl.** **24-00**

(52) **U.S. Cl.**
USPC **D24/231**

(58) **Field of Classification Search**
USPC D24/231, 169; D9/414; D13/154, 155;
D6/328, 552, 323, 327; D28/73;
D8/356

See application file for complete search history.

(56) **References Cited**

U.S. PATENT DOCUMENTS

407,560	A	7/1889	Wilson et al.	
2,028,694	A	1/1936	Spinks	
2,142,019	A	12/1938	Warner	
2,508,945	A	5/1950	Heuer	
D188,221	S	6/1960	Maro	
3,217,891	A	11/1965	Weaver	
3,421,632	A	1/1969	Wood	
3,635,433	A	1/1972	Anderson	
D241,107	S	8/1976	Ferrara, Jr. et al.	
D262,504	S	1/1982	Flynn	
D272,787	S	2/1984	Rumbaugh	
4,579,230	A	4/1986	Reid, Jr.	
D289,110	S	4/1987	Wagner et al.	
D324,785	S *	3/1992	Kleinke	D6/328
D340,607	S	10/1993	Hubbard	
D347,538	S	6/1994	Fleischer	
D354,874	S	1/1995	Burch	
D379,509	S	5/1997	Macko	
D403,869	S	1/1999	Harmon et al.	
D404,952	S *	2/1999	Bauer	D6/552
D410,767	S *	6/1999	Carroll	D28/73

D414,210	S	9/1999	Davis	
D428,533	S *	7/2000	Carroll	D28/73
6,652,120	B2	11/2003	Gordon et al.	
D524,146	S	7/2006	Jolson	
D549,467	S	8/2007	Holt	
D583,476	S *	12/2008	Kato	D24/169
D586,567	S *	2/2009	Heroux	D6/323
D587,102	S *	2/2009	Morgan	D8/356
D589,782	S *	4/2009	Rowell et al.	D8/356
D606,323	S *	12/2009	Heroux	D6/323
D632,898	S *	2/2011	Heroux	D6/327
D638,692	S *	5/2011	Hoek	D8/356
D639,145	S *	6/2011	Hoek	D8/356
D640,527	S *	6/2011	Hoek	D8/356
D657,869	S	4/2012	Mammen	
D661,179	S *	6/2012	Henrichsmeyer et al.	D9/414
D663,986	S	7/2012	Kirchner-Gottschalk	
8,342,459	B2	1/2013	Garrison et al.	
D705,740	S *	5/2014	Liang et al.	D13/155
D706,224	S *	6/2014	Kimura et al.	D13/154

* cited by examiner

Primary Examiner — Holly Baynham

Assistant Examiner — Rhea Shields

(74) *Attorney, Agent, or Firm* — John P. McGonagle

(57) **CLAIM**

The ornamental design for a multiple blood pressure cuffs holder, as shown and described.

DESCRIPTION

FIG. 1 is a perspective view of a multiple blood pressure cuffs holder showing my new design with five channel cuff holder openings;

FIG. 2 is a rear view thereof;

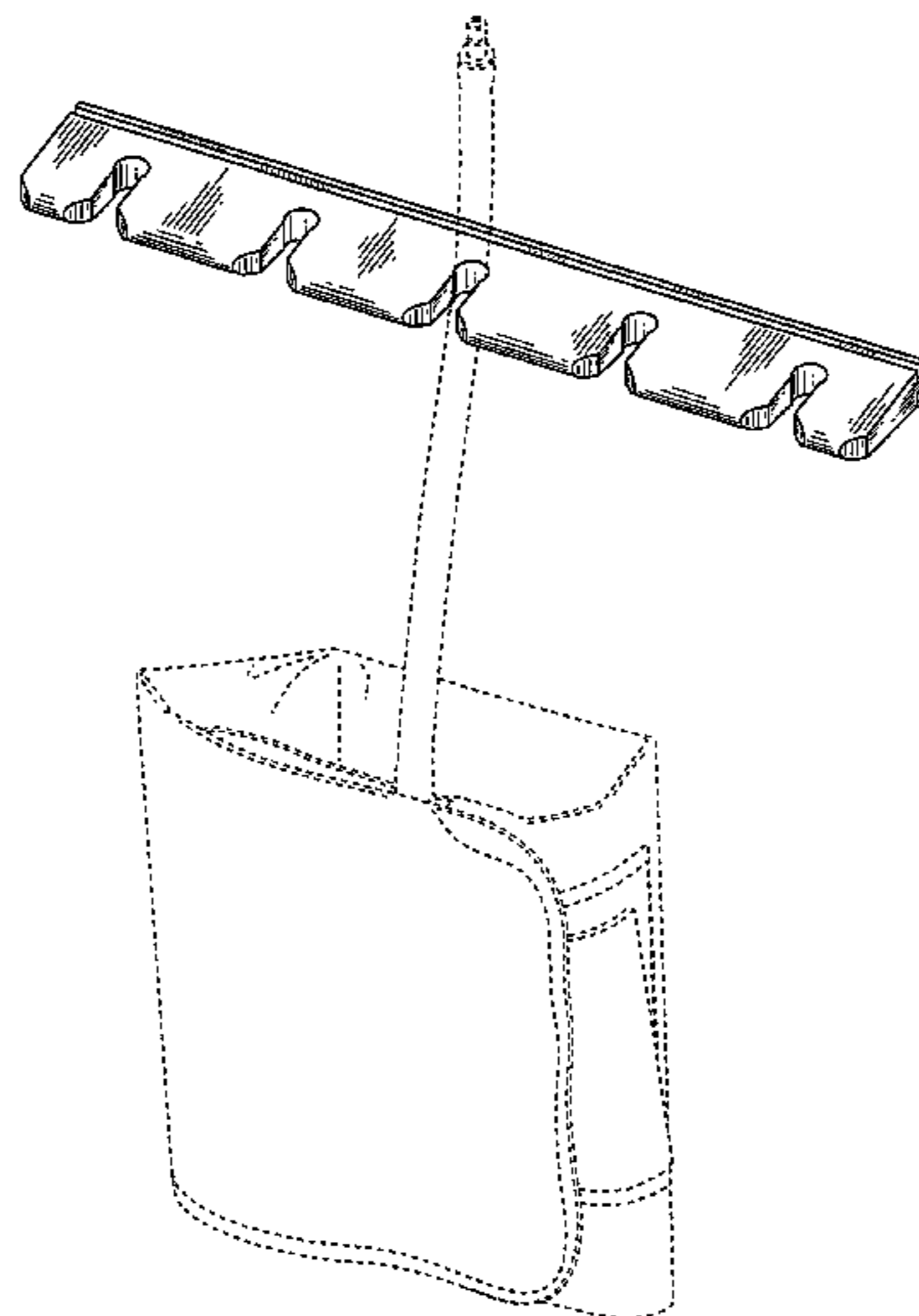
FIG. 3 is a side view thereof, the opposite side being a mirror image thereof;

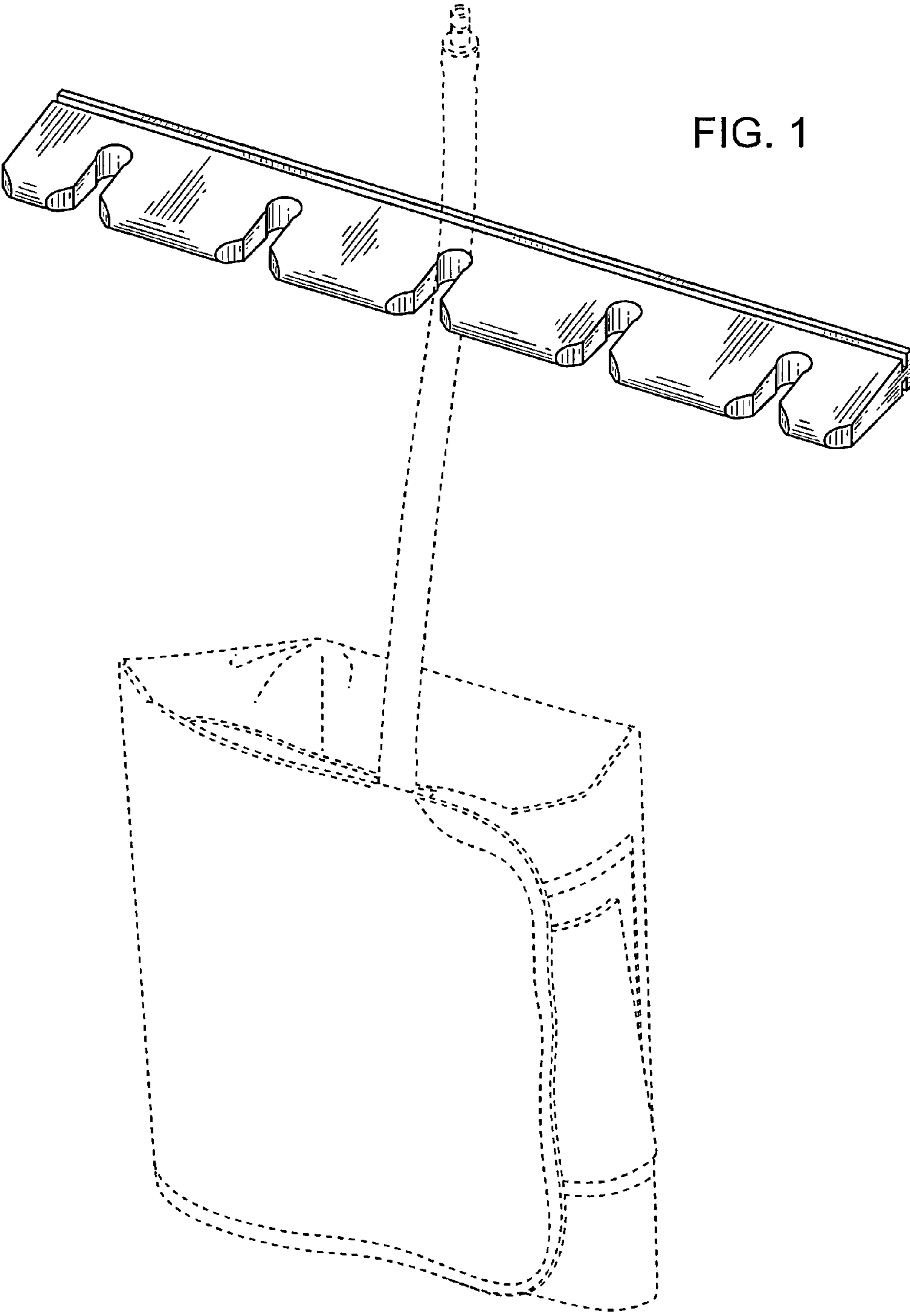
FIG. 4 is a top view thereof, the opposite side being a mirror image thereof; and,

FIG. 5 is a front view thereof.

In the drawings, the broken lines depict unclaimed subject matter only and form no part of the claimed design.

1 Claim, 2 Drawing Sheets





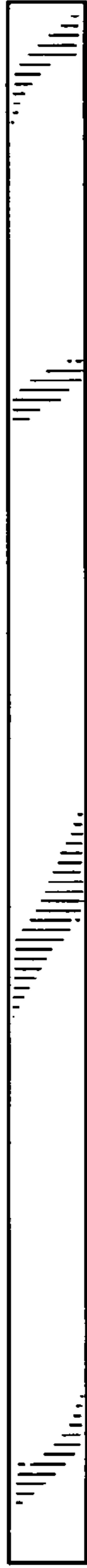


FIG. 2

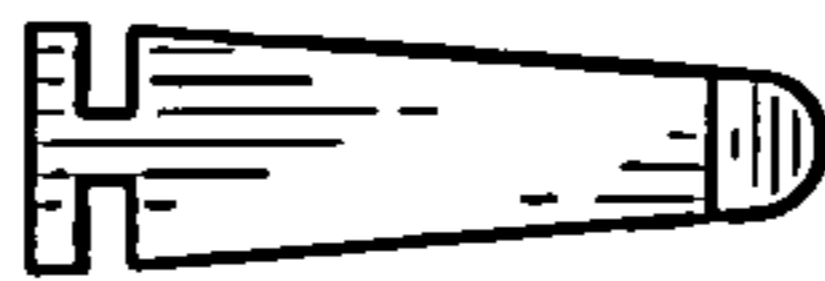


FIG. 3

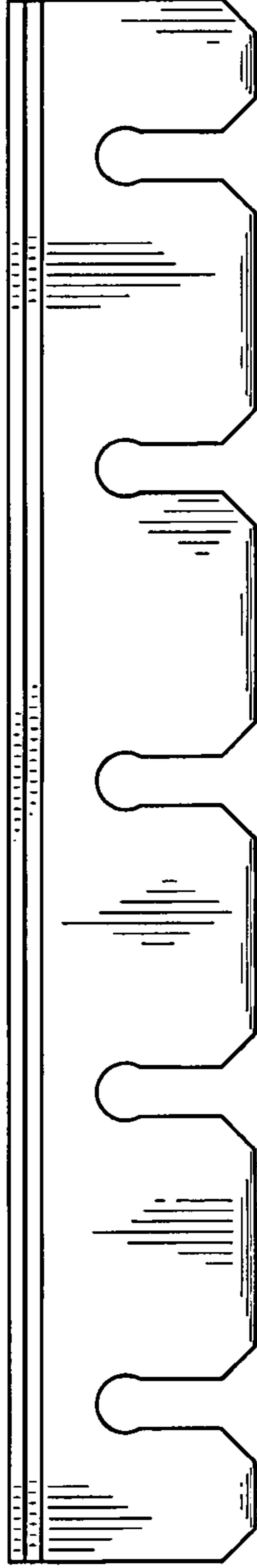


FIG. 4



FIG. 5